



US00D781975S

(12) **United States Design Patent**  
**Kurov**

(10) **Patent No.:** **US D781,975 S**  
(45) **Date of Patent:** **\*\* Mar. 21, 2017**

- (54) **HOCKEY STICK PROTECTOR**
- (71) Applicant: **Evgenii Kurov**, Saint-Petersburg (RU)
- (72) Inventor: **Evgenii Kurov**, Saint-Petersburg (RU)
- (\*\*) Term: **15 Years**
- (21) Appl. No.: **29/540,923**
- (22) Filed: **Sep. 29, 2015**

- 5,127,649 A \* 7/1992 Carbonero ..... A63B 71/0054  
473/563
  - 5,388,288 A \* 2/1995 Fell, Sr. .... F16L 41/021  
138/90
  - 5,558,326 A \* 9/1996 Adamson ..... B29C 61/0608  
473/563
  - D374,941 S \* 10/1996 Venegas, Jr. .... D25/126
  - 5,577,607 A \* 11/1996 Drake ..... A45D 1/00  
150/161
  - 5,605,325 A \* 2/1997 Haringa ..... A63B 69/0002  
473/457
  - D426,898 S \* 6/2000 Venegas, Jr. .... D25/126
- (Continued)

**Related U.S. Application Data**

- (62) Division of application No. 29/506,003, filed on Oct. 11, 2014.
- (51) **LOC (10) Cl.** ..... **21-02**
- (52) **U.S. Cl.**  
USPC ..... **D21/754**
- (58) **Field of Classification Search**  
USPC ..... D21/727, 753, 754  
CPC . A63B 59/70; A63B 69/0026; A63B 2102/24;  
A63B 60/00; A63B 60/46; A63B  
2102/22; B29C 63/42  
See application file for complete search history.

*Primary Examiner* — Mitchell Siegel

(74) *Attorney, Agent, or Firm* — Inventa Capital PLC

(57) **CLAIM**

I claim the ornamental design for a hockey stick protector, as shown and described.

**DESCRIPTION**

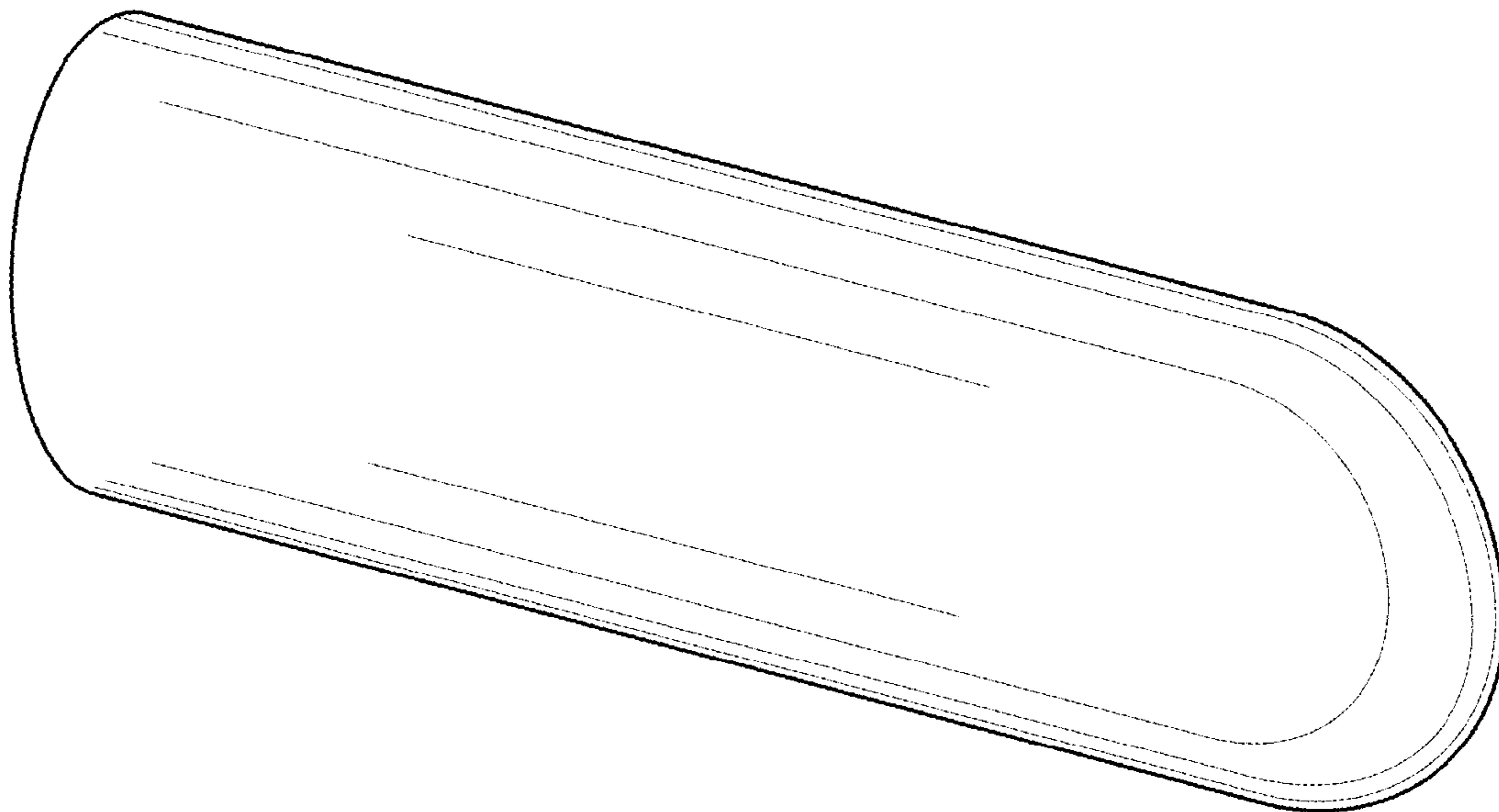
FIG. 1 is a perspective view of a hockey stick protector of the present invention;  
 FIG. 2 is a front view of the hockey stick protector,  
 FIG. 3 is a rear view of the hockey stick protector;  
 FIG. 4 is a front view of the hockey stick protector;  
 FIG. 5 is another side view of the hockey stick protector;  
 FIG. 6 is a reduced side view of the hockey stick protector conforming to an unclaimed hockey stick; and,  
 FIG. 7 is a reduced side view of the hockey stick protector conforming to and disclosing unclaimed indicia on an unclaimed hockey stick.  
 The broken line showing is included for the purpose of illustrating and forms no part of the claimed design.

**1 Claim, 2 Drawing Sheets**

(56) **References Cited**

**U.S. PATENT DOCUMENTS**

- 1,985,733 A \* 12/1934 Koester ..... G01K 5/326  
285/239
- 2,912,245 A \* 11/1959 Gardner ..... A63B 59/70  
264/263
- 3,708,610 A \* 1/1973 Kozel ..... H02G 5/005  
174/117 FF
- 4,440,835 A \* 4/1984 Vignaud ..... H01M 4/8626  
429/522
- 4,651,990 A \* 3/1987 Profit ..... A63B 59/70  
150/154
- D291,627 S \* 9/1987 Collins ..... D3/219



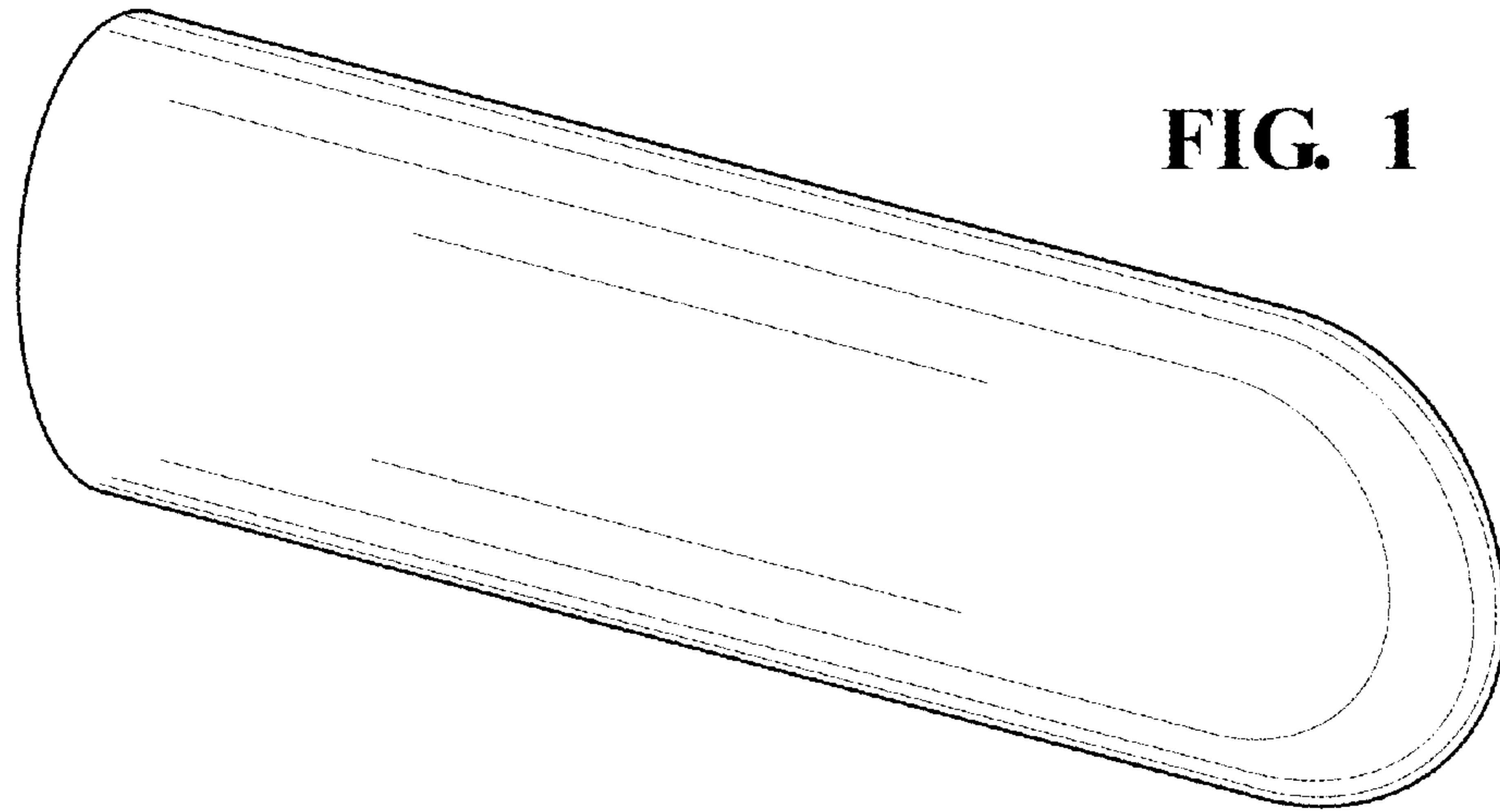
(56)

**References Cited**

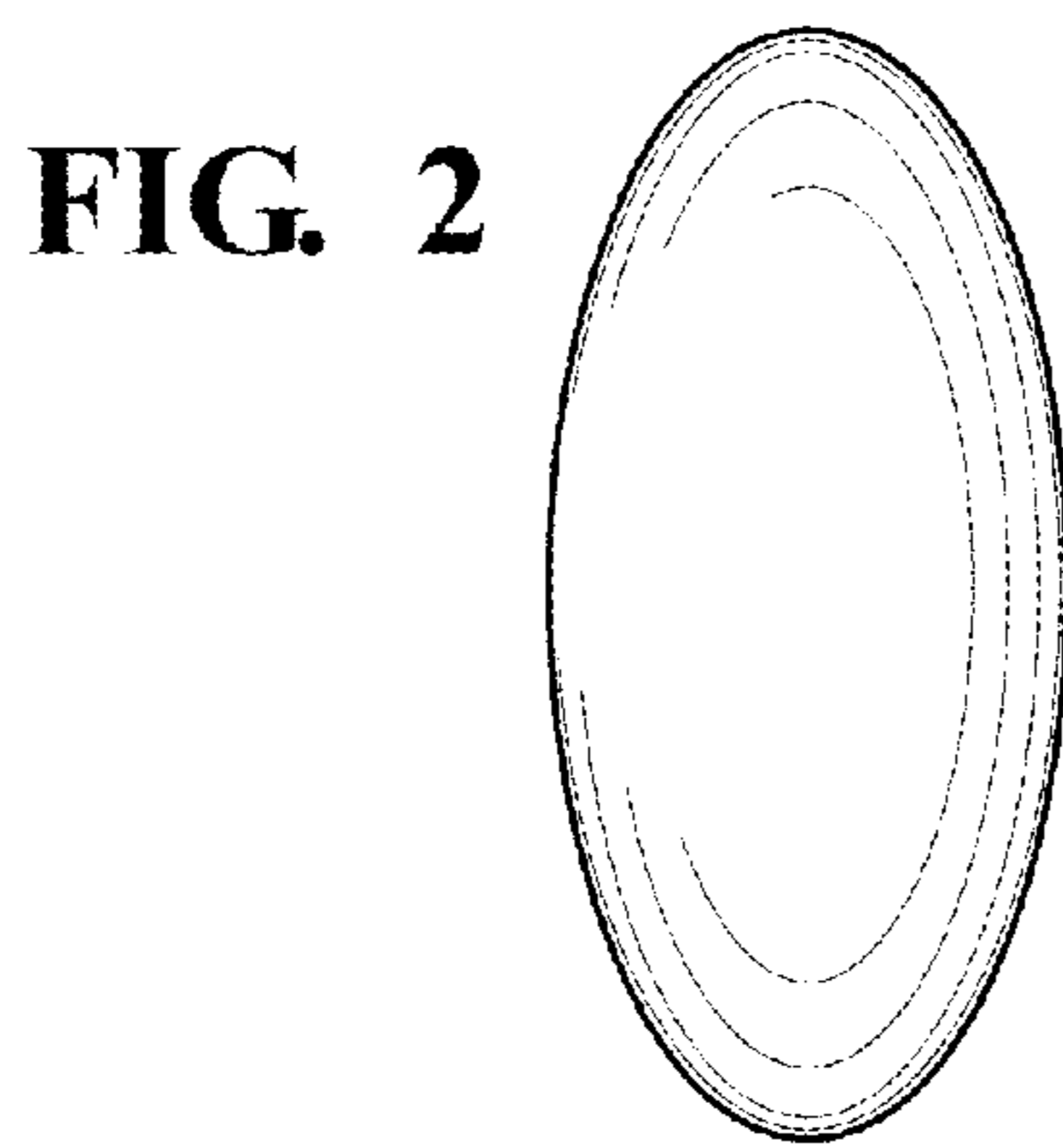
U.S. PATENT DOCUMENTS

6,273,835 B1 \* 8/2001 Battis ..... A63B 59/70  
473/563  
D465,585 S \* 11/2002 Venegas, Jr. .... D25/126  
6,612,944 B1 \* 9/2003 Bureau ..... A63B 60/58  
206/315.1  
D506,797 S \* 6/2005 Carbonero ..... D21/754  
6,984,186 B2 \* 1/2006 Bureau ..... A63B 60/58  
206/315.1  
D534,408 S \* 1/2007 Sultan ..... D8/70  
D535,169 S \* 1/2007 Sultan ..... D8/70  
D535,538 S \* 1/2007 Sultan ..... D8/70  
D538,620 S \* 3/2007 Sultan ..... D8/70

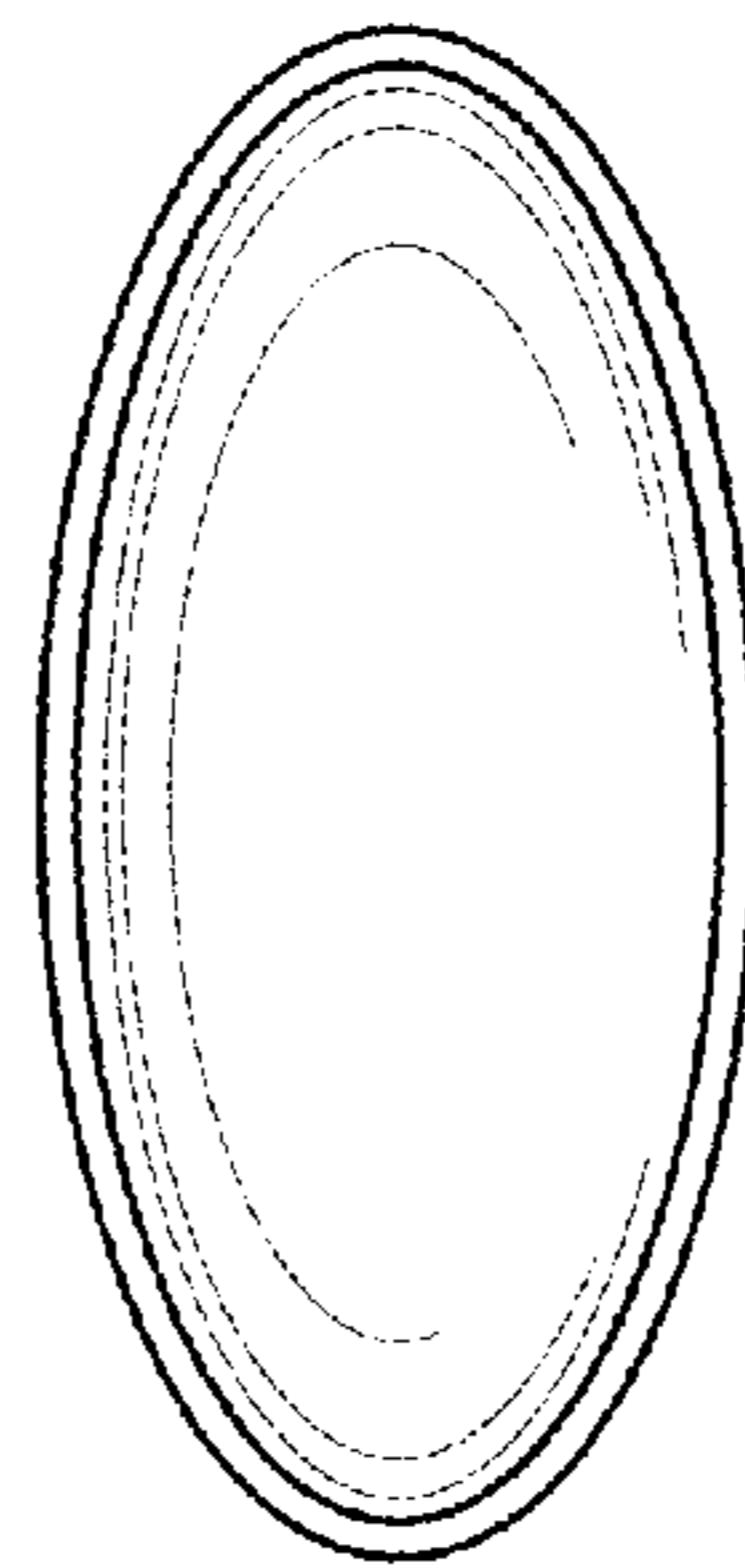
\* cited by examiner



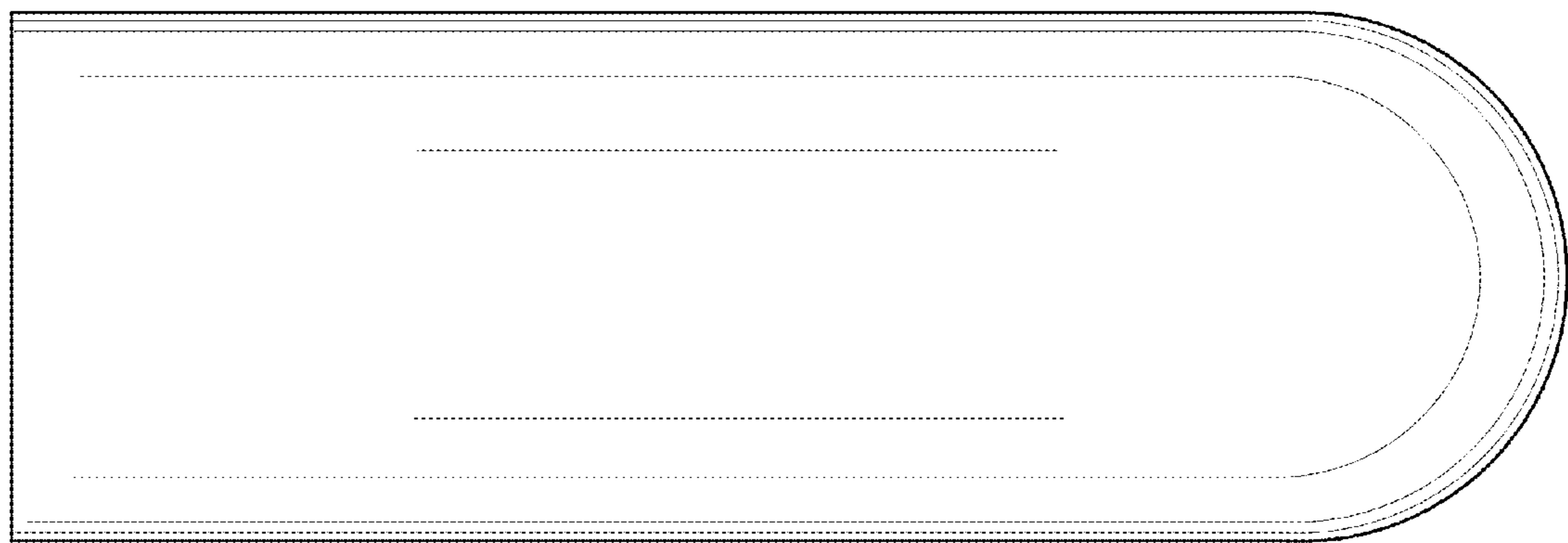
**FIG. 1**



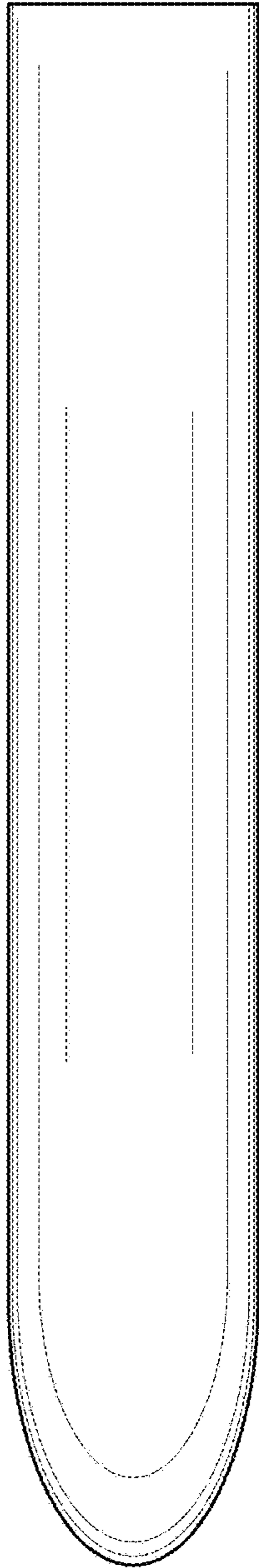
**FIG. 2**



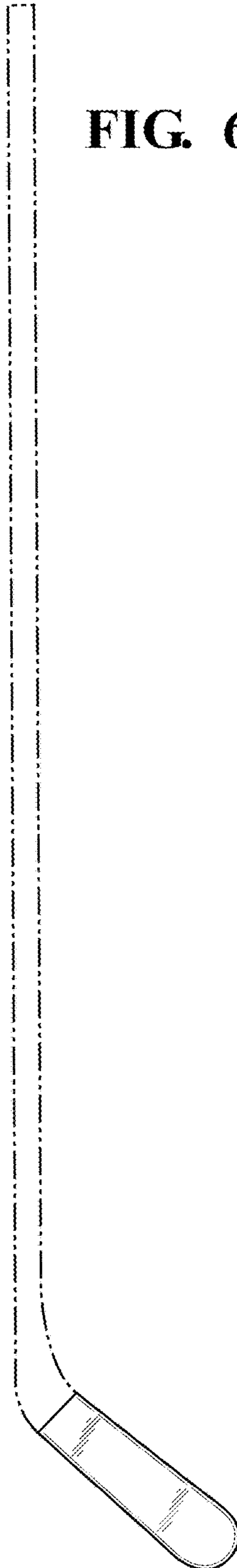
**FIG. 3**



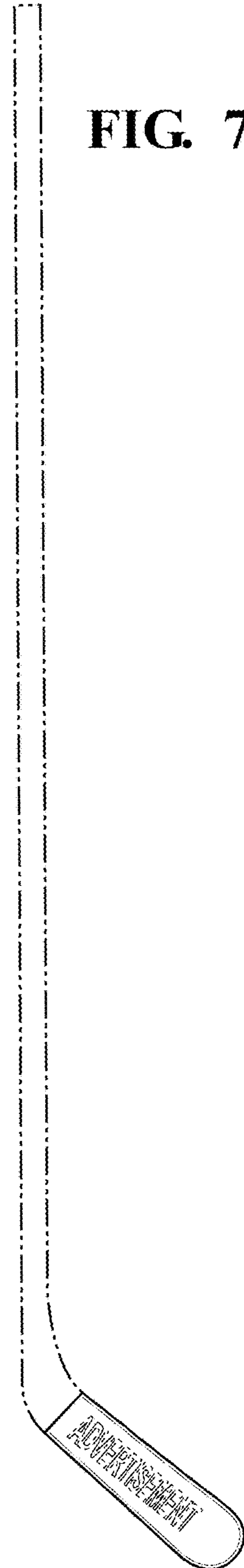
**FIG. 4**



**FIG. 5**



**FIG. 6**



**FIG. 7**