



US00D781971S

(12) **United States Design Patent** (10) **Patent No.:** **US D781,971 S**
Hsieh (45) **Date of Patent:** **** Mar. 21, 2017**

(54) **STATIONARY EXERCISE BICYCLE FRAME**

(71) Applicant: **Paradigm Health and Wellness, Inc.**,
City of Industry, CA (US)

(72) Inventor: **Jackson Hsieh**, City of Industry, CA
(US)

(73) Assignee: **Paradigm Health and Wellness, Inc.**,
City of Industry, CA (US)

(**) Term: **14 Years**

(21) Appl. No.: **29/522,462**

(22) Filed: **Mar. 31, 2015**

(51) **LOC (10) Cl.** **21-02**

(52) **U.S. Cl.**
USPC **D21/663**

(58) **Field of Classification Search**
USPC D21/663, 667, 666, 697, 694, 665, 668,
D21/664; 482/61, 57, 58, 127, 133, 51, 9,
482/60, 904, 8, 1, 900, 63, 908, 59, 62,
482/64,
482/53; 74/502.4, 502.6, 594.2, 594.1,
74/48; D12/178, 411, 345; D23/382,
D23/381, 378, 412, 411; D13/115;
D15/7
CPC ... A63B 22/0605; A63B 69/16; A63B 21/225;
Y10T 74/2078; Y10T 74/20822
See application file for complete search history.

(56) **References Cited**

U.S. PATENT DOCUMENTS

5,423,728	A *	6/1995	Goldberg	A63B 22/0605 482/57
D382,924	S *	8/1997	Wu	D21/667
D382,925	S *	8/1997	Wu	D21/667
D465,818	S *	11/2002	Goldberg	D21/694
D473,274	S *	4/2003	Baudhuin	D21/697

(Continued)

Primary Examiner — Robert M Spear

Assistant Examiner — Ryan Harvey

(74) *Attorney, Agent, or Firm* — Fox Rothschild LLP

(57) **CLAIM**

The ornamental design for a stationary exercise bicycle frame, as shown and described.

DESCRIPTION

FIG. 1 is an isometric view of a stationary exercise bicycle frame according to a first embodiment of the present invention.

FIG. 2 is a left side view of the stationary exercise bicycle frame shown in FIG. 1.

FIG. 3 is a right side view of the stationary exercise bicycle frame shown in FIG. 1.

FIG. 4 is a front elevation view of the stationary exercise bicycle frame shown in FIG. 1.

FIG. 5 is a rear elevation view of the stationary exercise bicycle frame shown in FIG. 1.

FIG. 6 is a top plan view of the stationary exercise bicycle frame shown in FIG. 1.

FIG. 7 is a bottom plan view of the stationary exercise bicycle frame shown in FIG. 1.

FIG. 8 is an isometric view of a stationary exercise bicycle frame according to a second embodiment of the present invention.

FIG. 9 is a left side view of the stationary exercise bicycle frame shown in FIG. 8.

FIG. 10 is a right side view of the stationary exercise bicycle frame shown in FIG. 8.

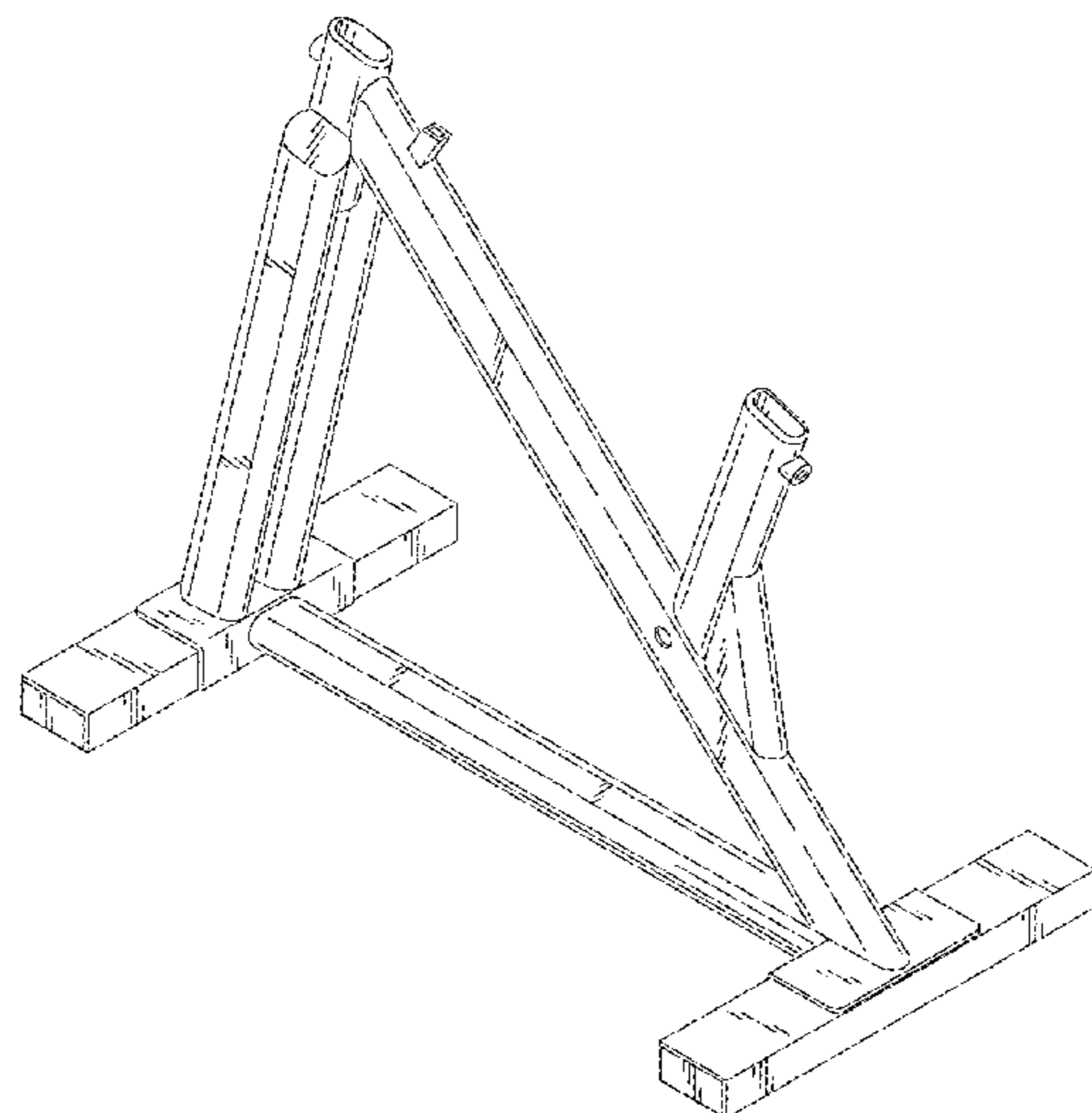
FIG. 11 is a front elevation view of the stationary exercise bicycle frame shown in FIG. 8.

FIG. 12 is a rear elevation view of the stationary exercise bicycle frame shown in FIG. 8.

FIG. 13 is a top plan view of the stationary exercise bicycle frame shown in FIG. 8; and,

FIG. 14 is a bottom plan view of the stationary exercise bicycle frame shown in FIG. 8.

1 Claim, 10 Drawing Sheets



(56)

References Cited

U.S. PATENT DOCUMENTS

D473,602 S * 4/2003 Baudhuin D21/667
 D474,252 S * 5/2003 Lull D21/697
 6,612,970 B2 * 9/2003 Forcillo A63B 21/015
 482/57
 6,881,178 B1 * 4/2005 Goldberg A63B 22/0605
 482/57
 D507,313 S * 7/2005 Goldberg D21/697
 D533,237 S * 12/2006 Lassanske D21/667
 7,413,530 B2 * 8/2008 Warner A63B 21/157
 482/57
 D649,203 S * 11/2011 Zhang D21/667
 8,052,581 B1 * 11/2011 Lohr A63B 21/015
 482/63
 D677,349 S * 3/2013 Baudhuin D21/667
 D677,351 S * 3/2013 Baudhuin D21/697
 D677,746 S * 3/2013 Baudhuin D21/667
 D677,747 S * 3/2013 Baudhuin D21/697
 D679,765 S * 4/2013 Baudhuin D21/697
 D682,371 S * 5/2013 Baudhuin D21/667
 D682,954 S * 5/2013 Cornejo D21/667
 D684,223 S * 6/2013 Cornejo D21/667
 D709,566 S * 7/2014 Baudhuin D21/667
 D709,567 S * 7/2014 Baudhuin D21/697
 2005/0221961 A1 * 10/2005 Forcillo A63B 21/225
 482/57
 2008/0033311 A1 * 2/2008 Sledge A61B 5/024
 600/509
 2012/0088637 A1 * 4/2012 Lull A63B 21/015
 482/57

* cited by examiner

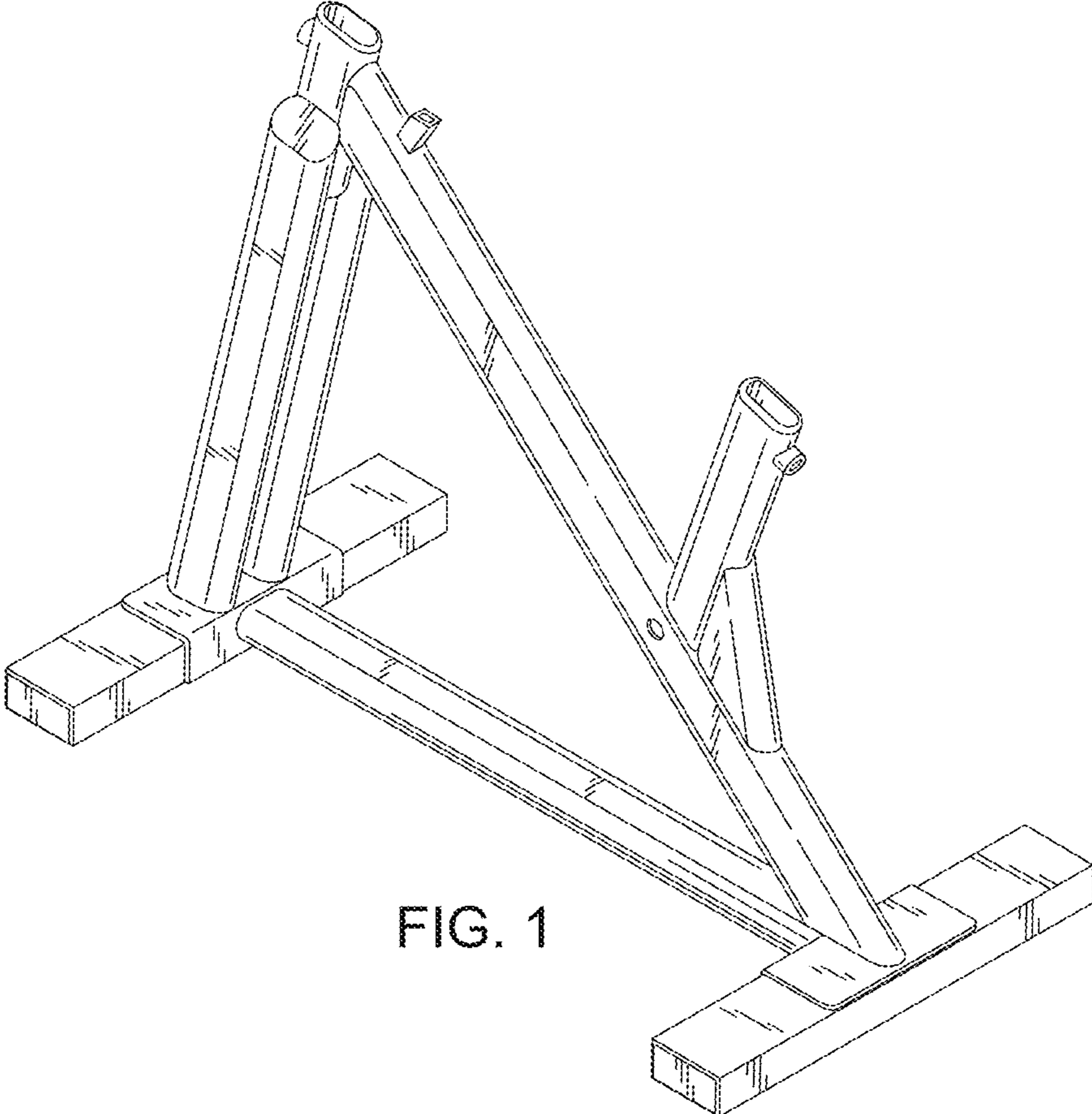


FIG. 1

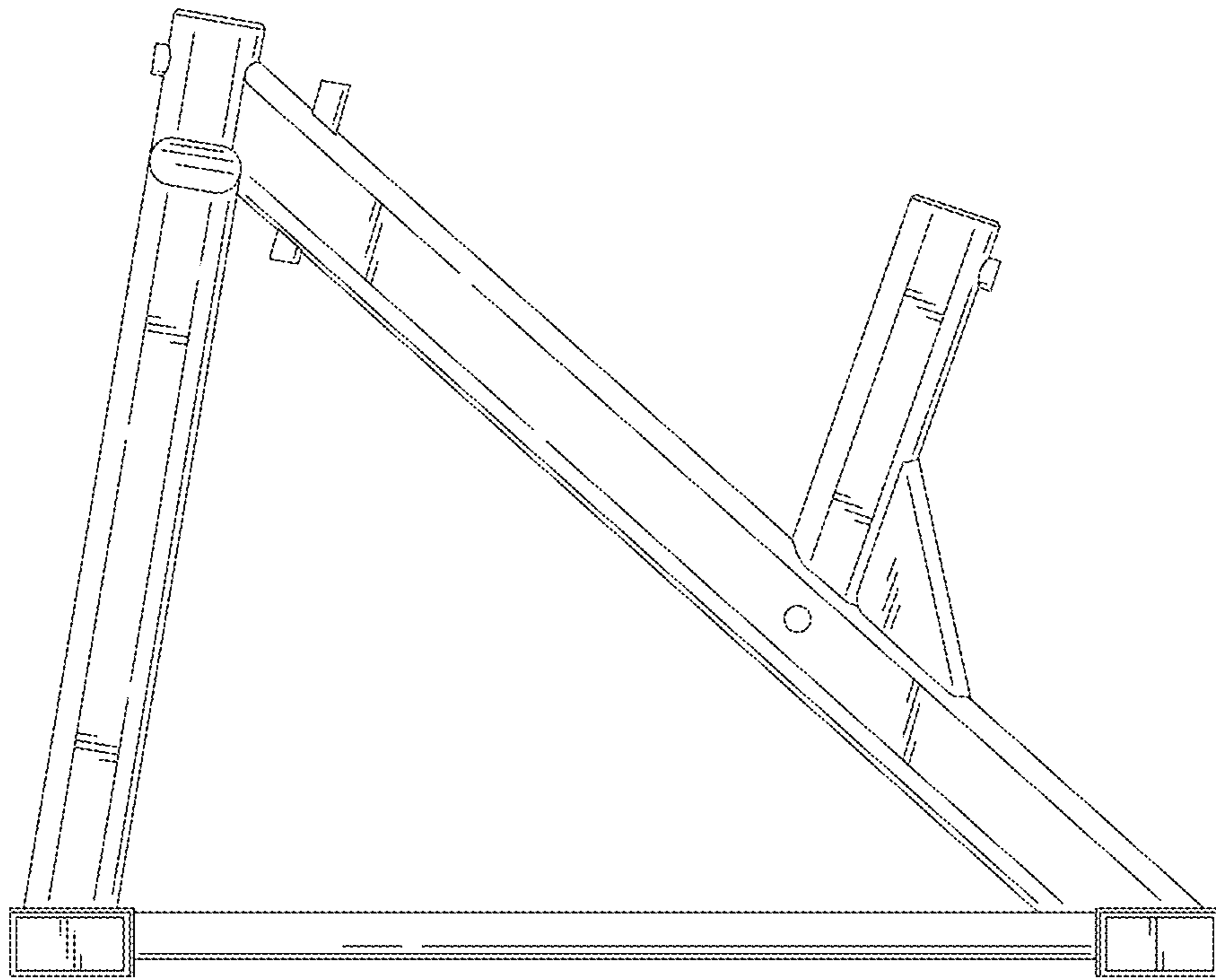


FIG. 2

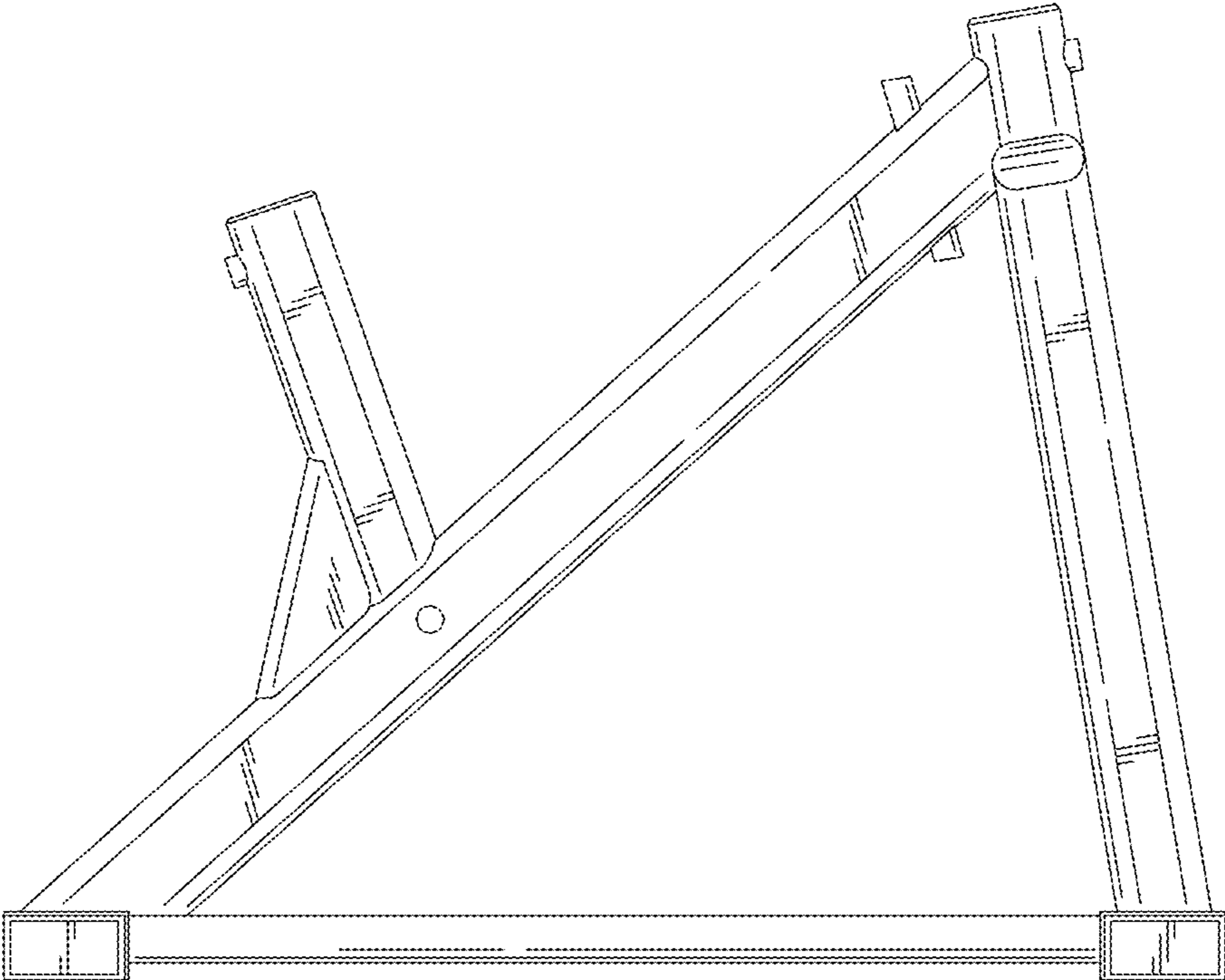


FIG. 3

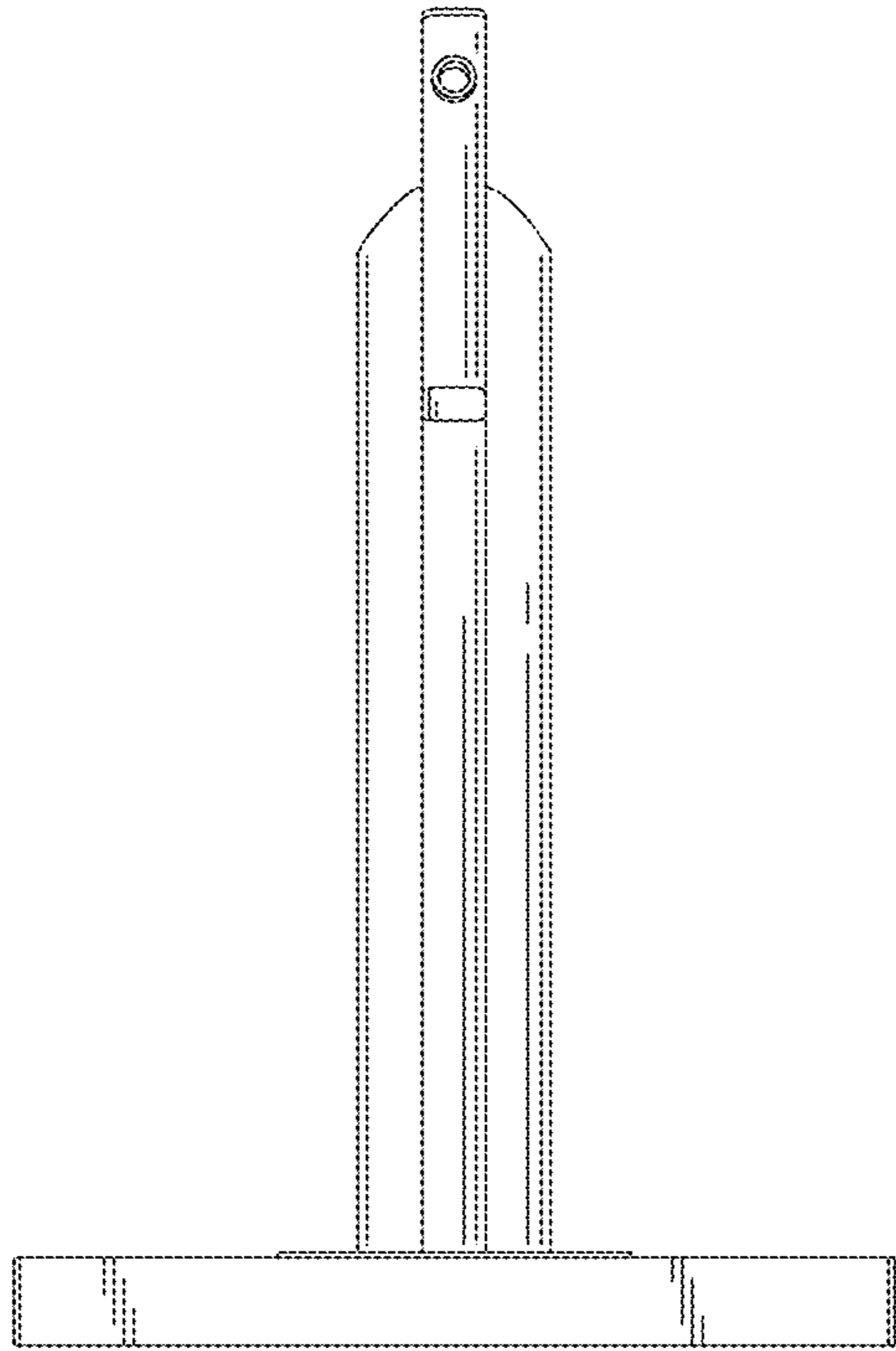


FIG. 4

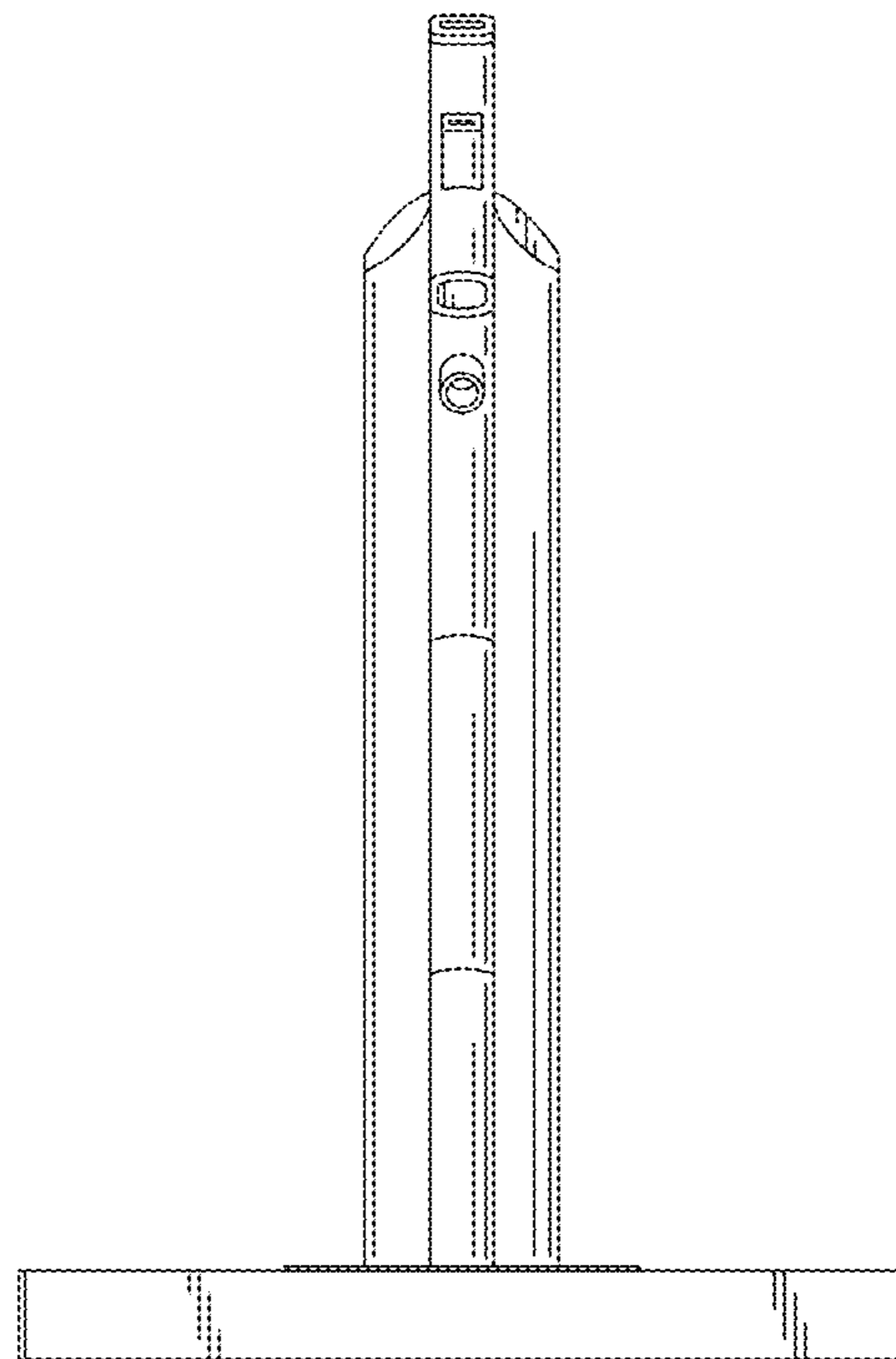


FIG. 5

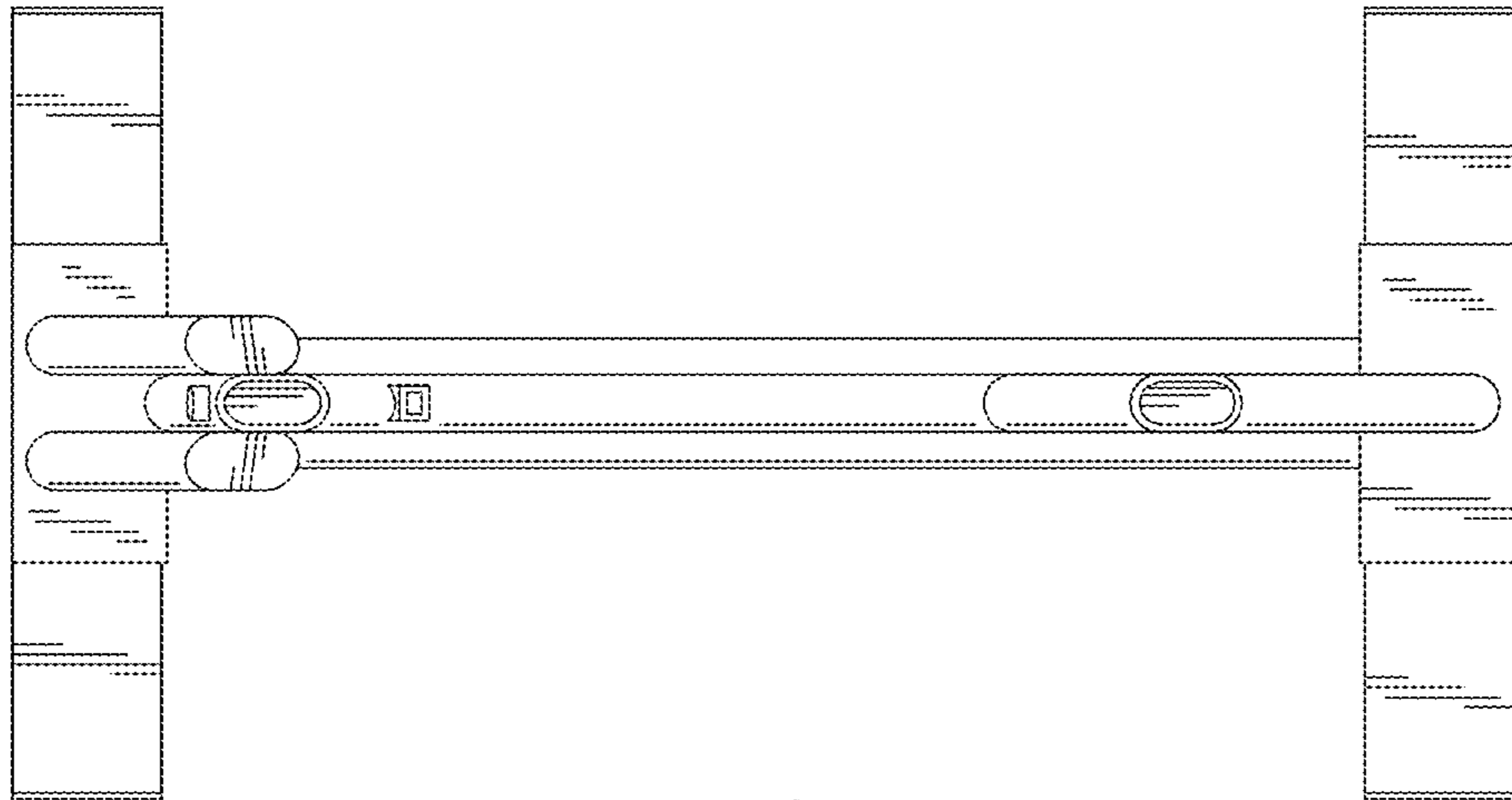


FIG. 6

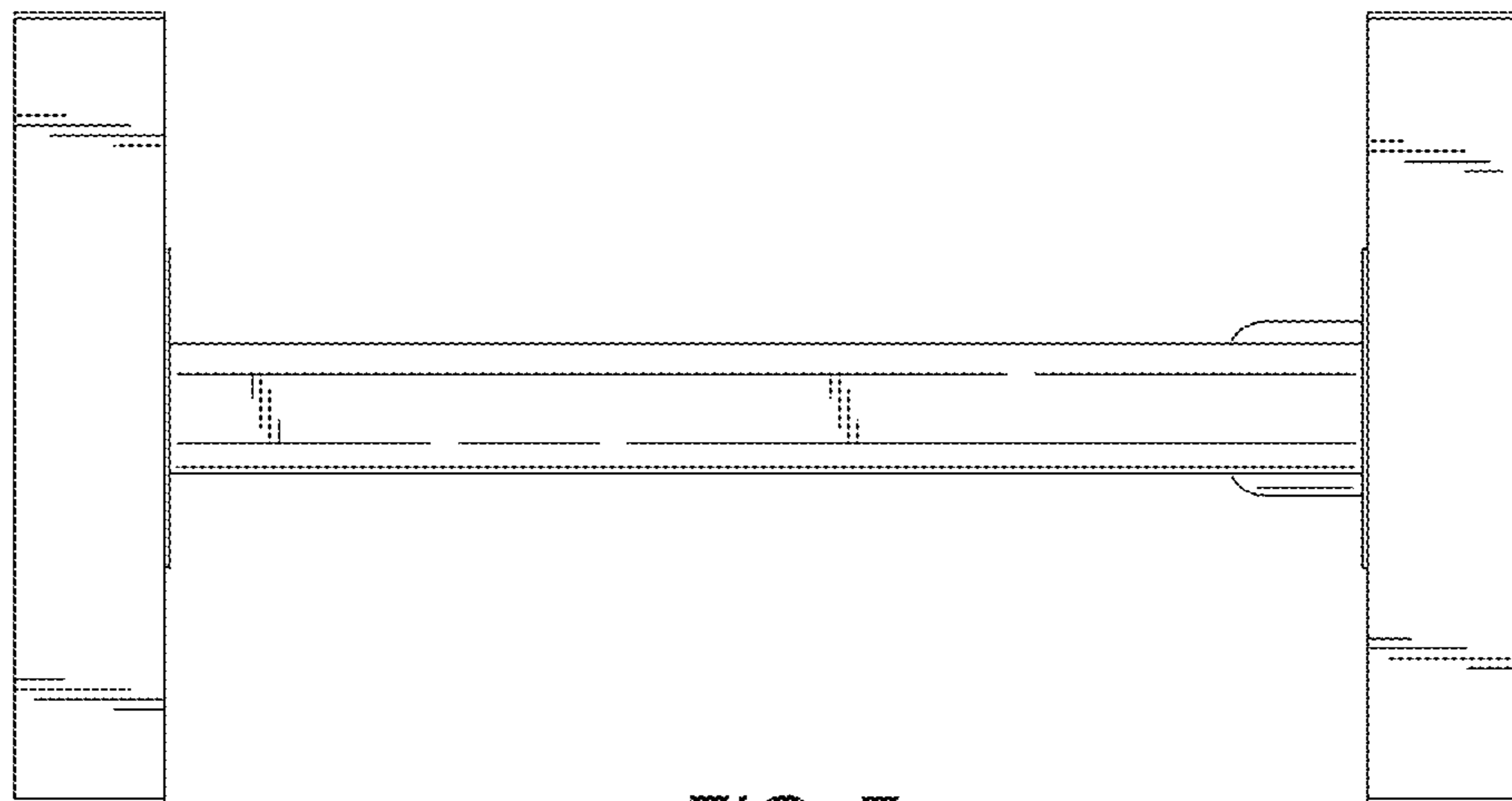
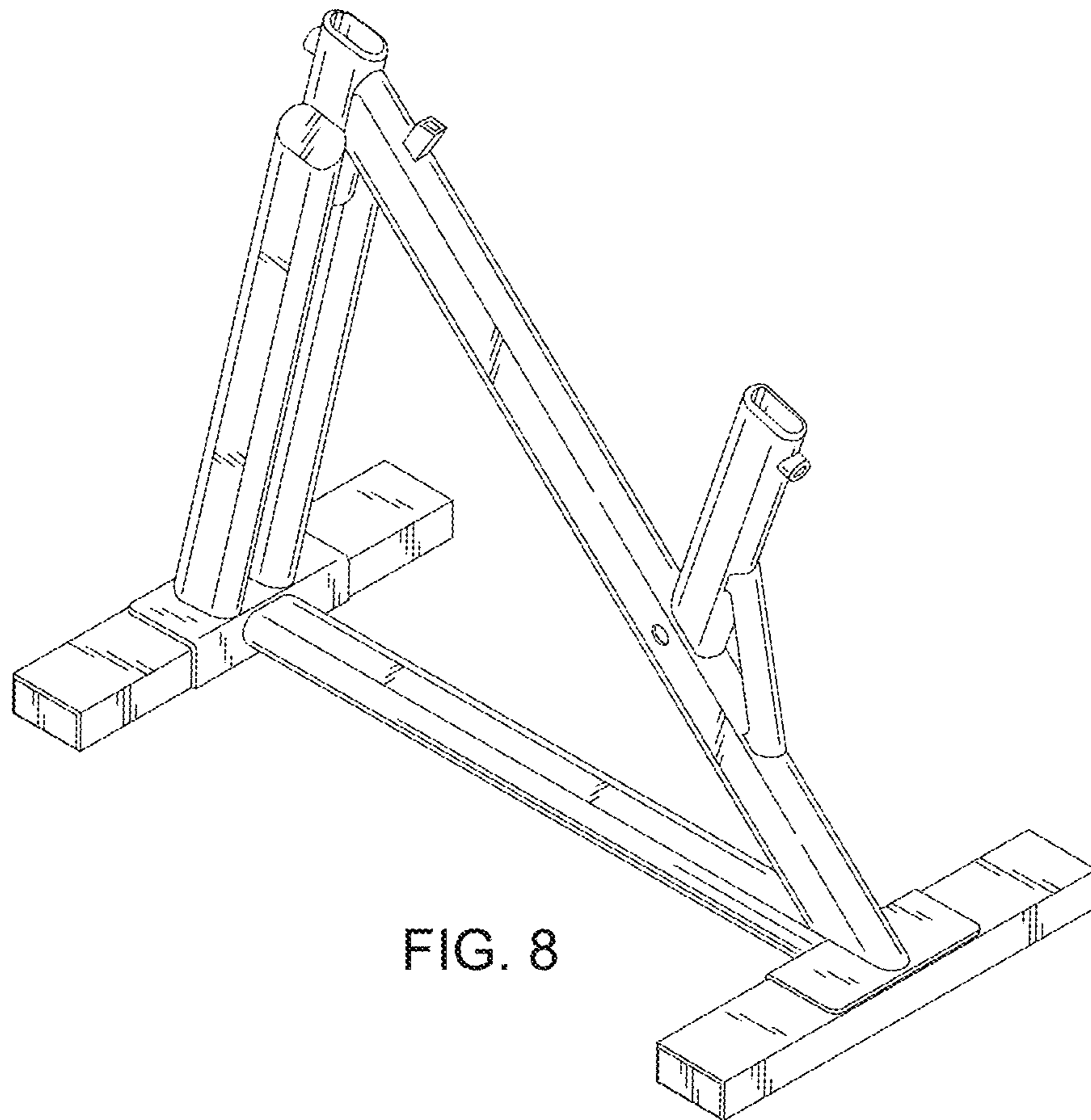


FIG. 7



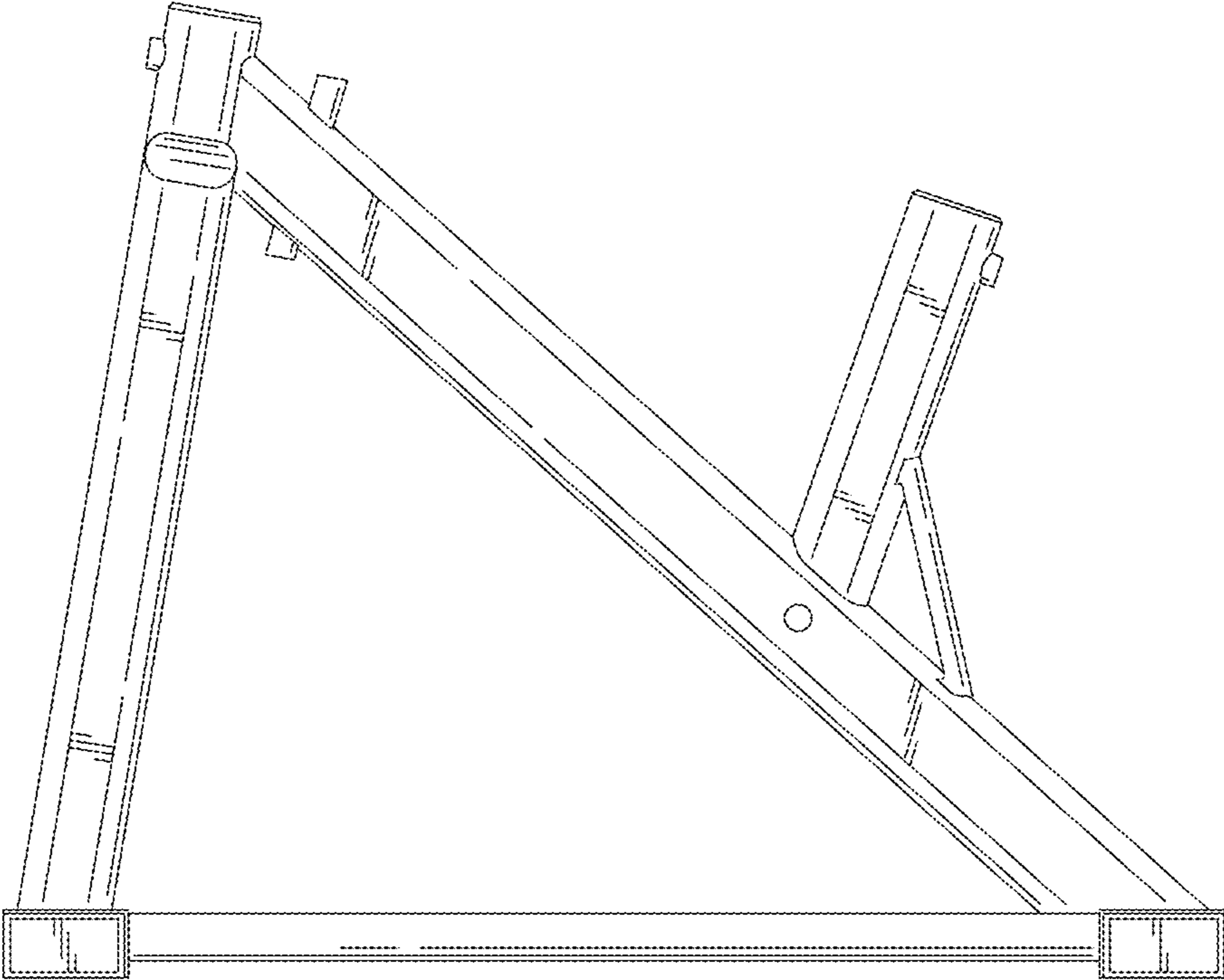


FIG. 9

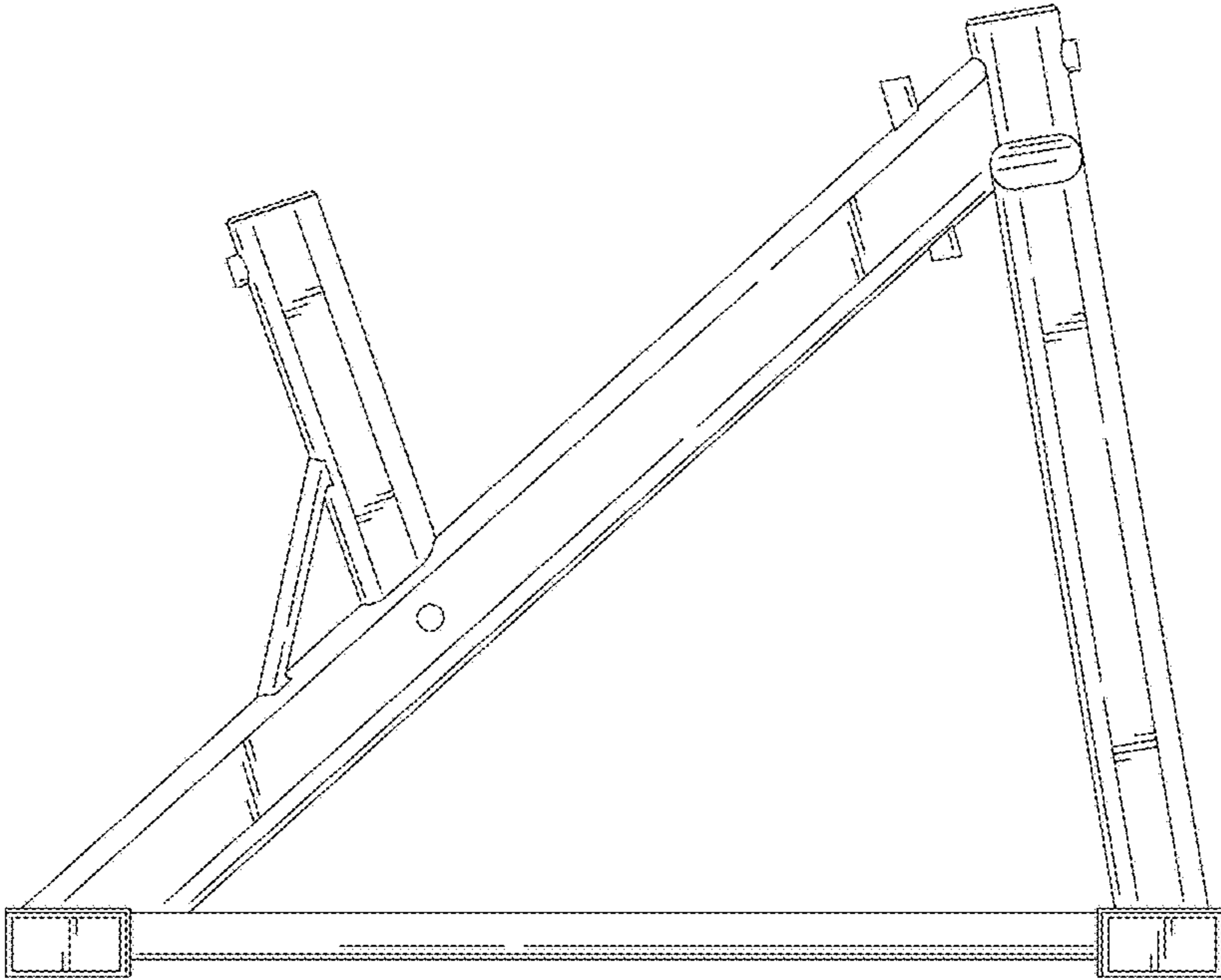


FIG. 10

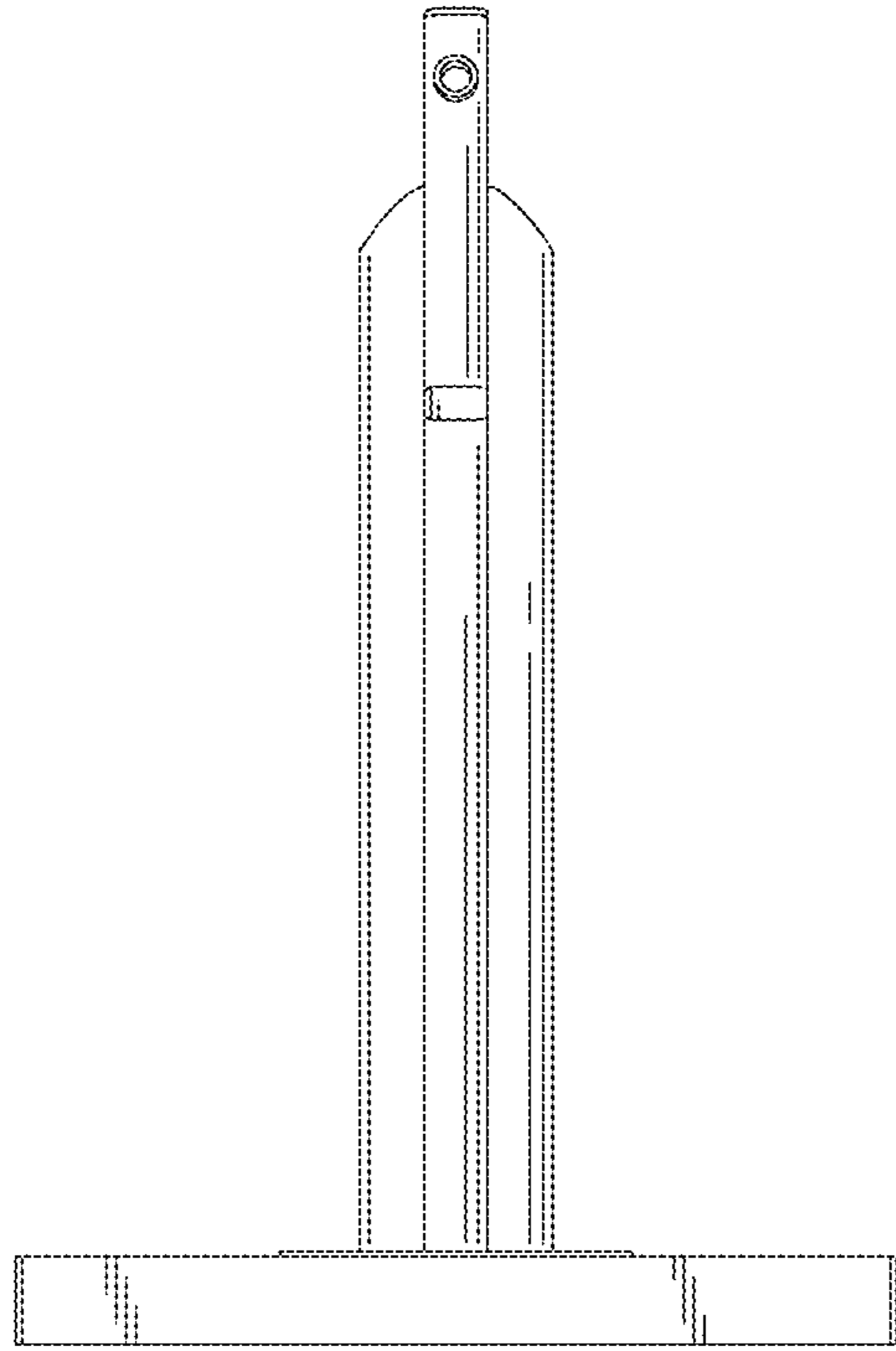


FIG. 11

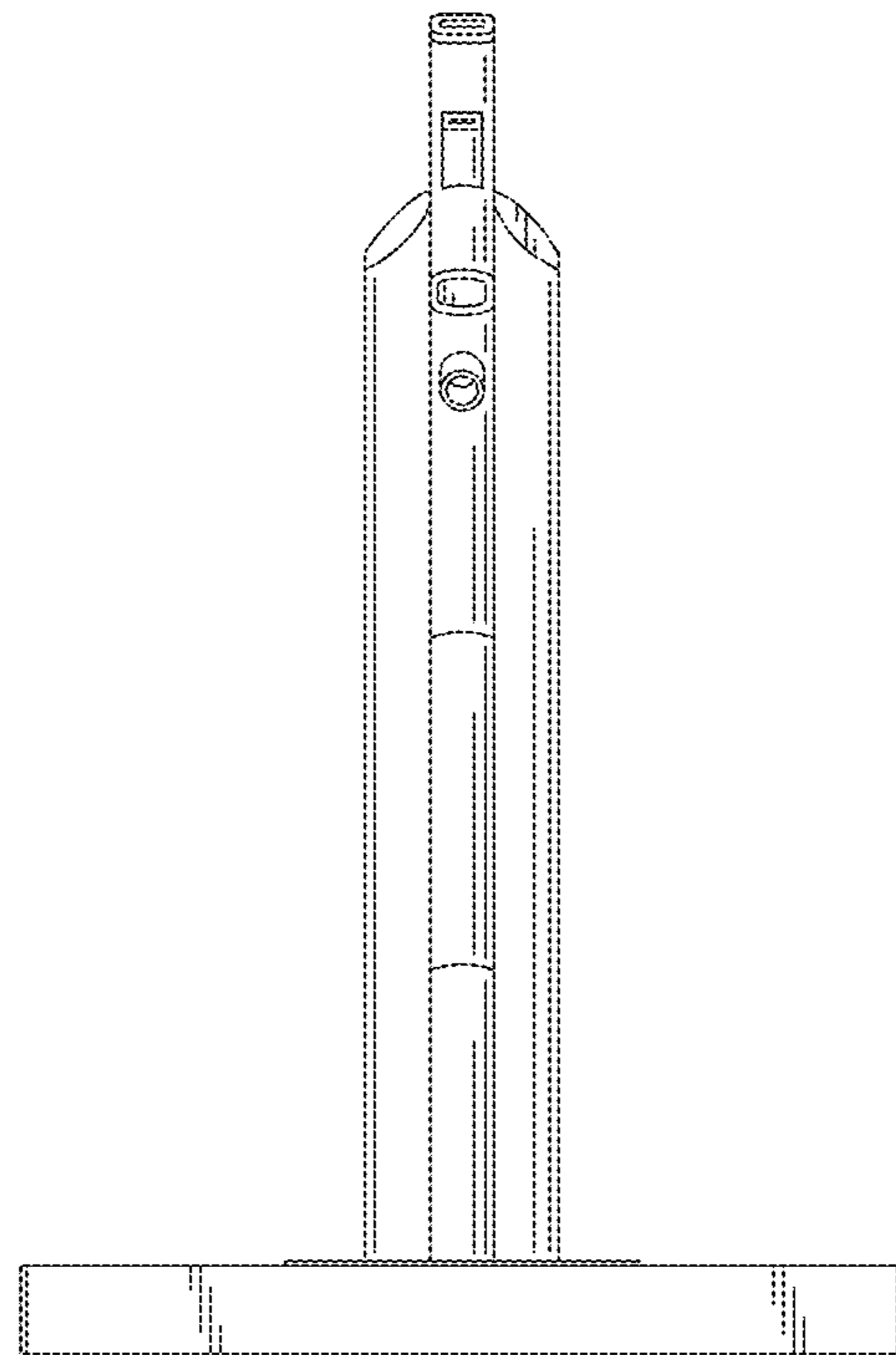


FIG. 12

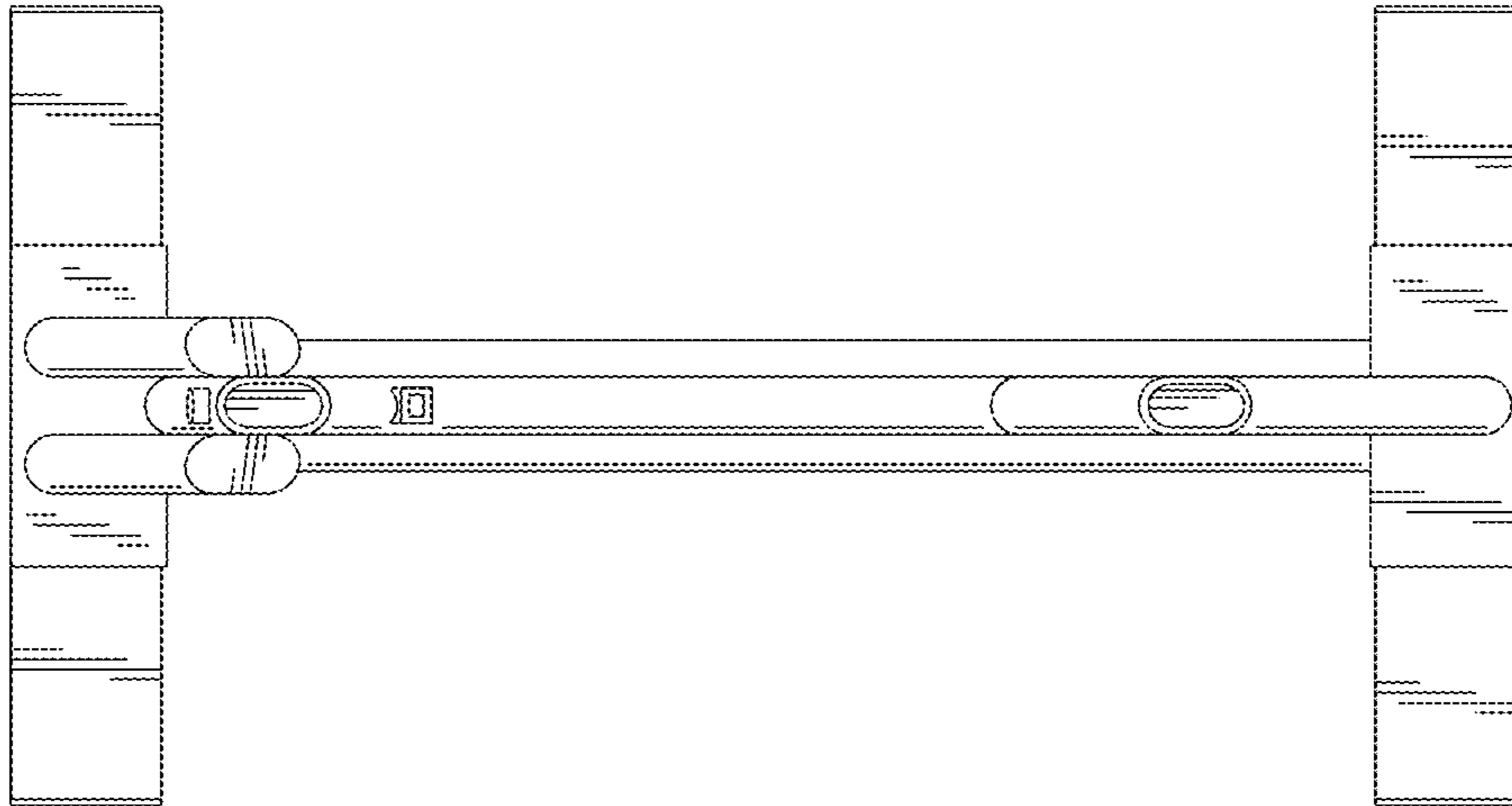


FIG. 13

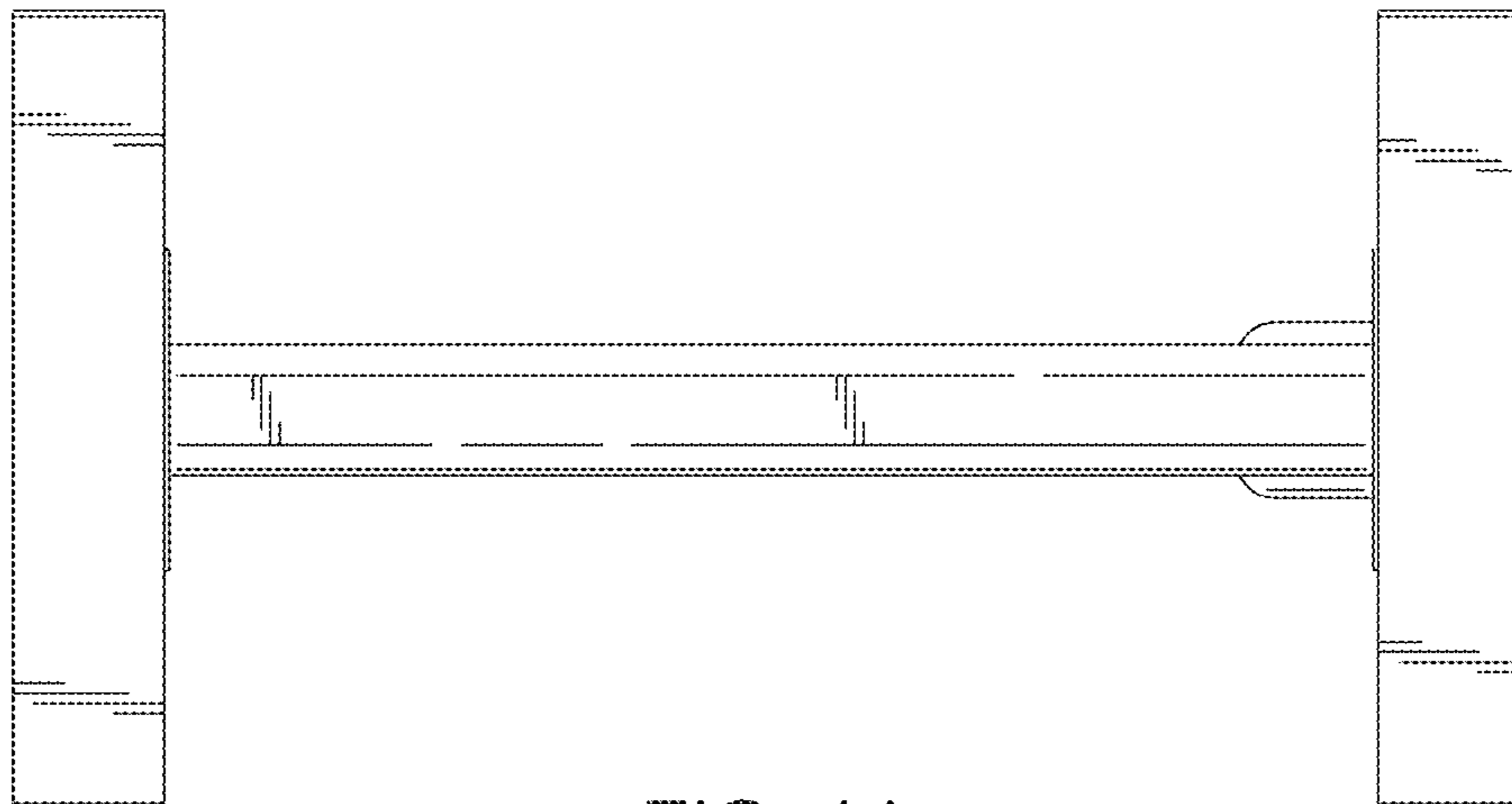


FIG. 14