



US00D781964S

(12) **United States Design Patent** (10) **Patent No.:** **US D781,964 S**
Soucie et al. (45) **Date of Patent:** **** Mar. 21, 2017**

(54) **CONSTRUCTION SET ELEMENT**

- (71) Applicant: **MEGA Brands Inc.**, Montreal (CA)
- (72) Inventors: **Philippe Soucie**, Montreal (CA); **Steve Ross**, Montreal (CA)
- (73) Assignee: **MEGA Brands Inc.**, Montreal, Quebec (CA)
- (**) Term: **14 Years**
- (21) Appl. No.: **29/515,638**
- (22) Filed: **Jan. 26, 2015**
- (51) **LOC (10) Cl.** **21-01**
- (52) **U.S. Cl.**
USPC **D21/495**
- (58) **Field of Classification Search**
USPC D21/386, 389, 404, 468, 470, 471,
D21/484–505; 446/69, 85, 102–128;
434/208, 259, 403; 273/153, 156, 160
CPC A63H 33/00; A63H 33/04; A63H 33/044;
A63H 33/06; A63H 33/08; A63H 33/084;
A63H 33/086; A63H 33/088; A63H
33/10; A63H 33/12; A63H 33/105; A63H
33/108; A63H 3/00; A63H 3/16; A63H
3/46; E04C

(Continued)

(56) **References Cited**

U.S. PATENT DOCUMENTS

- D246,927 S 1/1978 Christiansen
- D262,045 S * 11/1981 Nakao D21/495
- 4,306,373 A 12/1981 Chatani et al.

(Continued)

FOREIGN PATENT DOCUMENTS

FR 2639556 6/1990

OTHER PUBLICATIONS

Web page printout from “90 >> SNOT degree >> The ultimate SNOT references,” Sep. 5, 2013, reference link (<https://web.archive.org/web/20130905122943/http://swooshable.com/snot/degree/90/>), 6 pages.

(Continued)

Primary Examiner — Cynthia M Chin

(74) *Attorney, Agent, or Firm* — Plumsea Law Group, LLC

(57) **CLAIM**

The ornamental design for a construction set element, as shown and described.

DESCRIPTION

FIG. 1 is a top perspective view of a construction set element showing the new design;

FIG. 2 is a top plan view of the construction set element of FIG. 1;

FIG. 3 is a bottom plan view of the construction set element of FIG. 1;

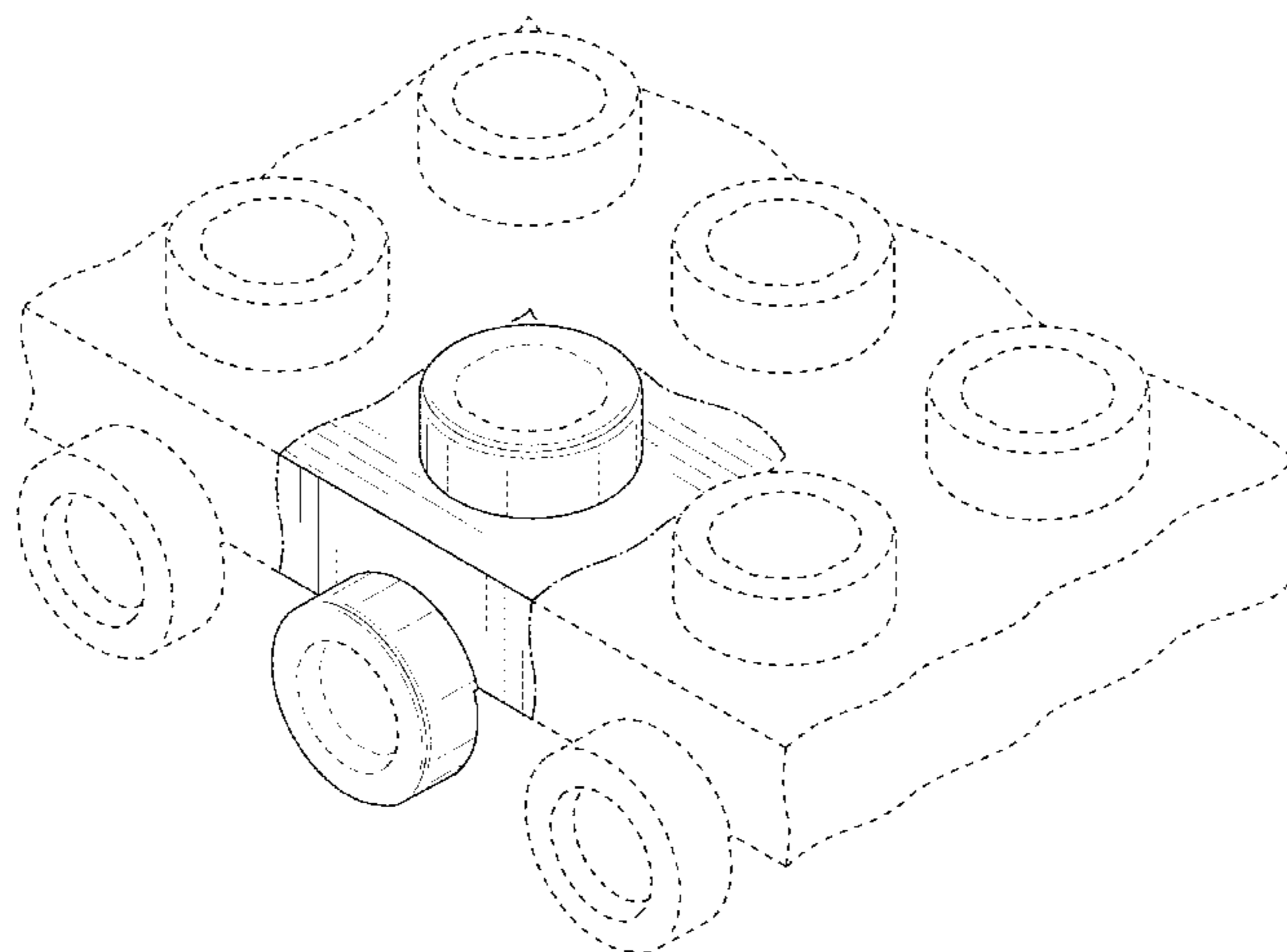
FIG. 4 is a front elevational view of the construction set element of FIG. 1;

FIG. 5 is a rear elevational view of the construction set element of FIG. 1, from the position of line 5-5 in FIG. 2;

FIG. 6 is a right side elevational view of the construction set element of FIG. 1, from the position of line 6-6 in FIG. 2; and,

FIG. 7 is a left side elevational view of the construction set element of FIG. 1, from the position of line 7-7 in FIG. 2. The evenly spaced broken lines and unshaded areas form no part of the claimed design. The long and short broken lines in FIGS. 1, 2, and 4-7 define the bounds of the claimed design and form no part thereof. The various directional adjectives used in this specification, such as “front,” “rear,” “right,” “left,” “top,” and “bottom,” refer to the construction set element as illustrated.

1 Claim, 7 Drawing Sheets



- (58) **Field of Classification Search**
 CPC 1/00; E04C 1/40; E04B 2/14; E04B 2/16;
 E04B 2/18
 See application file for complete search history.

(56) **References Cited**

U.S. PATENT DOCUMENTS

4,375,139 A * 3/1983 Chatani A63H 17/26
 446/471
 D272,256 S * 1/1984 Chatani D21/499
 D294,373 S 2/1988 Bertrand
 D295,642 S * 5/1988 Olsen D21/495
 D295,649 S 5/1988 Takahashi
 D295,993 S 5/1988 Knudsen
 D296,342 S * 6/1988 Knudsen D21/499
 D301,260 S * 5/1989 McLaughlin D21/500
 D308,706 S * 6/1990 Mikkelsen D21/486
 D324,084 S * 2/1992 Knudsen D21/500
 D325,052 S * 3/1992 Andersen D21/495
 5,120,253 A 6/1992 Gelardi
 D344,552 S * 2/1994 Berggreen D21/495
 5,611,187 A 3/1997 Jones
 D394,469 S * 5/1998 Nielsen D21/500
 D394,680 S 5/1998 Andersen
 5,853,314 A * 12/1998 Bora A63H 33/086
 446/102
 D411,591 S * 6/1999 Laserna Fernandez D21/500
 D412,725 S 8/1999 Nielsen et al.
 6,616,500 B1 9/2003 Harms et al.
 D541,882 S * 5/2007 Petersen D21/495
 D546,401 S * 7/2007 Sorensen D21/484
 D561,845 S 2/2008 Glickman et al.
 D608,400 S * 1/2010 Ryaa D21/500
 D672,402 S 12/2012 Macadam
 8,371,894 B1 * 2/2013 Rosen A63H 33/086
 446/102

D682,950 S * 5/2013 Johansson D21/495
 D688,328 S 8/2013 Holm
 D688,753 S 8/2013 Holm
 D695,849 S 12/2013 Andersen
 D695,850 S 12/2013 Andersen
 D695,851 S 12/2013 Holm
 D696,360 S 12/2013 Holm
 D701,923 S 4/2014 Jensen
 D755,903 S * 5/2016 Chen D21/499
 D755,904 S * 5/2016 Chen D21/499
 D758,500 S * 6/2016 Sorensen D21/495
 2005/0215172 A1 9/2005 Chen
 2008/0242189 A1 10/2008 Han
 2014/0262896 A1 9/2014 Ficko

OTHER PUBLICATIONS

Web page printout from “90-Inverted >> SNOT degree >> The ultimate SNOT reference,” Sep. 7, 2013, reference link (<https://web.archive.org/web/20130907052738/http://swooshable.com/snot/degree/90-inverted/>), 3 pages.

Web page printout from “180 >> SNOT degree >> The ultimate SNOT reference,” Sep. 7, 2013, reference link (<https://web.archive.org/web/20130907052733/http://swooshable.com/snot/degree/180/>), 6 pages.

Web page printout from “180-inverted >> SNOT degree >> The ultimate SNOT reference,” Sep. 7, 2013, reference link (<https://web.archive.org/web/20130907052508/http://swooshable.com/snot/degree/180-inverted/>), 4 pages.

The Unofficial LEGO Advanced Building Techniques Guide, 2007, 37 pages.

Web page printout from “SNOT techniques—Brickwiki,” May 22, 2014, reference link (http://www.brickwiki.info/wiki/SNOT_techniques), 3 pages.

* cited by examiner

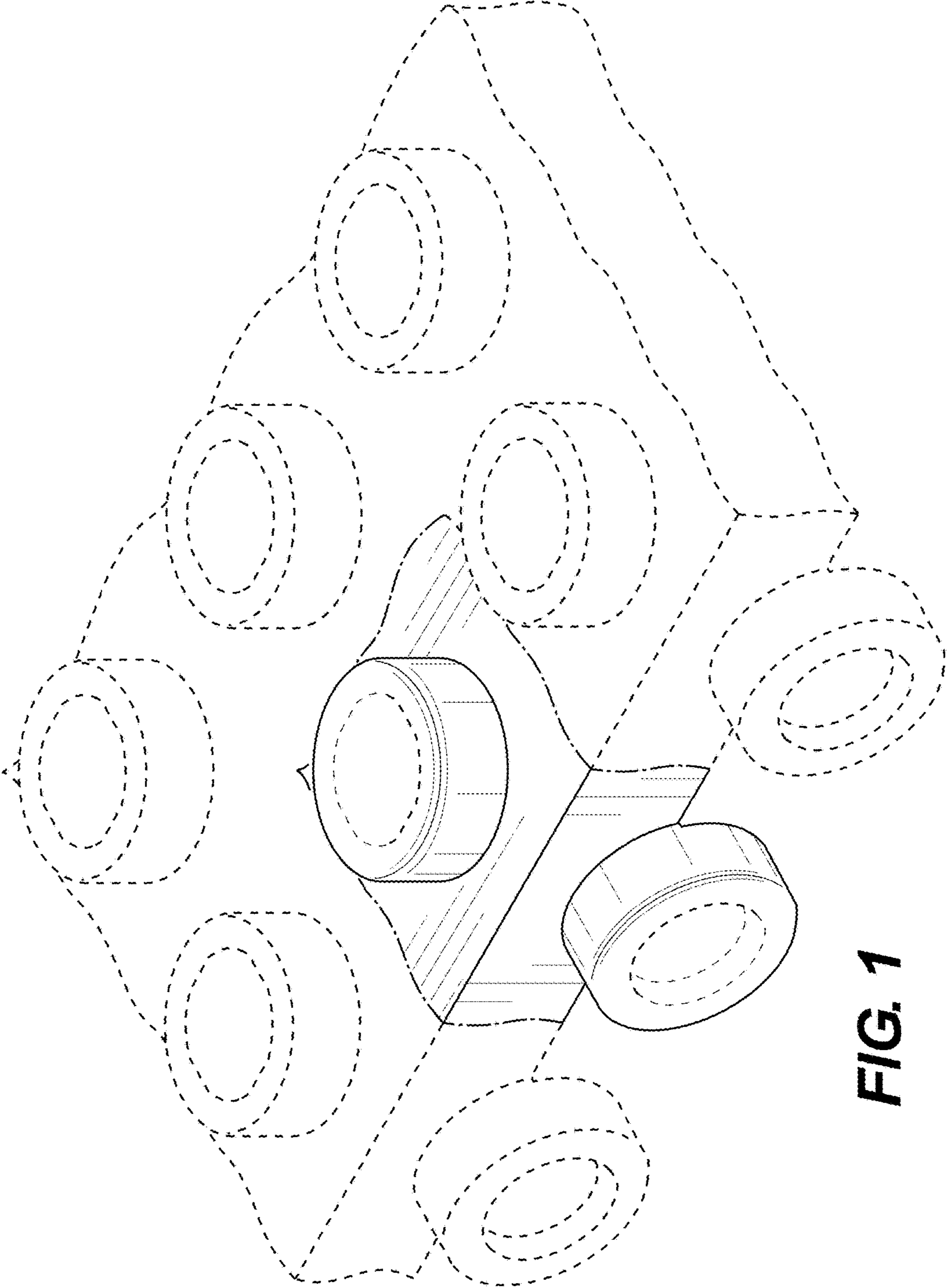


FIG. 1

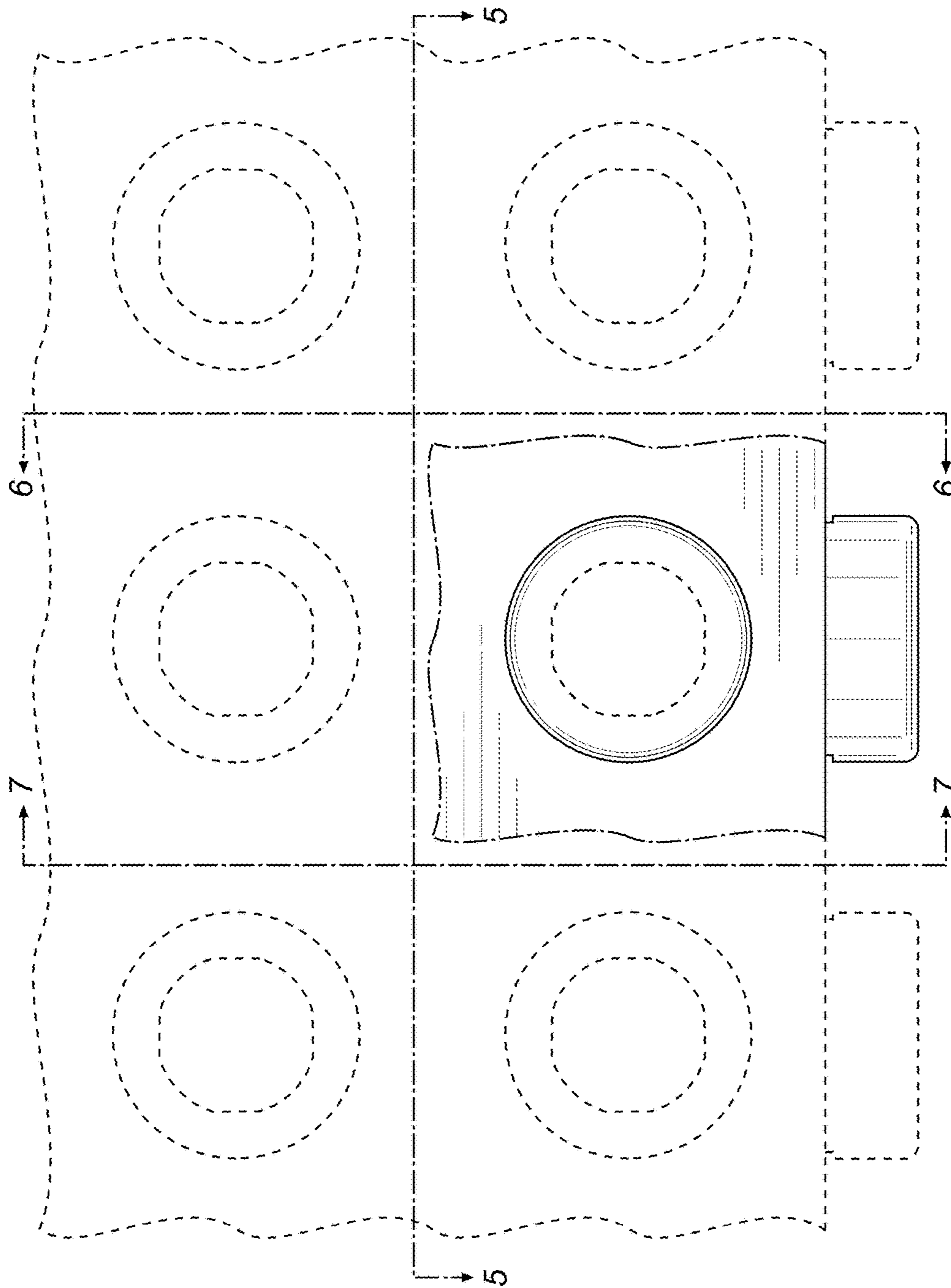


FIG. 2

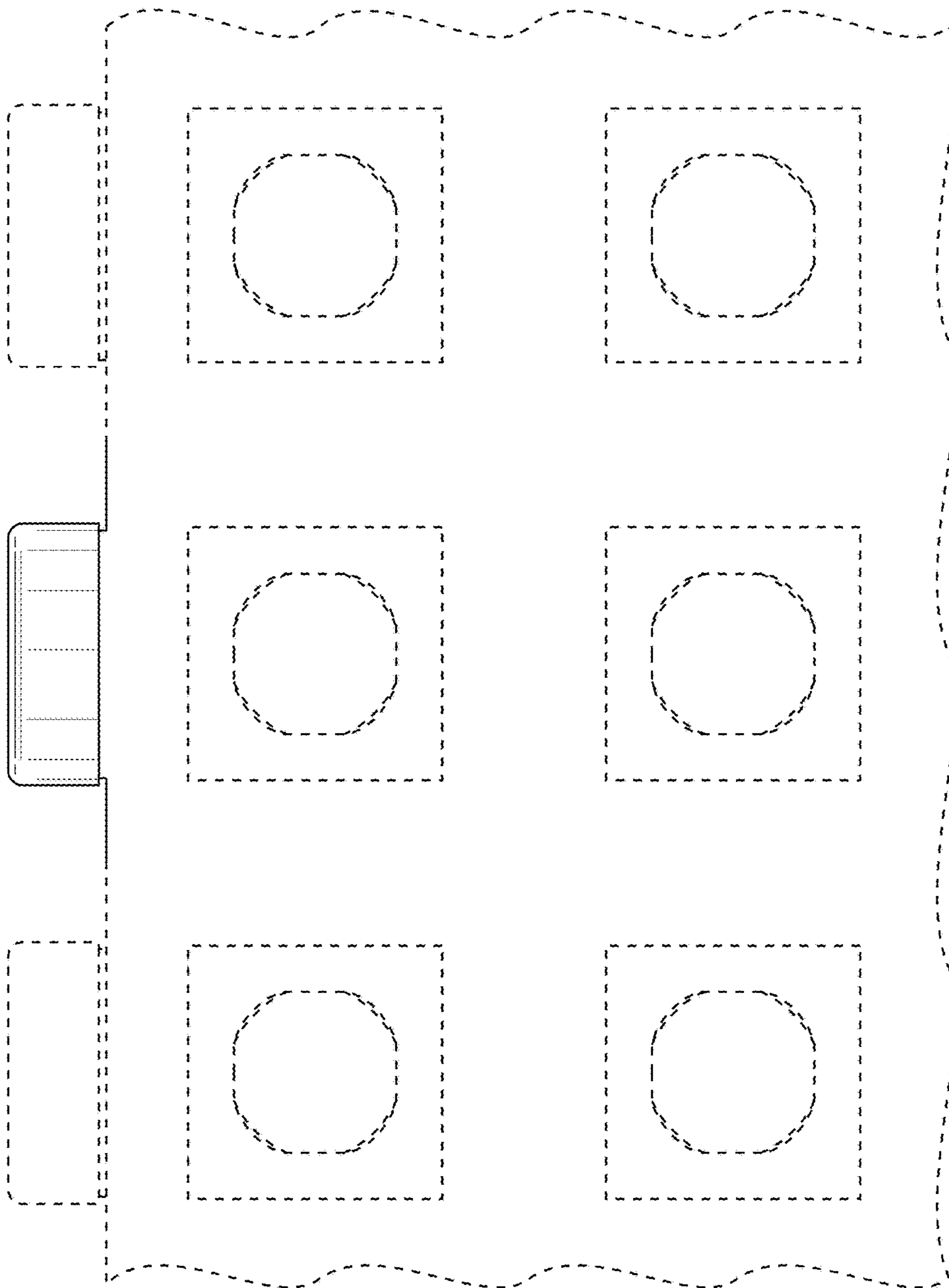


FIG. 3

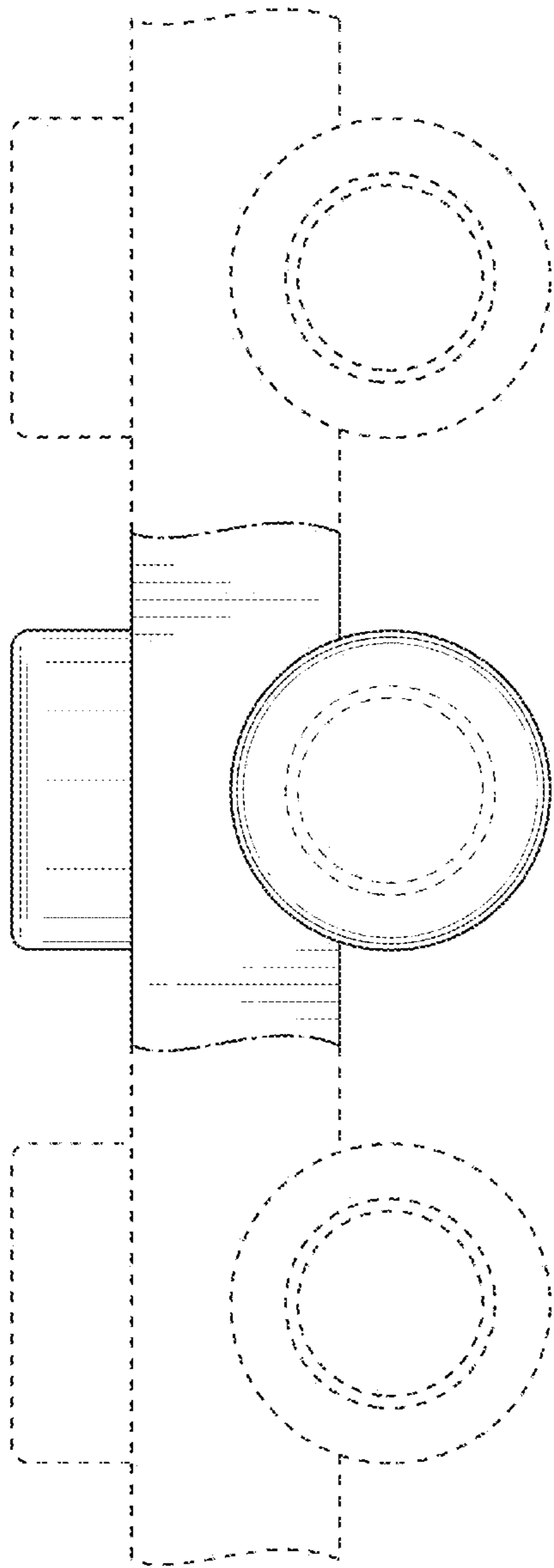


FIG. 4

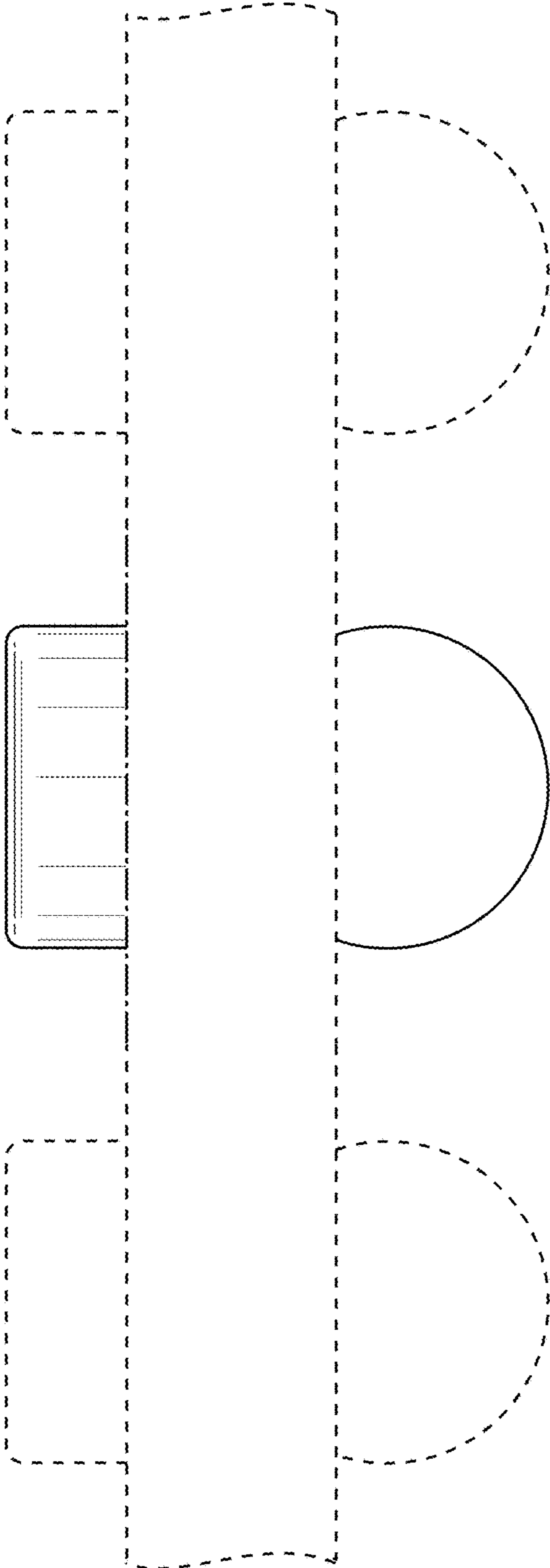


FIG. 5

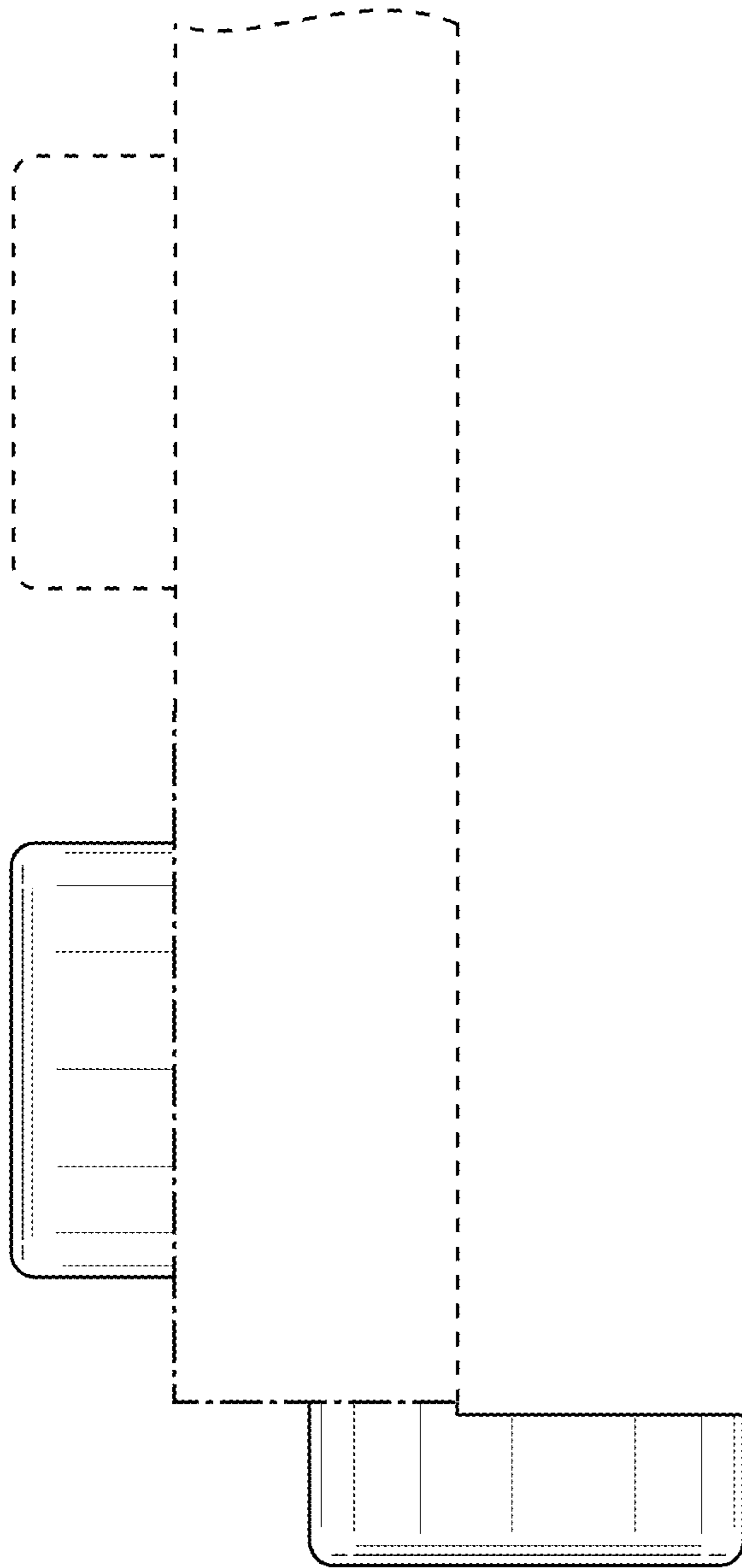


FIG. 6

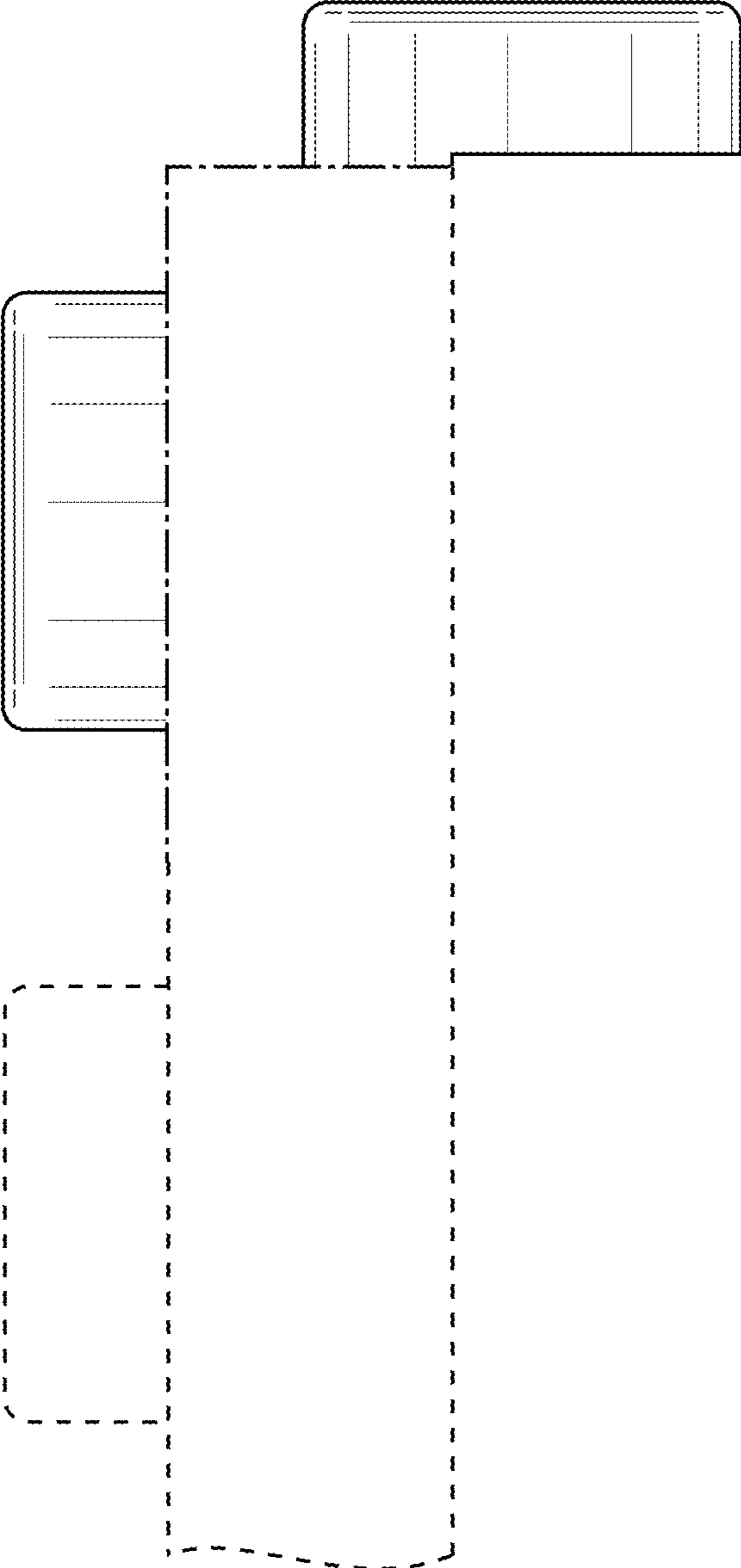


FIG. 7