



US00D781962S

(12) **United States Design Patent**
LaBonty

(10) **Patent No.:** **US D781,962 S**

(45) **Date of Patent:** **** Mar. 21, 2017**

(54) **SCOOTER DECK**

(71) Applicant: **Phillip LaBonty**, Newport Beach, CA
(US)

(72) Inventor: **Phillip LaBonty**, Newport Beach, CA
(US)

(**) Term: **15 Years**

(21) Appl. No.: **29/553,890**

(22) Filed: **Feb. 5, 2016**

(51) **LOC (10) Cl.** **21-01**

(52) **U.S. Cl.**
USPC **D21/423**

(58) **Field of Classification Search**
USPC D21/419, 421, 423, 426-428, 435, 760,
D21/765, 771; D12/1, 8, 108, 112, 113
CPC . B62K 3/002; B62K 9/00; B62K 9/02; B62K
13/00; B62K 2202/00
See application file for complete search history.

(56) **References Cited**

U.S. PATENT DOCUMENTS

D435,874 S * 1/2001 Cheng D21/423
D456,460 S * 4/2002 Tseng D21/423

D476,042 S * 6/2003 Hsieh D21/423
D547,388 S * 7/2007 Thomas D21/423
D569,447 S * 5/2008 Thomas D21/423
D656,560 S * 3/2012 Patterson D21/423
2002/0096846 A1* 7/2002 Chen B62K 3/002
280/87.041

* cited by examiner

Primary Examiner — Cynthia M Chin

(74) *Attorney, Agent, or Firm* — Eric Karich; Karich & Associates

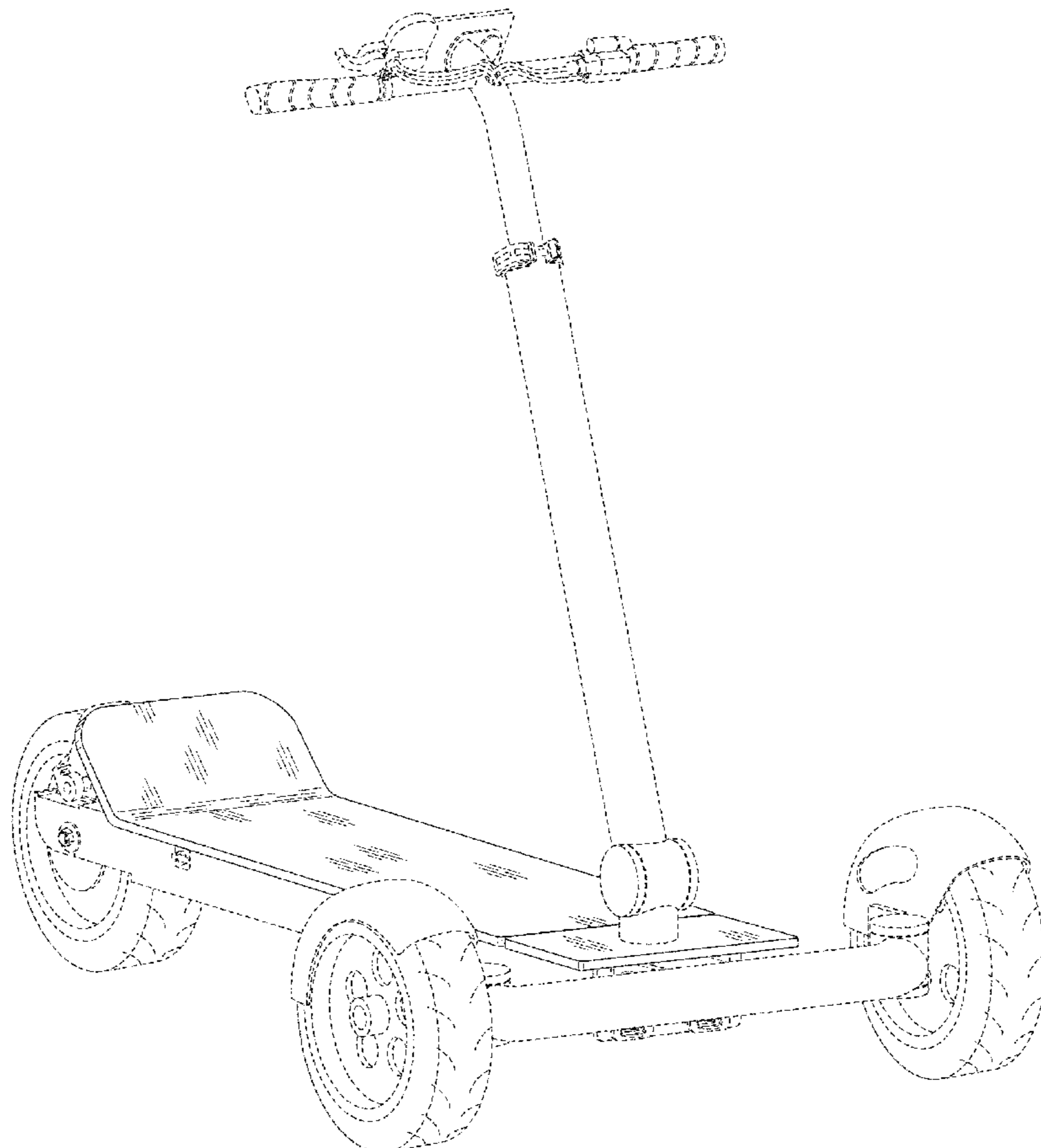
(57) **CLAIM**

The ornamental design for a scooter deck, as shown and described.

DESCRIPTION

FIG. 1 is a perspective view of a scooter deck, showing my new design;
FIG. 2 is a front elevational view thereof;
FIG. 3 is a rear elevational view thereof;
FIG. 4 is a left side elevational view thereof
FIG. 5 is a right side elevational view thereof;
FIG. 6 is a top plan view thereof; and,
FIG. 7 is a bottom plan view thereof.
The broken line showing of scooter handlebars, wheels, and components aside from the deck are included for the purpose of illustrating environmental structure and form no part of the claimed design.

1 Claim, 7 Drawing Sheets



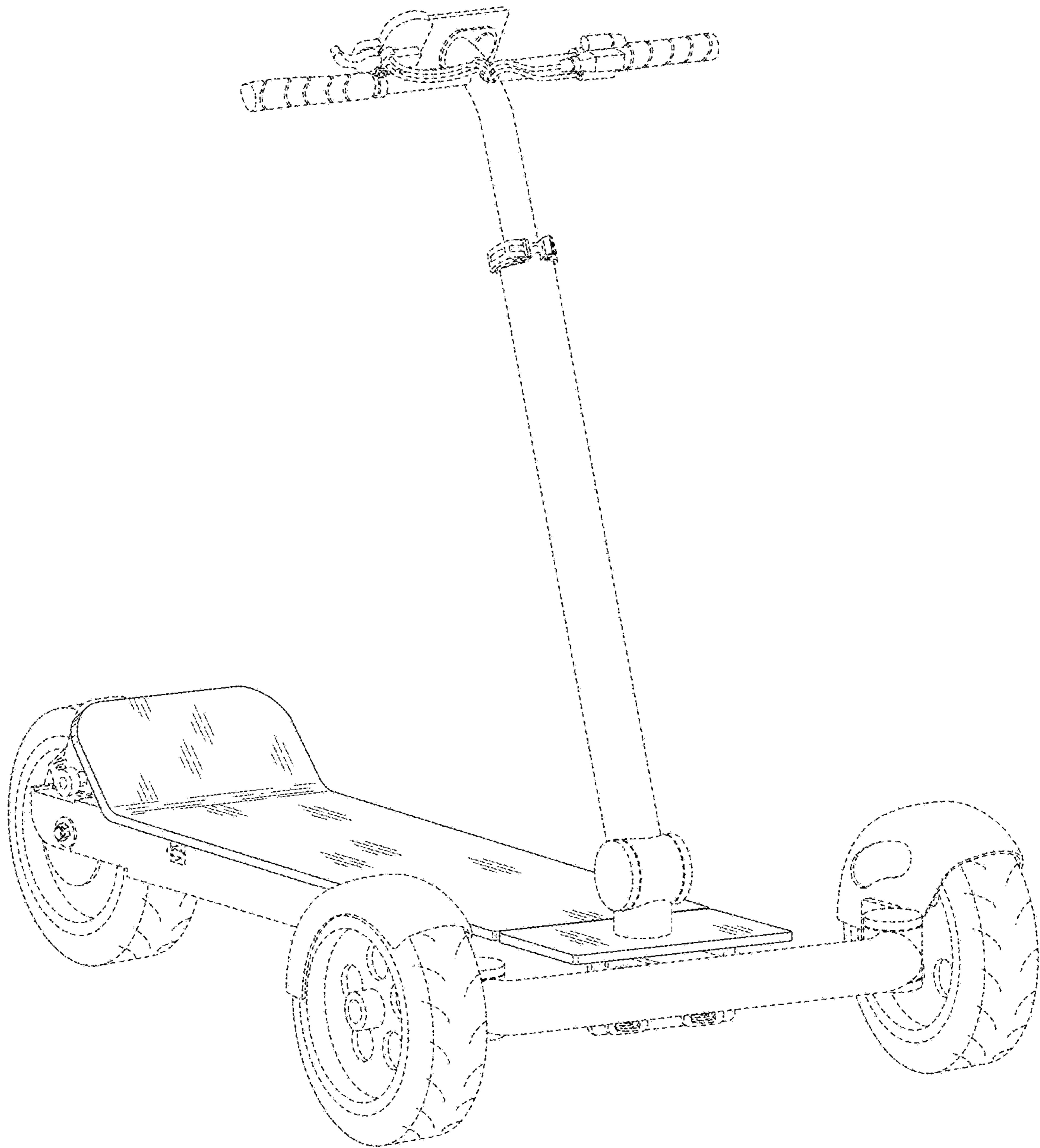


Fig. 1

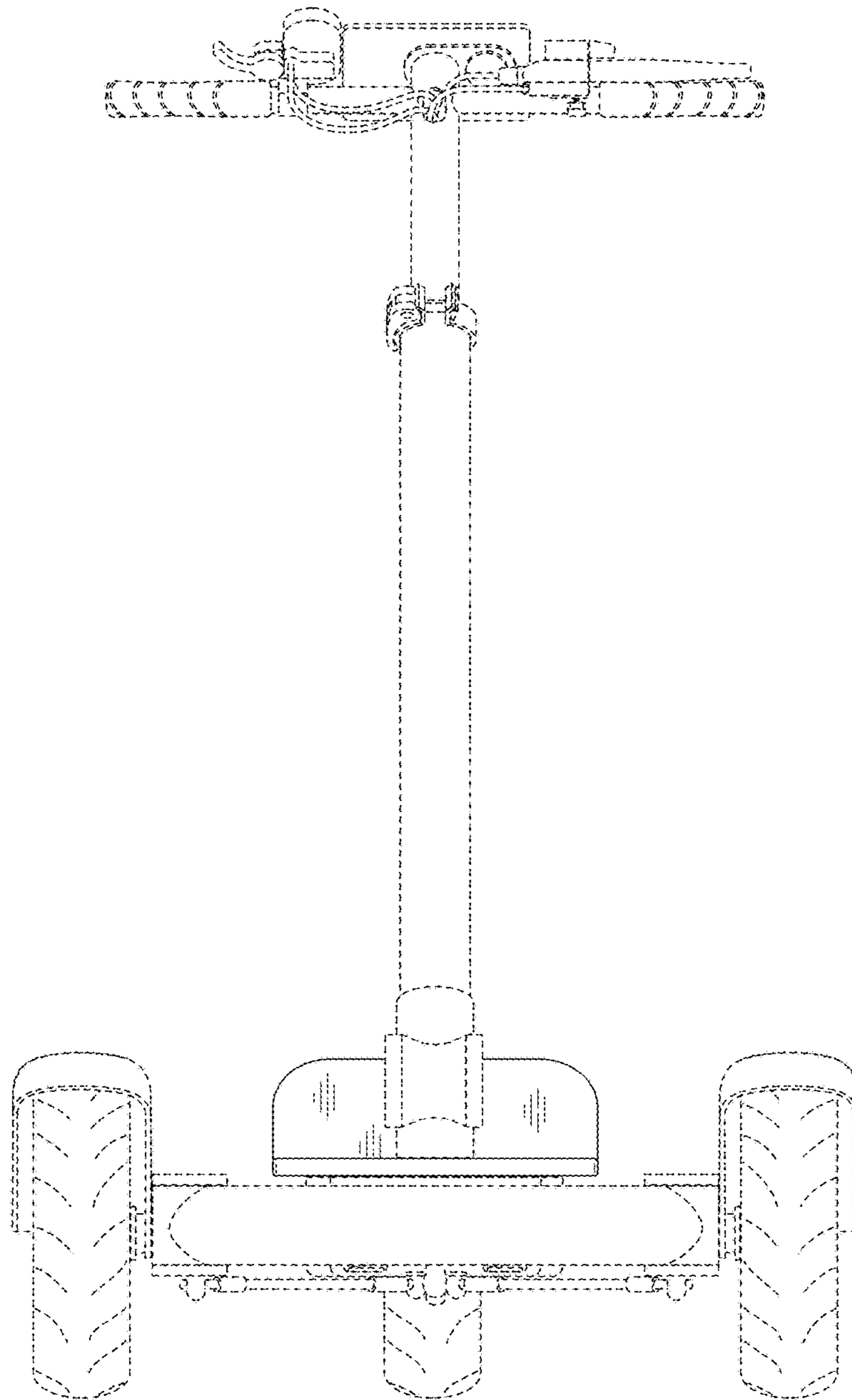


Fig. 2

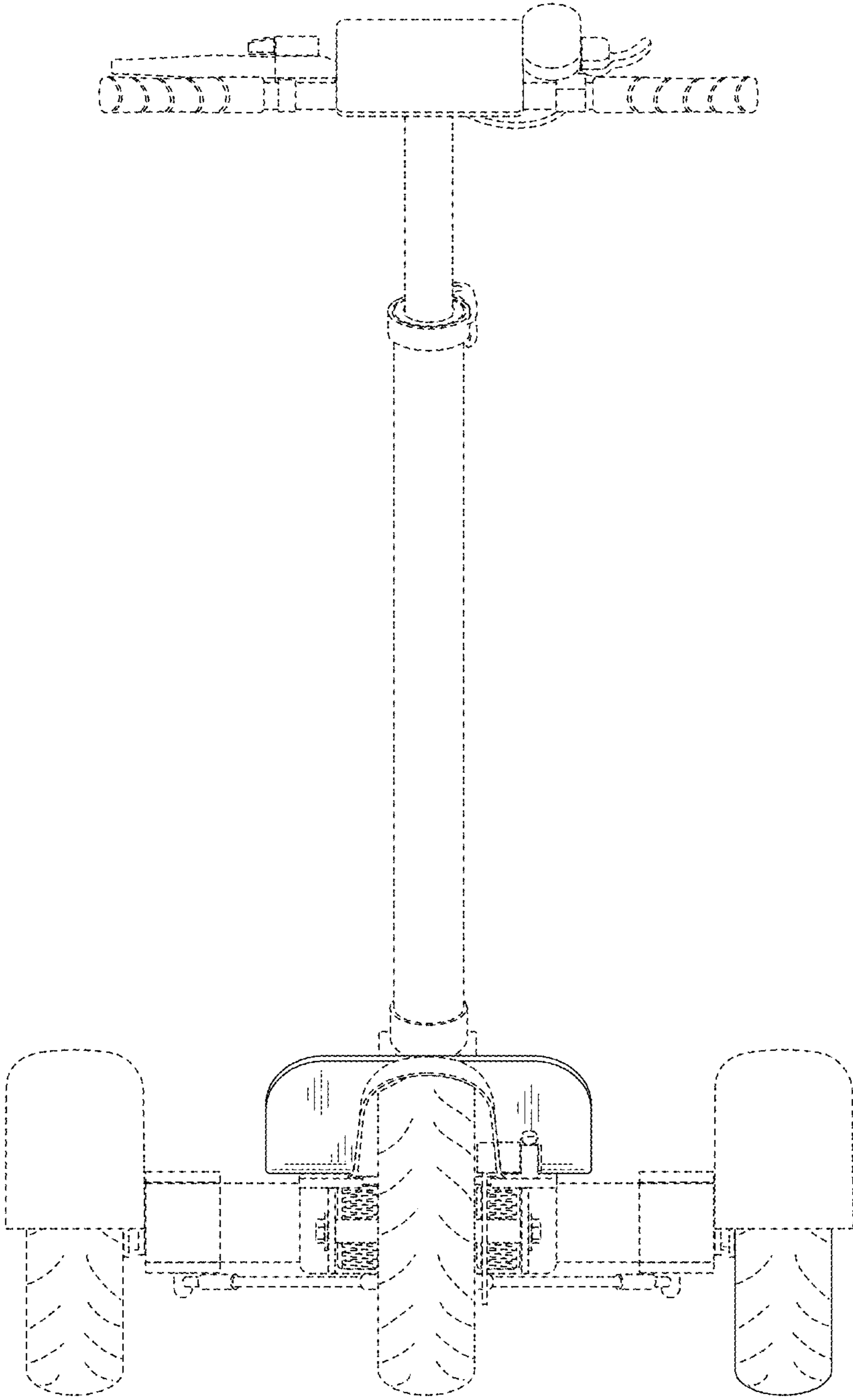


Fig. 3

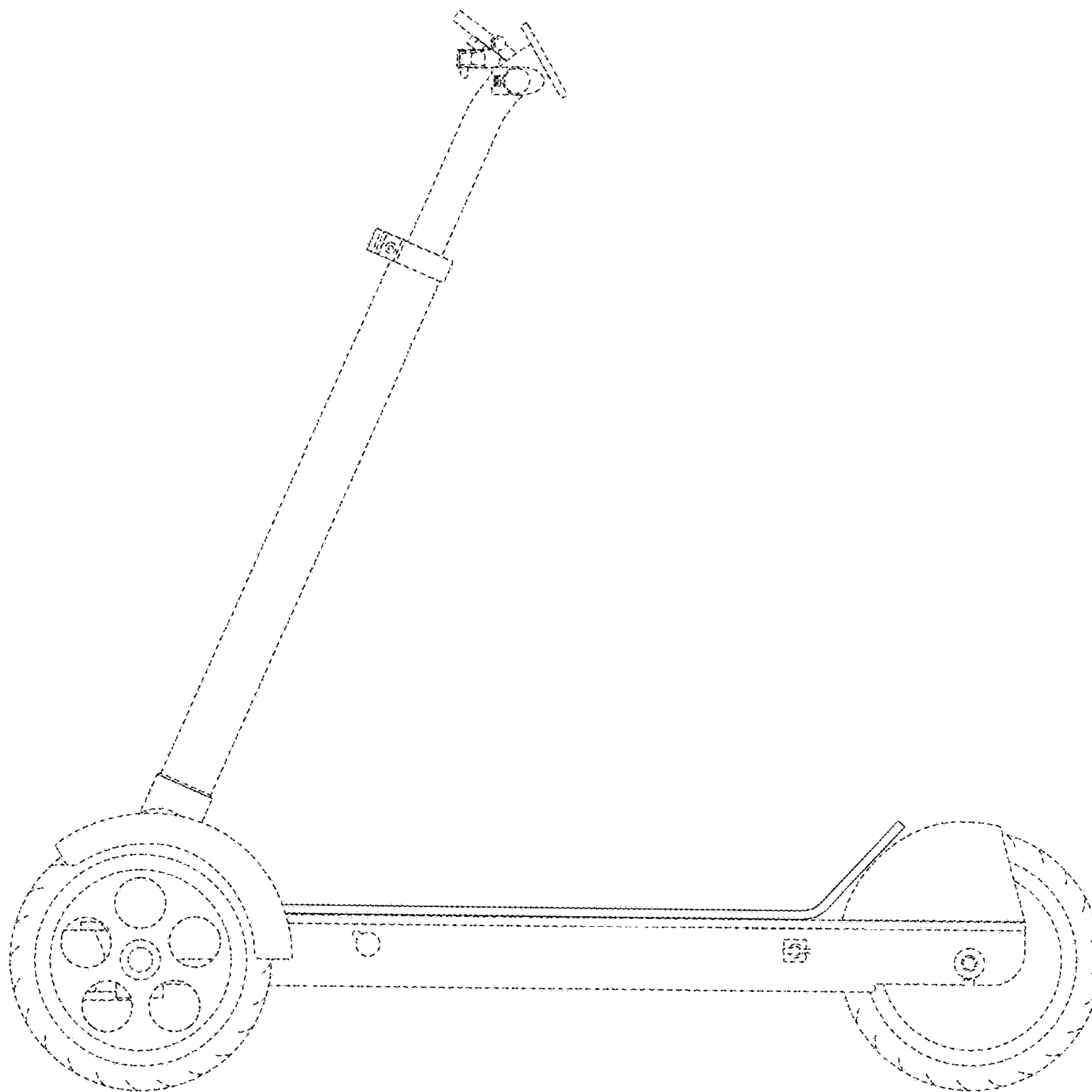


Fig. 4

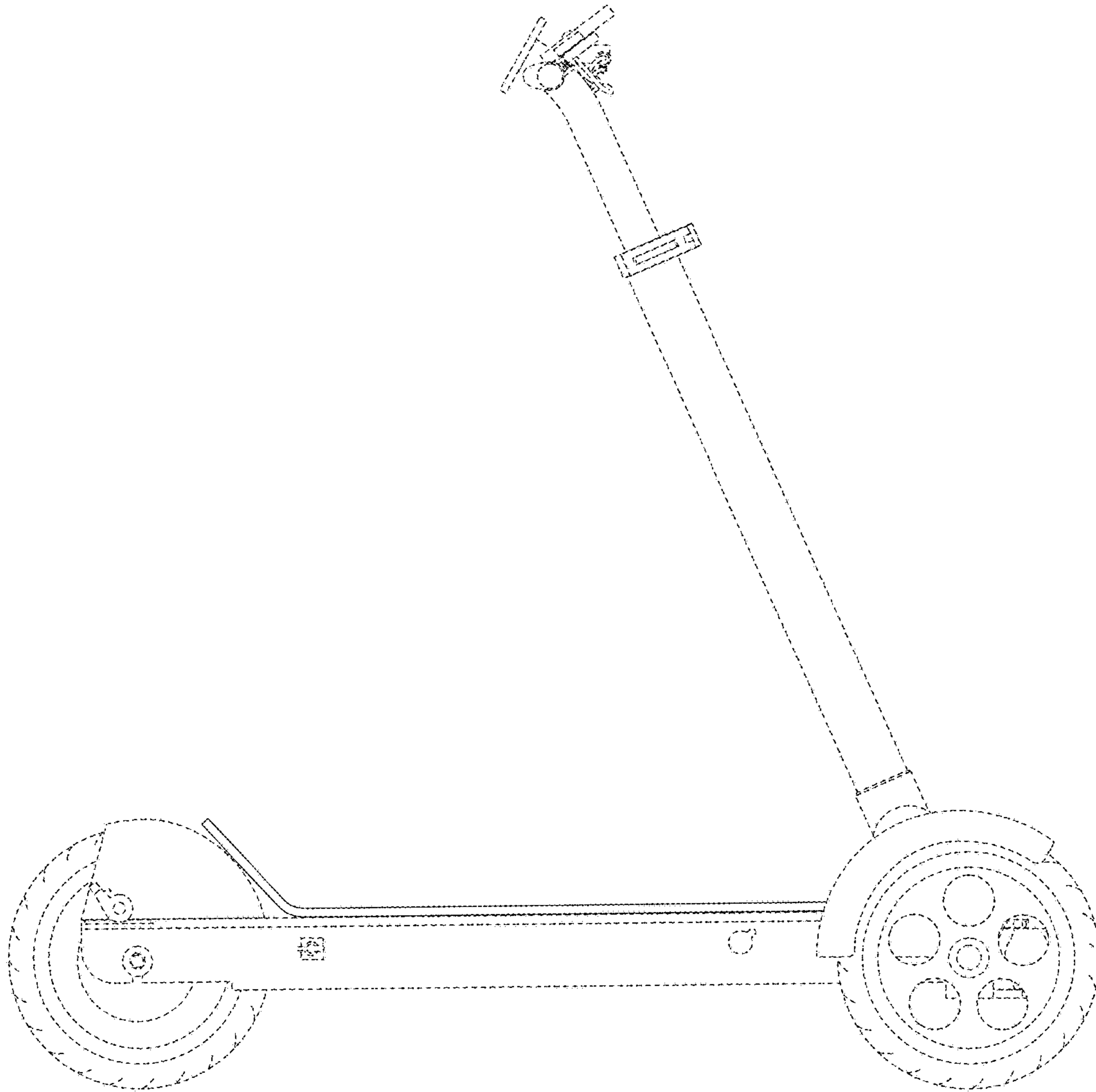


Fig. 5

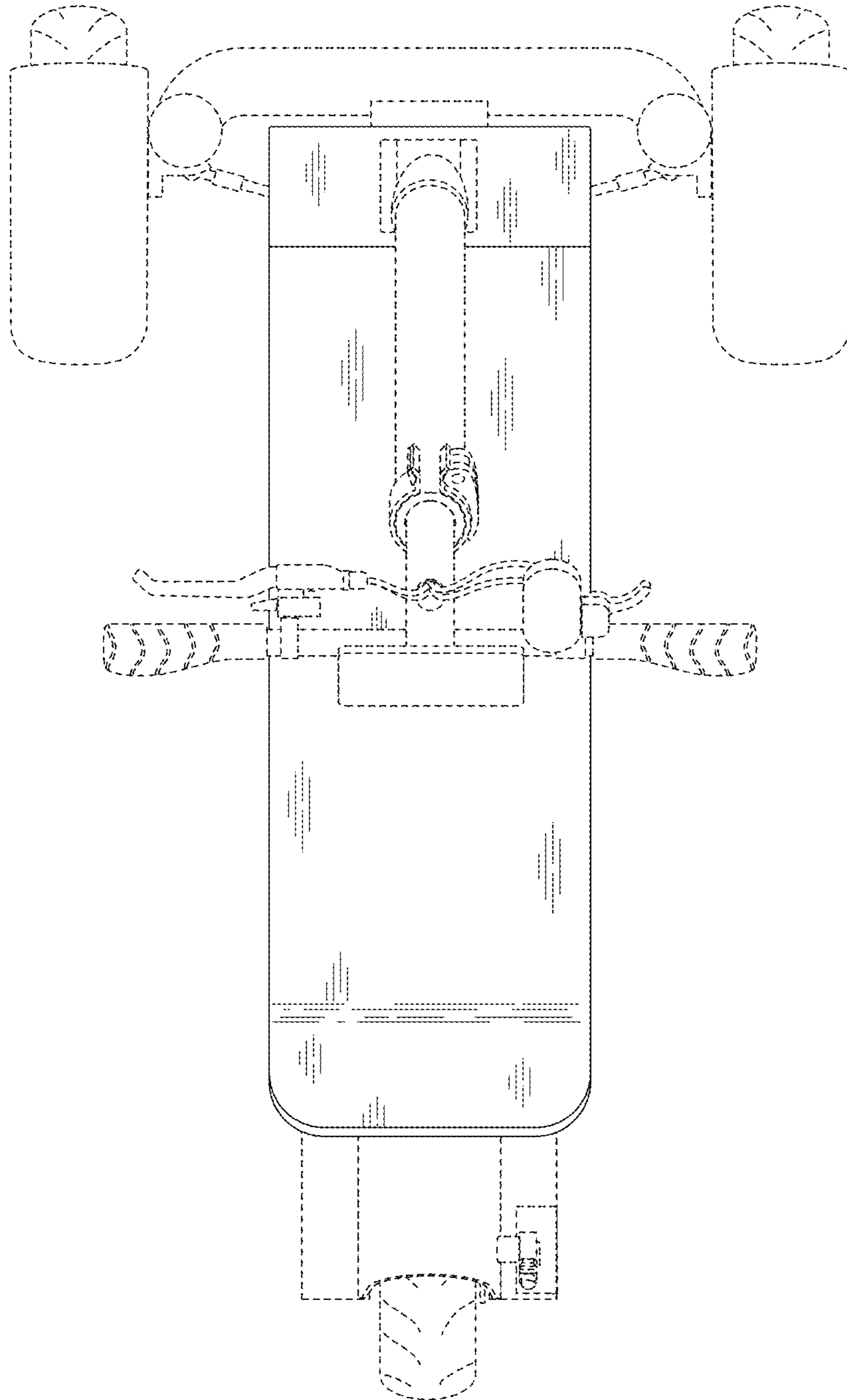


Fig. 6

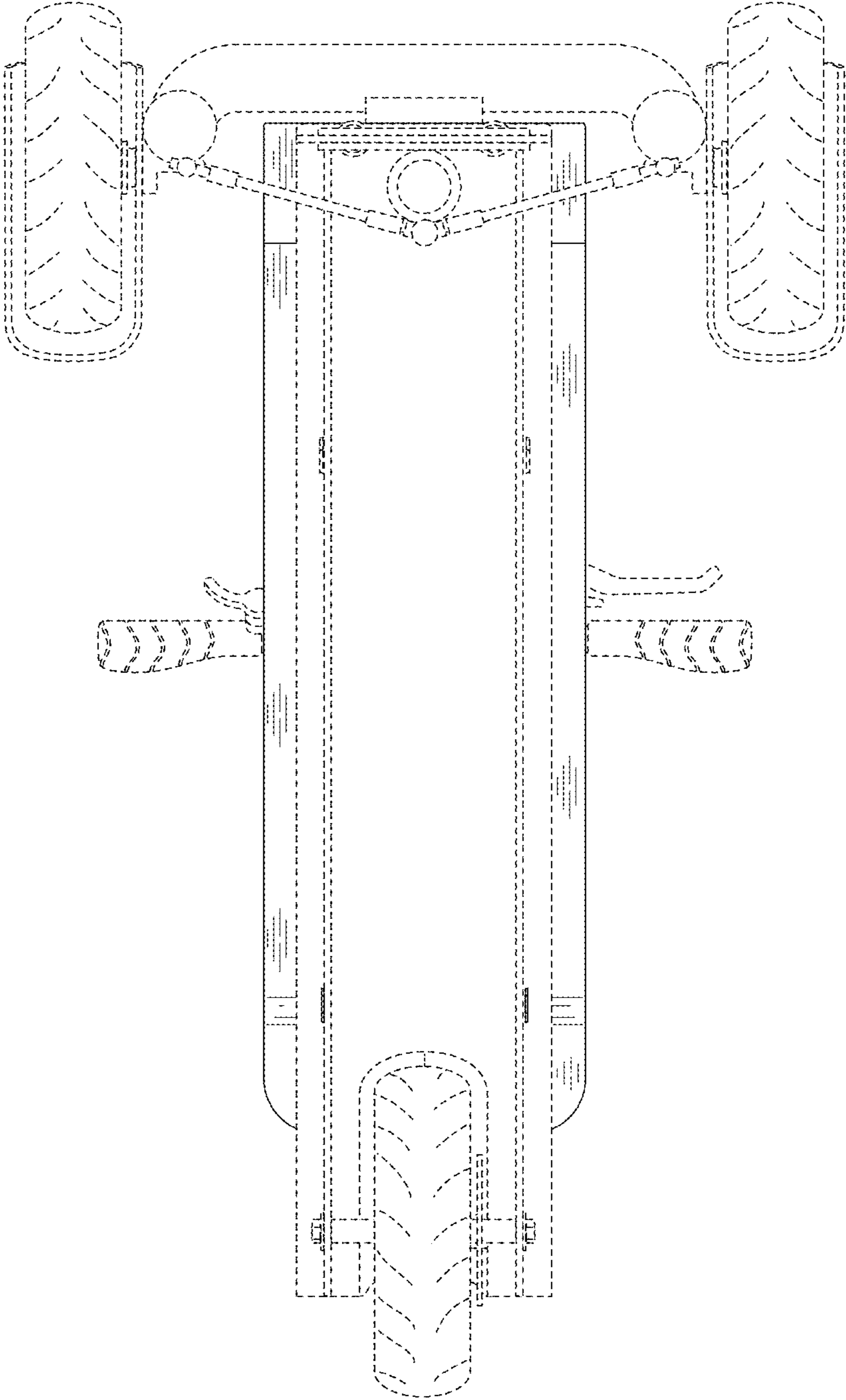


Fig. 7