



US00D781961S

(12) **United States Design Patent**
Jok et al.

(10) **Patent No.:** **US D781,961 S**
(45) **Date of Patent:** **** Mar. 21, 2017**

(54) **HANDHELD TOY DEVICE**

(71) Applicant: **Rehco, LLC**, Chicago, IL (US)

(72) Inventors: **John-Kin Jok**, Kowloon (HK); **Wai Kau Lau**, Tuen Mun (HK)

(73) Assignee: **Rehco, LLC**, Chicago, IL (US)

(**) Term: **14 Years**

(21) Appl. No.: **29/483,346**

(22) Filed: **Feb. 27, 2014**

(51) **LOC (10) Cl.** **21-01**

(52) **U.S. Cl.**
USPC **D21/405; D21/398**

(58) **Field of Classification Search**
USPC D21/398, 401, 405, 408, 411, 468, 483,
D21/513, 514, 516, 517, 532, 567-575;
(Continued)

(56) **References Cited**

U.S. PATENT DOCUMENTS

1,765,645 A * 6/1930 Bauer 446/81
1,867,903 A * 7/1932 Wilcox 446/205
(Continued)

Primary Examiner — Catherine Tuttle

(74) *Attorney, Agent, or Firm* — Brooks Kushman P.C.

(57) **CLAIM**

The ornamental design for a handheld toy device, as shown and described.

DESCRIPTION

FIG. 1 is a front left and top perspective view showing a first embodiment of our new design for a handheld toy device;

FIG. 2 is a front, right and top perspective view of the handheld toy device of FIG. 1;

FIG. 3 is a front view of the handheld toy device of FIG. 1; FIG. 4 is a left side view of the handheld toy device of FIG. 1;

FIG. 5 is a right side view of the handheld toy device of FIG. 1.

FIG. 6 is a top view of the handheld toy device of FIG. 1; FIG. 7 is a bottom view of the handheld toy device of FIG. 1; and

FIG. 8 is a rear view of the handheld toy device of FIG. 1.

FIG. 9 is a front left and top perspective view showing a second embodiment of our new design wherein the receiving funnel includes a fabric insert;

FIG. 10 is a front, right and top perspective view of the handheld toy device having a fabric insert within a receiving funnel of FIG. 9;

FIG. 11 is a front view of the handheld toy device having a fabric insert within a receiving funnel of FIG. 9;

FIG. 12 is a left side view of the handheld toy device having a fabric insert within a receiving funnel of FIG. 9;

FIG. 13 is a right side view of the handheld toy device having a fabric insert within a receiving funnel of FIG. 9.

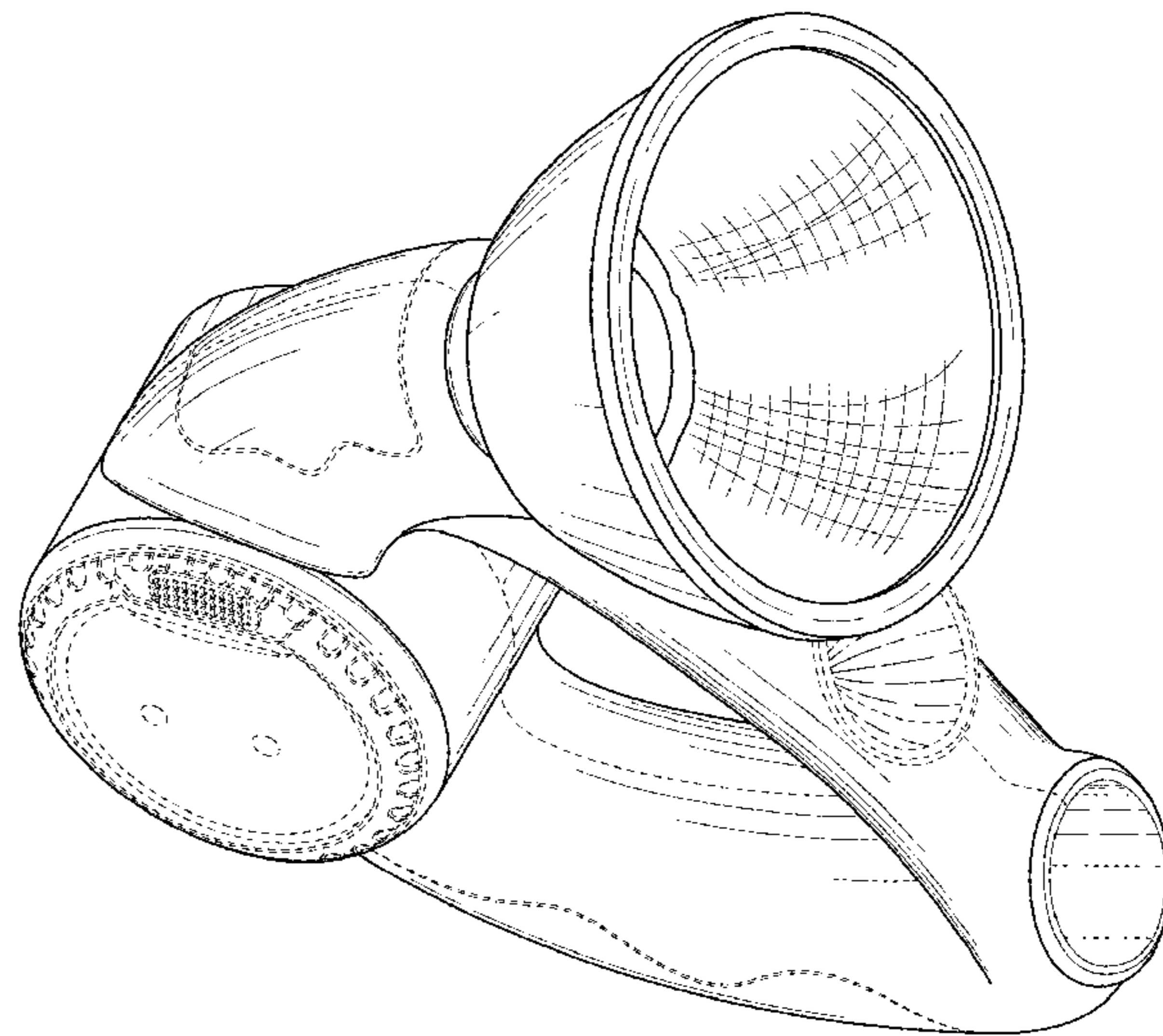
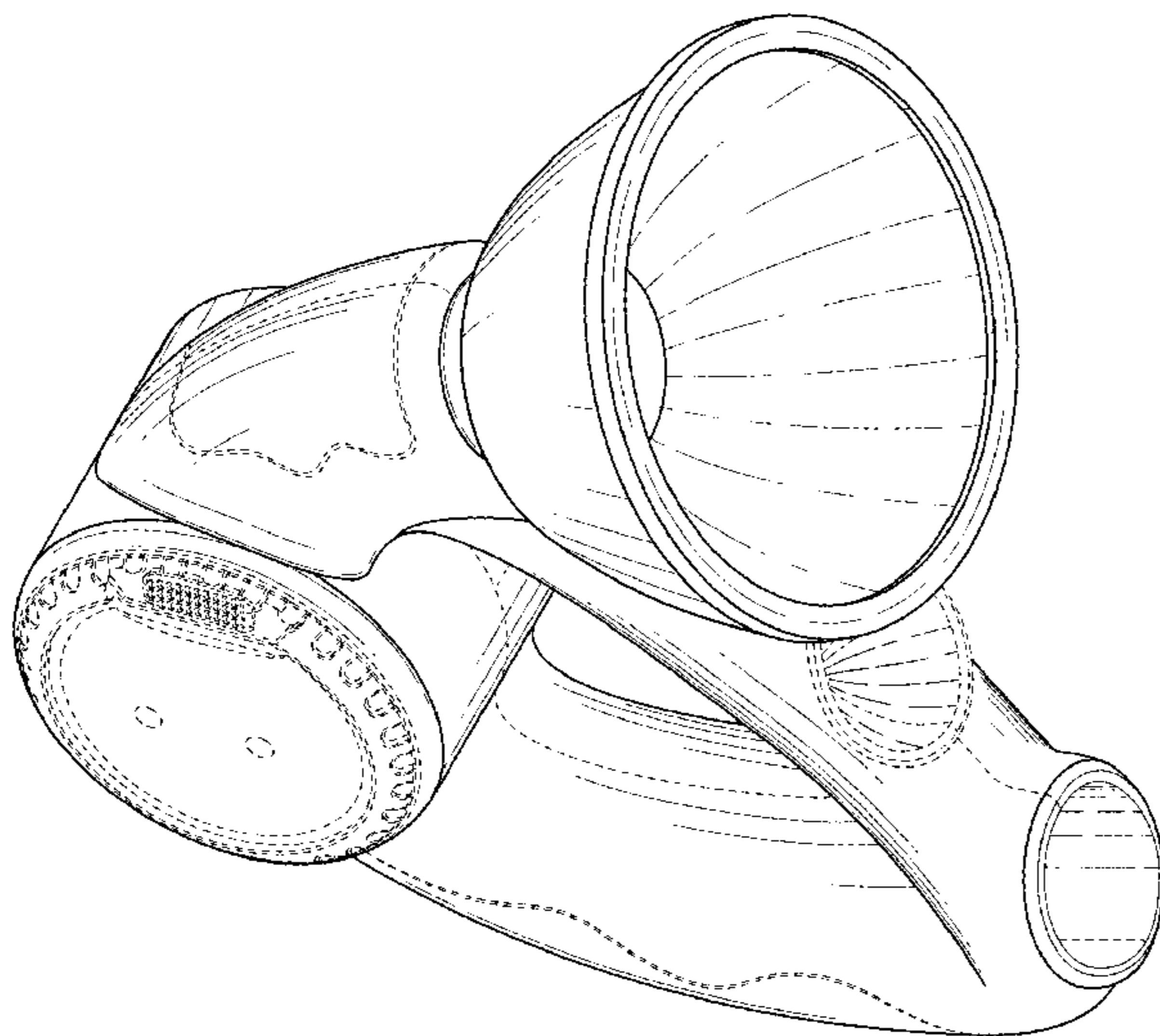
FIG. 14 is a top view of the handheld toy device having a fabric insert within a receiving funnel of FIG. 9;

FIG. 15 is a bottom view of the handheld toy device having a fabric insert within a receiving funnel of FIG. 9; and,

FIG. 16 is a rear view of the handheld toy device having a fabric insert within a receiving funnel of FIG. 9.

In FIGS. 1 through 16, the parting lines form no part of the claimed design. The appearance within the unshaded inner circular regions of FIGS. 1, 2, 6, 9, 10 and 14 forms no part of the claimed design.

1 Claim, 16 Drawing Sheets



(58) **Field of Classification Search**

USPC D14/158, 187; D10/116.1, 119.1–120;
 446/176–179, 188, 199, 200–203, 206,
 446/209, 210, 213, 216, 397, 404, 405,
 446/406, 408, 415, 472, 473, 487, 490,
 446/491, 15–21, 81, 140, 144
 CPC . A63H 5/00; A63H 5/04; A63H 33/00; A63H
 33/30; A63H 33/3072; A63H 37/00
 See application file for complete search history.

(56) **References Cited**

U.S. PATENT DOCUMENTS

D168,035	S *	10/1952	Jacobs	D32/75
D185,378	S *	6/1959	McLain	D21/574
3,343,298	A *	9/1967	Green	446/416
3,903,865	A *	9/1975	Kaneko	124/64
4,764,145	A *	8/1988	Kirby	446/208
4,806,909	A *	2/1989	Arcand	340/384.3
D323,166	S *	1/1992	Hino et al.	D14/195
5,162,011	A *	11/1992	Frisque	446/297
5,259,807	A *	11/1993	Crow	446/397
D380,016	S *	6/1997	Jaeb et al.	D21/483
5,664,947	A *	9/1997	Dietterich et al.	434/84
6,241,571	B1 *	6/2001	Chow	446/18
D453,197	S *	1/2002	Hornsby et al.	D21/401
6,568,504	B2 *	5/2003	Cowgill et al.	181/178
D487,293	S *	3/2004	Zuloff	D21/574
D508,720	S *	8/2005	Yuen	D21/405
D680,999	S *	4/2013	Chan	D14/158
8,474,505	B2 *	7/2013	Ozuna et al.	156/578
2007/0037467	A1 *	2/2007	Thai	446/15
2007/0207700	A1 *	9/2007	Ellis	446/484

* cited by examiner

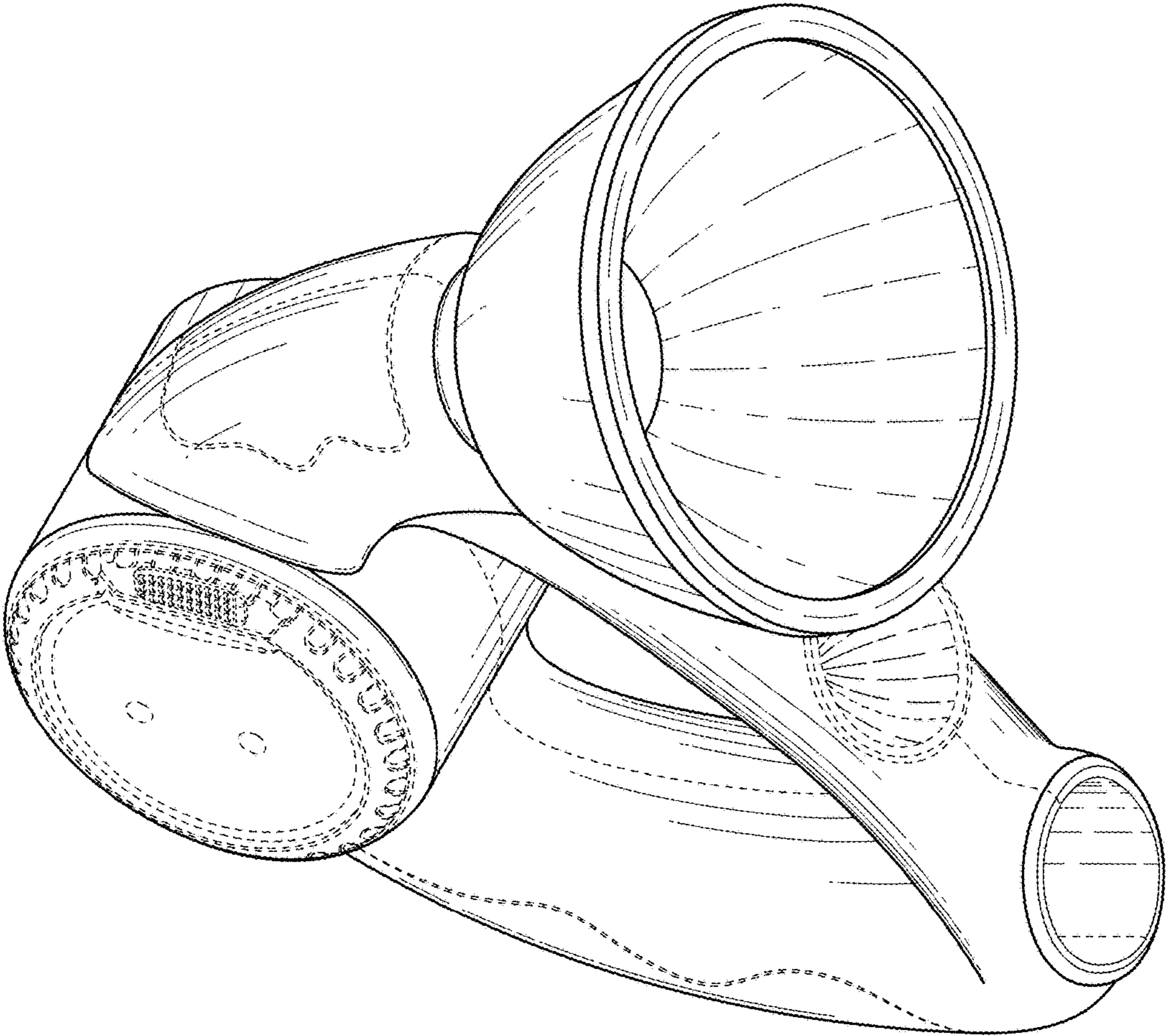


FIG. 1

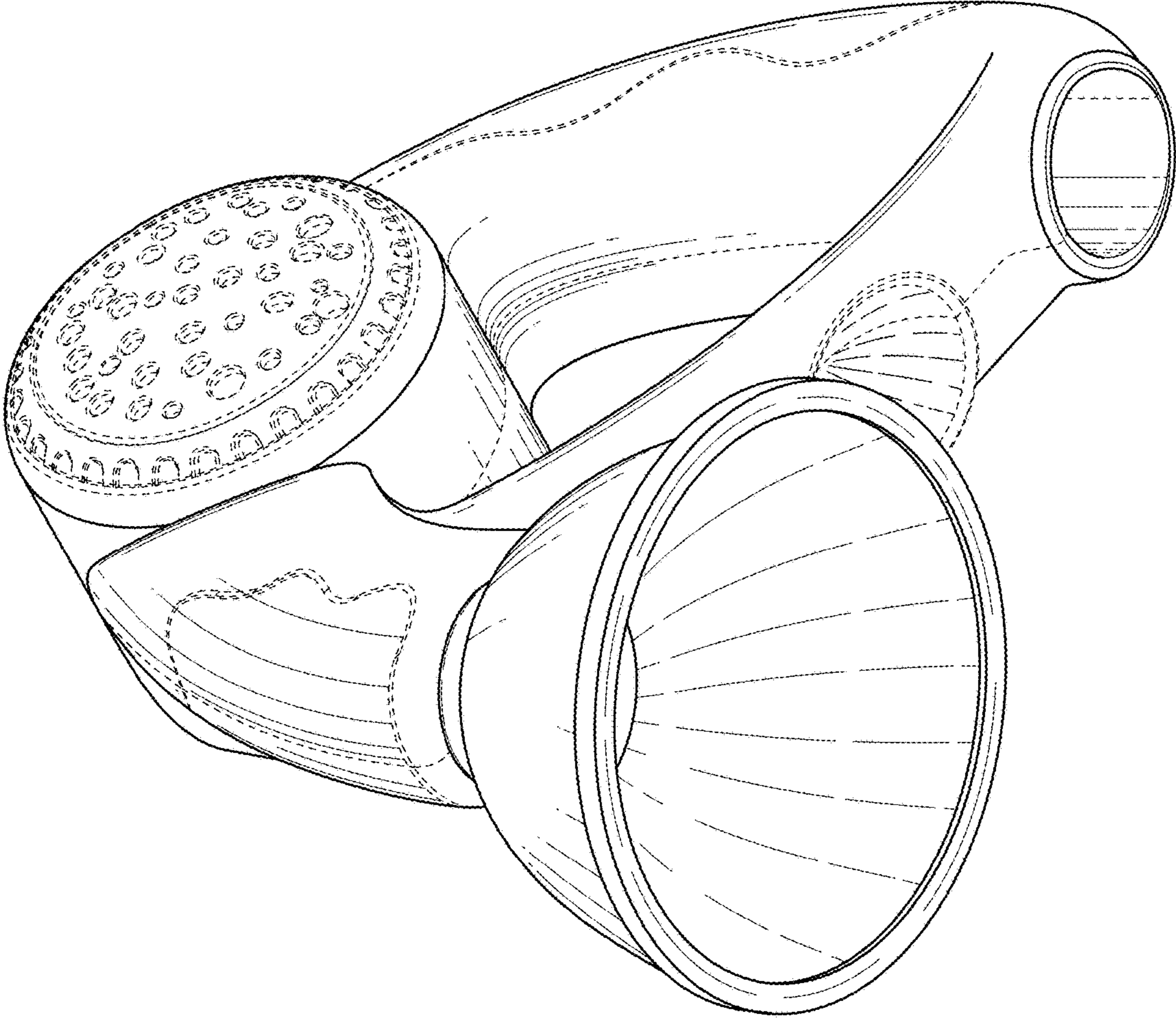


FIG. 2

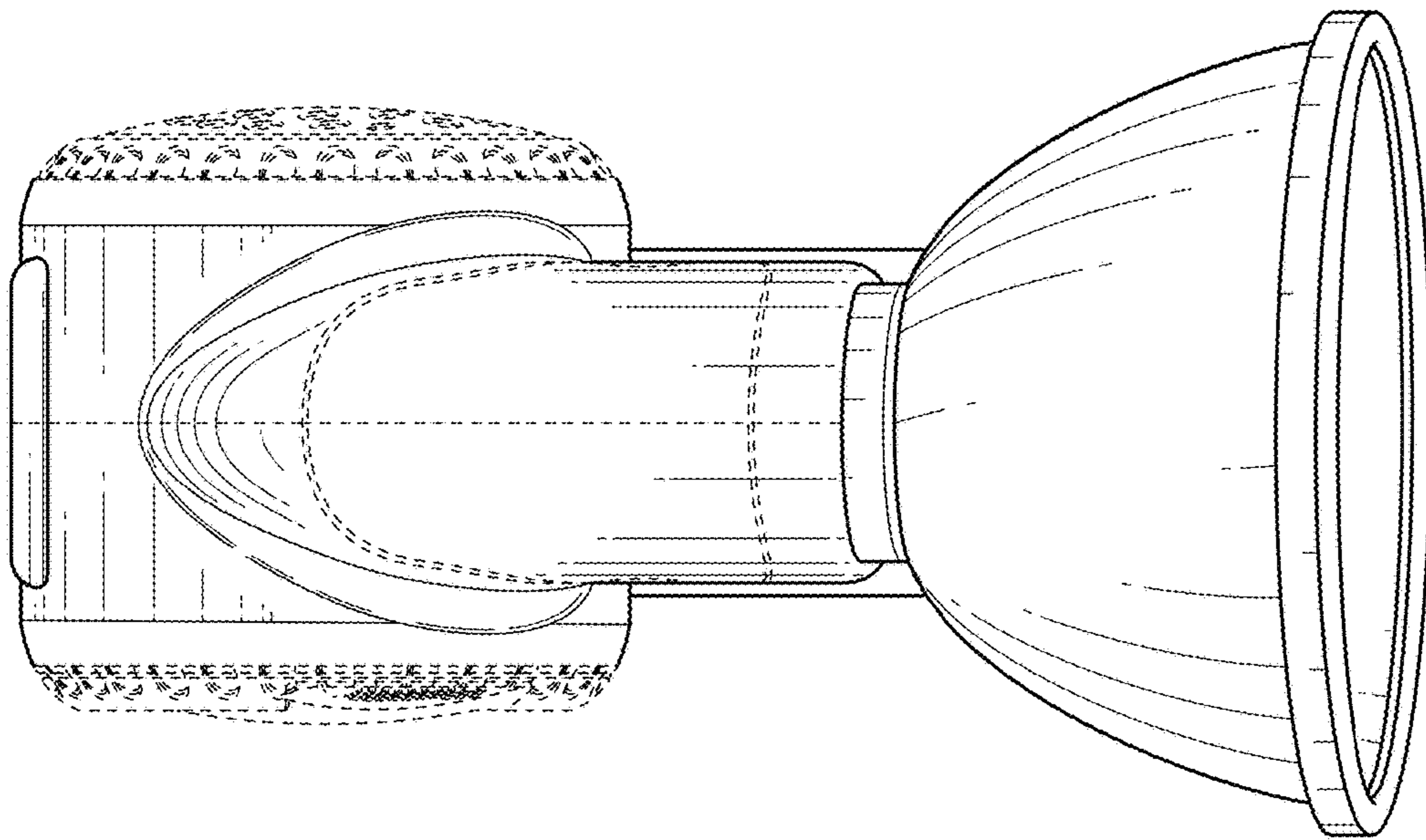


FIG. 3

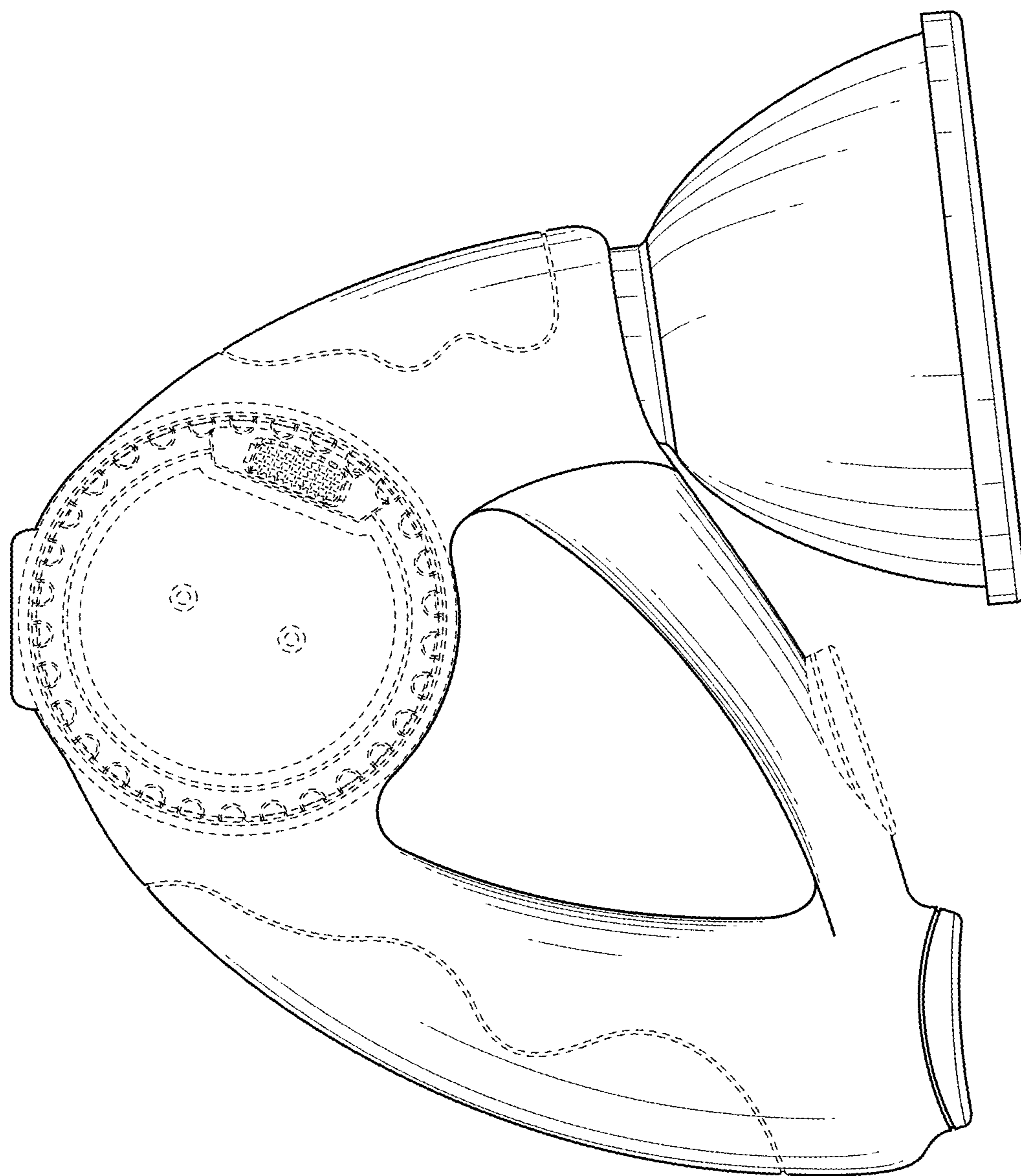


FIG. 4

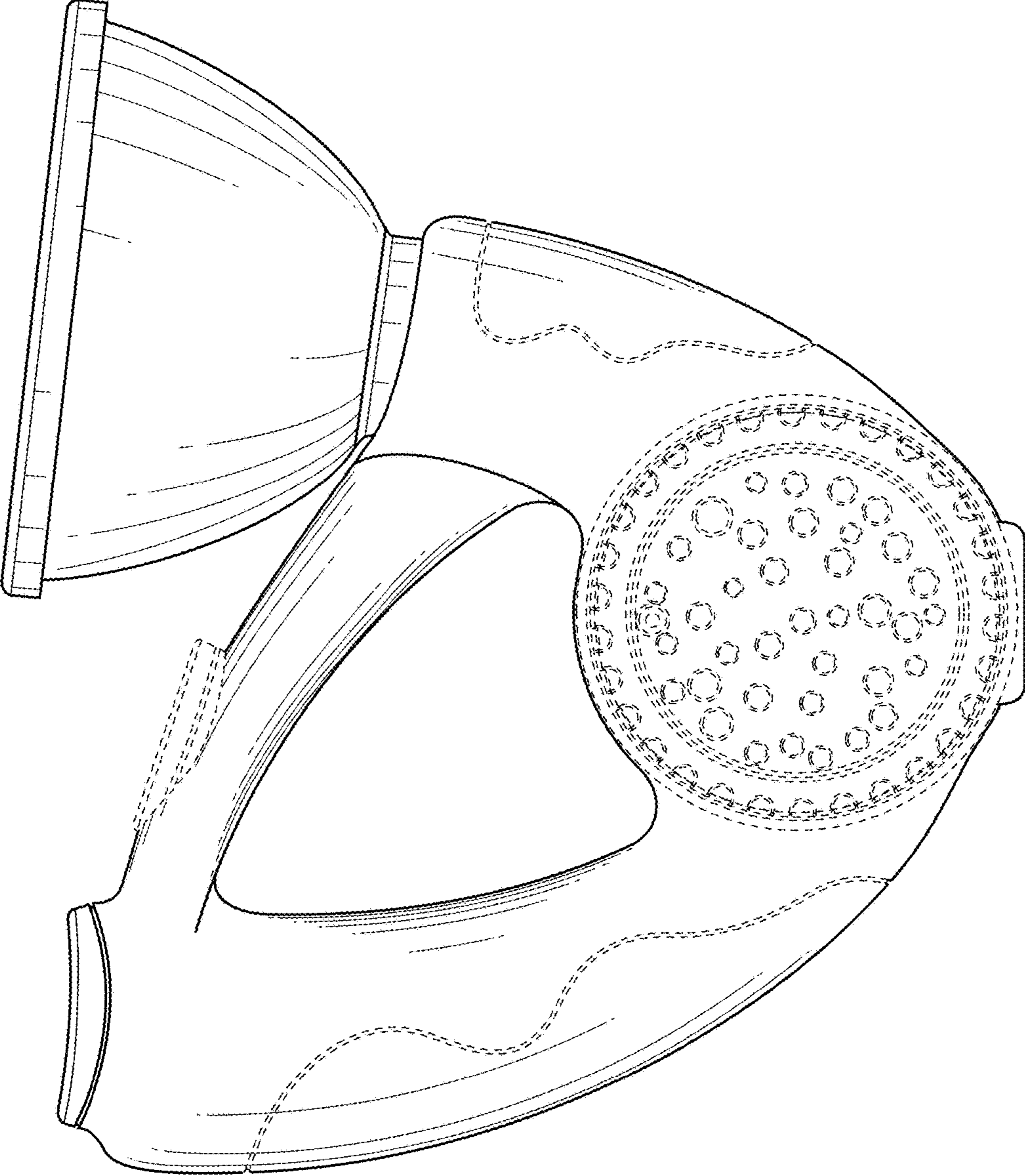


FIG. 5

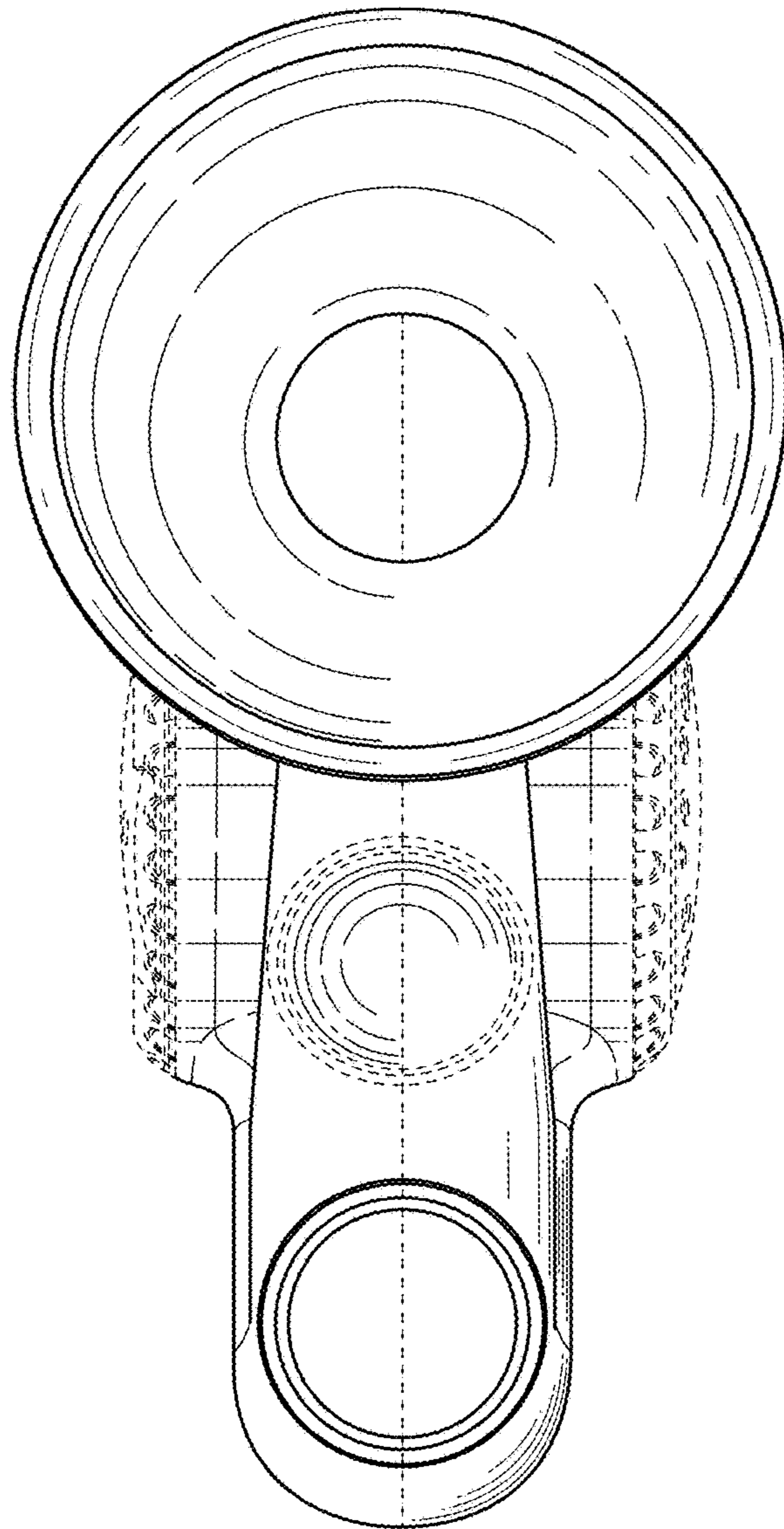


FIG. 6

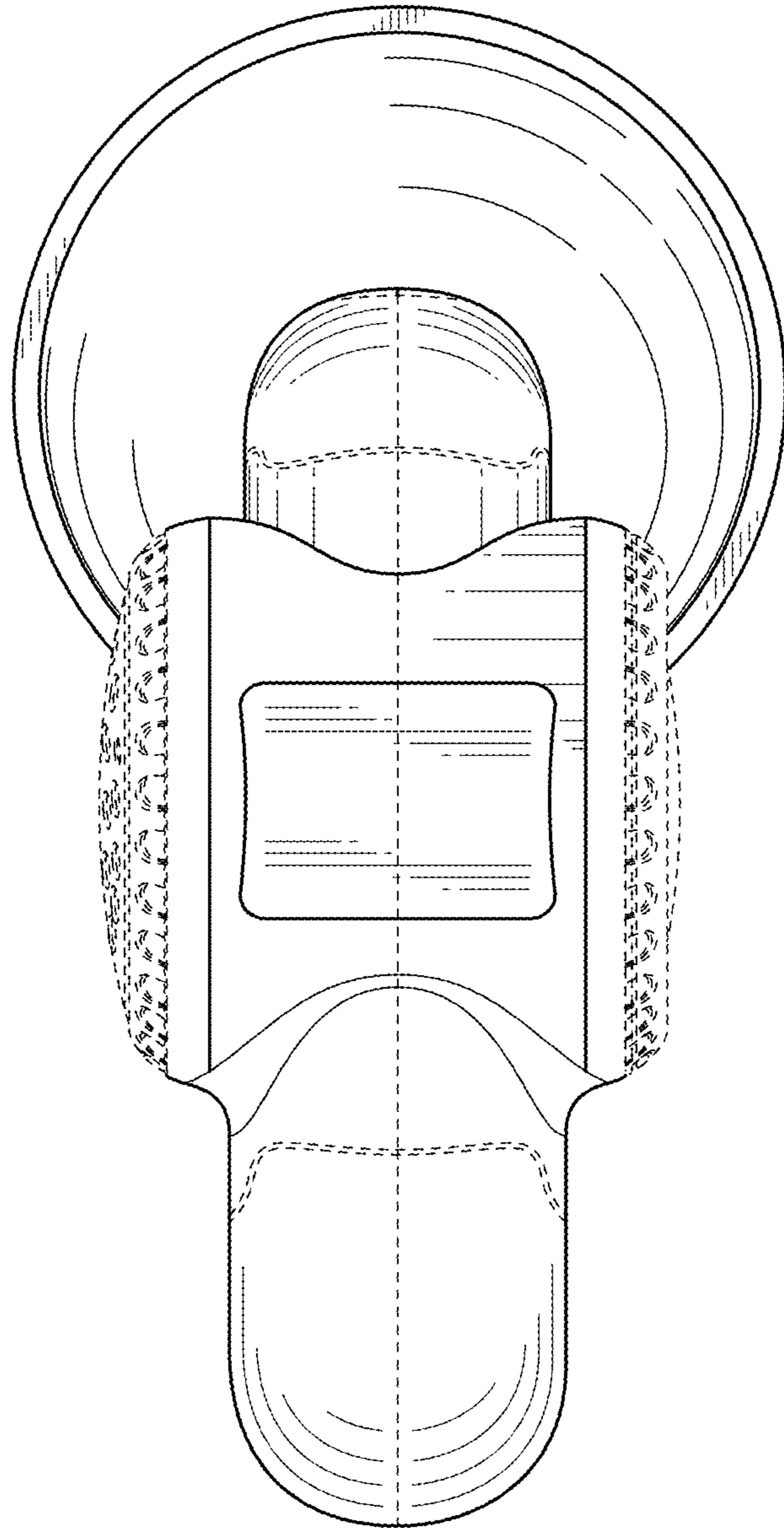


FIG. 7

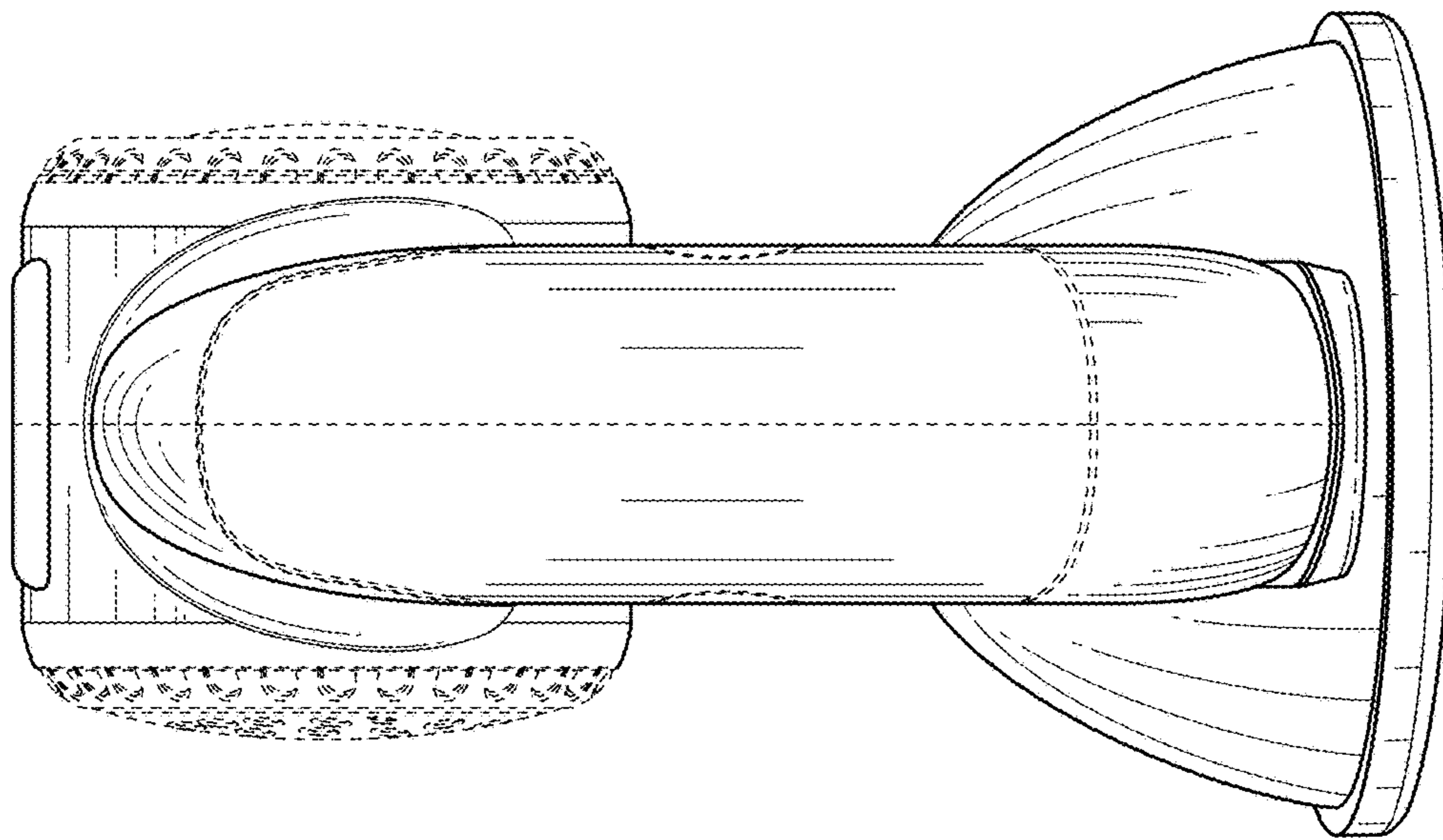


FIG. 8

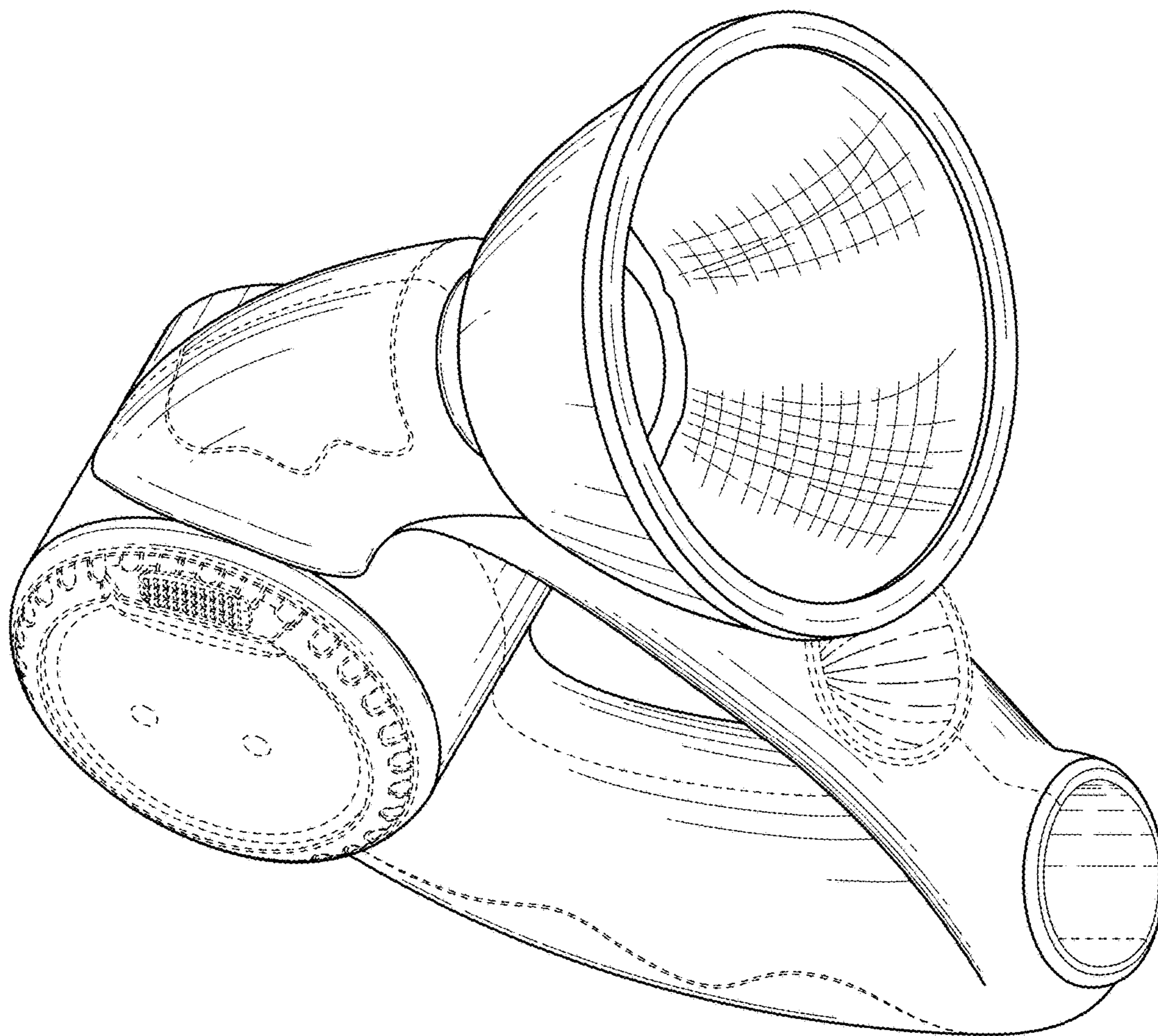


FIG. 9

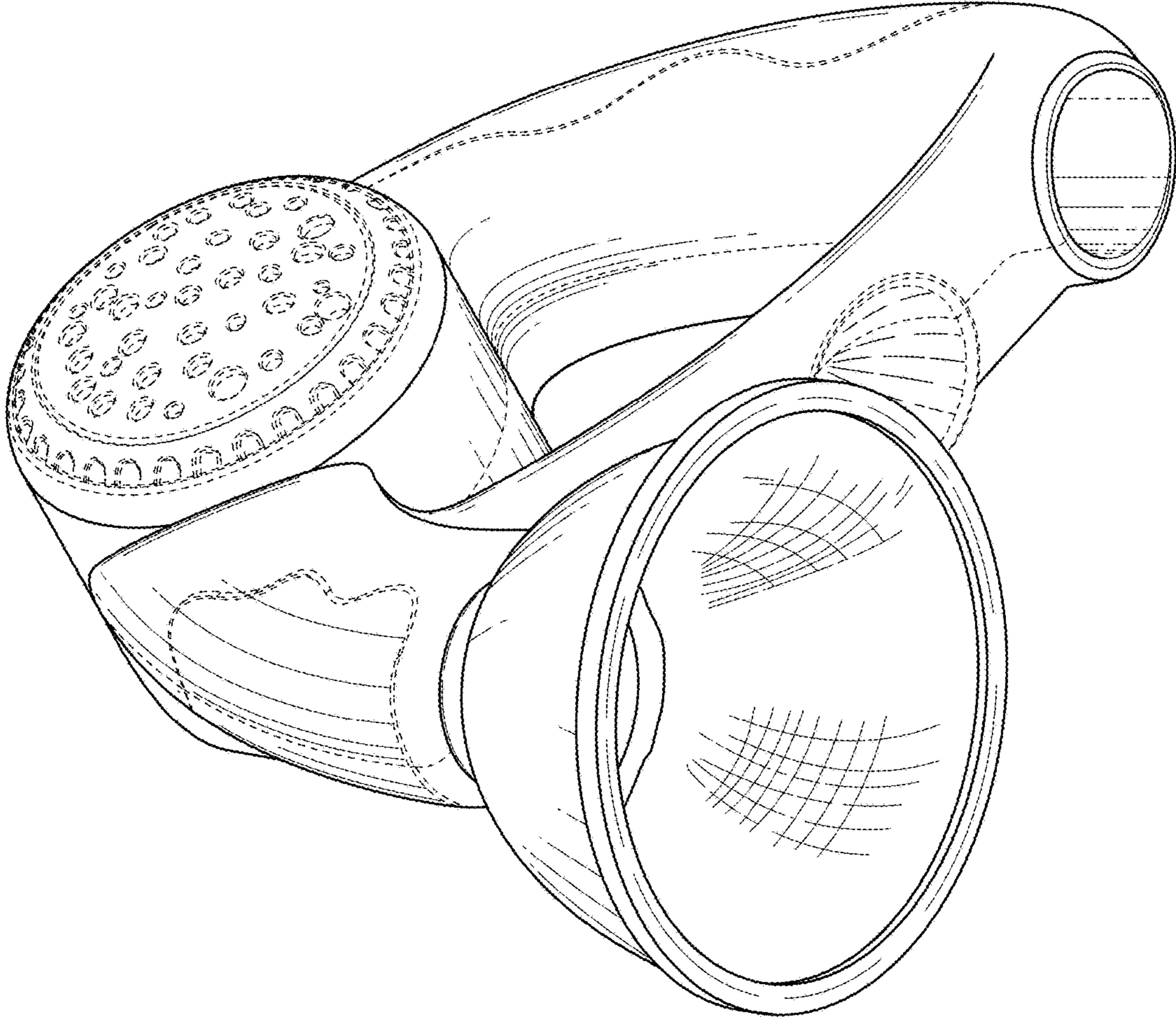


FIG. 10

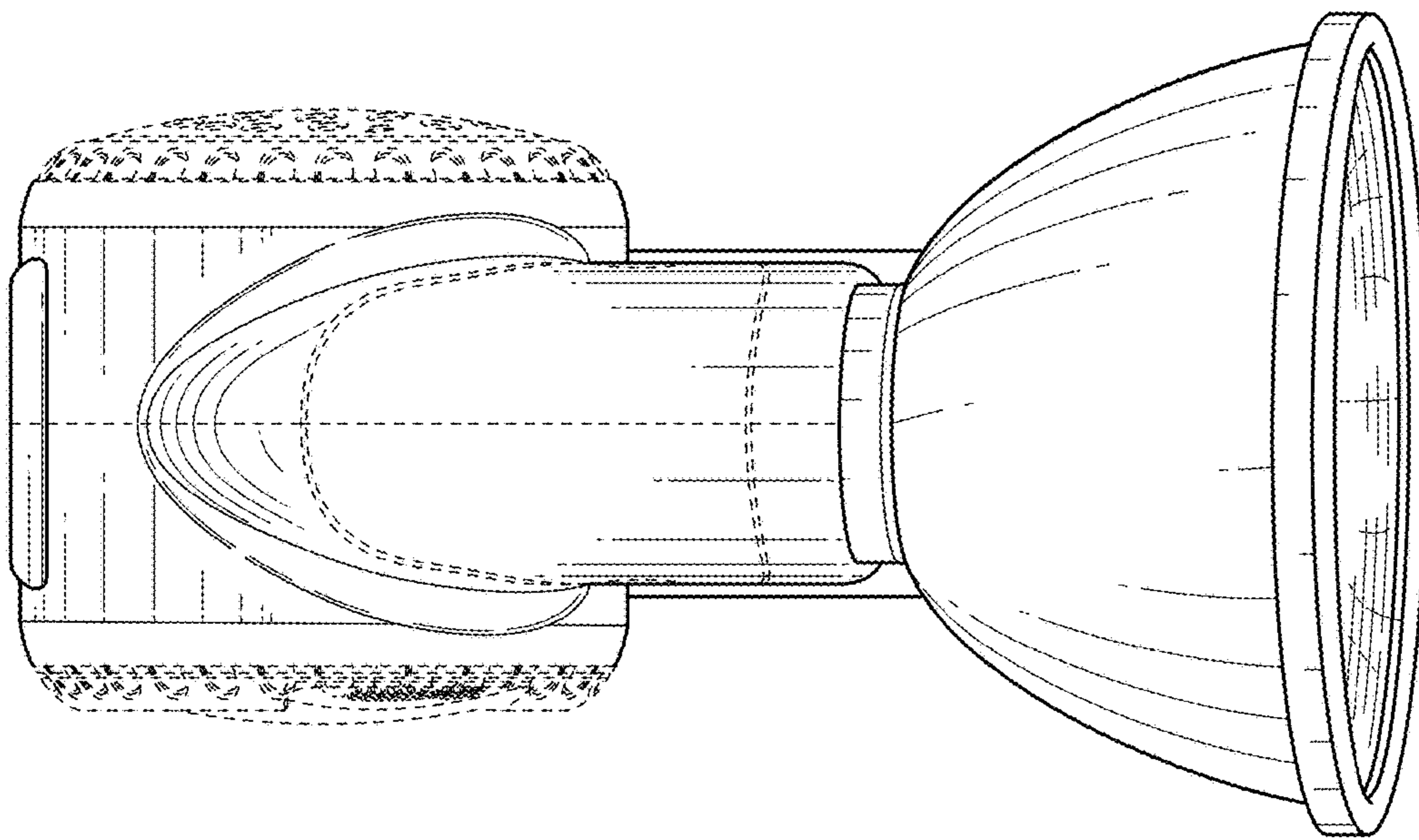


FIG. 11

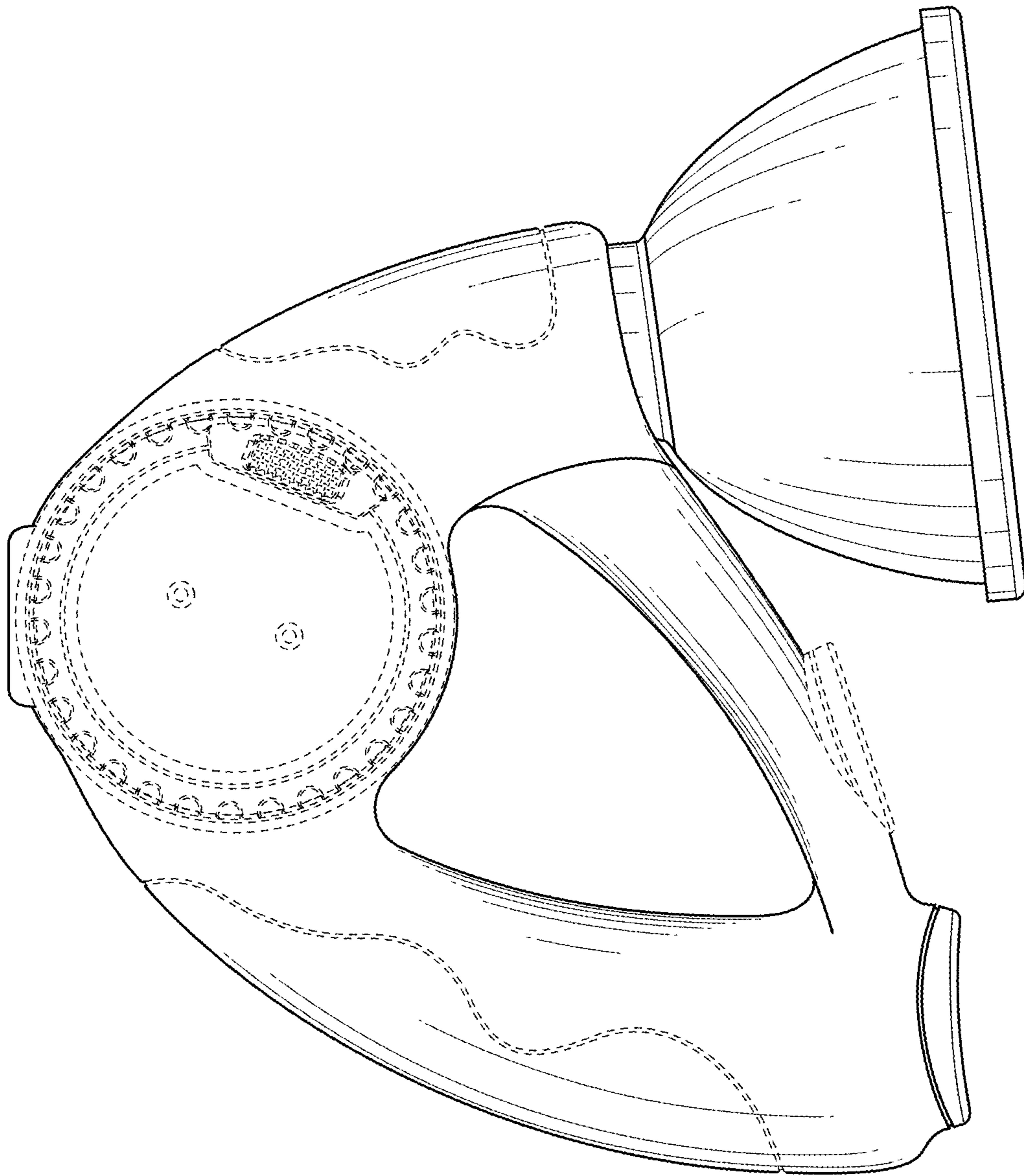


FIG. 12

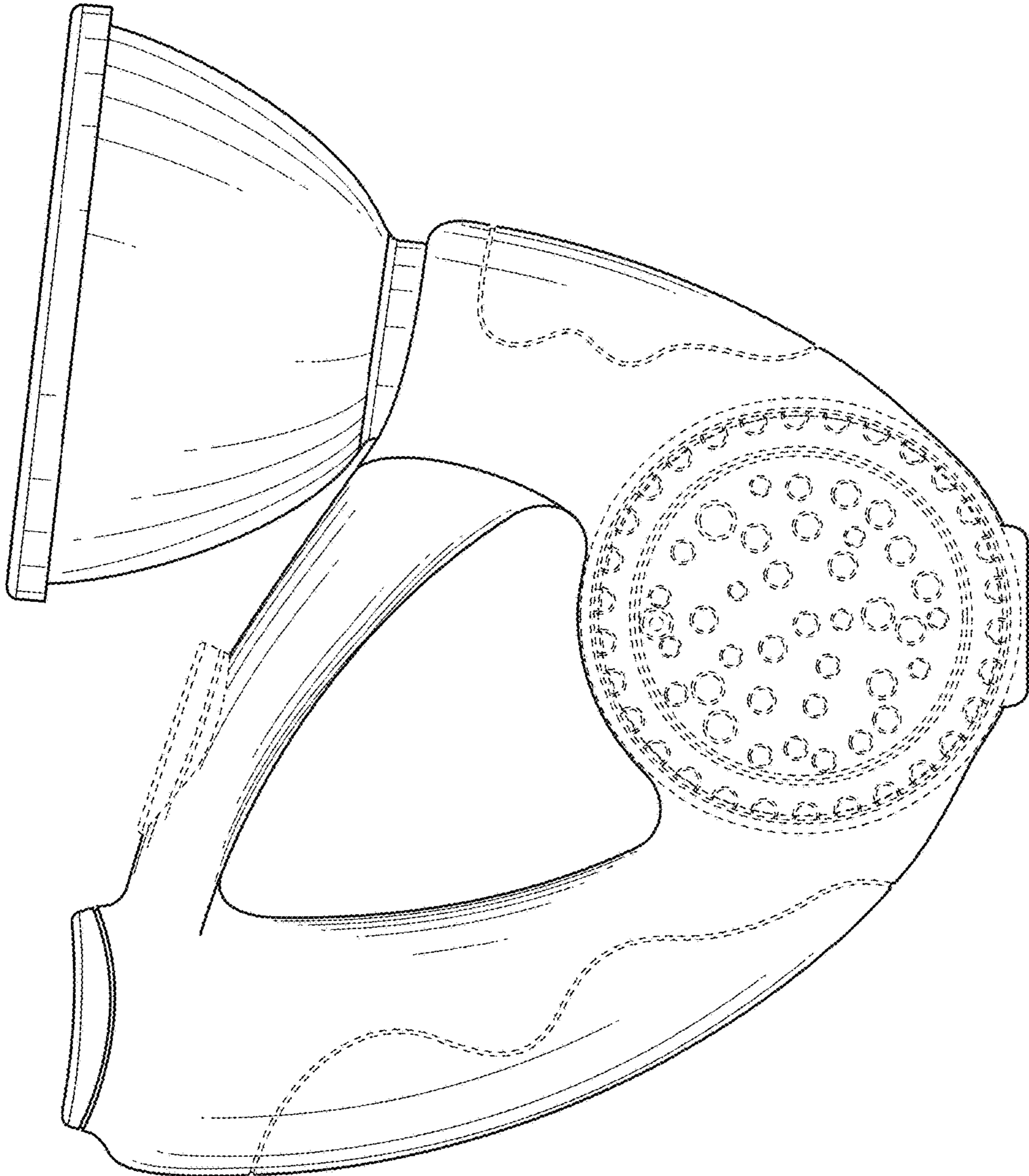


FIG. 13

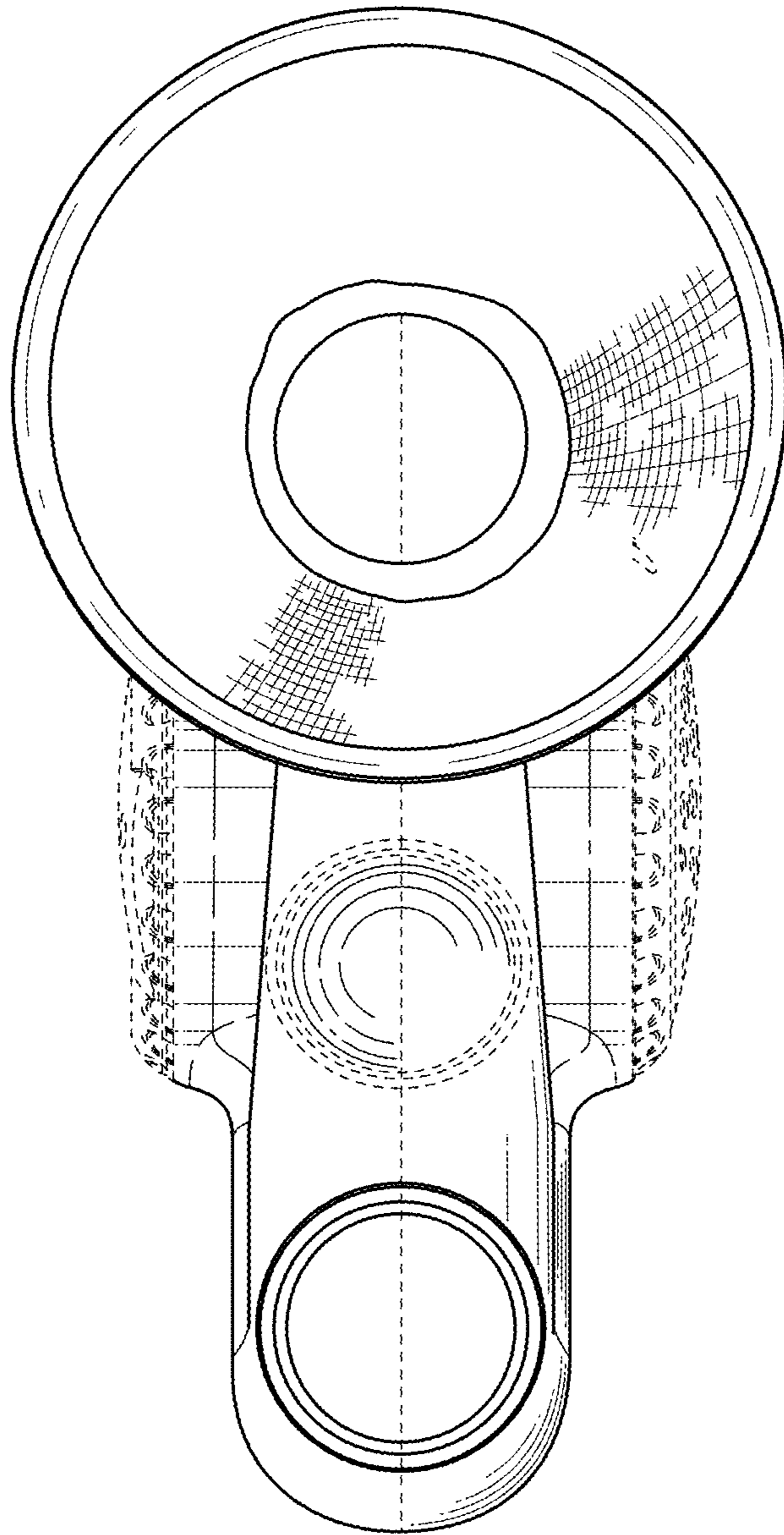


FIG. 14

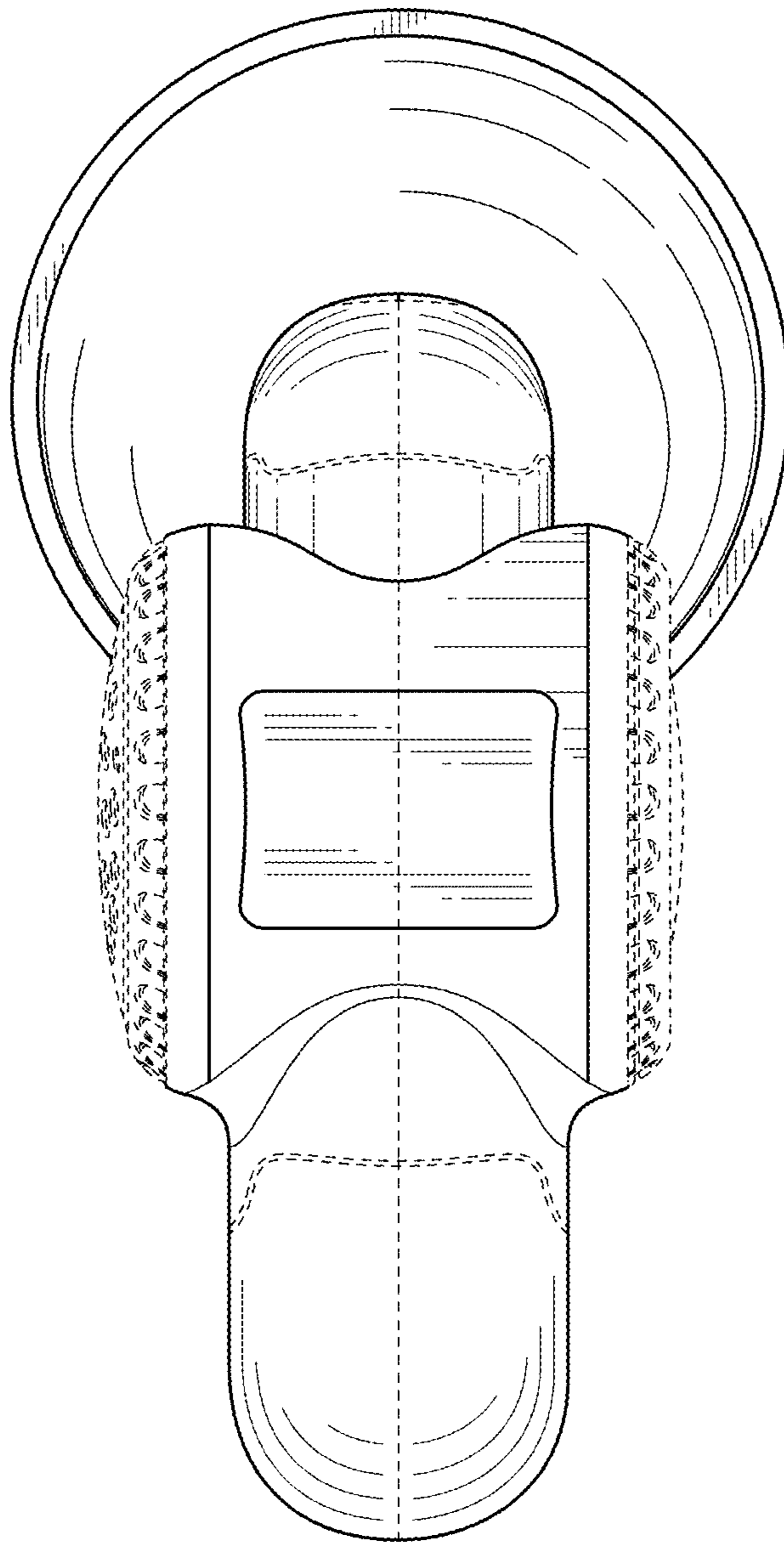


FIG. 15

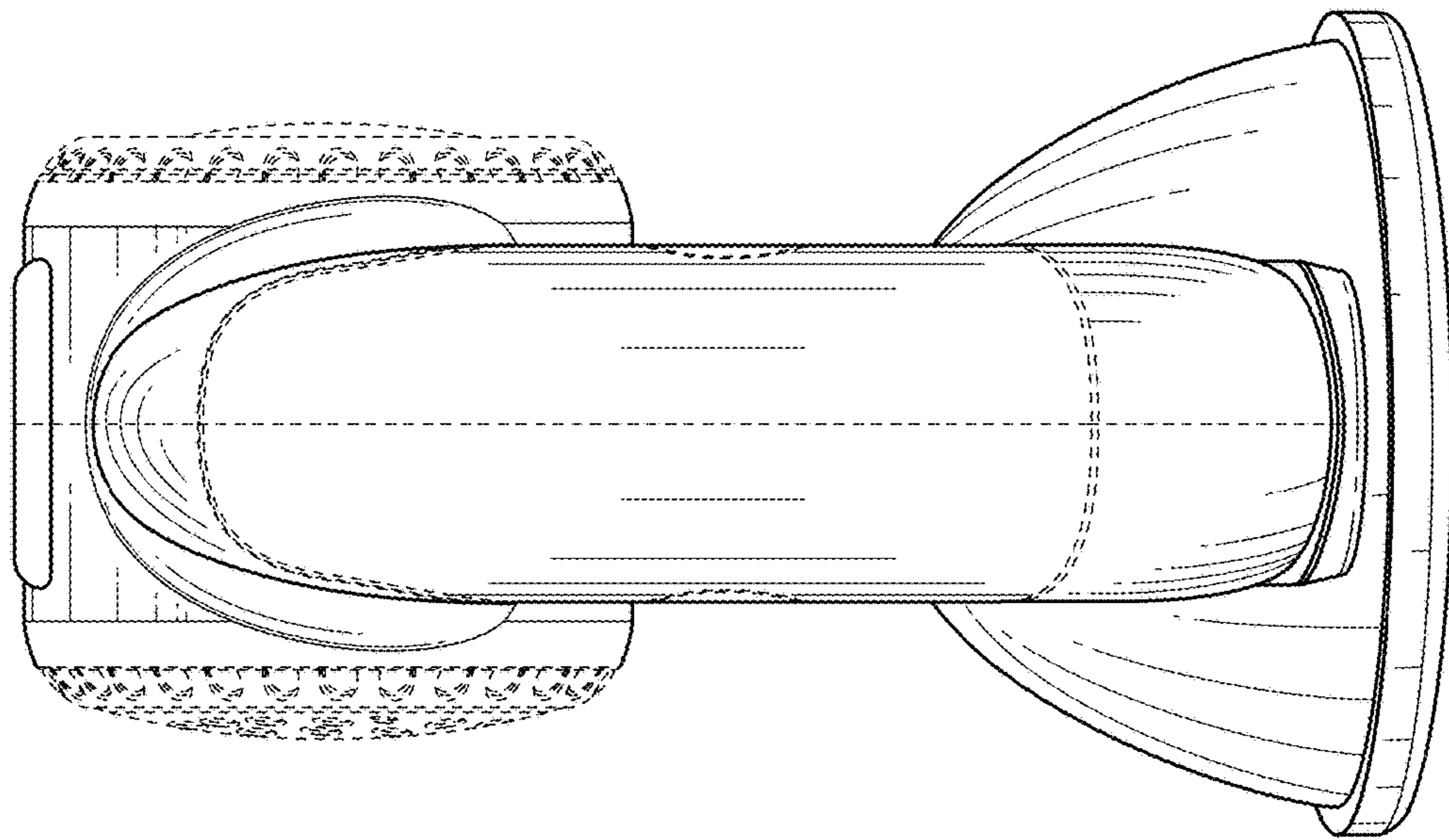


FIG. 16