



US00D781960S

(12) **United States Design Patent**  
**Czwalga**

(10) **Patent No.:** **US D781,960 S**  
(45) **Date of Patent:** **\*\* Mar. 21, 2017**

- (54) **TOSSING GAME WITH AN ELECTRONIC SCOREBOARD**
- (71) Applicant: **Steven E. Czwalga**, Wexford, PA (US)
- (72) Inventor: **Steven E. Czwalga**, Wexford, PA (US)
- (73) Assignee: **LED Games, LLC**, Wexford, PA (US)
- (\*\*) Term: **15 Years**
- (21) Appl. No.: **29/532,617**
- (22) Filed: **Jul. 8, 2015**
- (51) **LOC (10) Cl.** ..... **21-01**
- (52) **U.S. Cl.**  
USPC ..... **D21/303**
- (58) **Field of Classification Search**  
USPC ..... D21/300, 302, 303, 318, 334; 273/317, 273/331, 336, 398, 400, 402, 407, 408, 273/410, 118 R, 123 R, 236, 348, 386, 273/287, DIG. 24; 473/569, 578, 592, 473/570, 571, 577, 594; 446/46, 47; 73/901  
CPC ..... A63B 63/00; A63B 67/00; A63B 71/00; A63B 43/06  
See application file for complete search history.

- D363,953 S \* 11/1995 Buse ..... D21/303
- D375,125 S \* 10/1996 Mallek ..... D21/303
- 5,685,779 A \* 11/1997 Tsoukalas ..... A63D 15/20 473/1
- 5,871,216 A \* 2/1999 Sparacino ..... A63B 63/08 273/402
- 6,816,130 B1 \* 11/2004 Shishido ..... A63B 71/06 345/1.2
- 7,117,619 B1 \* 10/2006 Huber ..... A63B 71/0672 116/222
- D544,014 S \* 6/2007 Fuchs ..... D16/313
- D635,197 S \* 3/2011 Pryor ..... D21/303
- D645,520 S \* 9/2011 Dahl ..... D21/303
- 8,277,344 B2 \* 10/2012 Cea ..... A63B 43/06 473/570
- 8,465,022 B2 \* 6/2013 Weiss ..... A63F 3/00028 273/277

(Continued)

*Primary Examiner* — Prabhakar Deshmukh  
(74) *Attorney, Agent, or Firm* — Christopher Pilling

(57) **CLAIM**

The ornamental design for a tossing game with an electronic scoreboard, as shown and described.

**DESCRIPTION**

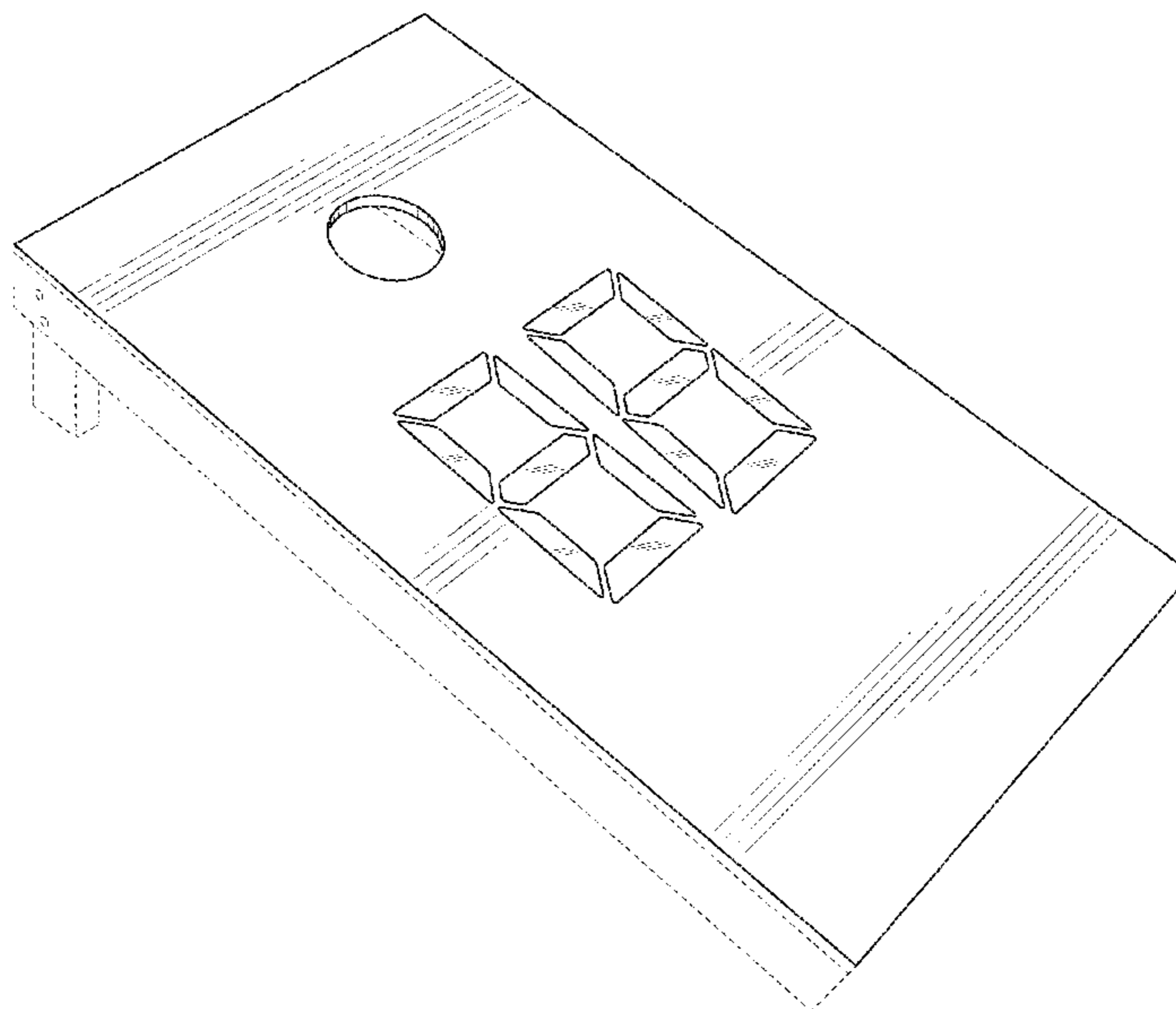
FIG. 1 is a front, left, side perspective view of a tossing game with an electronic scoreboard showing my new design;  
FIG. 2 is a front elevational view thereof;  
FIG. 3 is a rear elevational view thereof;  
FIG. 4 is a top plan view thereof;  
FIG. 5 is a bottom plan view thereof; and,  
FIG. 6 is a left side elevational view thereof, the right side elevational being a mirror image thereof.  
The broken lines depict environmental subject matter only and form no part of the claimed design.

**1 Claim, 5 Drawing Sheets**

(56) **References Cited**

U.S. PATENT DOCUMENTS

- 4,220,330 A \* 9/1980 Montgomery ..... A63B 21/28 273/452
- 4,938,485 A \* 7/1990 Hockridge ..... A63F 9/02 273/354
- 4,943,065 A \* 7/1990 DeLapa ..... A63B 67/06 273/402
- 4,961,586 A \* 10/1990 Conville ..... A63B 67/06 273/402
- 5,009,877 A \* 4/1991 Steck ..... G11B 5/70636 106/286.8



(56)

**References Cited**

U.S. PATENT DOCUMENTS

8,607,725 B2 \* 12/2013 Degirmenci ..... A63B 71/0672  
116/222  
D706,355 S \* 6/2014 Montenare ..... D21/303  
8,807,569 B1 \* 8/2014 Davis ..... A63B 67/06  
273/371  
D721,137 S \* 1/2015 Sindaco ..... D21/303  
D729,319 S \* 5/2015 Meissner ..... D21/303  
2010/0317470 A1 \* 12/2010 Cea ..... A63B 43/06  
473/570  
2012/0256373 A1 \* 10/2012 Tam ..... A63D 15/20  
273/148 R

\* cited by examiner

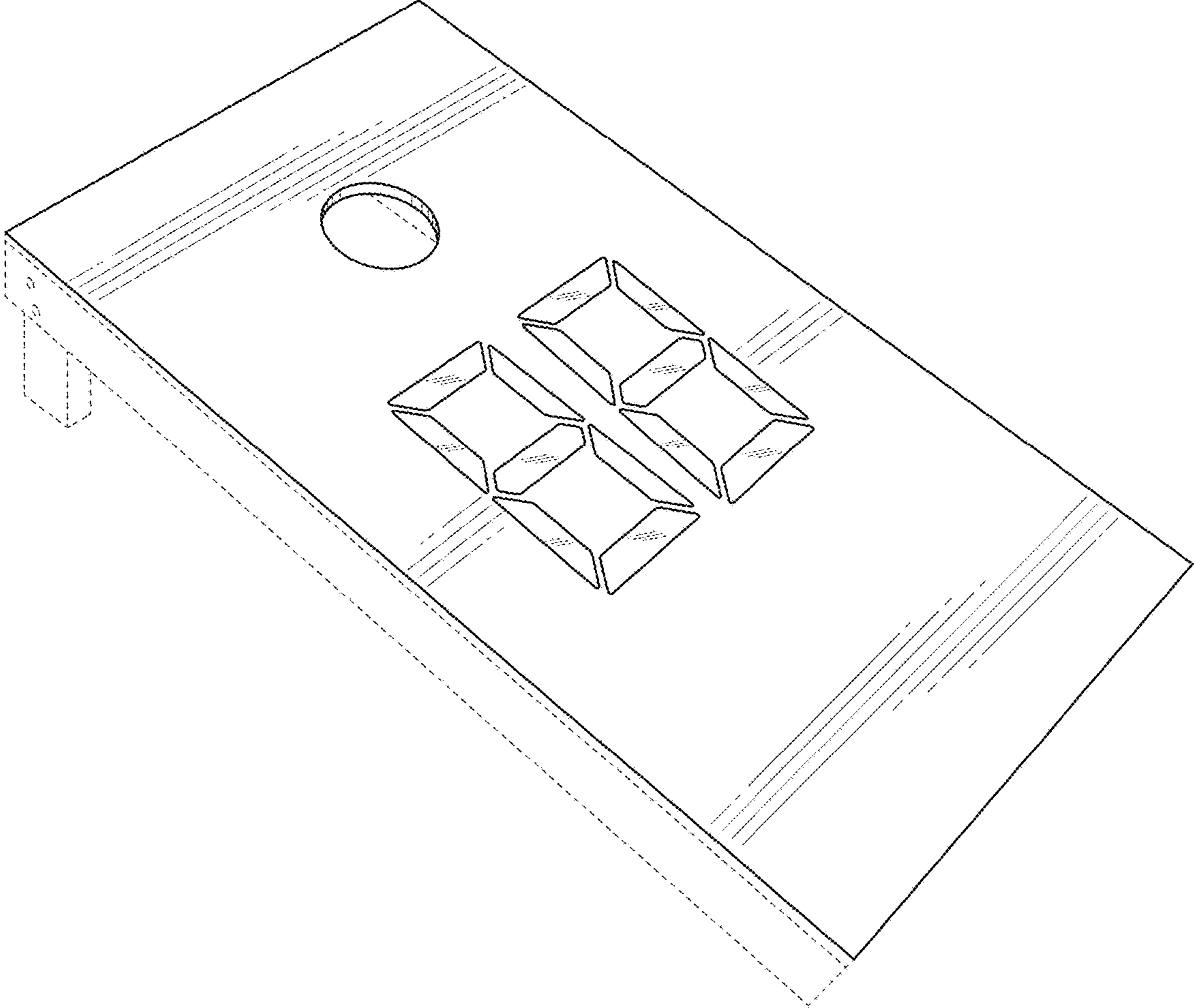


FIG. 1

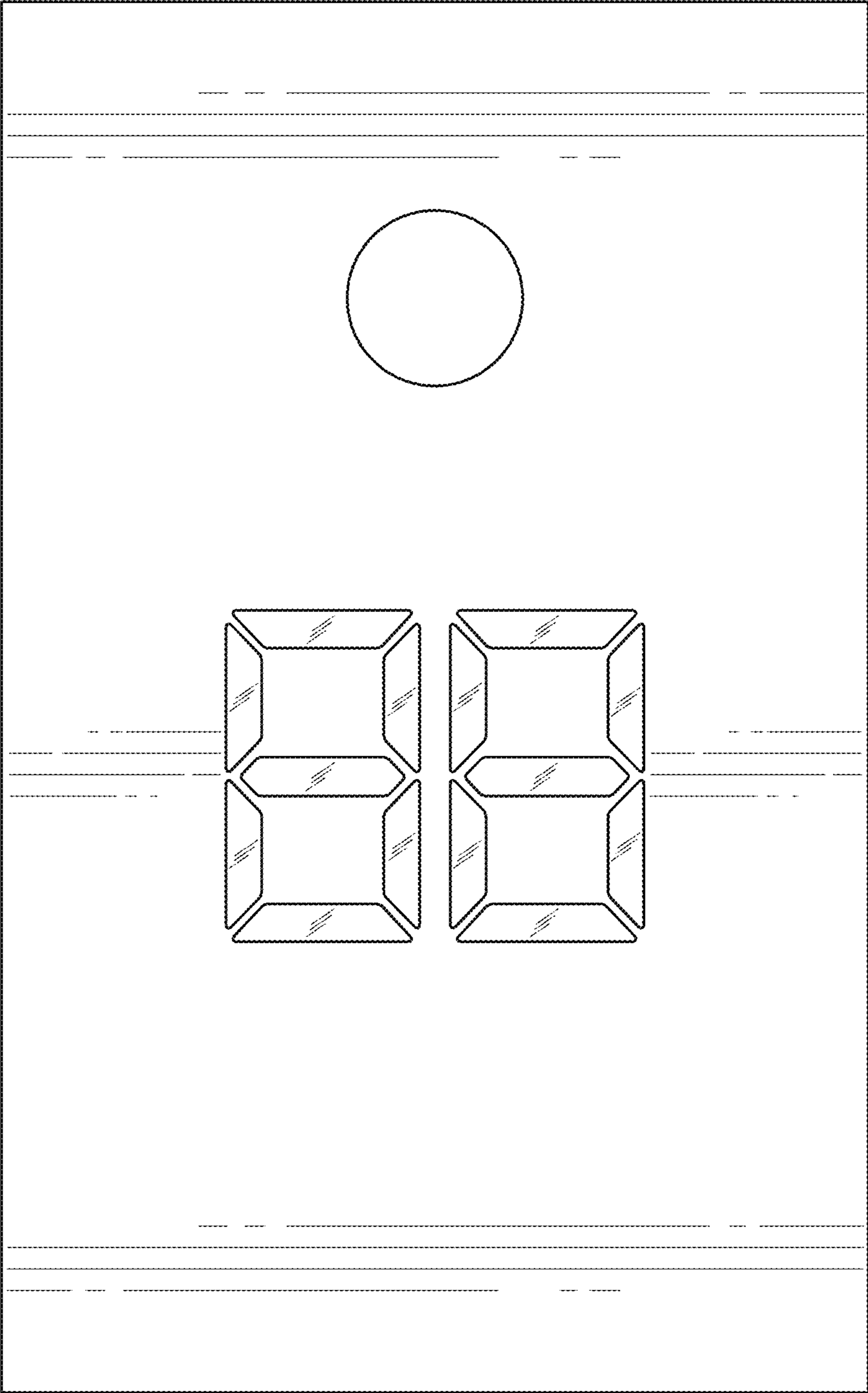


FIG. 2

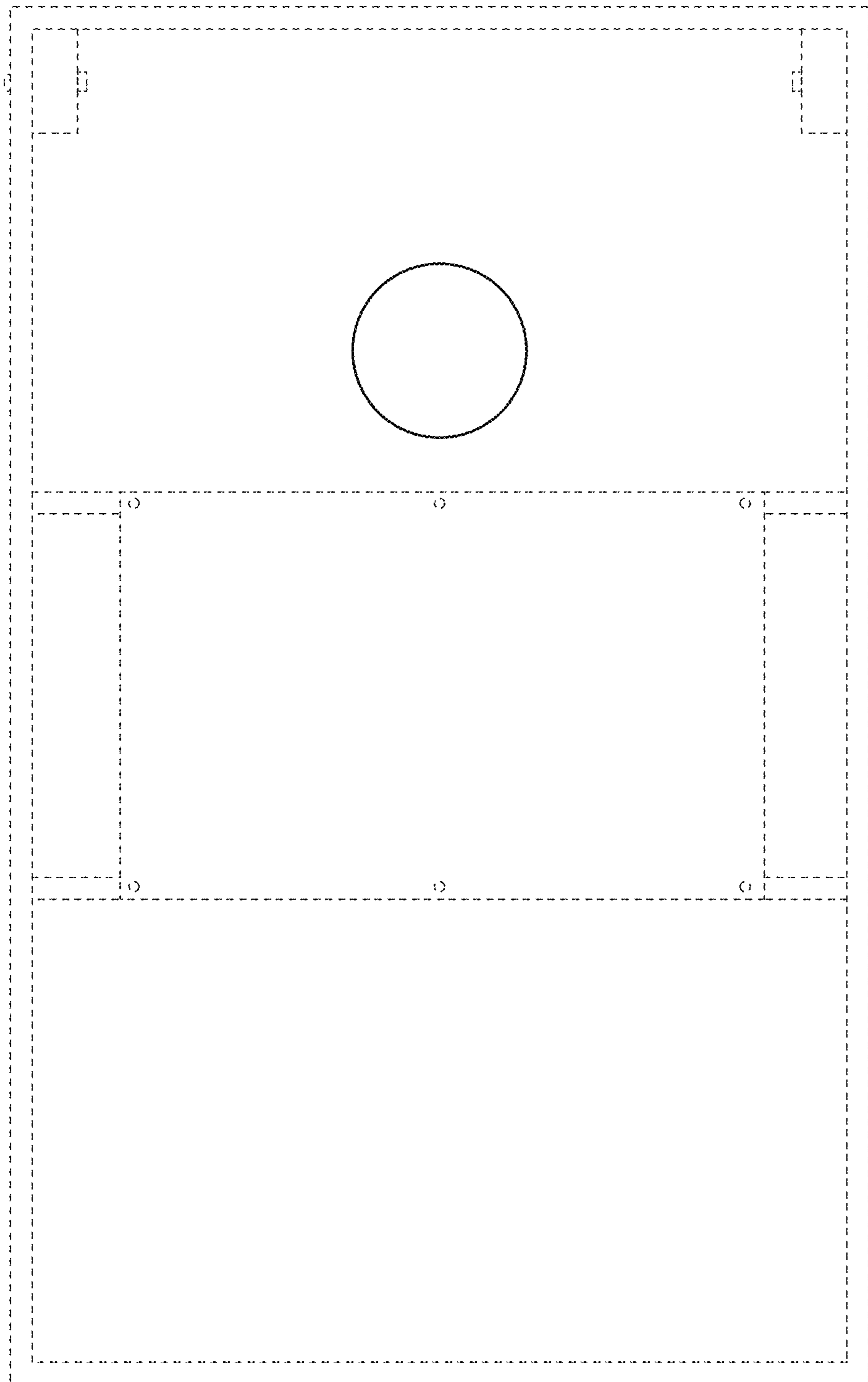


FIG. 3

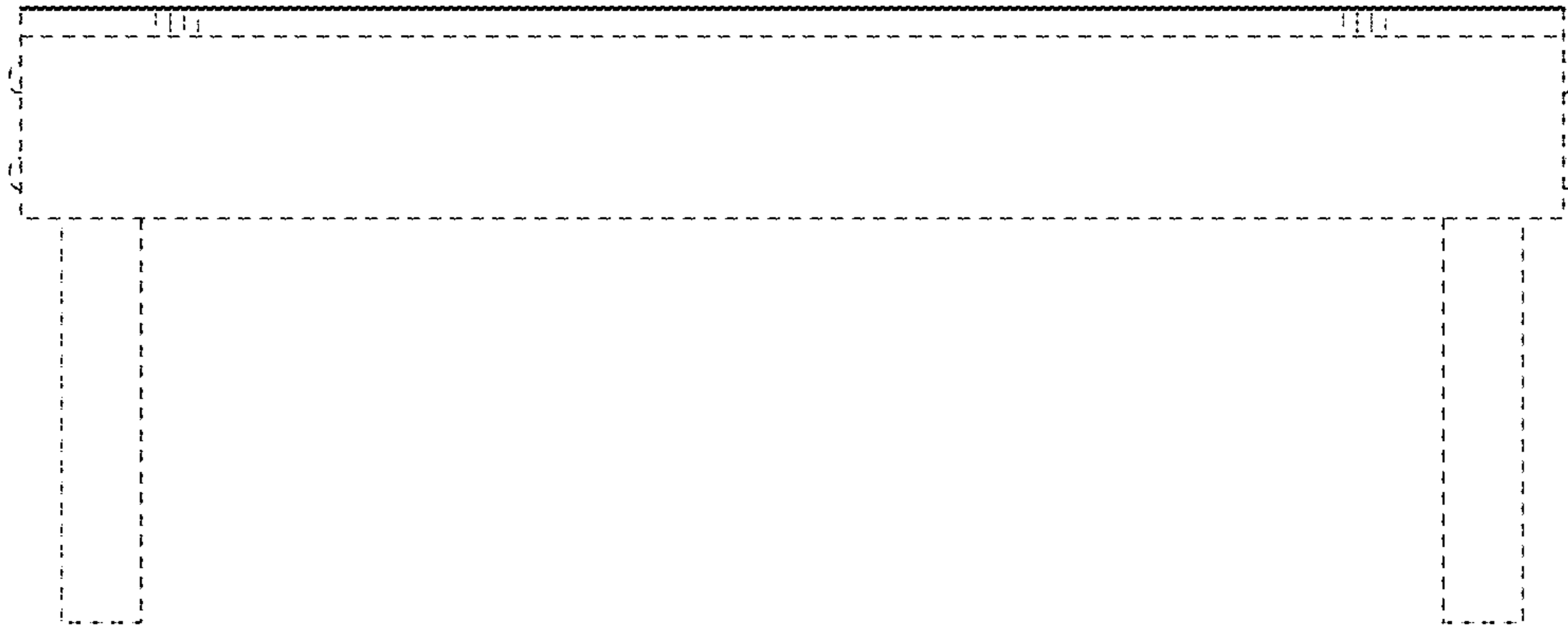


FIG. 4

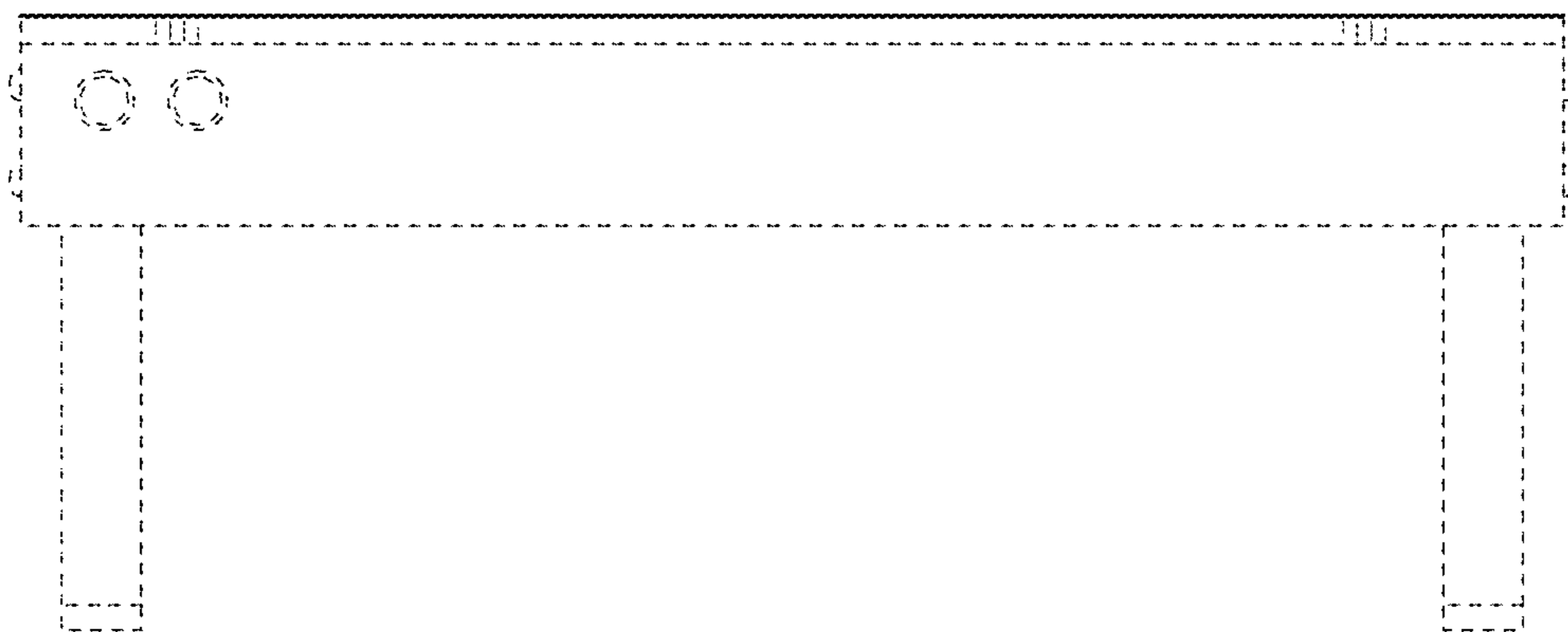


FIG. 5

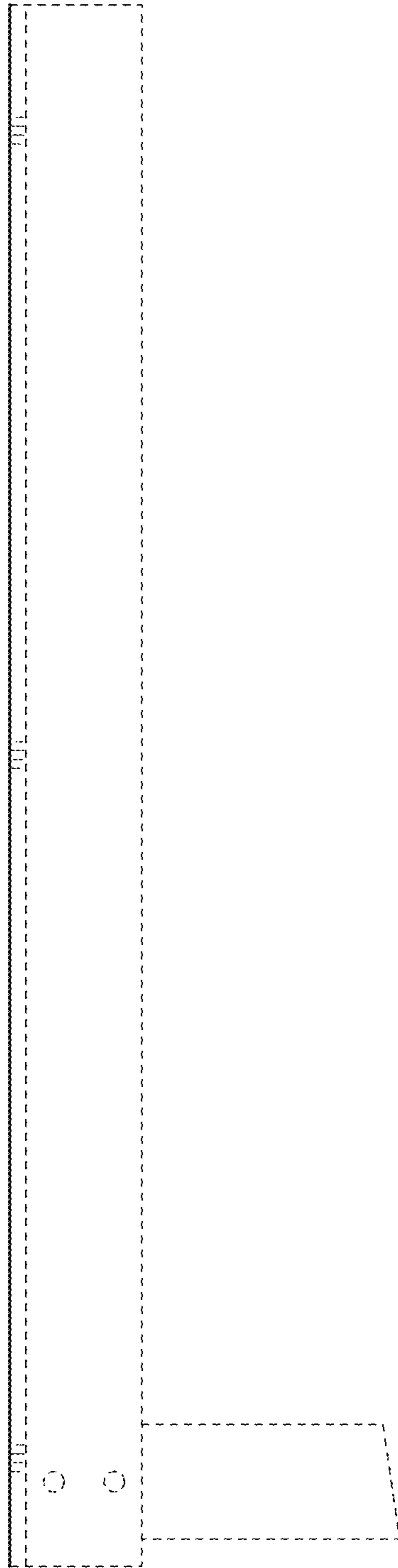


FIG. 6