



US00D781959S

(12) **United States Design Patent**
Thur

(10) **Patent No.:** **US D781,959 S**
(45) **Date of Patent:** **** Mar. 21, 2017**

- (54) **TARGET**
- (71) Applicant: **Muskoka Millwrighting and Machining Ltd.**, Huntsville (CA)
- (72) Inventor: **David Thur**, Utterson (CA)
- (73) Assignee: **Muskoka Millwrighting and Machining Ltd.**, Huntsville, Ontario (CA)
- (**) Term: **15 Years**
- (21) Appl. No.: **29/549,063**
- (22) Filed: **Dec. 18, 2015**
- (51) **LOC (10) Cl.** **21-01**
- (52) **U.S. Cl.**
USPC **D21/302**
- (58) **Field of Classification Search**
USPC D21/300, 302, 303, 305, 334, 335;
273/348, 336, 398-402, 407, 317, 371.1,
273/343, 367-369, 371, 381, 386
CPC A63F 7/06; A63F 3/02; A63F 3/06; A63F
9/02; A63B 67/00; A63B 63/08; A63B
7/00
See application file for complete search history.

- 5,709,385 A * 1/1998 Fitzpatrick A63F 3/00028
273/108.1
- D425,135 S * 5/2000 Quiring D21/302
- 6,554,724 B2 * 4/2003 Taylor A63B 24/0021
273/317.3
- 7,955,082 B1 * 6/2011 Gause G09B 19/0038
273/317.3
- D656,200 S * 3/2012 Talbert D21/302
- 8,651,492 B1 * 2/2014 Cappuccio A63B 67/002
273/317
- D720,016 S * 12/2014 McDowell D21/302
- D736,321 S * 8/2015 Shadle D21/302
- D740,370 S * 10/2015 Jackson D21/333

* cited by examiner

Primary Examiner — Prabhakar Deshmukh
(74) *Attorney, Agent, or Firm* — Riches, McKenzie & Herbert LLP

(57) **CLAIM**

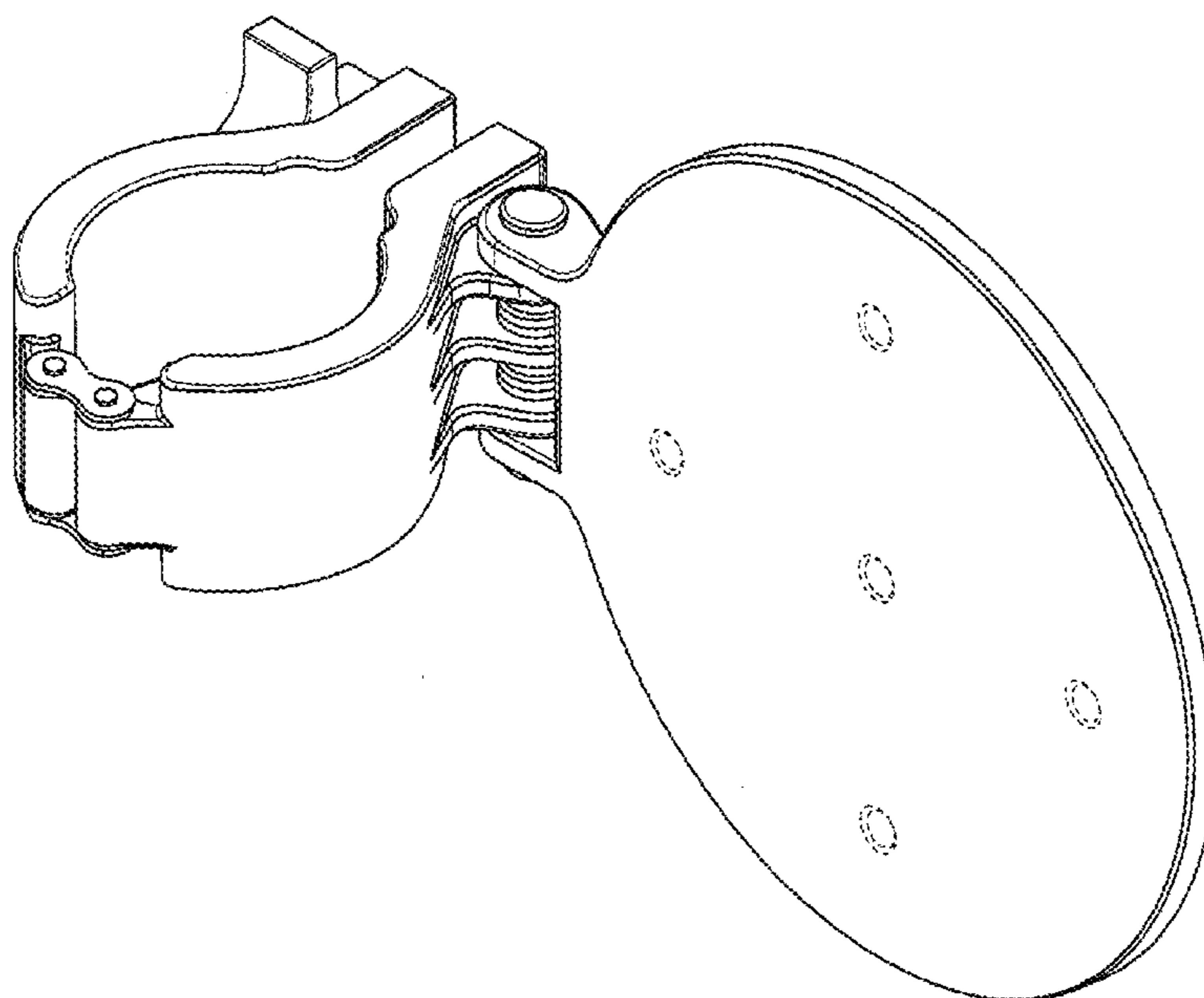
I claim the ornamental design for a target, as shown and described.

DESCRIPTION

FIG. 1 is a rear perspective view of a target showing the design:
FIG. 2 is a front view of the target of FIG. 1;
FIG. 3 is a rear view of the target of FIG. 1;
FIG. 4 is a left side view of the target of FIG. 1;
FIG. 5 is a right side view of the target of FIG. 1;
FIG. 6 is a top view of the target of FIG. 1; and,
FIG. 7 is a bottom view of the target of FIG. 1.
The broken-lines are understood to represent portions of the article in which the claimed design is embodied, but which form no part of the claimed design.

1 Claim, 7 Drawing Sheets

- (56) **References Cited**
U.S. PATENT DOCUMENTS
1,398,511 A * 11/1921 Hanrath A63B 67/10
273/332
D235,897 S * 7/1975 Breneman 273/317.3
4,480,834 A * 11/1984 Minami A63F 7/0612
273/317.3
5,324,043 A * 6/1994 Estrella F41J 7/04
273/391



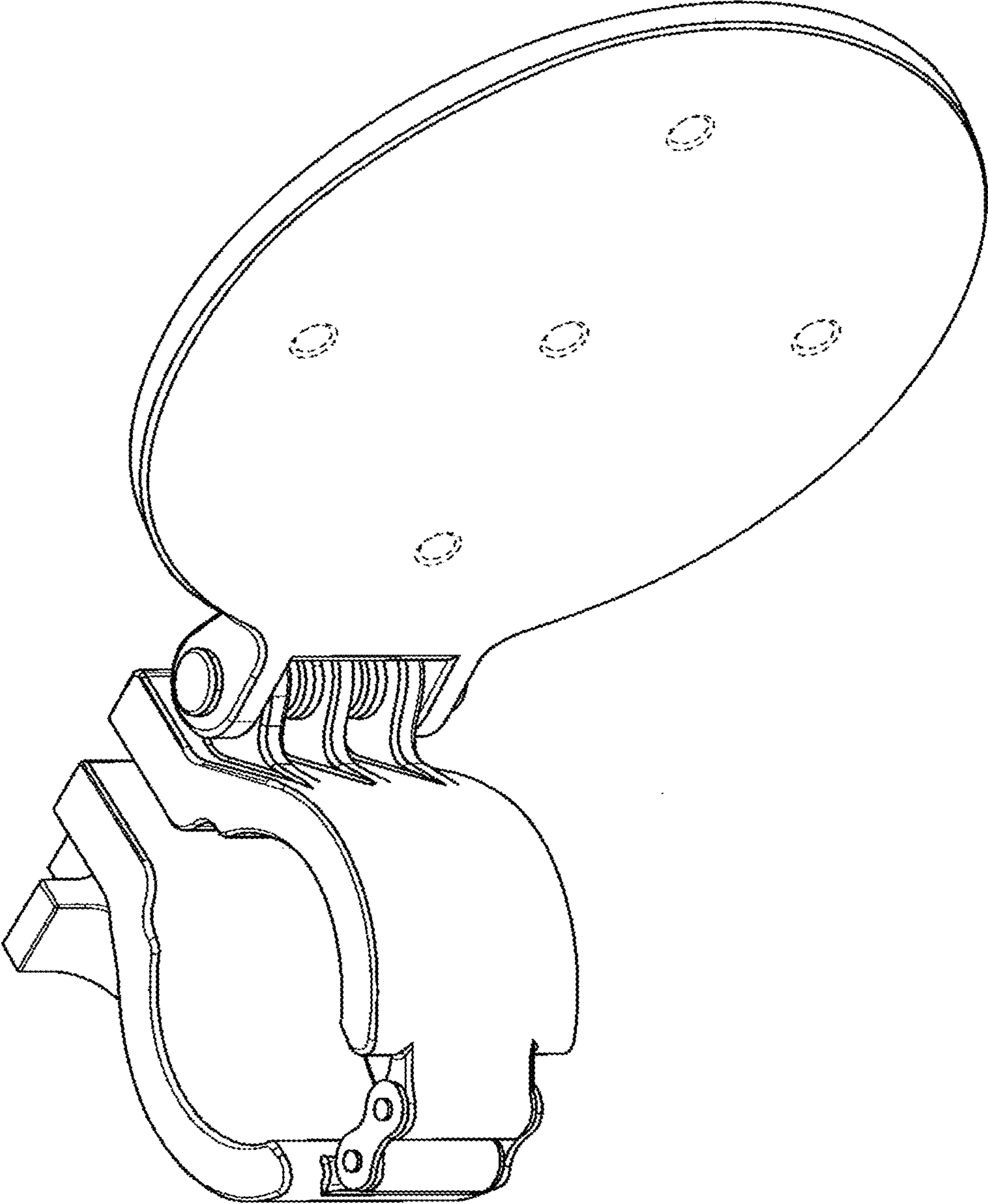


FIG. 1

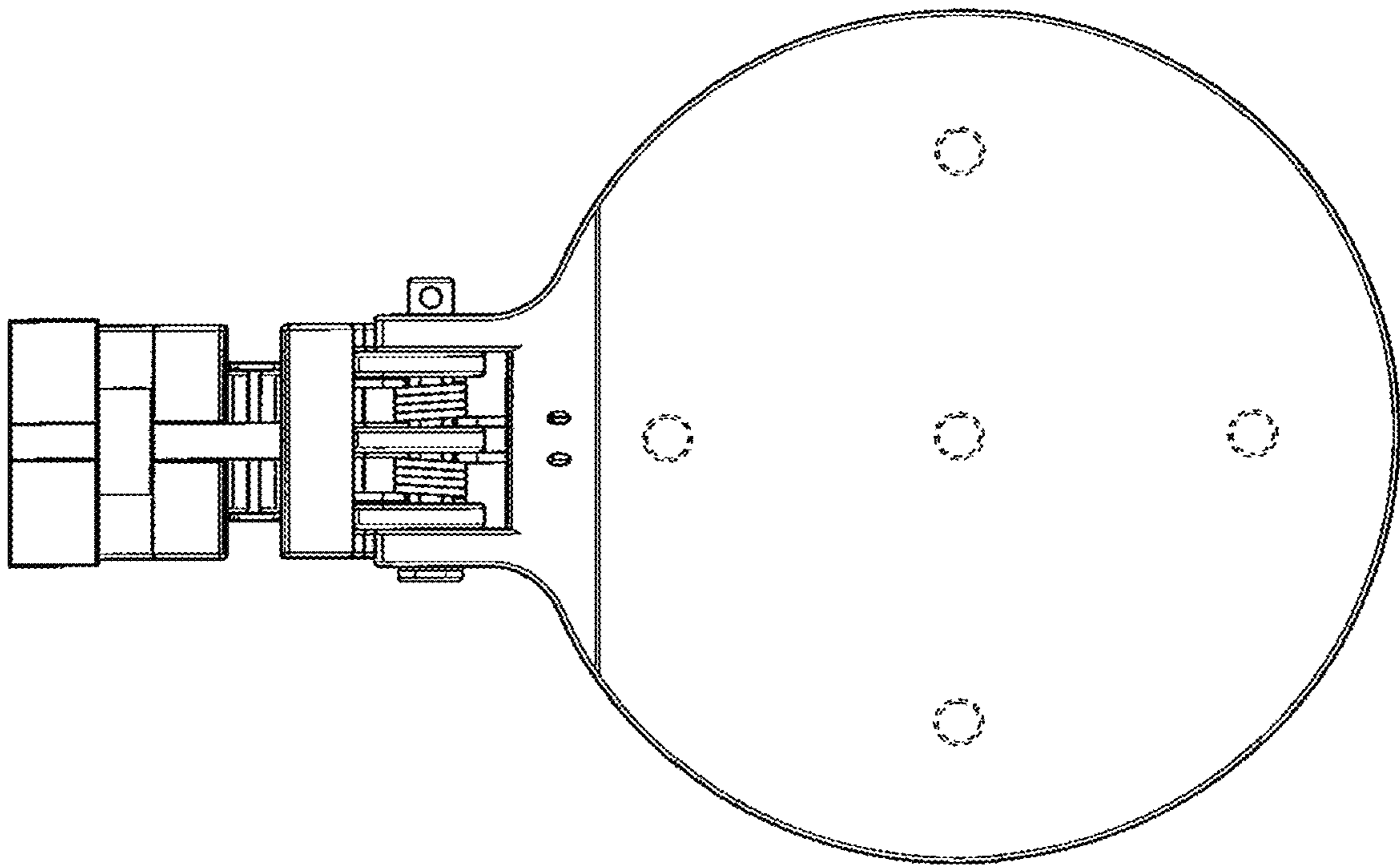


FIG. 2

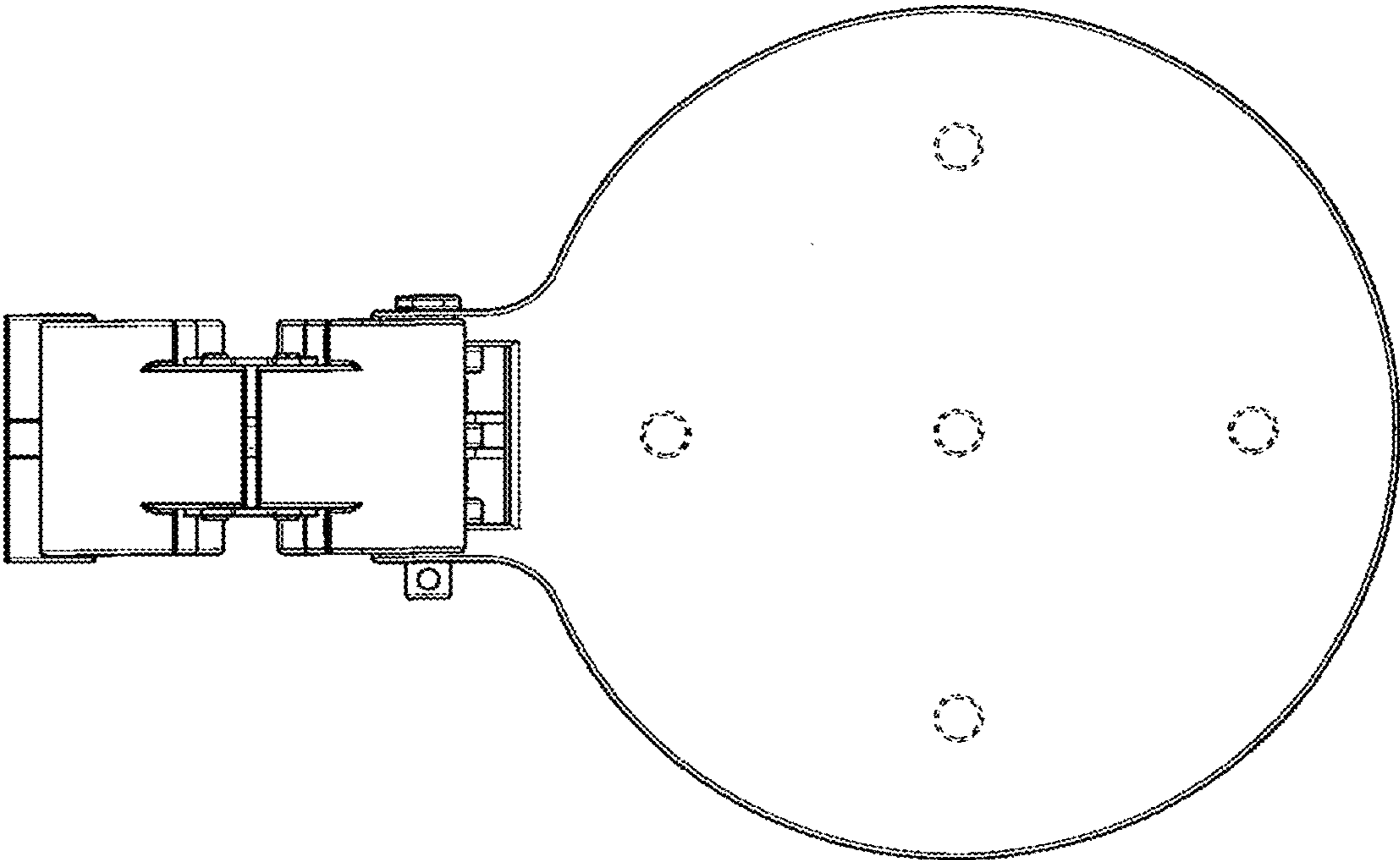


FIG. 3

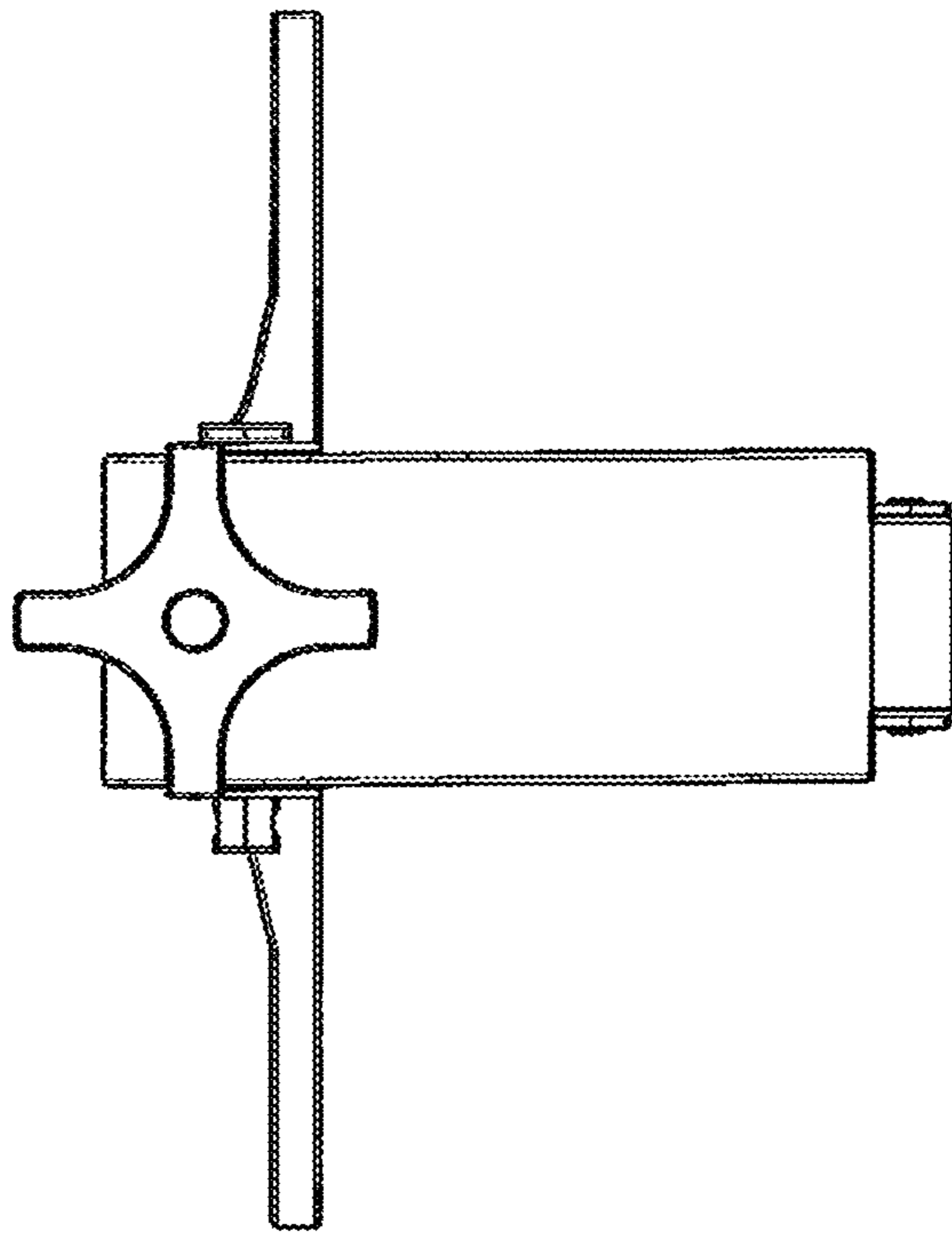


FIG. 4

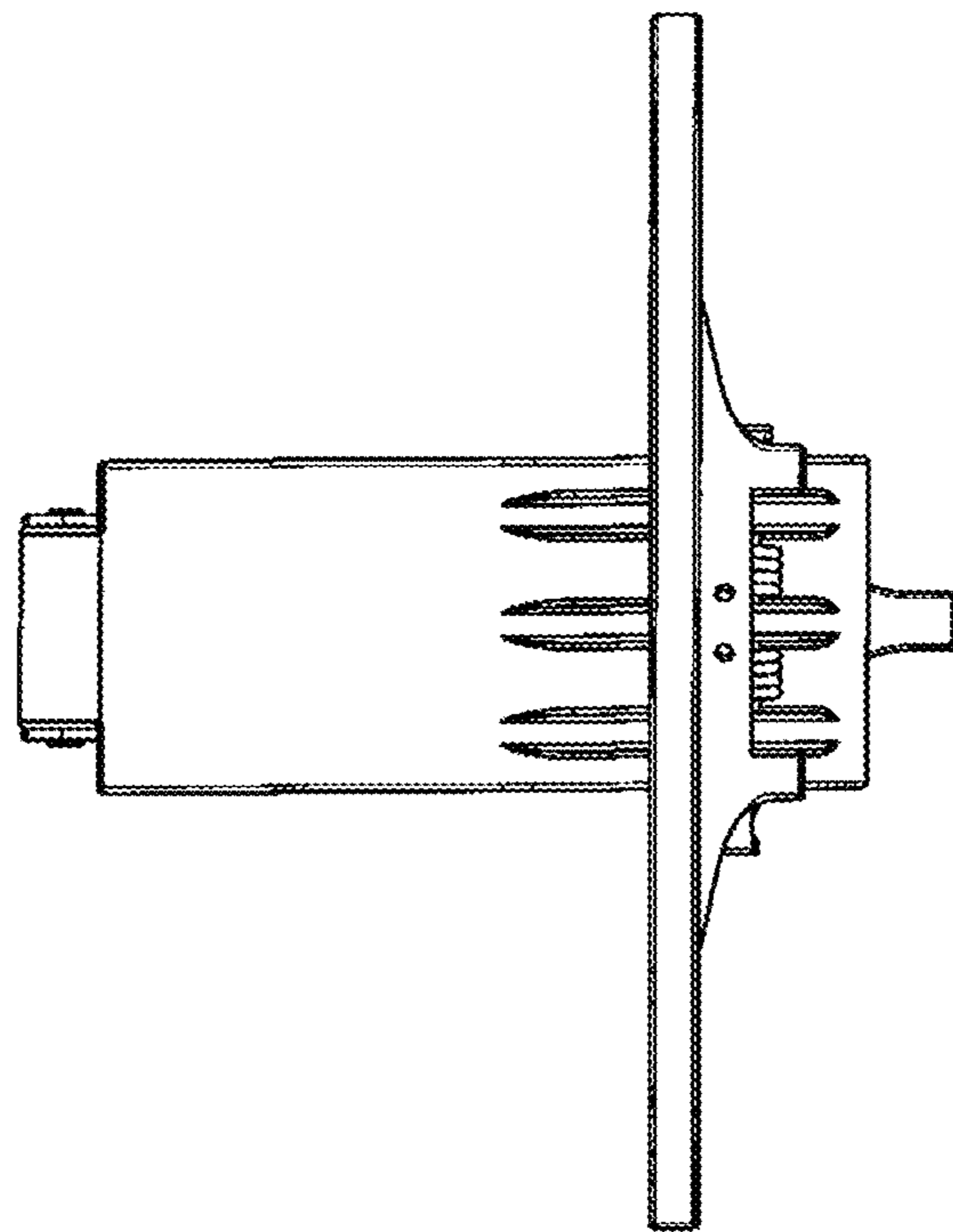


FIG. 5

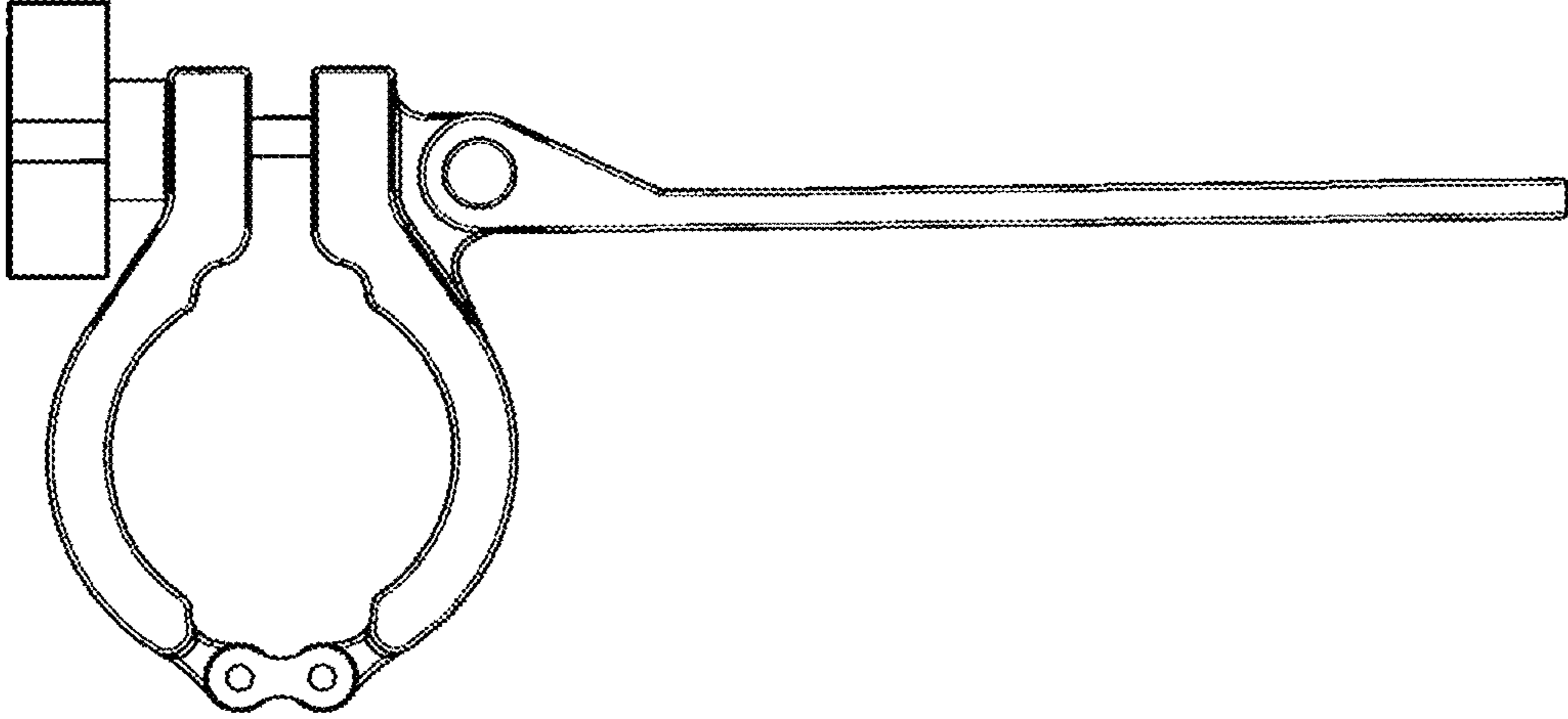


FIG. 6

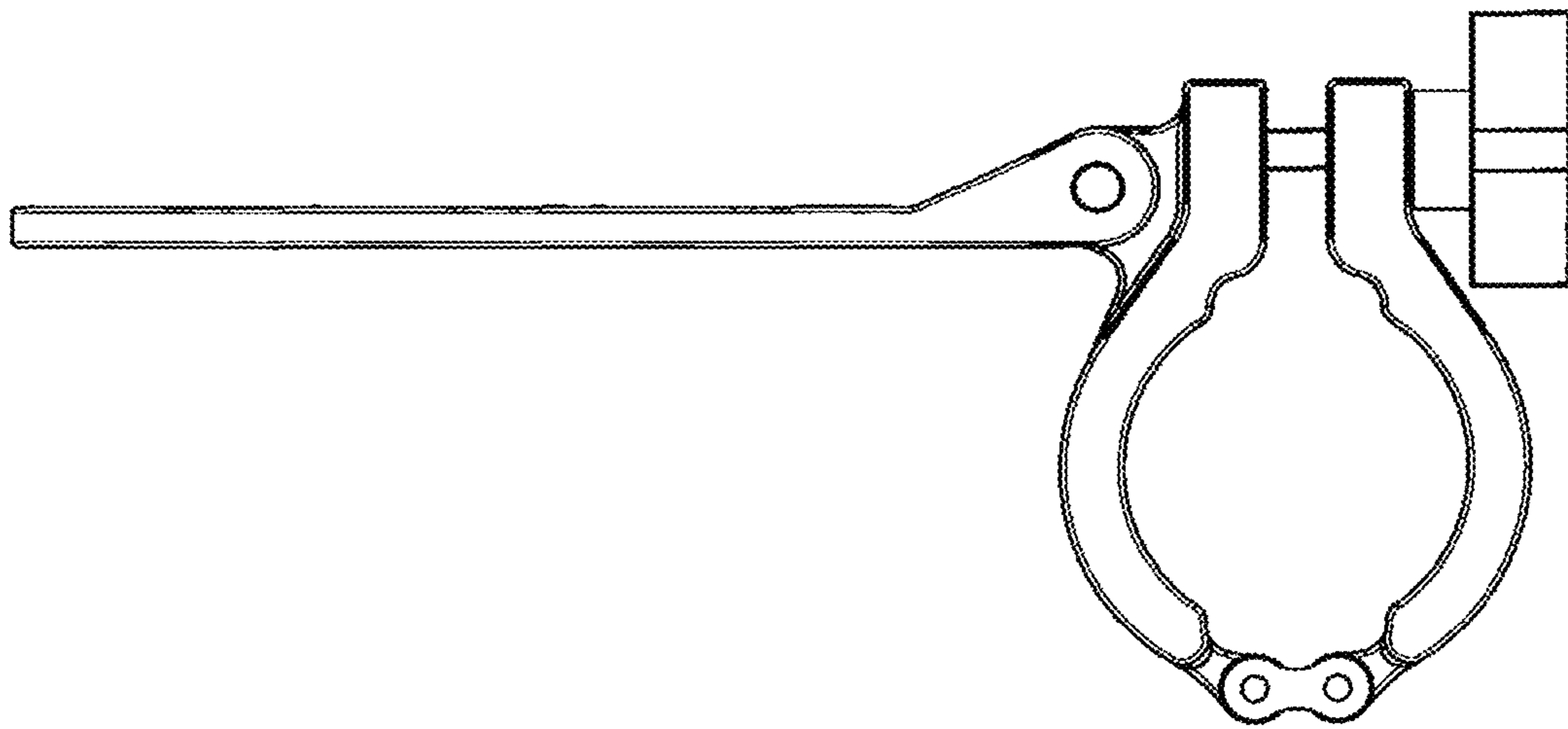


FIG. 7