



US00D781958S

(12) **United States Design Patent**  
**Ehrlich et al.**

(10) **Patent No.:** **US D781,958 S**  
(45) **Date of Patent:** **\*\* Mar. 21, 2017**

(54) **CAP**  
(71) Applicant: **J.S. Staedtler GmbH & Co. KG,**  
Nürnberg (DE)  
(72) Inventors: **André Ehrlich,** Fürth (DE); **Christian**  
**Leibeck,** Nürnberg (DE); **Bastian**  
**Weber,** Nürnberg (DE)  
(73) Assignee: **STAEDTLER MARS GMBH & CO.**  
**KG,** Nürnberg (DE)  
(\*\*) Term: **14 Years**  
(21) Appl. No.: **29/520,742**  
(22) Filed: **Mar. 17, 2015**

D266,769 S \* 11/1982 Camps ..... D19/169  
D277,393 S \* 1/1985 Oyabu ..... 401/202  
D286,547 S \* 11/1986 Koizumi ..... D19/169  
D323,529 S \* 1/1992 Rousseau ..... D19/168  
D409,241 S \* 5/1999 Melnick ..... D19/164  
D504,152 S \* 4/2005 Collin ..... D19/168  
D504,154 S \* 4/2005 Collin ..... D19/164  
7,461,991 B2 \* 12/2008 Dalancourt ..... B43K 5/005  
401/208  
D598,496 S \* 8/2009 Ikeda ..... D19/168  
D628,241 S \* 11/2010 Stukenkemper ..... D19/168  
D628,636 S \* 12/2010 Wang ..... D19/169  
D628,640 S \* 12/2010 Wang ..... D19/173  
D645,083 S \* 9/2011 Stukenkemper ..... D19/168  
D698,864 S \* 2/2014 Watase ..... D19/164  
D700,656 S \* 3/2014 Schweig ..... D19/168  
D700,657 S \* 3/2014 Schweig ..... D19/170  
D701,267 S \* 3/2014 Schweig ..... D19/170

(Continued)

**Related U.S. Application Data**

(62) Division of application No. 29/461,605, filed on Jul.  
25, 2013, now Pat. No. Des. 733,220.

*Primary Examiner* — Elizabeth Albert

(74) *Attorney, Agent, or Firm* — Lucas & Mercanti, LLP;  
Klaus P. Stoffel

(30) **Foreign Application Priority Data**

Jan. 25, 2013 (EM) ..... 002 172 510

(51) **LOC (10) Cl.** ..... **19-06**

(52) **U.S. Cl.**  
USPC ..... **D19/195**

(58) **Field of Classification Search**  
USPC ..... D14/411; D19/115–204  
CPC . B43K 5/00; B43K 5/005; B43K 7/00; B43K  
7/10; B43K 7/12; B43K 8/04  
See application file for complete search history.

(57) **CLAIM**

The ornamental design for a cap, as shown and described.

(56) **References Cited**

**U.S. PATENT DOCUMENTS**

1,957,366 A \* 5/1934 Stockman ..... B43K 29/013  
101/333  
D259,792 S \* 7/1981 Itoh ..... D19/169

**DESCRIPTION**

FIG. 1 is a perspective view of the cap of the present  
invention;

FIG. 2 is a front view thereof;

FIG. 3 is a side view thereof;

FIG. 4 is rear view thereof;

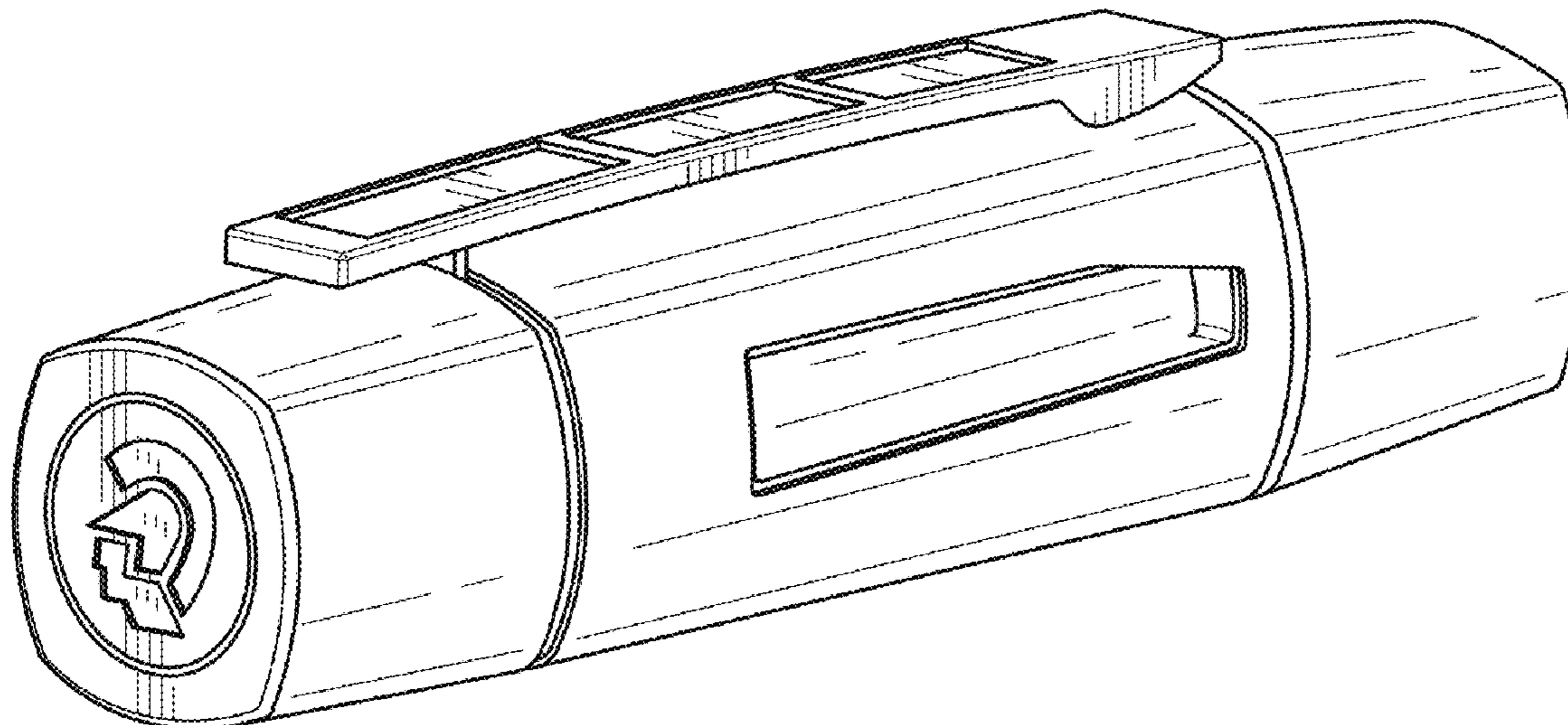
FIG. 5 is another side view thereof;

FIG. 6 is a bottom view thereof; and,

FIG. 7 is a top view thereof.

The broken lines showing the inside in FIG. 6 and aperture  
in FIG. 5 are included to show portions of the cap that form  
no part of the claimed design.

**1 Claim, 4 Drawing Sheets**



(56)

**References Cited**

U.S. PATENT DOCUMENTS

D703,751 S \* 4/2014 Schweig ..... D19/168  
D733,220 S \* 6/2015 Ehrlich ..... D19/186

\* cited by examiner

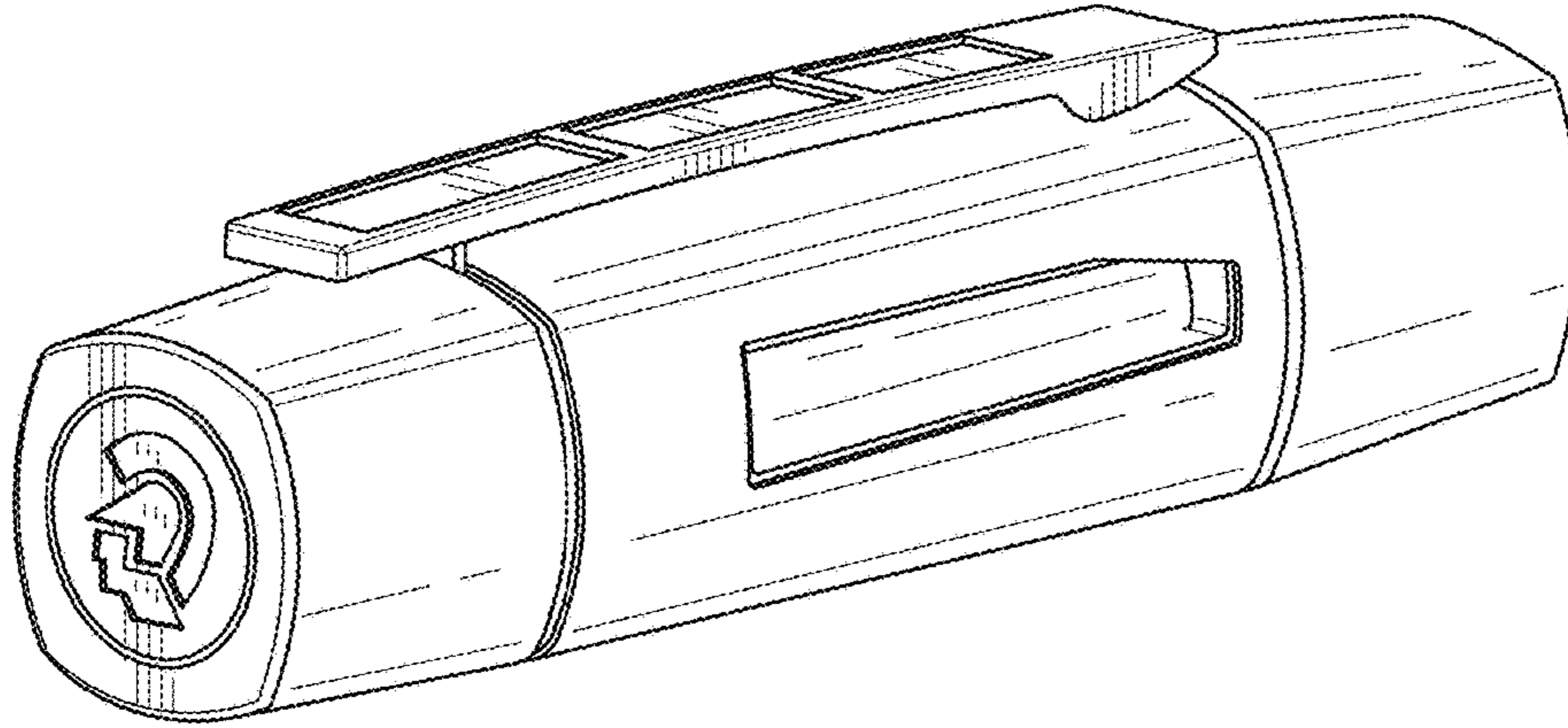


FIG. 1

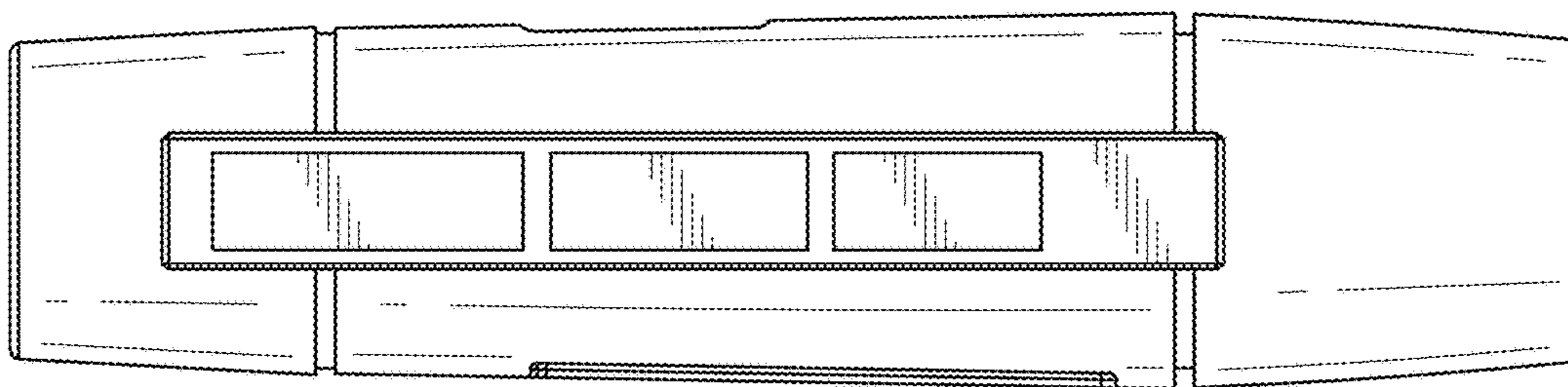


FIG. 2

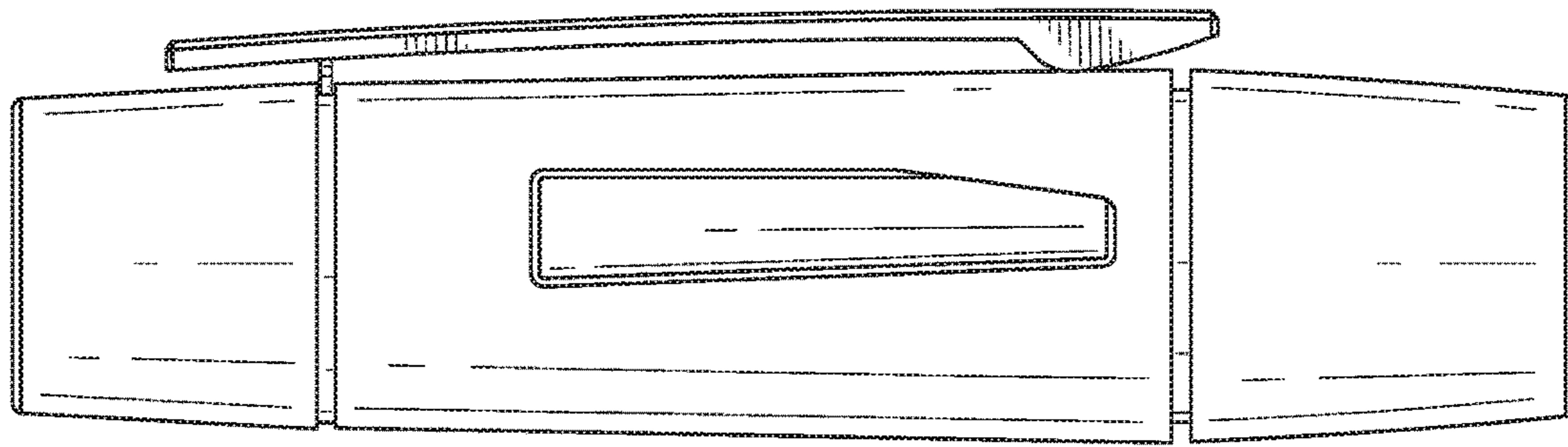


FIG. 3

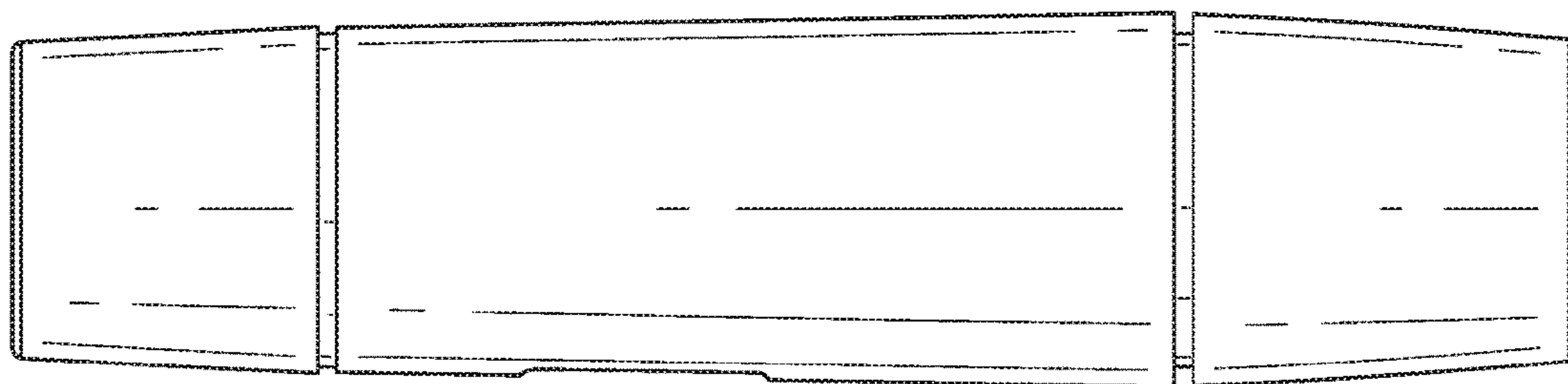


FIG. 4

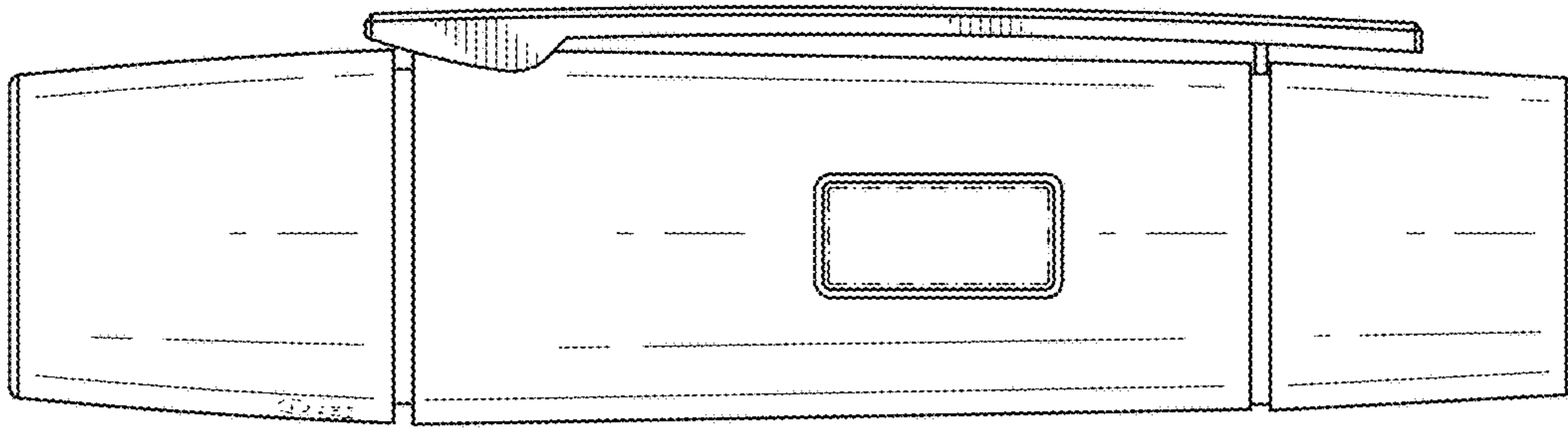


FIG. 5

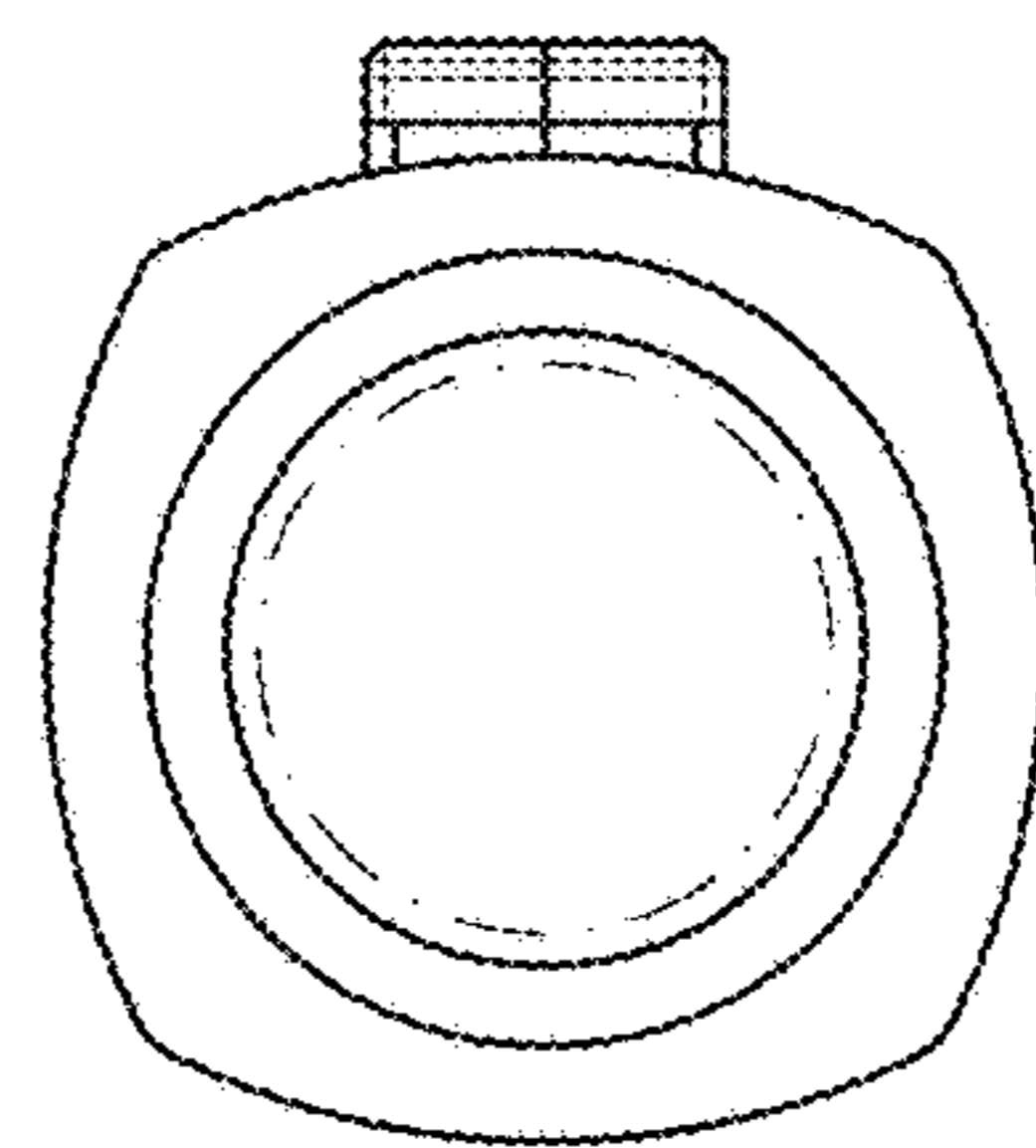


FIG. 6

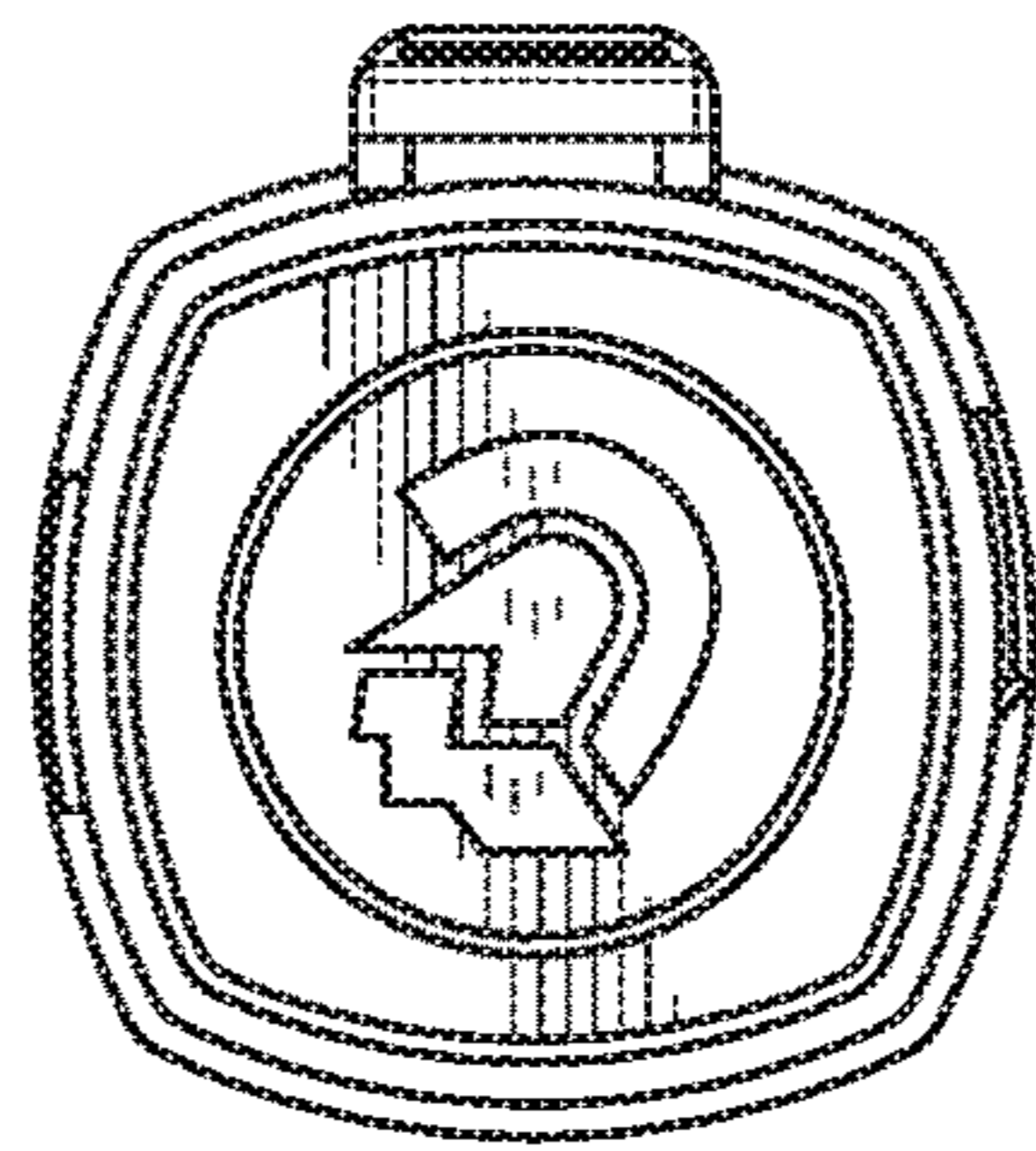


FIG. 7