



US00D781955S

(12) **United States Design Patent**
Kim et al.

(10) **Patent No.:** **US D781,955 S**

(45) **Date of Patent:** **** Mar. 21, 2017**

(54) **PORTABLE PRINTER**

(71) Applicant: **Samsung Electronics Co., Ltd.**,
Suwon-si (KR)

(72) Inventors: **Min Chul Kim**, Seoul (KR); **Seung Wook Jeong**, Seoul (KR); **Tae Kung Park**, Goyang-si (KR)

(73) Assignee: **Samsung Electronics Co., Ltd.**,
Suwon-si (KR)

(**) Term: **15 Years**

(21) Appl. No.: **29/531,820**

(22) Filed: **Jun. 30, 2015**

(30) **Foreign Application Priority Data**

Dec. 31, 2014 (KR) 30-2014-0064457

(51) **LOC (10) Cl.** **18-02**

(52) **U.S. Cl.**
USPC **D18/50**

(58) **Field of Classification Search**
USPC D18/36-39, 50, 54, 54.1, 55; D14/341,
D14/356-368, 420-425, 462-470
CPC . B41J 3/4075; B41J 11/58; B41J 15/12; B41J
15/042; B41J 17/00; B41J 29/02; B41J
29/08

See application file for complete search history.

(56) **References Cited**

U.S. PATENT DOCUMENTS

D322,278 S * 12/1991 Kawashima D18/54
D348,448 S * 7/1994 Read D14/365

D441,375 S * 5/2001 Hisatsune D14/356
D495,700 S * 9/2004 Mukai D14/356
D513,617 S * 1/2006 Tierney D14/496
D525,968 S * 8/2006 Peng D14/300
D535,281 S * 1/2007 Yang D14/203.3
D693,798 S * 11/2013 Chuang D14/240
D718,752 S * 12/2014 Wang D14/358
D732,108 S * 6/2015 Ryu D18/50
D751,071 S * 3/2016 Kurata D14/365
D751,635 S * 3/2016 Jung D18/50

* cited by examiner

Primary Examiner — Cathy Anne MacCormac

(74) *Attorney, Agent, or Firm* — NSIP Law

(57) **CLAIM**

We claim the ornamental design for a portable printer, as shown and described.

DESCRIPTION

FIG. 1 is a front perspective view of a portable printer showing our new design;
FIG. 2 is a front view thereof;
FIG. 3 is a rear view thereof;
FIG. 4 is a left-side view thereof;
FIG. 5 is a right-side view thereof;
FIG. 6 is a top view thereof; and,
FIG. 7 is a bottom view thereof.
The broken lines depict environmental subject matter and form no part of the claimed design.

1 Claim, 7 Drawing Sheets

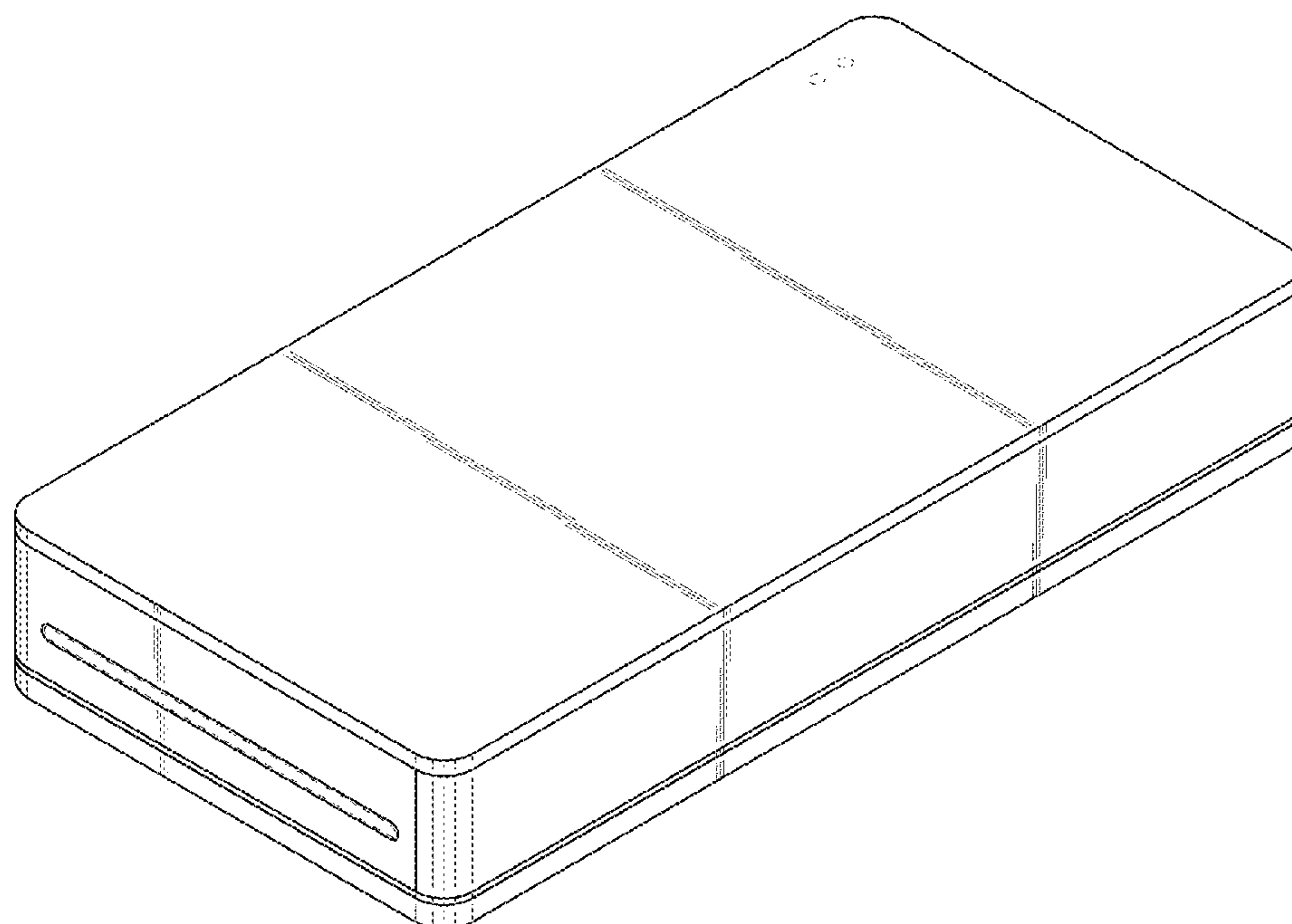


FIG.1

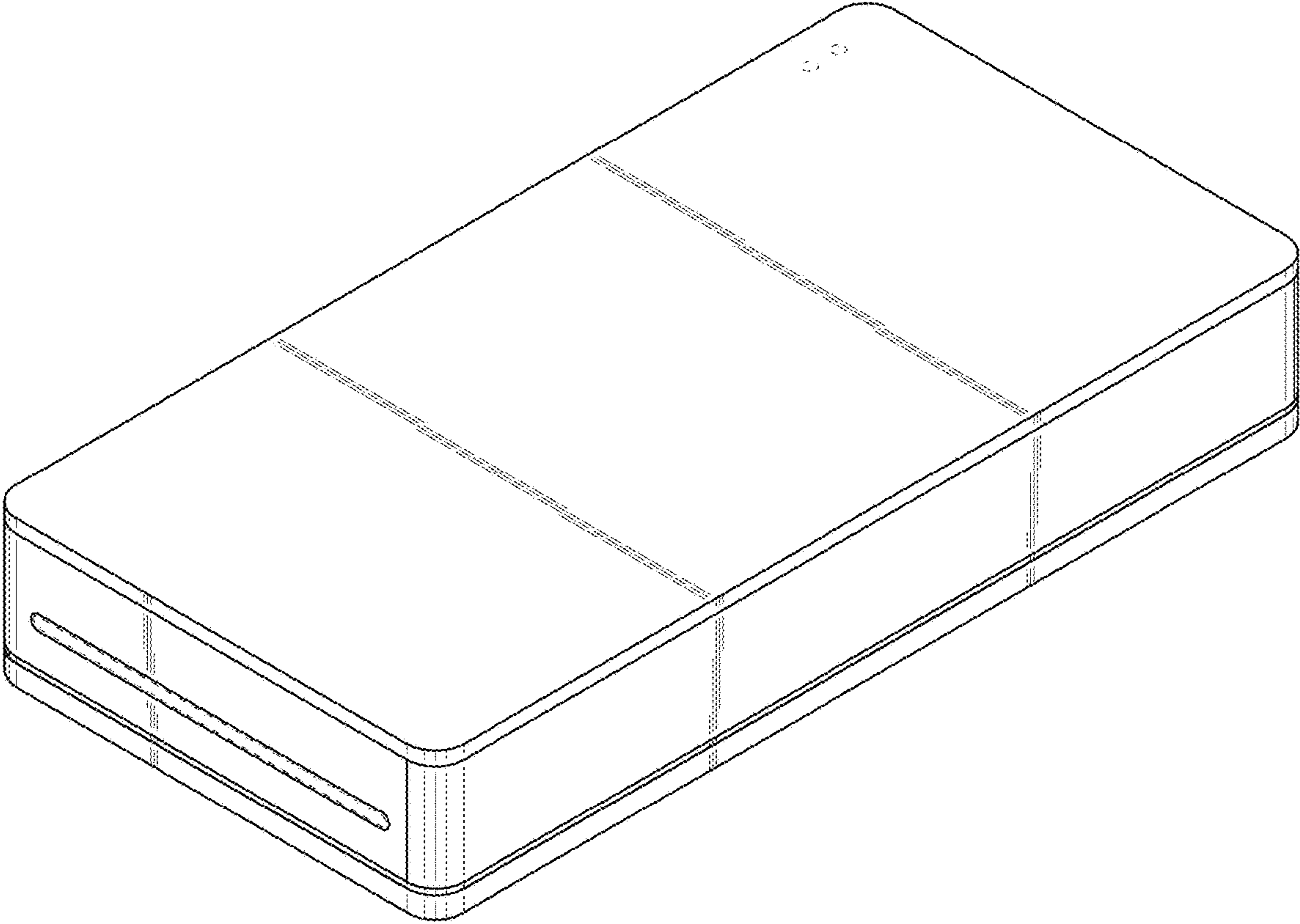


FIG.2

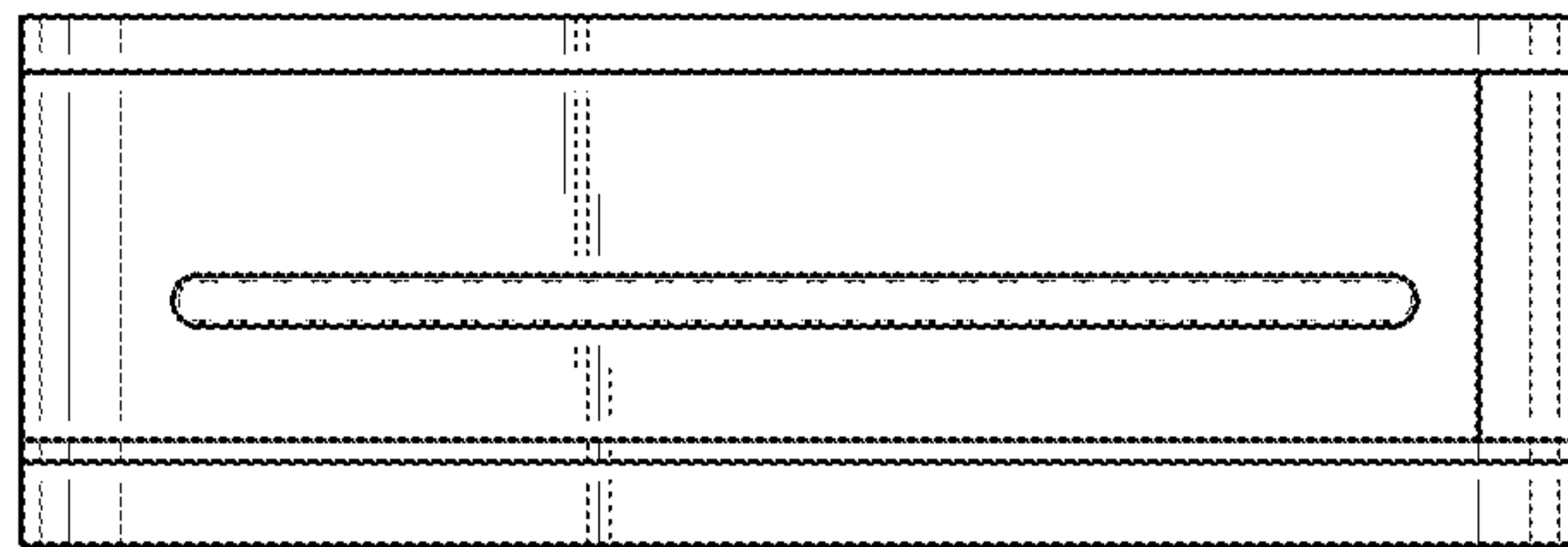


FIG.3

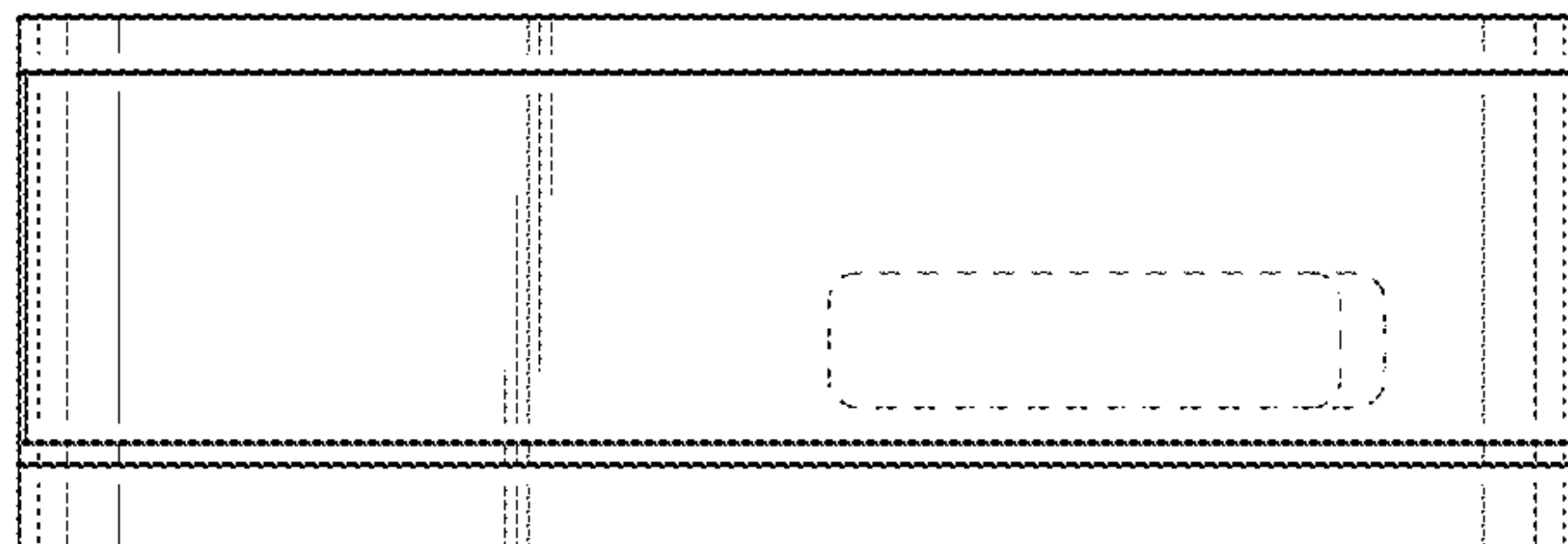


FIG.4

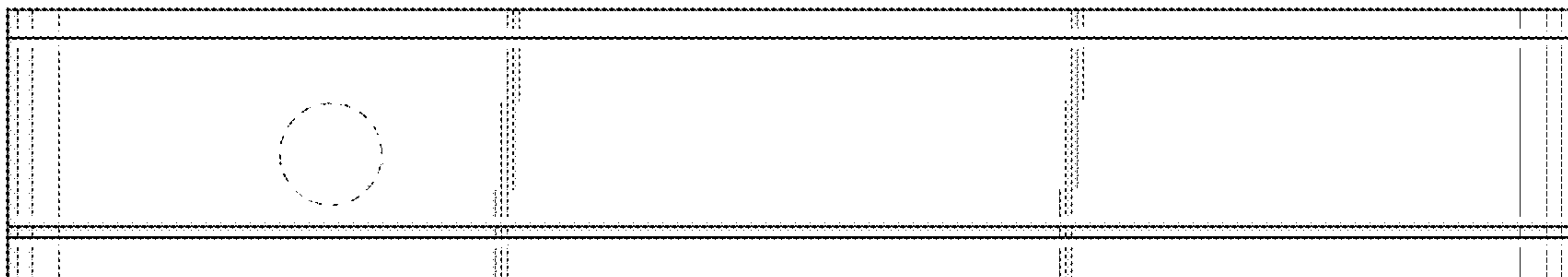


FIG.5

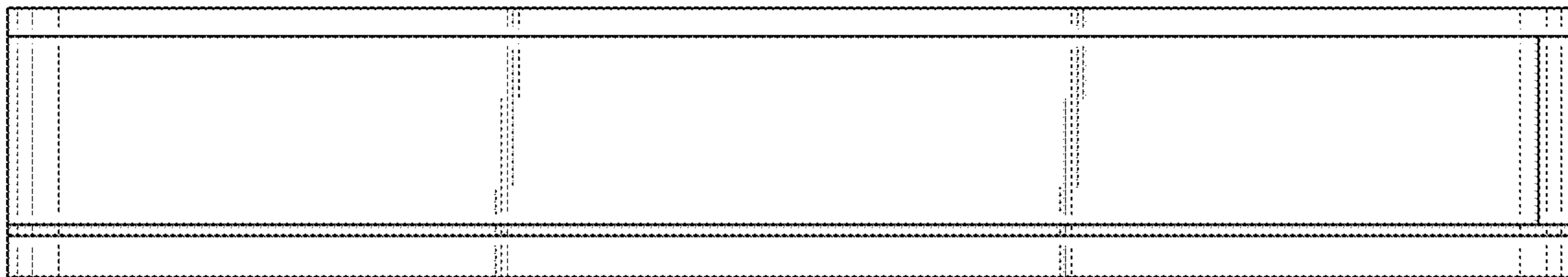


FIG.6

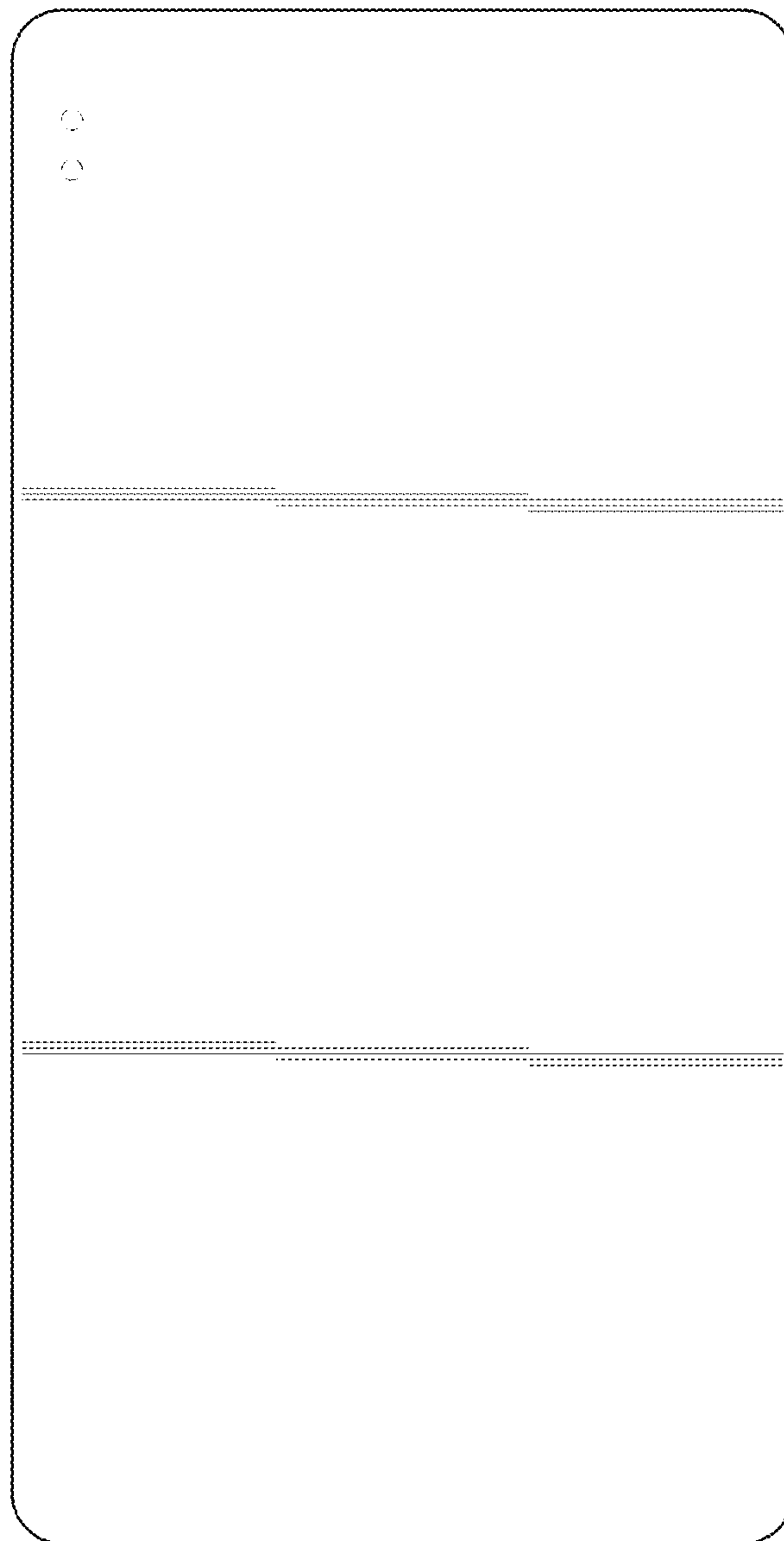


FIG.7

