



US00D781952S

(12) **United States Design Patent**
Fuchs

(10) **Patent No.:** **US D781,952 S**
(45) **Date of Patent:** **** Mar. 21, 2017**

(54) **EYEWEAR**
(71) Applicant: **Silhouette International Schmied AG**,
Linz (AT)
(72) Inventor: **Gerhard Fuchs**, Kauns (AT)
(73) Assignee: **Silhouette International Schmied AG**,
Linz (AT)
(**) Term: **15 Years**
(21) Appl. No.: **29/529,922**
(22) Filed: **Jun. 11, 2015**
(30) **Foreign Application Priority Data**

Dec. 18, 2014 (EM) 002600940
(51) **LOC (10) Cl.** **16-06**
(52) **U.S. Cl.**
USPC **D16/335**
(58) **Field of Classification Search**
USPC D16/101, 300-342, 900; D29/109-110;
D21/483, 659-661; D14/372; 351/41,
351/44, 45-48, 51-52, 62, 158, 92,
351/103-123, 140-153, 63, 59; 2/13, 15,
2/426-432, 447-449, 441, 434-437
CPC G02C 2200/08; G02C 1/06; G02C 5/14;
G02C 11/02; G02C 11/04; G02C 5/16;
G02C 2200/22; G02C 5/146; G02C
5/2254; G02C 5/008; G01C 5/16; A61M
2021/0044; A63B 33/002
See application file for complete search history.

(56) **References Cited**
U.S. PATENT DOCUMENTS
D423,552 S * 4/2000 Flanagan D16/327
D438,233 S * 2/2001 Levett D16/320

6,637,879 B1 * 10/2003 Xiao G02C 9/00
351/47
6,827,437 B1 * 12/2004 Kim G02C 9/02
351/47
D544,901 S * 6/2007 Fuchs D16/327
(Continued)

OTHER PUBLICATIONS

Design U.S. Appl. No. 29/461,687, filed Jul. 26, 2013, In re:
Strecker entitled *Eyeglasses*.
(Continued)

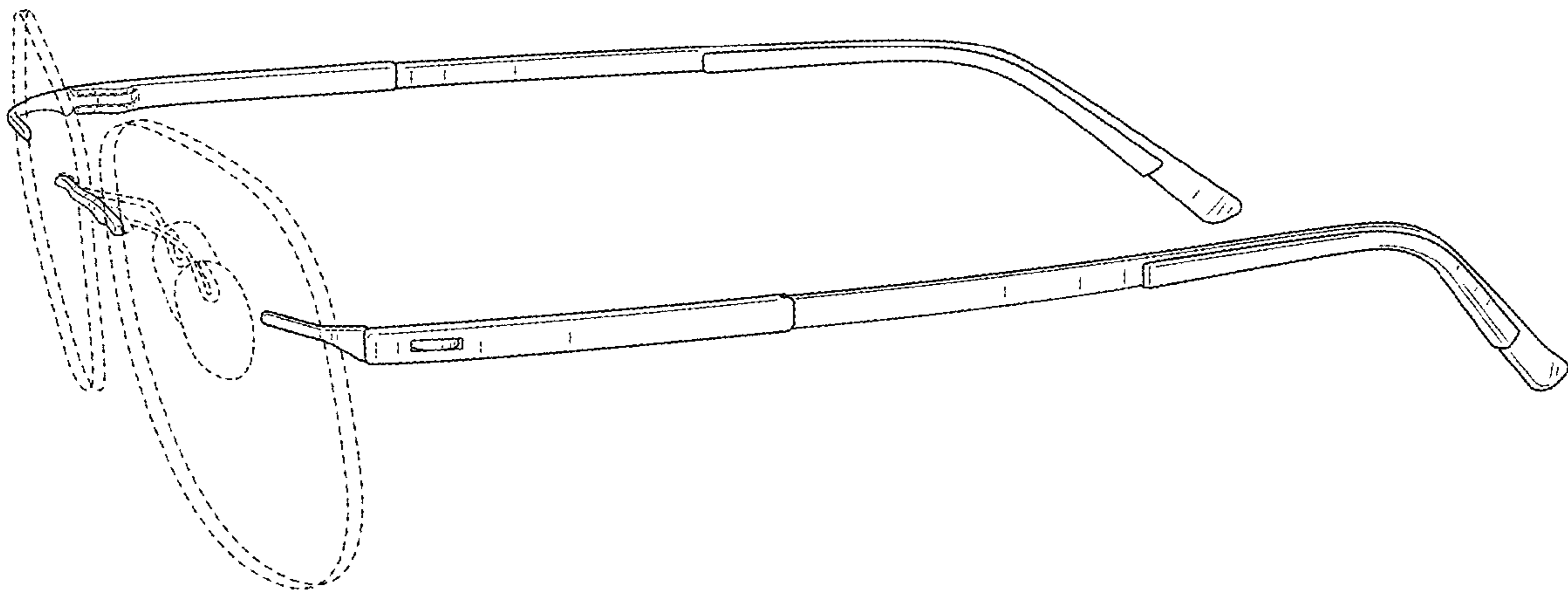
Primary Examiner — Eric Goodman
Assistant Examiner — Sanjeev Paul
(74) *Attorney, Agent, or Firm* — Alston & Bird LLP

(57) **CLAIM**
I claim the ornamental design for eyewear, as shown and
described.

DESCRIPTION

FIG. 1 is a perspective view of eyewear showing my new
design;
FIG. 2 is a top plan view thereof;
FIG. 3 is a bottom plan view thereof;
FIG. 4 is a front elevation view thereof;
FIG. 5 is a rear elevation view thereof;
FIG. 6 is a left side elevation view thereof, the right side
being a mirror image thereof;
FIG. 7 is a side elevation cross-section view thereof taken
along line 7-7 in FIG. 2; and,
FIG. 8 is an enlarged perspective view of a portion thereof
shown in an alternate position of use.
The broken lines shown in the drawings are included for the
purpose of illustrating unclaimed portions of the eyewear
and form no part of the claimed design. The broken lines in
FIG. 8 that are immediately adjacent to the shaded area are
used to illustrate bounds of the partial view and form no part
of the claimed design.

1 Claim, 6 Drawing Sheets



(56)

References Cited

U.S. PATENT DOCUMENTS

D567,839 S 4/2008 Fuchs
 D597,123 S 7/2009 Strecker
 D616,487 S * 5/2010 Riley D16/330
 D631,084 S 1/2011 Phillips
 D632,327 S * 2/2011 Fuchs D16/326
 D633,128 S 2/2011 Fuchs
 D634,773 S * 3/2011 Fuchs D16/315
 D634,774 S * 3/2011 Fuchs D16/327
 D640,311 S * 6/2011 Lombardo D16/320
 D643,459 S * 8/2011 Gonzalez D16/315
 D650,001 S * 12/2011 Schwarzbauer D16/315
 D650,002 S * 12/2011 Zoonens D16/315
 D661,335 S * 6/2012 Jeon D16/309
 D664,588 S * 7/2012 Zoonens D16/316
 D664,589 S * 7/2012 Gonzalez D16/320
 D678,390 S 3/2013 Fuchs
 D692,046 S * 10/2013 Fuchs D16/315

D712,452 S * 9/2014 Fuchs D16/335
 D741,943 S * 10/2015 Keplinger D16/315
 D743,479 S * 11/2015 Keplinger D16/315
 2004/0057009 A1* 3/2004 Chen G02C 1/02
 351/140
 2009/0027614 A1* 1/2009 Siu G02C 1/02
 351/57
 2011/0013134 A1* 1/2011 Siu G02C 1/02
 351/110
 2014/0036221 A1* 2/2014 Kheang G02C 11/02
 351/116

OTHER PUBLICATIONS

Design U.S. Appl. No. 29/485,590, filed Mar. 20, 2014, In re: Keplinger entitled *Eyeglasses*.
 Design U.S. Appl. No. 29/495,188, filed Jun. 27, 2014, In re: Keplinger entitled *Eyeglasses*.

* cited by examiner

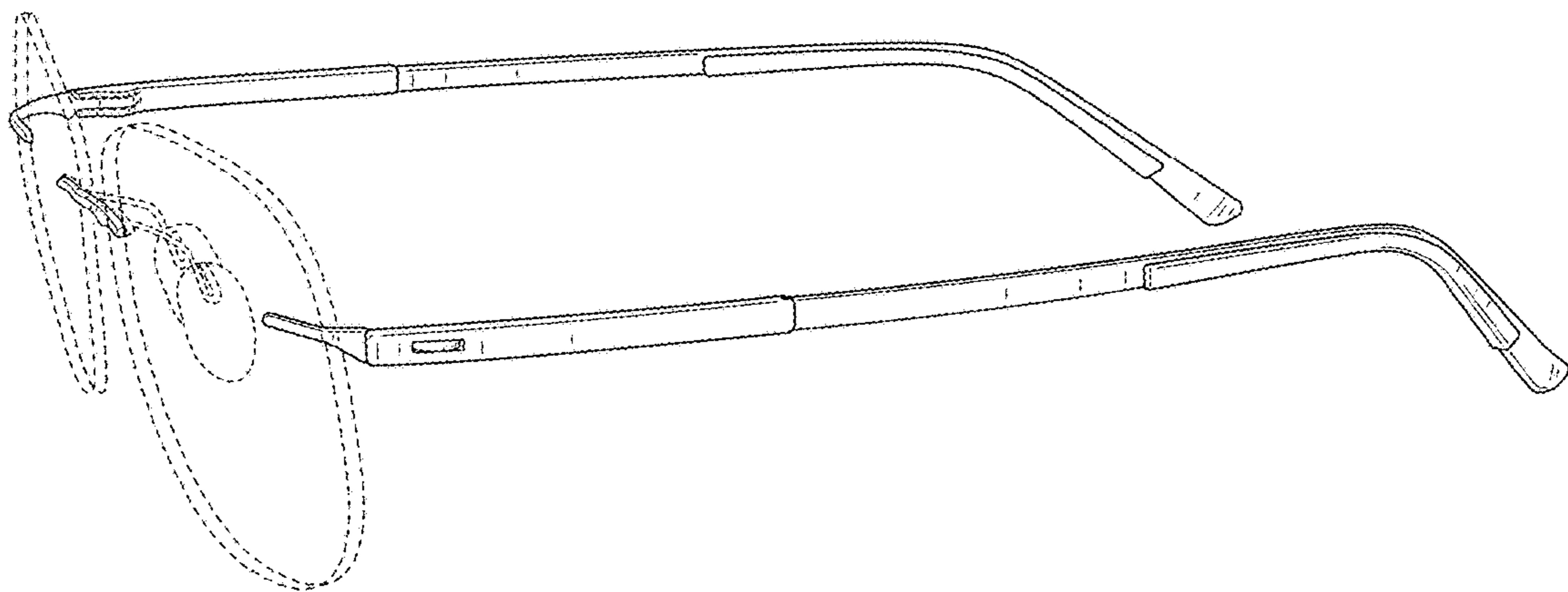


FIG. 1

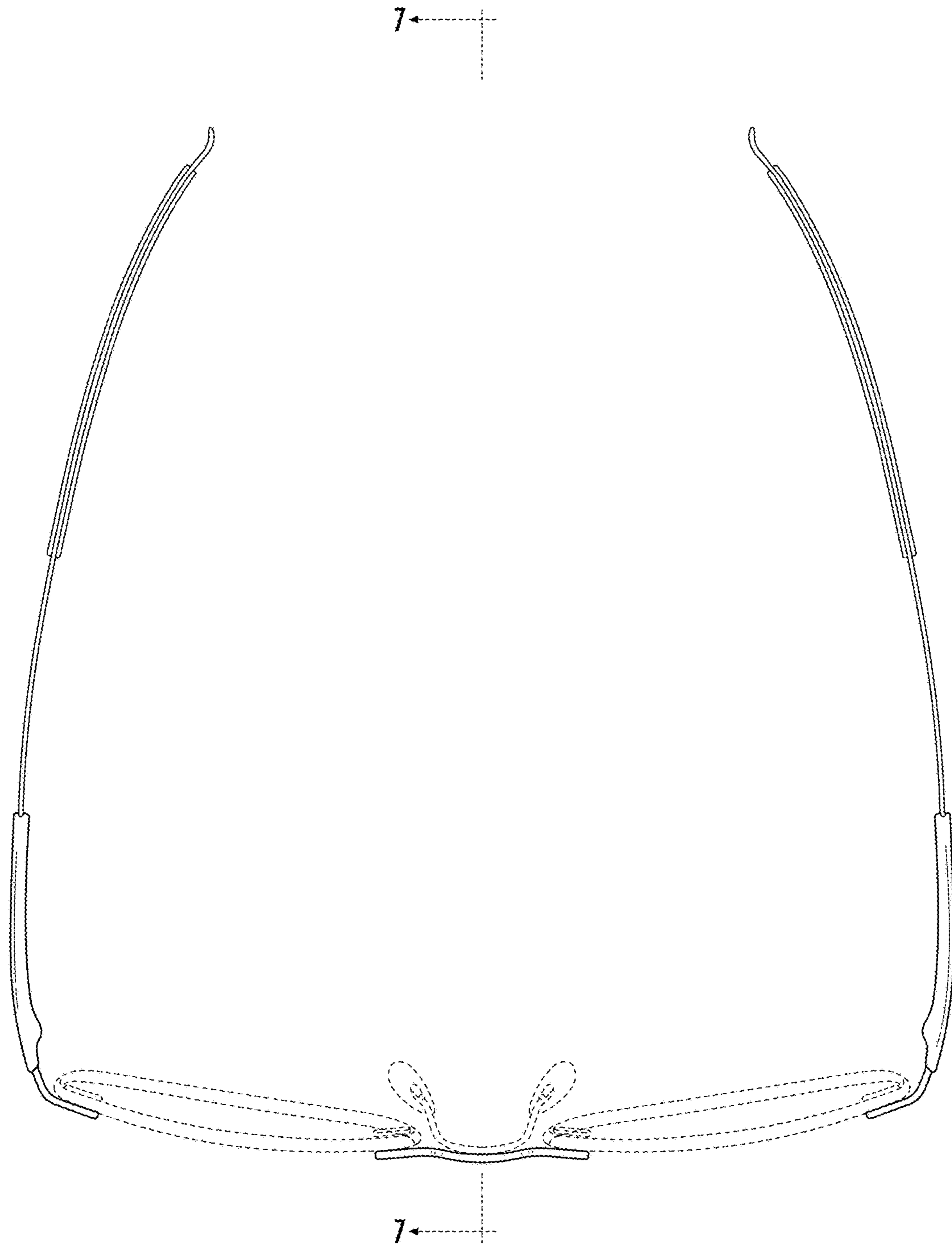


FIG. 2

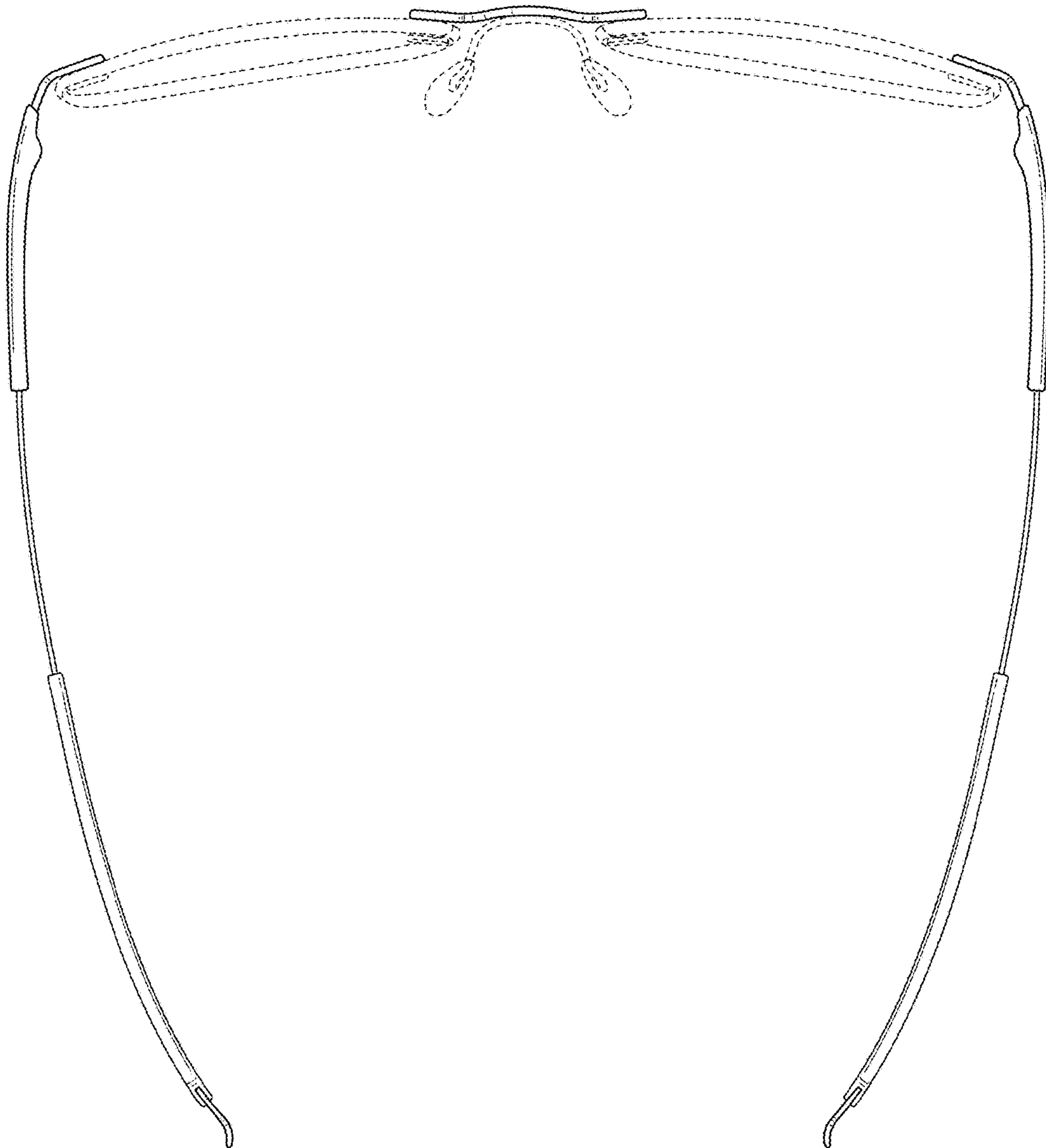


FIG. 3

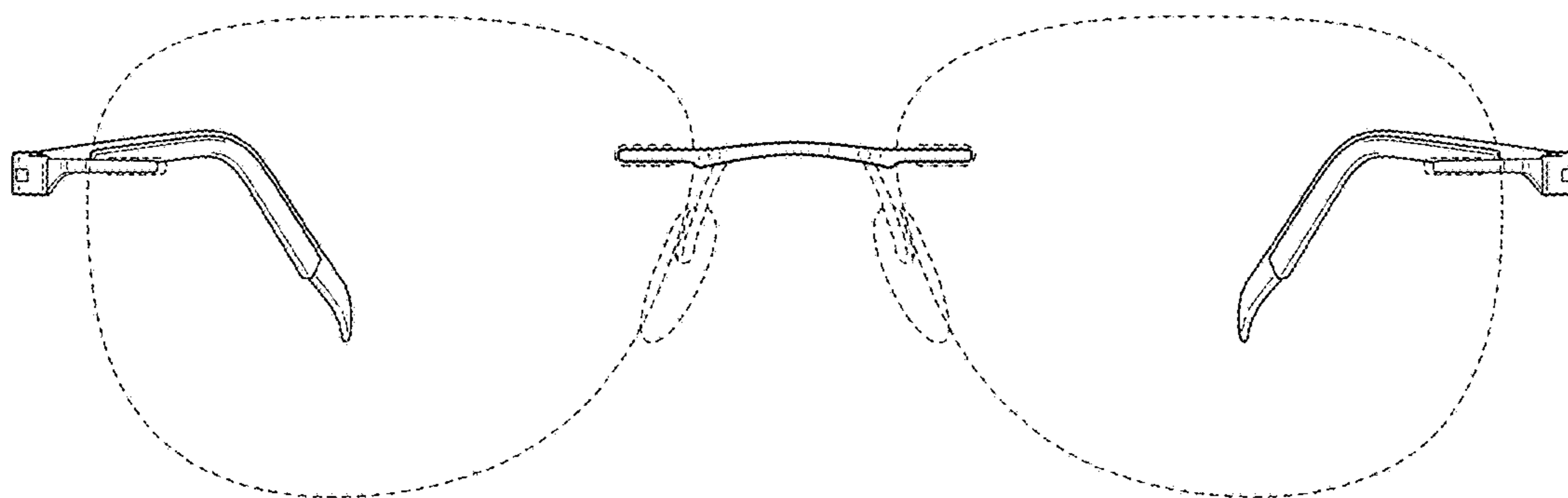


FIG. 4

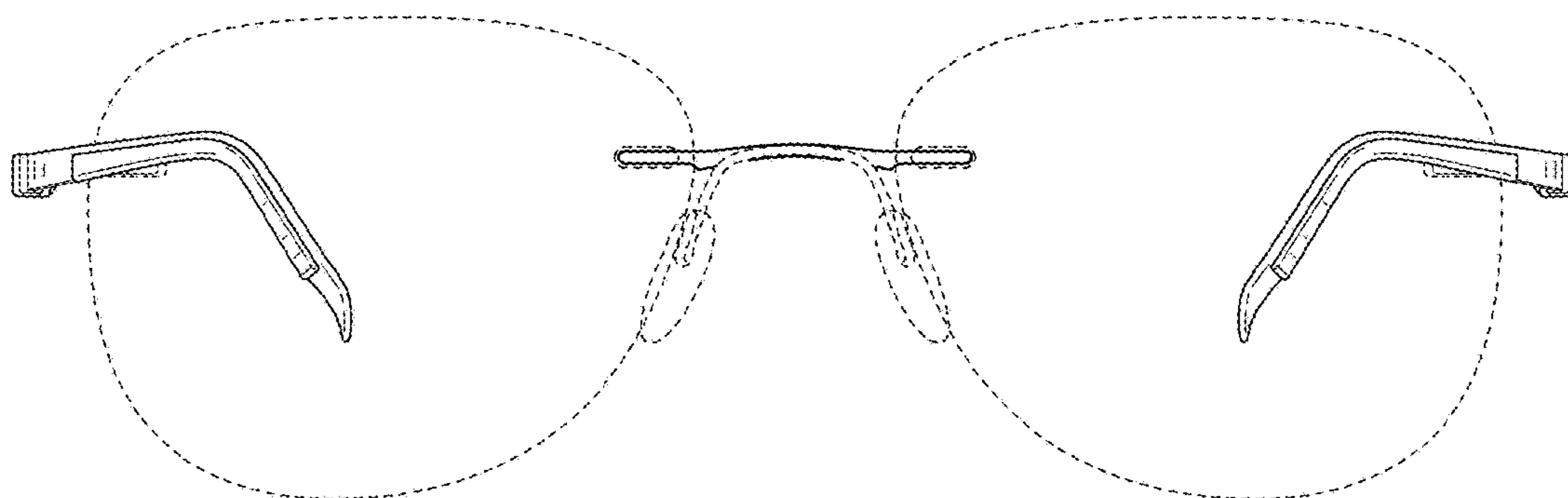


FIG. 5

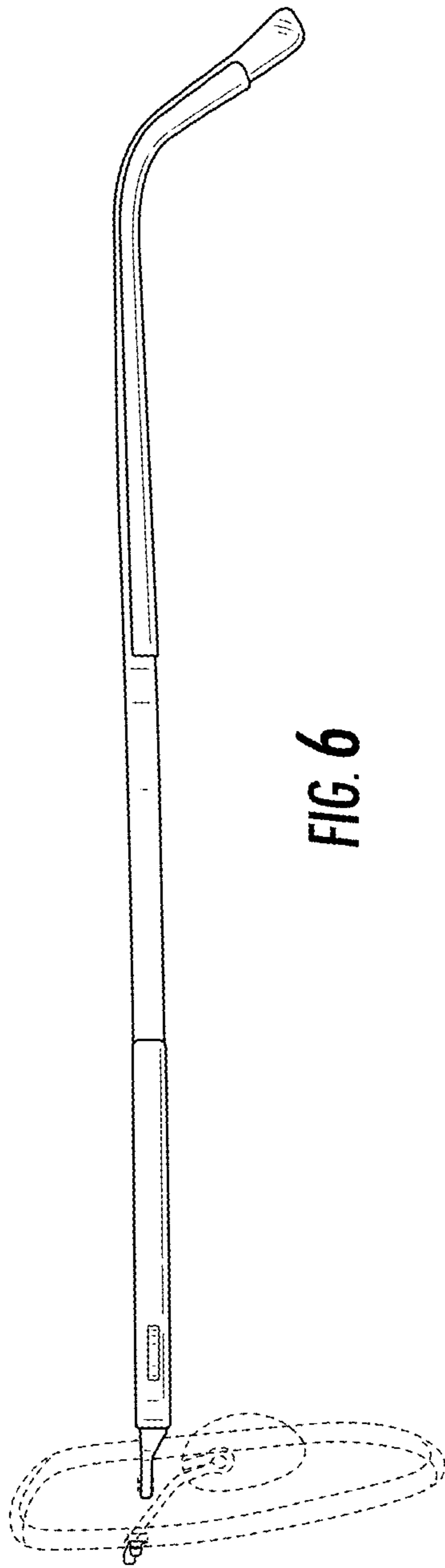


FIG. 6

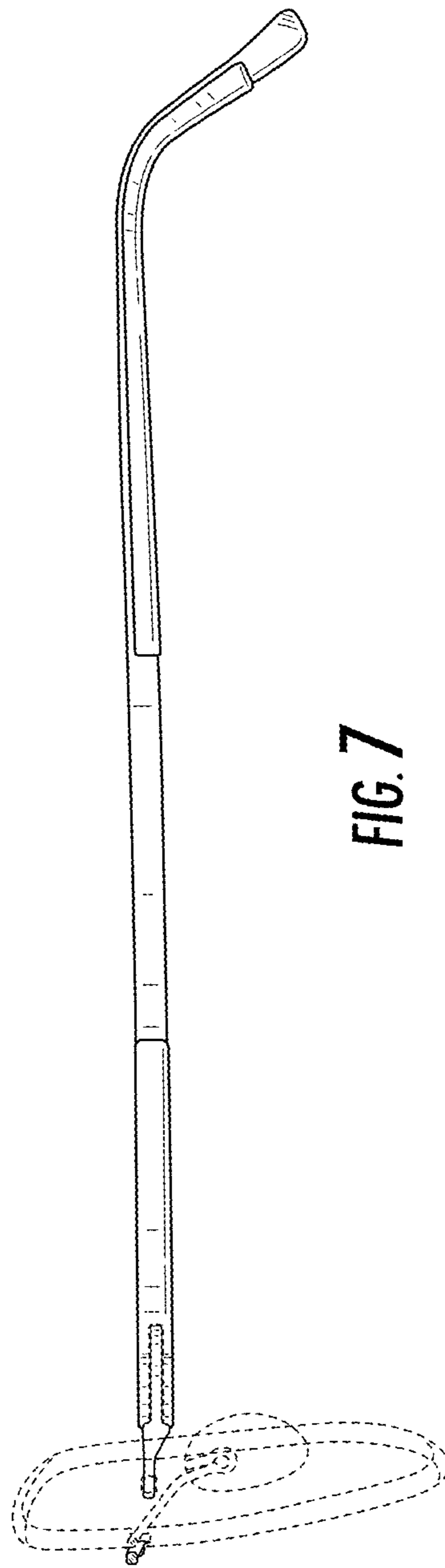


FIG. 7

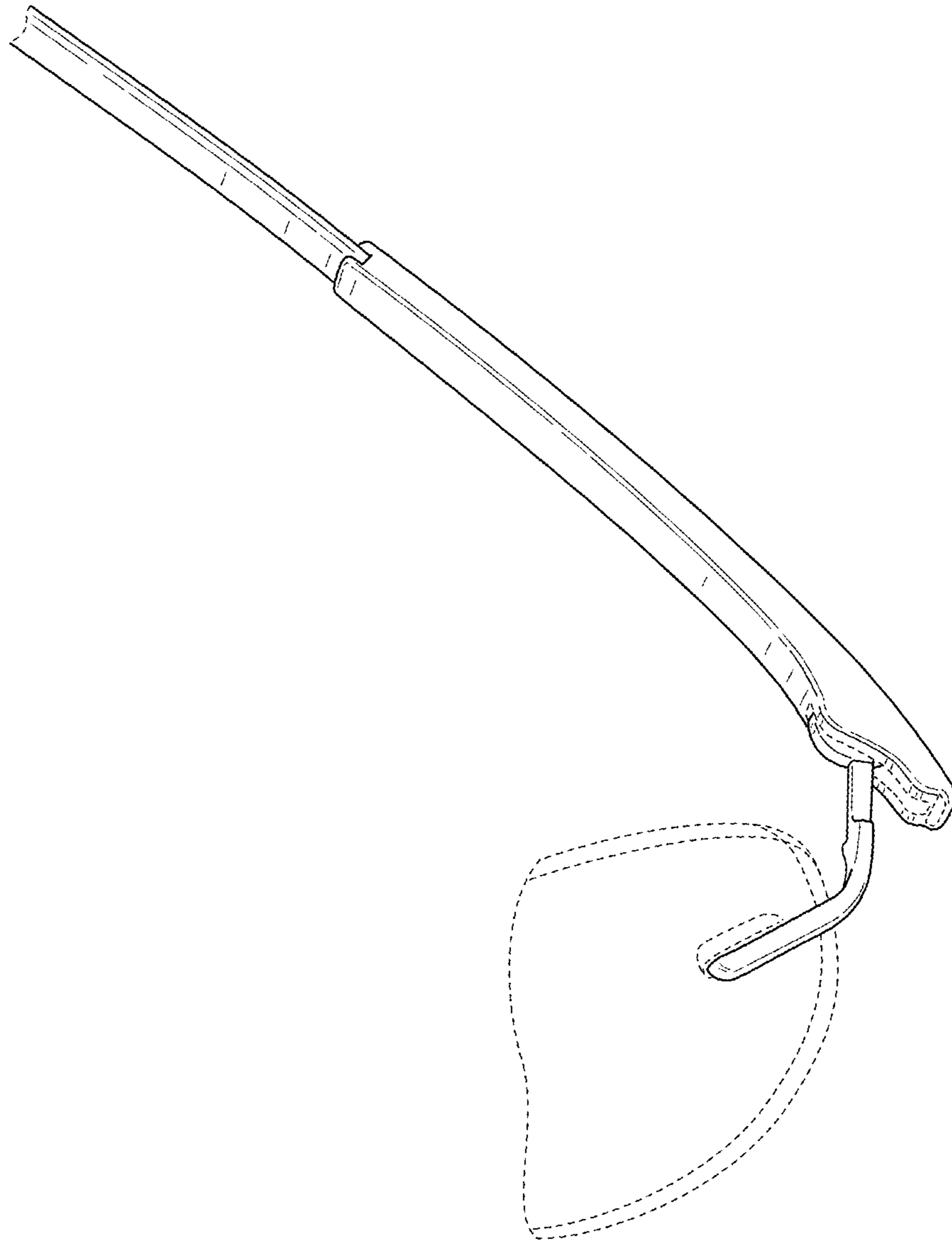


FIG. 8