



US00D781950S

(12) **United States Design Patent** (10) **Patent No.:** **US D781,950 S**
Weisz (45) **Date of Patent:** **** Mar. 21, 2017**

(54) **PROJECTION MOUNT**

(71) Applicant: **James Weisz**, Highland Village, TX
(US)

(72) Inventor: **James Weisz**, Highland Village, TX
(US)

(**) Term: **15 Years**

(21) Appl. No.: **29/549,633**

(22) Filed: **Dec. 28, 2015**

(51) **LOC (10) Cl.** **16-02**

(52) **U.S. Cl.**
USPC **D16/235**; D16/242

(58) **Field of Classification Search**
USPC D16/235, 237, 242, 244–245; D8/349,
D8/354, 373, 380; D14/447
CPC G03B 21/54; G03B 17/56; G03B 17/561;
F16M 11/00; F16M 11/04; F16M 11/18;
F16M 11/26; F16M 11/2014; F16M
11/2021; F16M 13/04
See application file for complete search history.

(56) **References Cited**

U.S. PATENT DOCUMENTS

D222,118 S * 9/1971 Nakatani D16/244
3,782,671 A * 1/1974 Igwe F16M 11/18
248/183.4

D281,073 S * 10/1985 Hanke D16/245
D480,100 S * 9/2003 Lam D16/235
D580,474 S * 11/2008 Lee D16/242
D638,461 S * 5/2011 Kim D16/235
D712,955 S * 9/2014 Hrbacek D16/237
D767,664 S * 9/2016 Polito D16/242

* cited by examiner

Primary Examiner — Wan Laymon

(74) *Attorney, Agent, or Firm* — Kartsounes Law, LLC

(57) **CLAIM**

The ornamental design for the projection mount, as shown and described.

DESCRIPTION

FIG. 1 is a front perspective view of the projection mount; FIG. 2 is a front view thereof; FIG. 3 is a right side view thereof; FIG. 4 is a top plan view thereof; FIG. 5 is a bottom plan view thereof; FIG. 6 is a rear view thereof; and, FIG. 7 is a left side view thereof. The broken line shown in FIG. 5 is included for the purpose of illustrating portions of the projection mount that form no part of the claimed design.

1 Claim, 4 Drawing Sheets

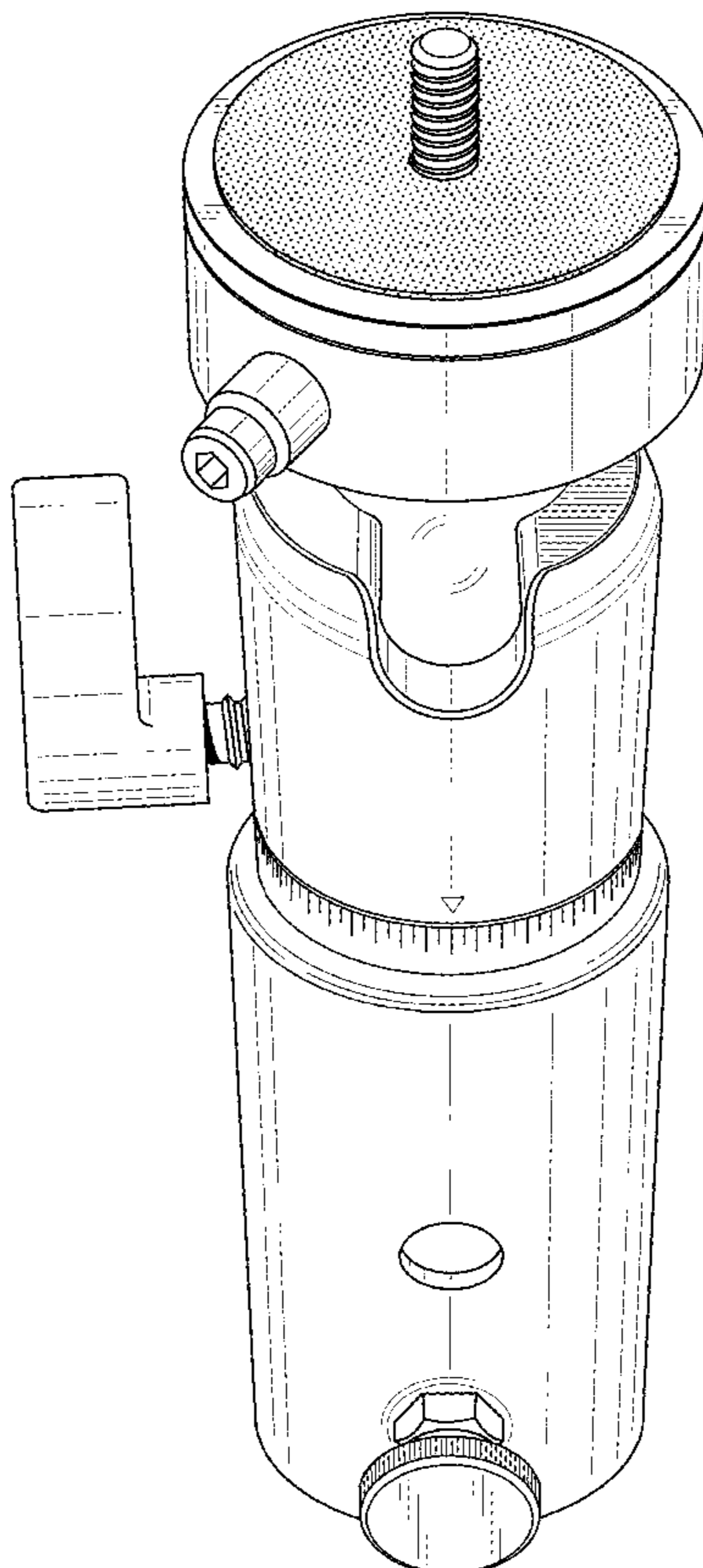


Fig. 1

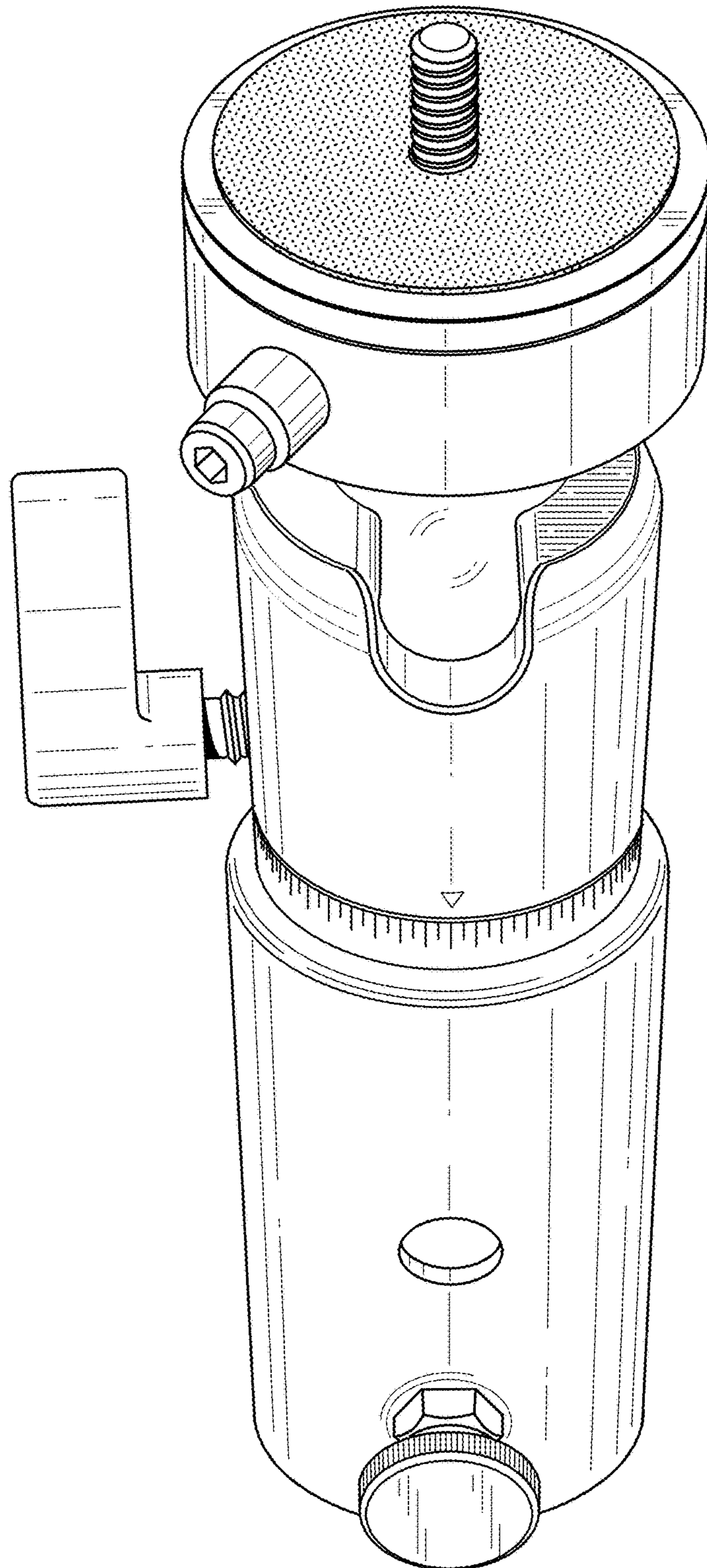


Fig. 2

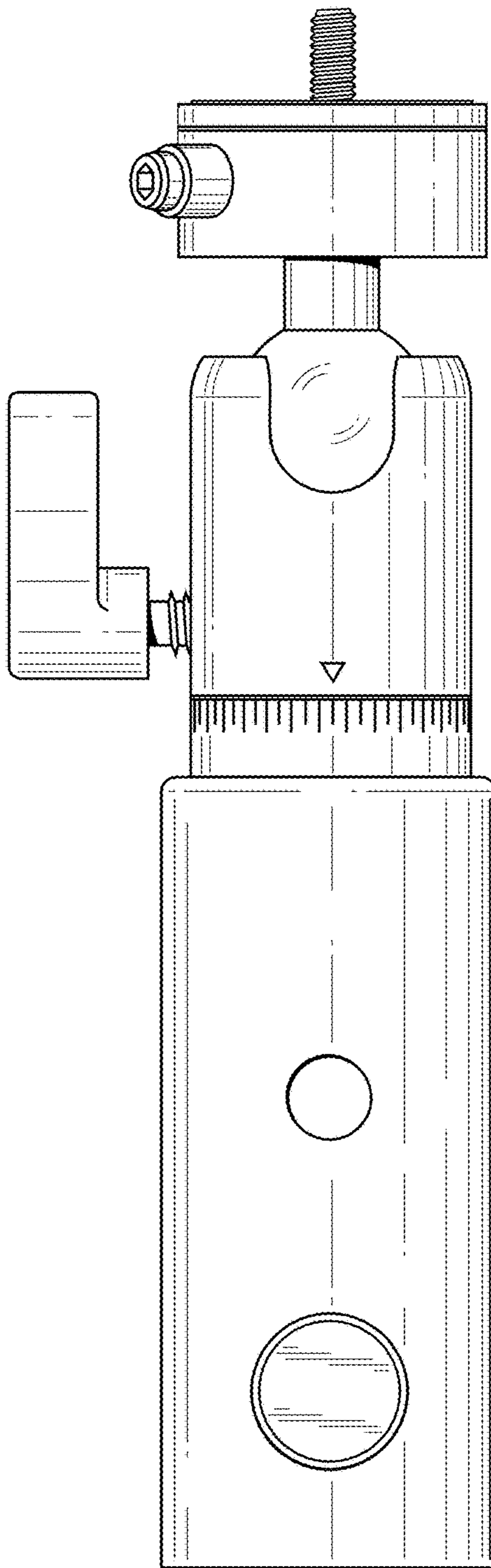


Fig. 3

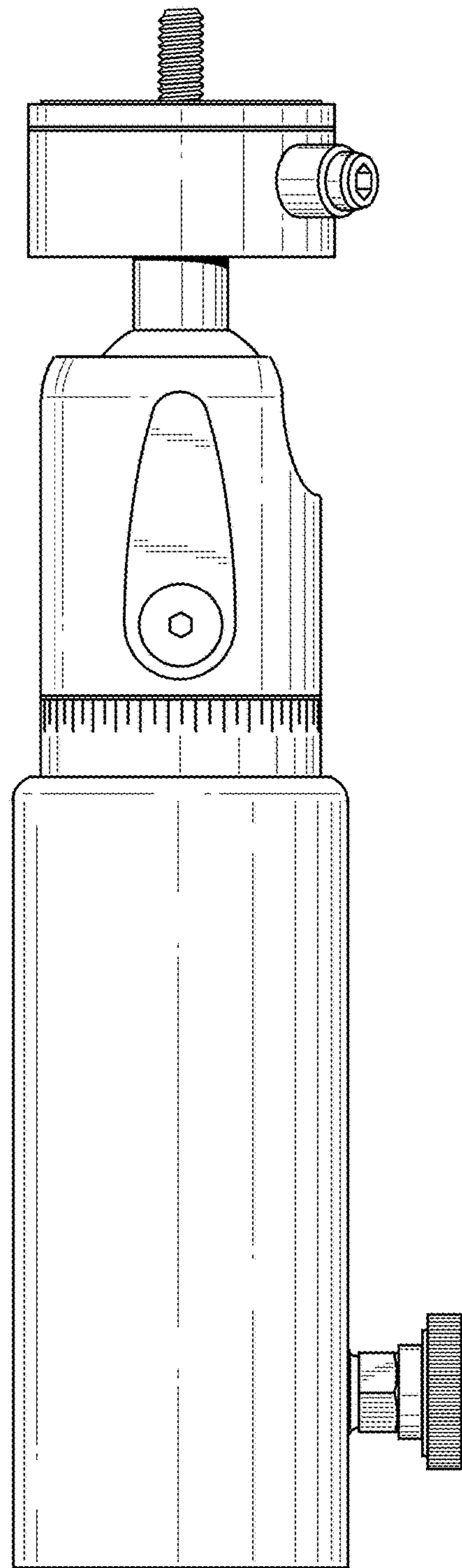


Fig. 4

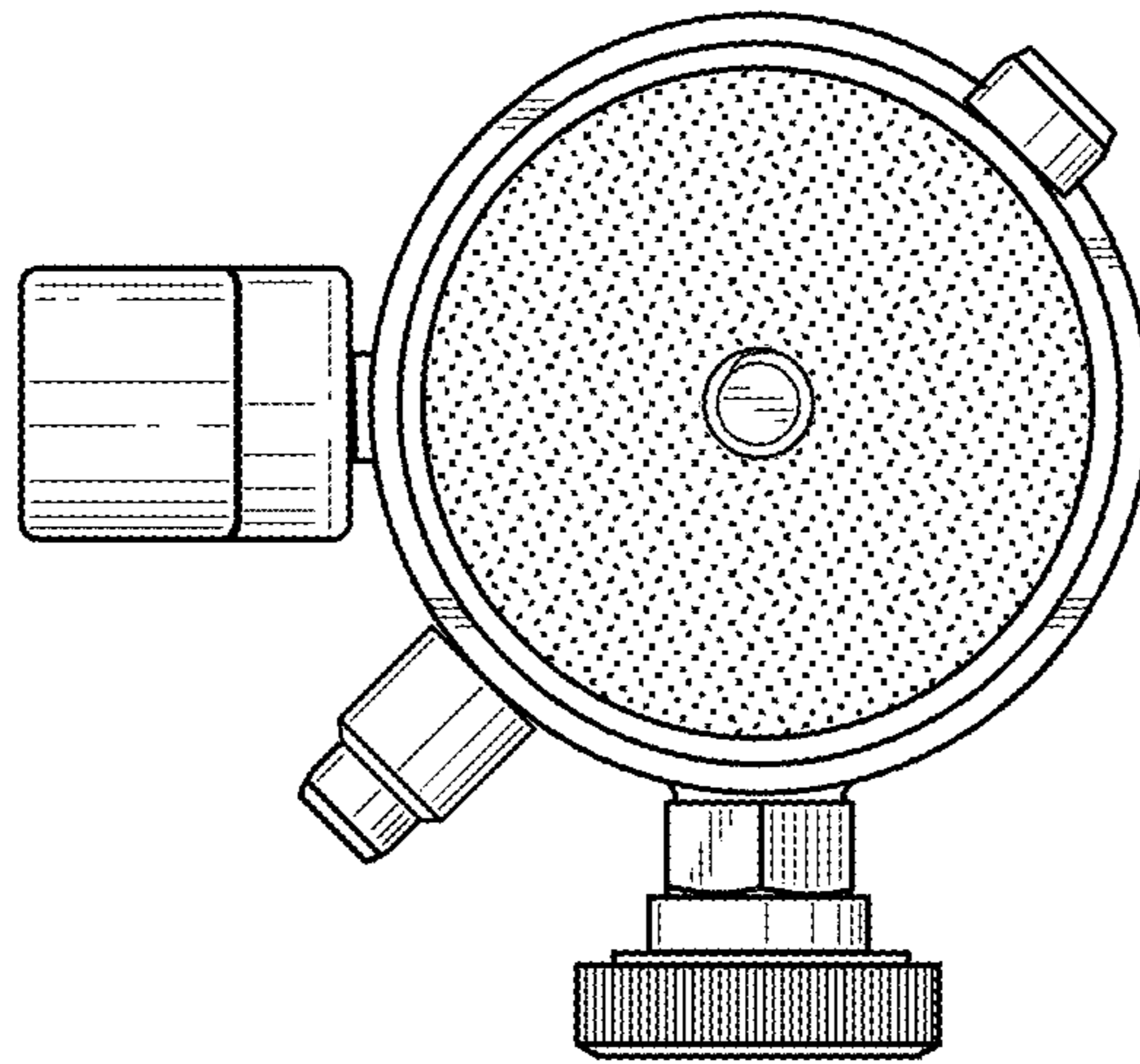


Fig. 5

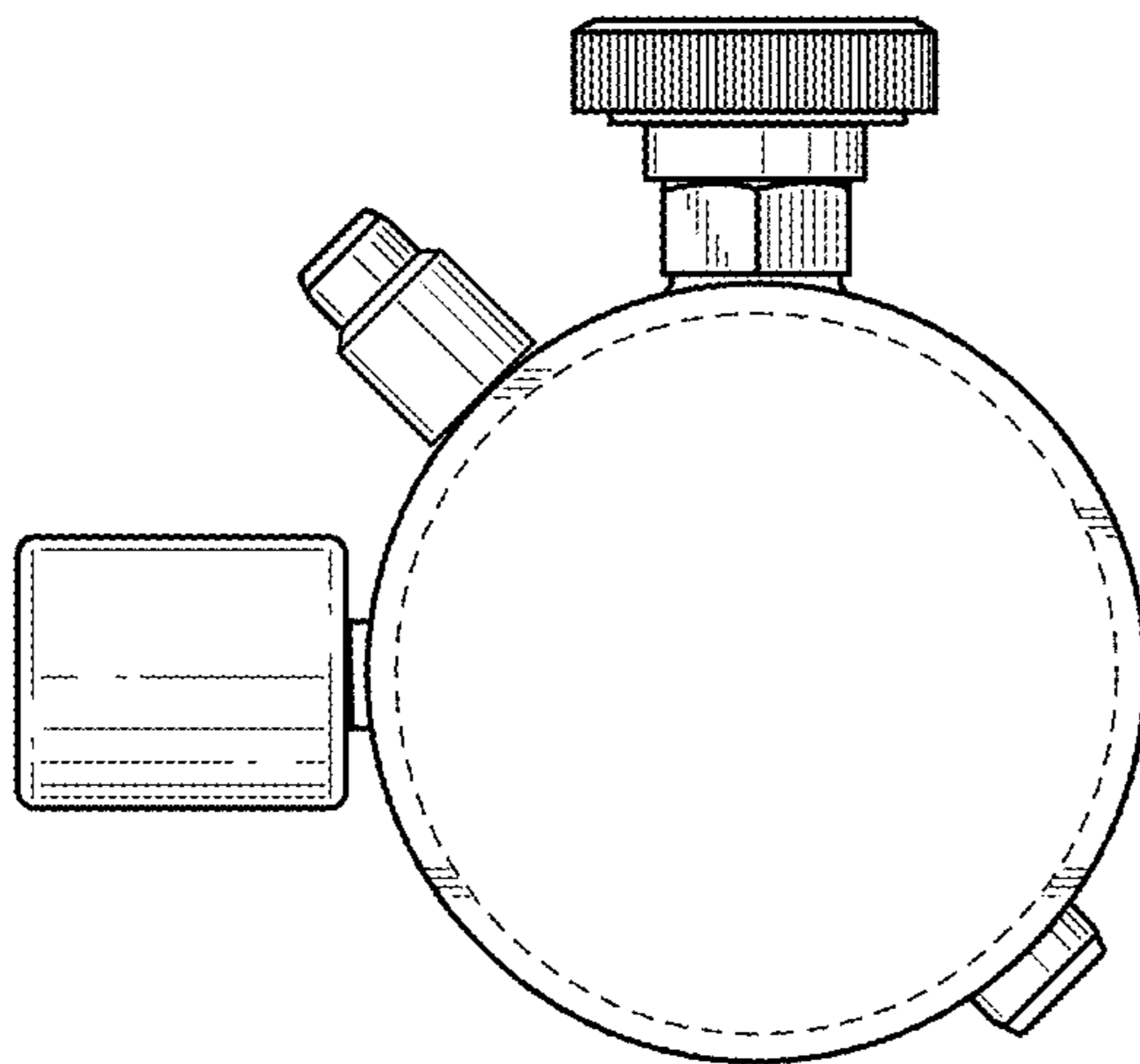


Fig. 6

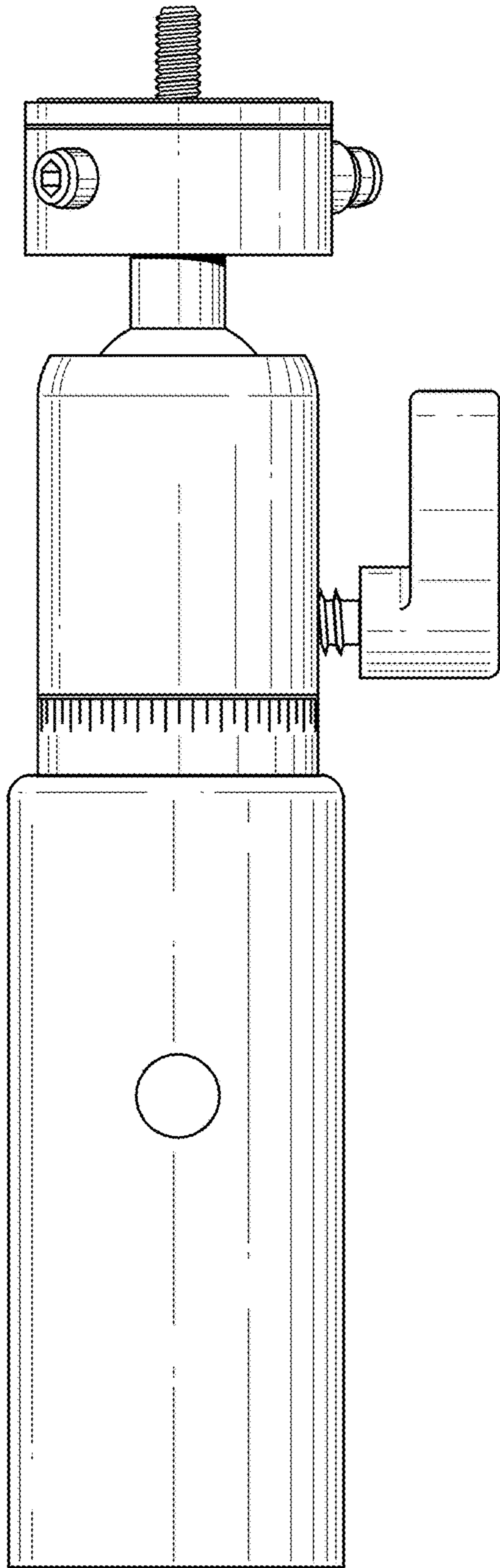


Fig. 7

