



US00D781949S

(12) **United States Design Patent**
Lee et al.

(10) **Patent No.:** **US D781,949 S**
(45) **Date of Patent:** **** Mar. 21, 2017**

(54) **INTERCHANGEABLE LENS FOR CAMERA**

(71) Applicant: **SAMYANG OPTICS CO., LTD.**,
Gyeongsangnam-do (KR)

(72) Inventors: **Han Jea Lee**, Gyeongsangnam-do
(KR); **Tae Sung Kim**,
Gyeongsangnam-do (KR)

(73) Assignee: **Samyang Optics Co., Ltd.**,
Gyeongsangnam-do (KR)

(**) Term: **15 Years**

(21) Appl. No.: **29/534,061**

(22) Filed: **Jul. 24, 2015**

(30) **Foreign Application Priority Data**

Jul. 7, 2015 (KR) 30-2015-0034190

(51) **LOC (10) Cl.** **16-05**

(52) **U.S. Cl.**
USPC **D16/219**

(58) **Field of Classification Search**
USPC D16/200, 210, 211, 218, 219, 202–206,
D16/208, 201, 217; D9/414, 418, 427,
D9/430, 432; D6/517, 524, 527, 528,
D6/531, 535, 559; D14/174, 194, 204,
D14/221; 348/148, 372–376; 396/529,
396/535, 539–541

CPC G03B 15/03; G03B 17/02; G03B 17/04;
G03B 17/56; G03B 19/04; G03B 1/00;
G03B 7/00; G03B 13/02; G03B 13/04;
G03B 13/1963; H04N 5/2251; H04N
5/2252; H04N 5/2253; H04N 5/2254

See application file for complete search history.

(56) **References Cited**

U.S. PATENT DOCUMENTS

D106,062 S * 9/1937 Riddell D16/134
2,926,576 A * 3/1960 Gunther G03B 17/02
396/91

2,926,579 A * 3/1960 Gebele G03B 17/02
396/144
2,935,920 A * 5/1960 Rentschler G03B 7/04
396/298
3,906,534 A * 9/1975 Shirasaki G02B 7/14
359/828
4,448,509 A * 5/1984 Katsuma G03B 17/14
359/828
5,481,406 A * 1/1996 Yamazaki G03B 17/08
359/694
D420,029 S * 2/2000 Kimura D16/134
D529,065 S * 9/2006 Watanabe D16/134
D552,147 S * 10/2007 Tajima D16/134
D566,158 S * 4/2008 Yasutomi D16/134
D682,911 S * 5/2013 Ohashi D16/219

(Continued)

Primary Examiner — Robin V Webster

Assistant Examiner — Rachel Voorhies

(74) *Attorney, Agent, or Firm* — SoCal IP Law Group
LLP; M. Kala Sarvaiya; Steven C. Sereboff

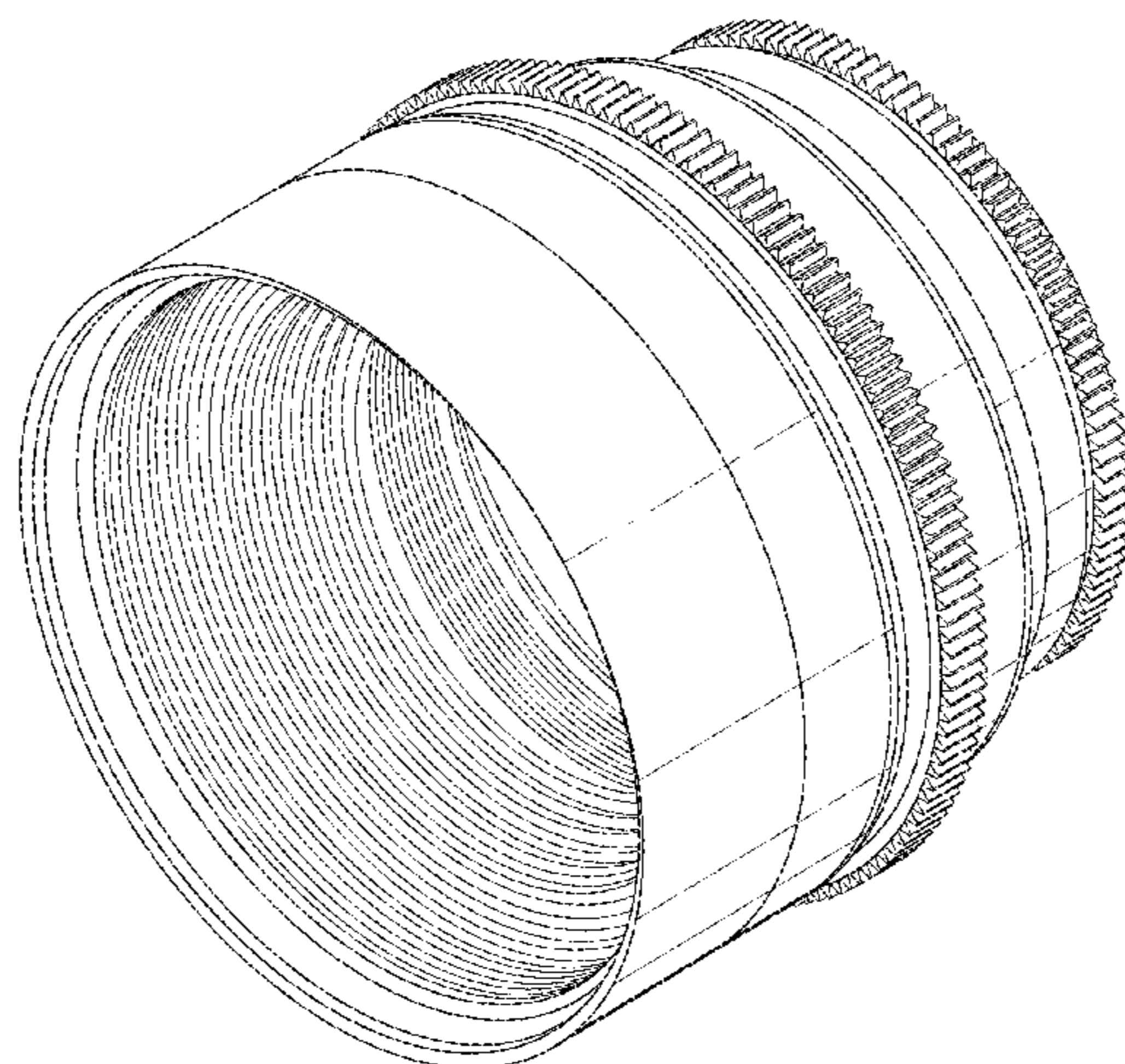
(57) **CLAIM**

The ornamental design for an interchangeable lens for a camera, as shown and described.

DESCRIPTION

FIG. 1 is a front, top and right side perspective view of an interchangeable lens for a camera;
FIG. 2 is a front elevation view thereof;
FIG. 3 is a rear elevation view thereof;
FIG. 4 is a left side elevation view thereof;
FIG. 5 is a right side elevation view thereof;
FIG. 6 is a top plan view thereof; and,
FIG. 7 is a bottom plan view thereof.

1 Claim, 7 Drawing Sheets



(56)

References Cited

U.S. PATENT DOCUMENTS

D684,620	S	*	6/2013	Kim	D16/219
D693,870	S	*	11/2013	Kim	D16/219
D697,542	S	*	1/2014	Kim	D16/219
D697,543	S	*	1/2014	Kim	D16/219
2009/0279192	A1	*	11/2009	Harada	G02B 7/04
						359/825
2014/0369674	A1	*	12/2014	Neff	G03B 11/041
						396/448

* cited by examiner

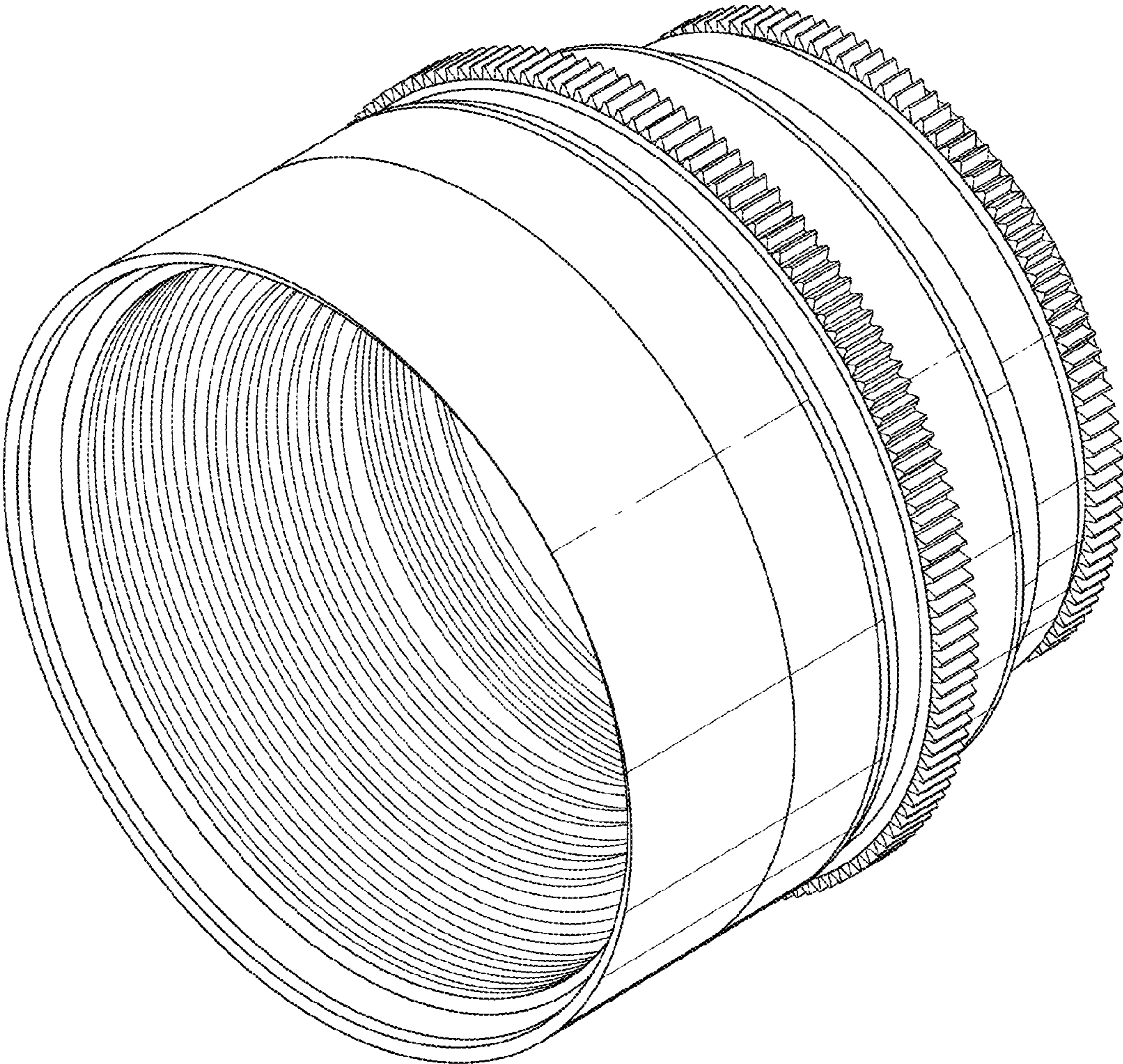


FIG. 1

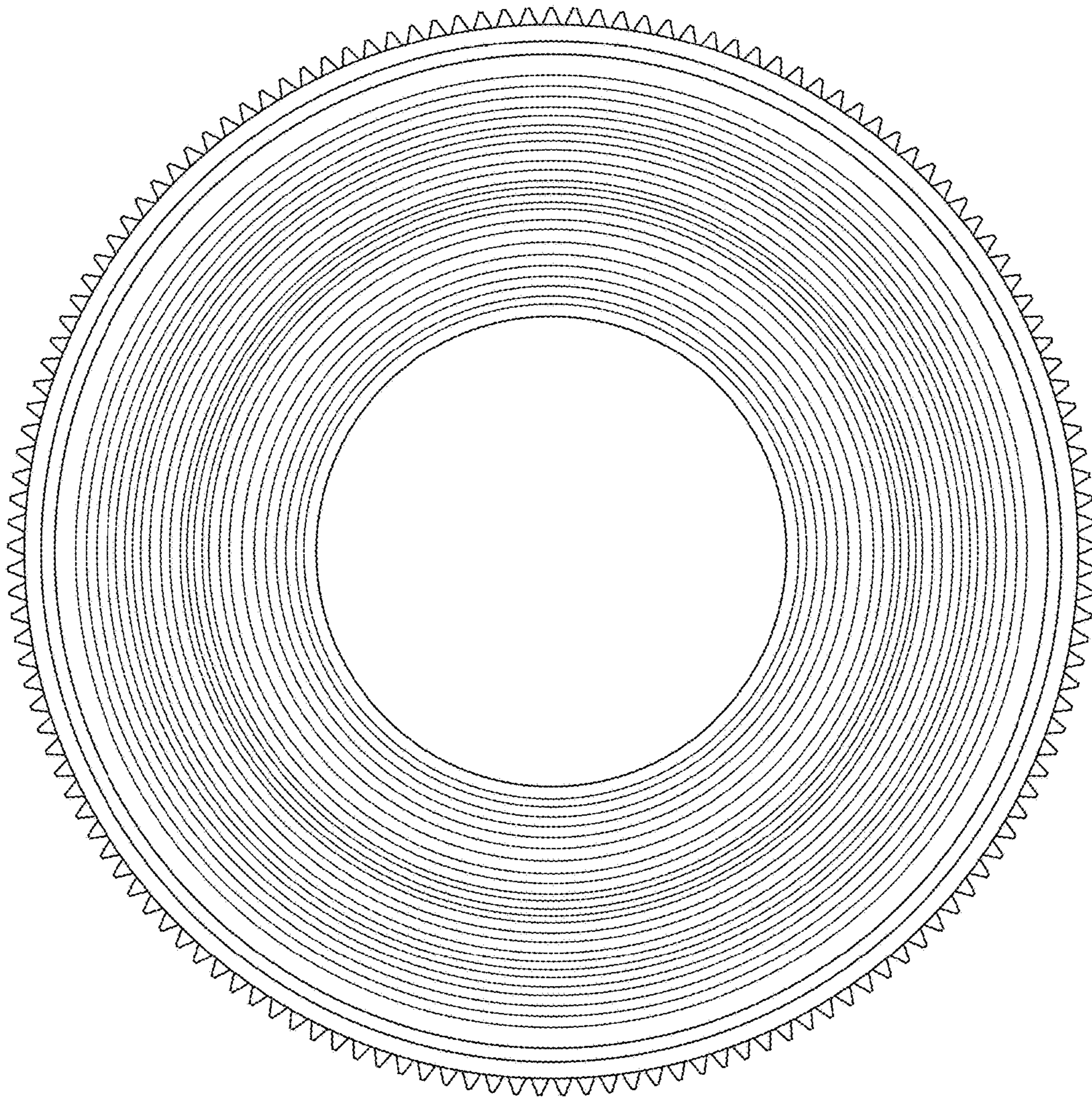


FIG. 2

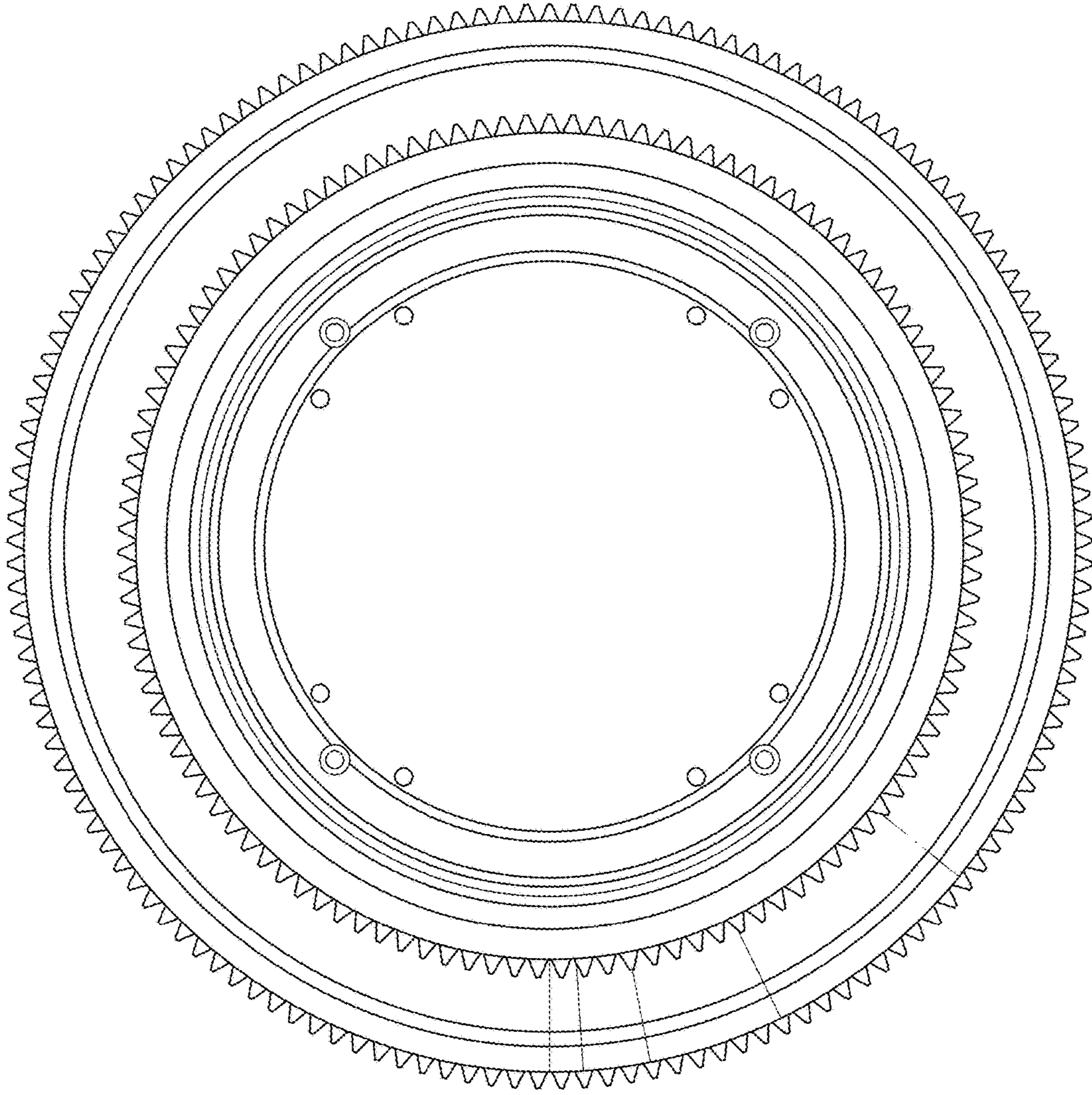


FIG. 3

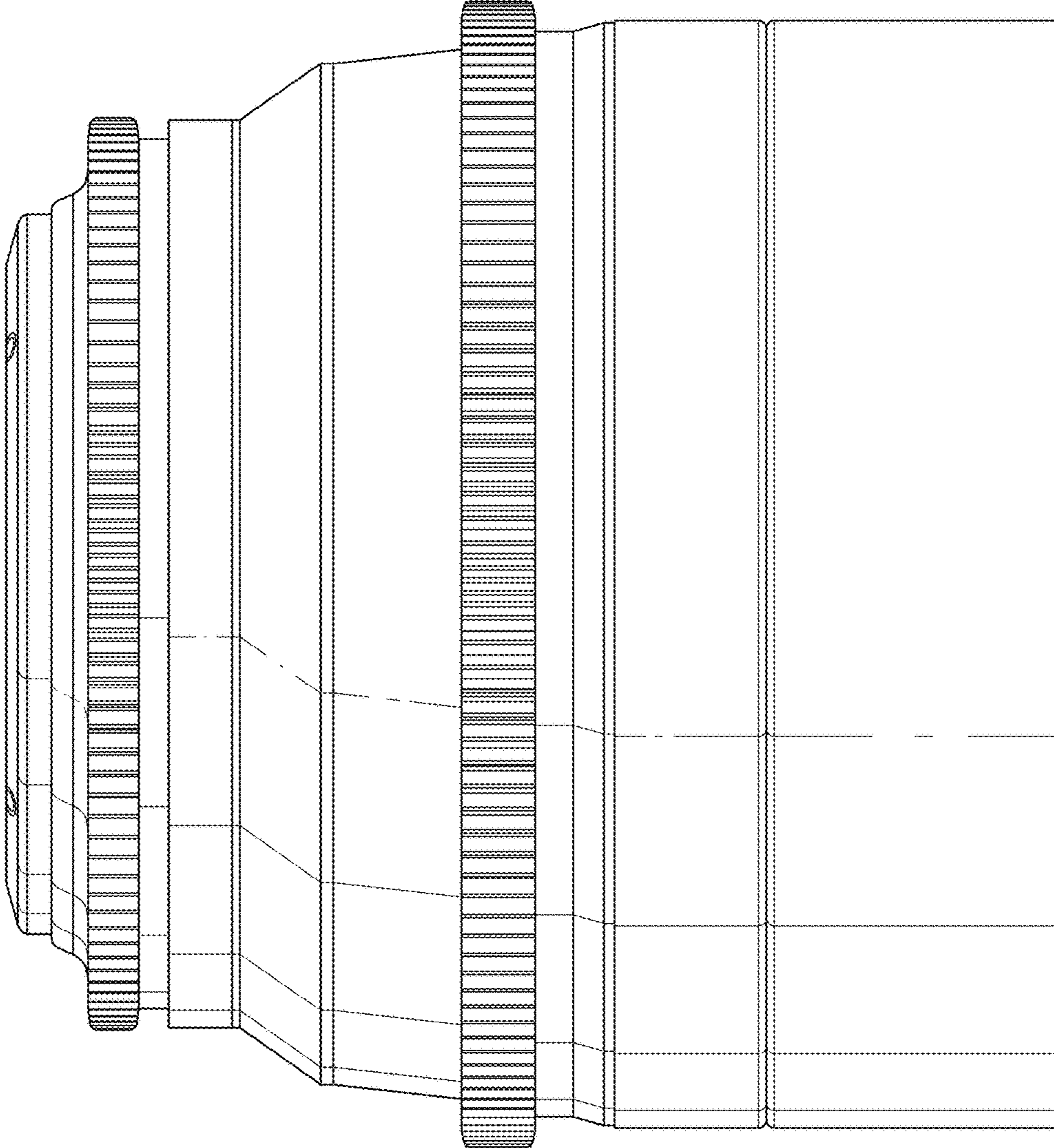


FIG. 4

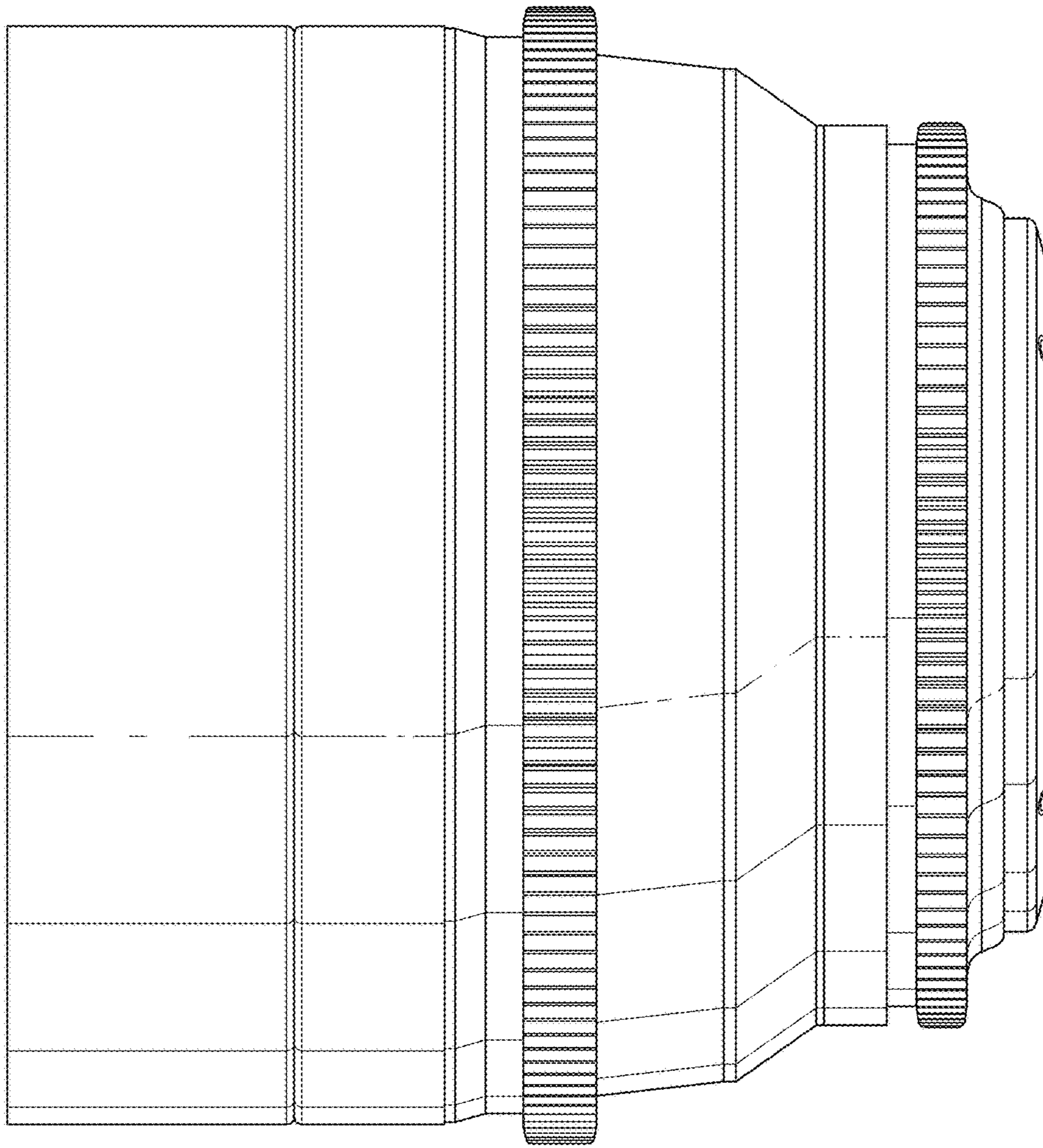


FIG. 5

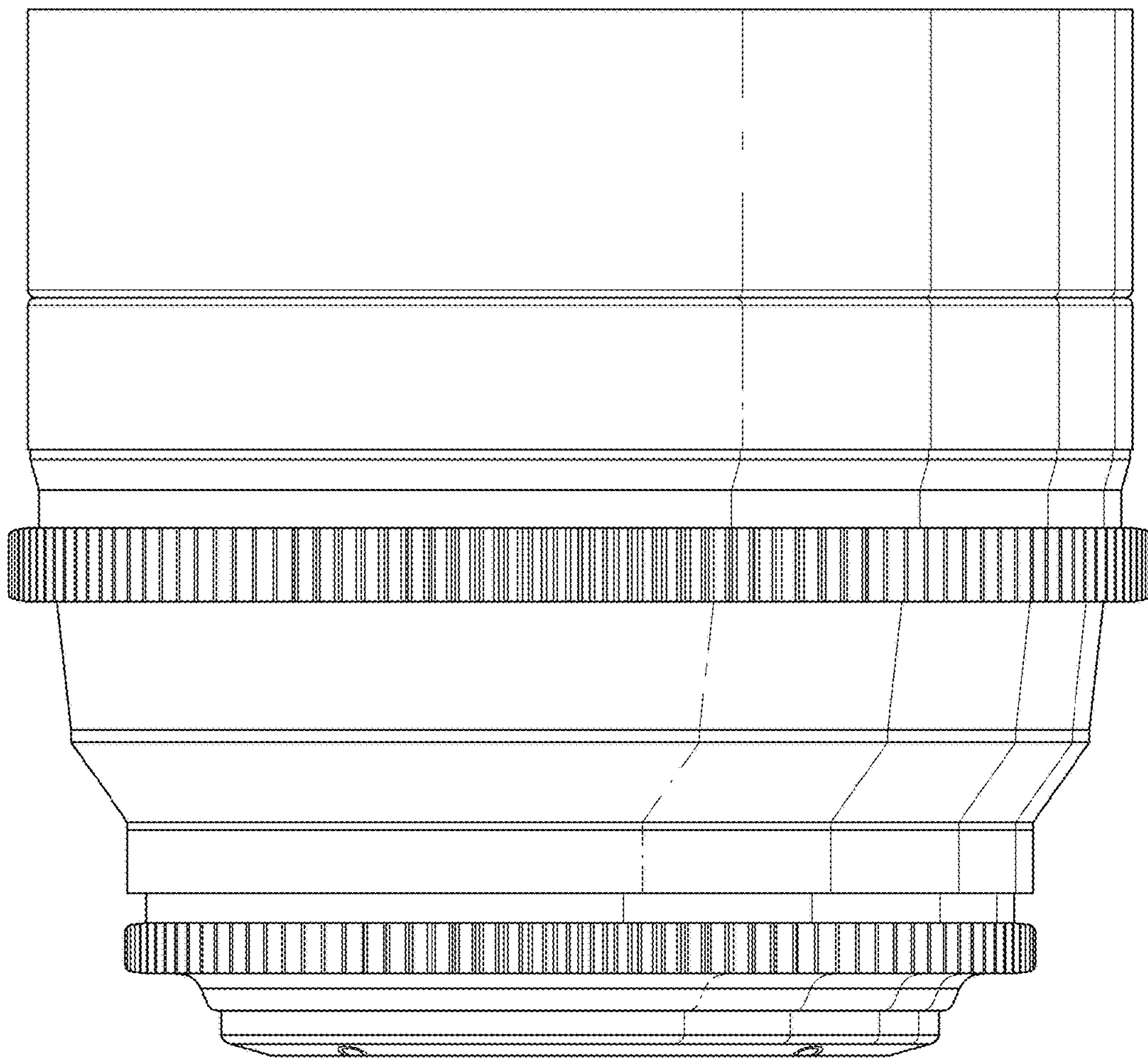


FIG. 6

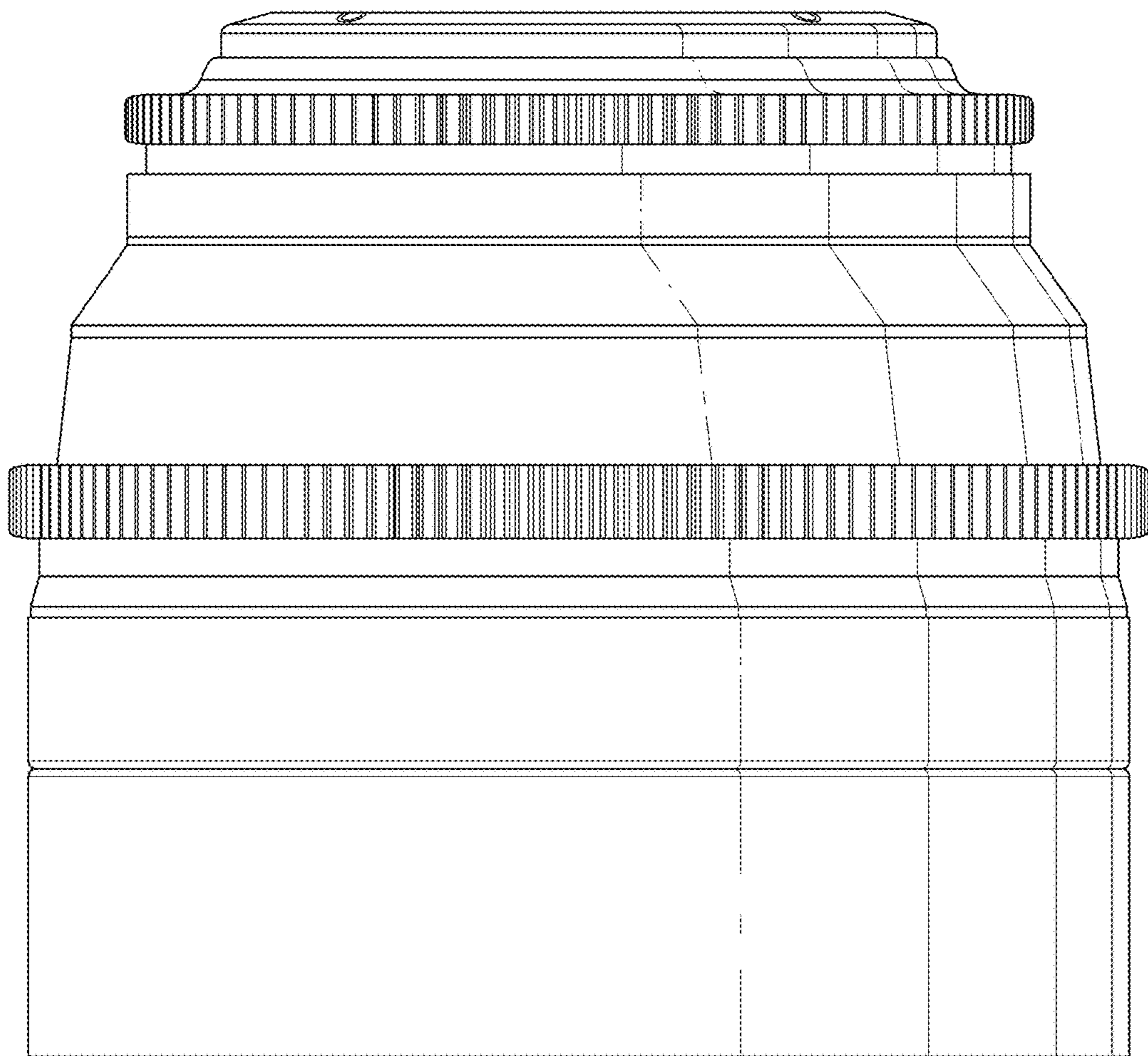


FIG. 7