



US00D781946S

(12) **United States Design Patent**  
**Funakoshi et al.**

(10) **Patent No.:** **US D781,946 S**

(45) **Date of Patent:** **\*\* Mar. 21, 2017**

(54) **MICROSCOPE**

(71) Applicant: **OLYMPUS CORPORATION**,  
Shibuya-ku, Tokyo (JP)

(72) Inventors: **Yasuo Funakoshi**, Hachioji (JP);  
**Takehiko Hayashi**, Sagamihara (JP);  
**Takayuki Kono**, Akiruno (JP)

(73) Assignee: **OLYMPUS CORPORATION**, Tokyo  
(JP)

(\*\*) Term: **15 Years**

(21) Appl. No.: **29/557,252**

(22) Filed: **Mar. 7, 2016**

(30) **Foreign Application Priority Data**

Sep. 24, 2015 (JP) ..... 2015-021004

(51) **LOC (10) Cl.** ..... **16-01**

(52) **U.S. Cl.**  
USPC ..... **D16/131**

(58) **Field of Classification Search**  
USPC ..... D16/130, 131, 134, 136, 137, 219, 235,  
D16/237; D26/120, 124  
CPC G02B 21/004; G02B 21/008; G02B 21/0088;  
G02B 21/20; G02B 21/22; G02B 21/24  
See application file for complete search history.

(56) **References Cited**

**U.S. PATENT DOCUMENTS**

D354,299 S \* 1/1995 Hofmann-Igl ..... D16/131  
D356,804 S \* 3/1995 Hofmann-Igl ..... D16/131  
6,268,959 B1 \* 7/2001 Kawahito ..... G02B 21/26  
359/368  
D690,342 S \* 9/2013 Funakoshi ..... D16/131

2003/0090792 A1\* 5/2003 Kenny ..... G02B 21/06  
359/385  
2006/0171024 A1\* 8/2006 Hoyer ..... G02B 21/12  
359/368  
2007/0291798 A1\* 12/2007 Kenny ..... G02B 21/06  
372/6  
2010/0195199 A1\* 8/2010 Tamura ..... G02B 21/24  
359/391

**OTHER PUBLICATIONS**

Microscope World, Motic AE2000 Inverted Biological Microscope,  
[online] Nov. 2015 retrieved from Archive.org on Nov. 15, 2016  
<URL:https://web.archive.org/web/20151104140009/http://www.  
motic-microscope.com/p-740-motic-ae2000-inverted-biological-  
microscope.aspx>.\*

(Continued)

*Primary Examiner* — Sheryl Lane

*Assistant Examiner* — Calvin E Vansant

(74) *Attorney, Agent, or Firm* — Holtz, Holtz & Volek PC

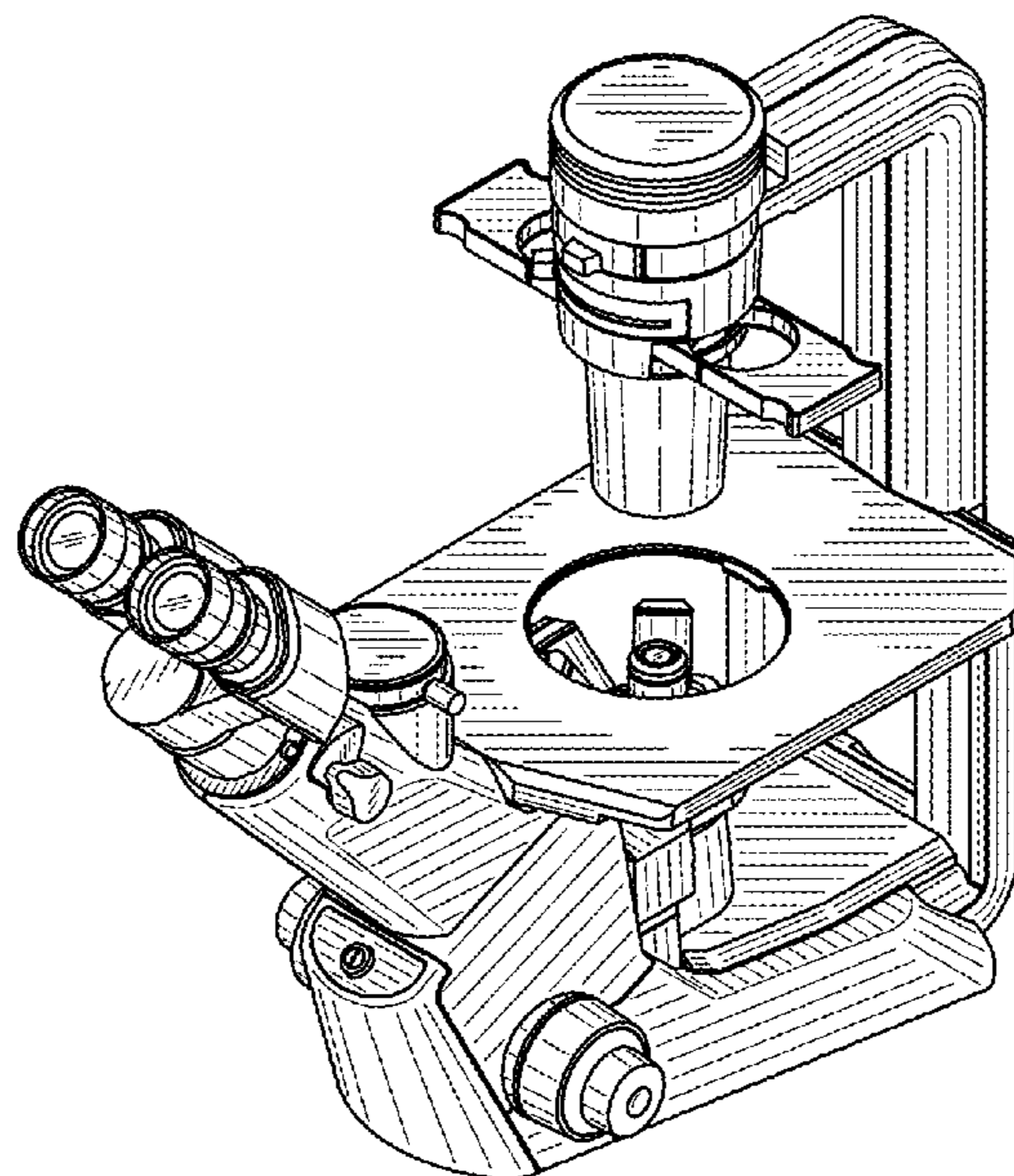
(57) **CLAIM**

The ornamental design for a microscope, as shown.

**DESCRIPTION**

FIG. 1 is a front, top and right side perspective view of a microscope showing our new design;  
FIG. 2 is a front, top and left side perspective view thereof;  
FIG. 3 is a front elevational view thereof;  
FIG. 4 is a rear elevational view thereof;  
FIG. 5 is a right side elevational view thereof;  
FIG. 6 is a left side elevational view thereof;  
FIG. 7 is a top plan view thereof; and,  
FIG. 8 is a bottom plan view thereof.

**1 Claim, 4 Drawing Sheets**



(56)

**References Cited**

OTHER PUBLICATIONS

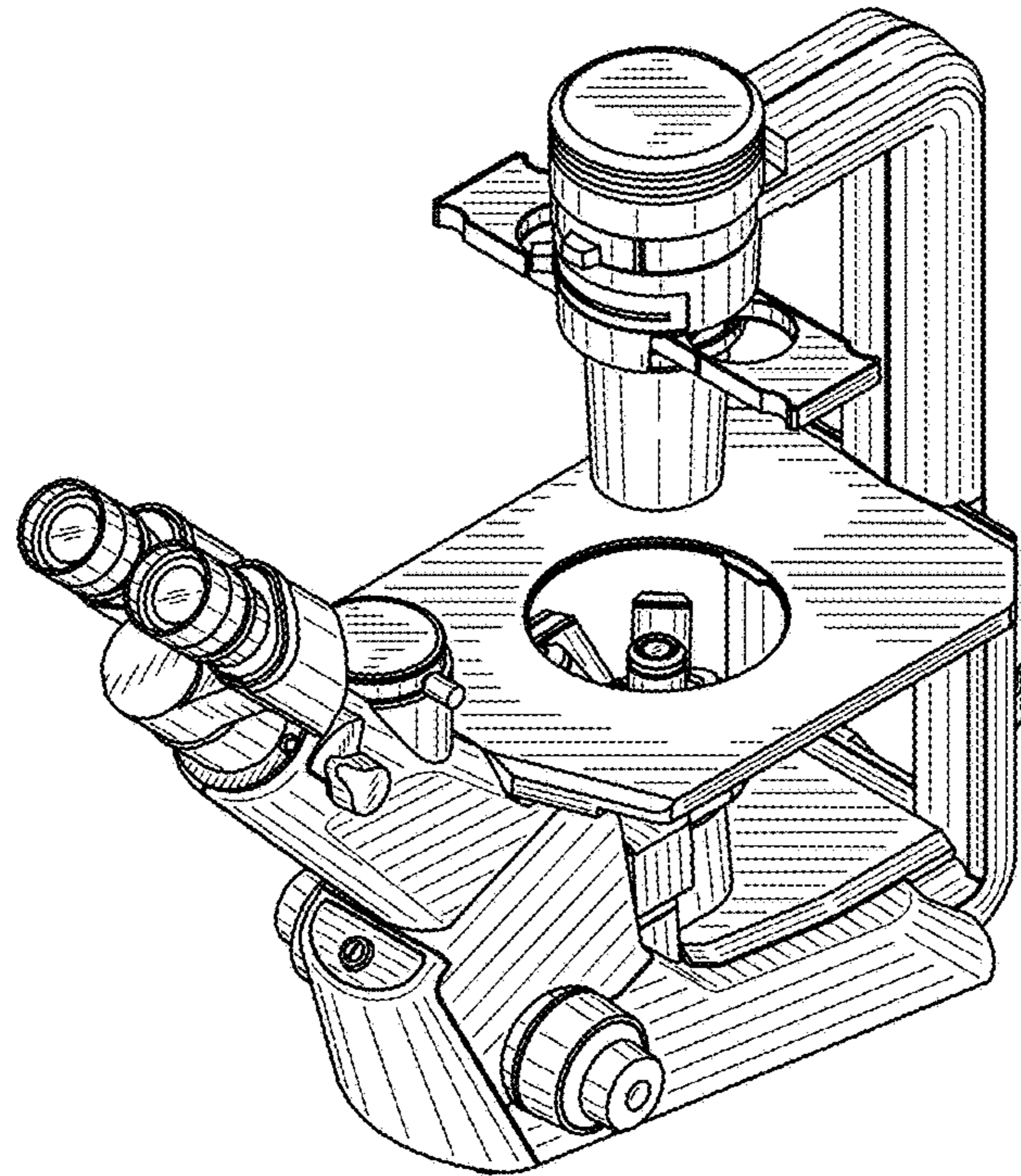
News-Medical.net, IX51 Inverted Microscope from Olympus, [online], Jan. 2013 retrieved from Archive.org on Nov. 15, 2016 <URL:https://web.archive.org/web/20130120205404/http://www.news-medical.net/IX51-Inverted-Microscope-from-Olympus>.\*

Altec, Inverted Microscope, product page, [online], retrieved Nov. 21, 2016 from <URL: http://www.equipmentsexporters.com/product-details/inverted-microscope-1400.html>Meiji.\*

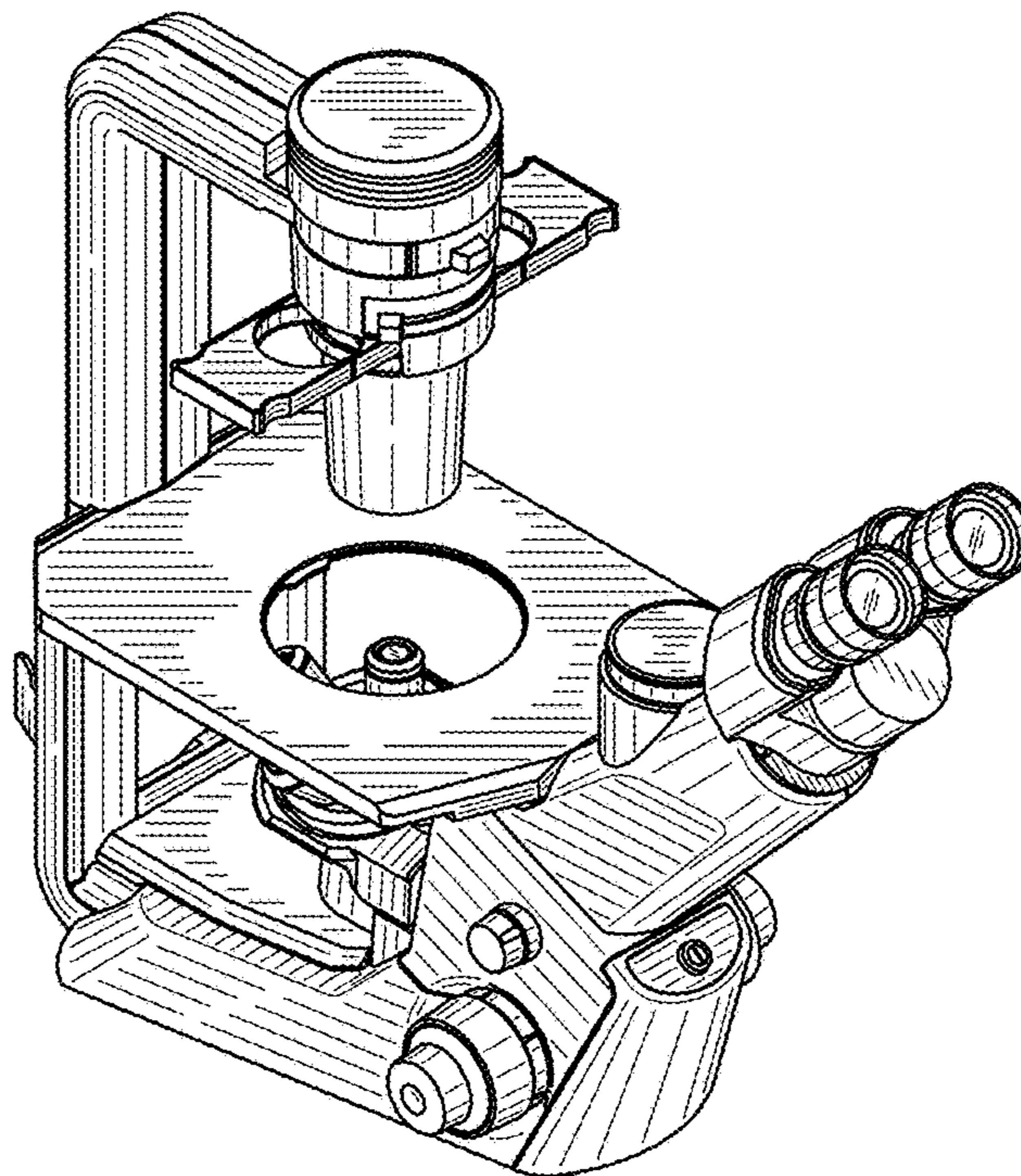
Meiji Techno, TC-5100 Binocular Inverted Brightfield Biological Microscope, product page, [online], retrieved Nov. 21, 2016 from <URL: http://meijitechno.com/tc-5100-binocular-inverted-brightfield-biological-microscope>.\*

\* cited by examiner

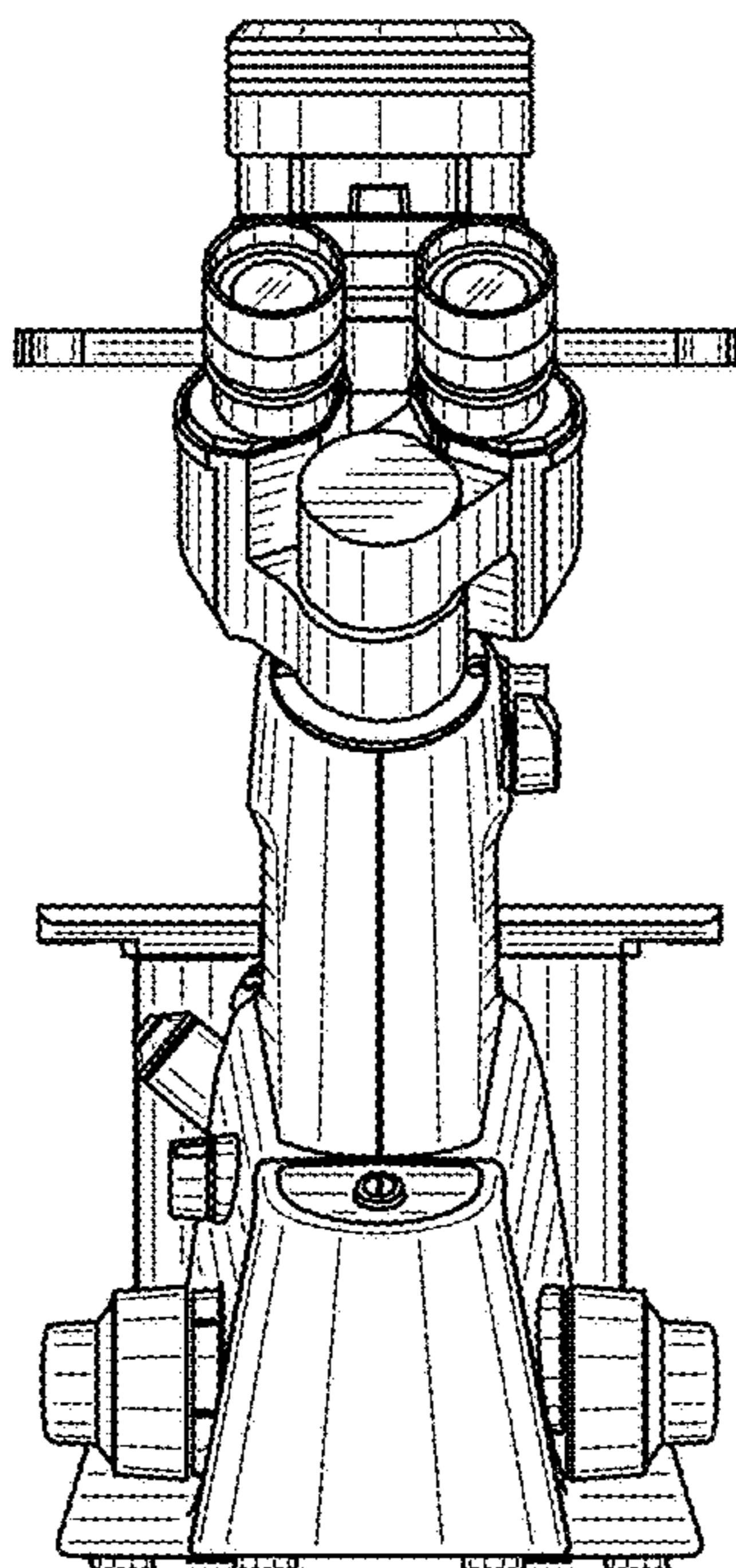
*FIG. 1*



*FIG. 2*



*FIG. 3*



*FIG. 4*

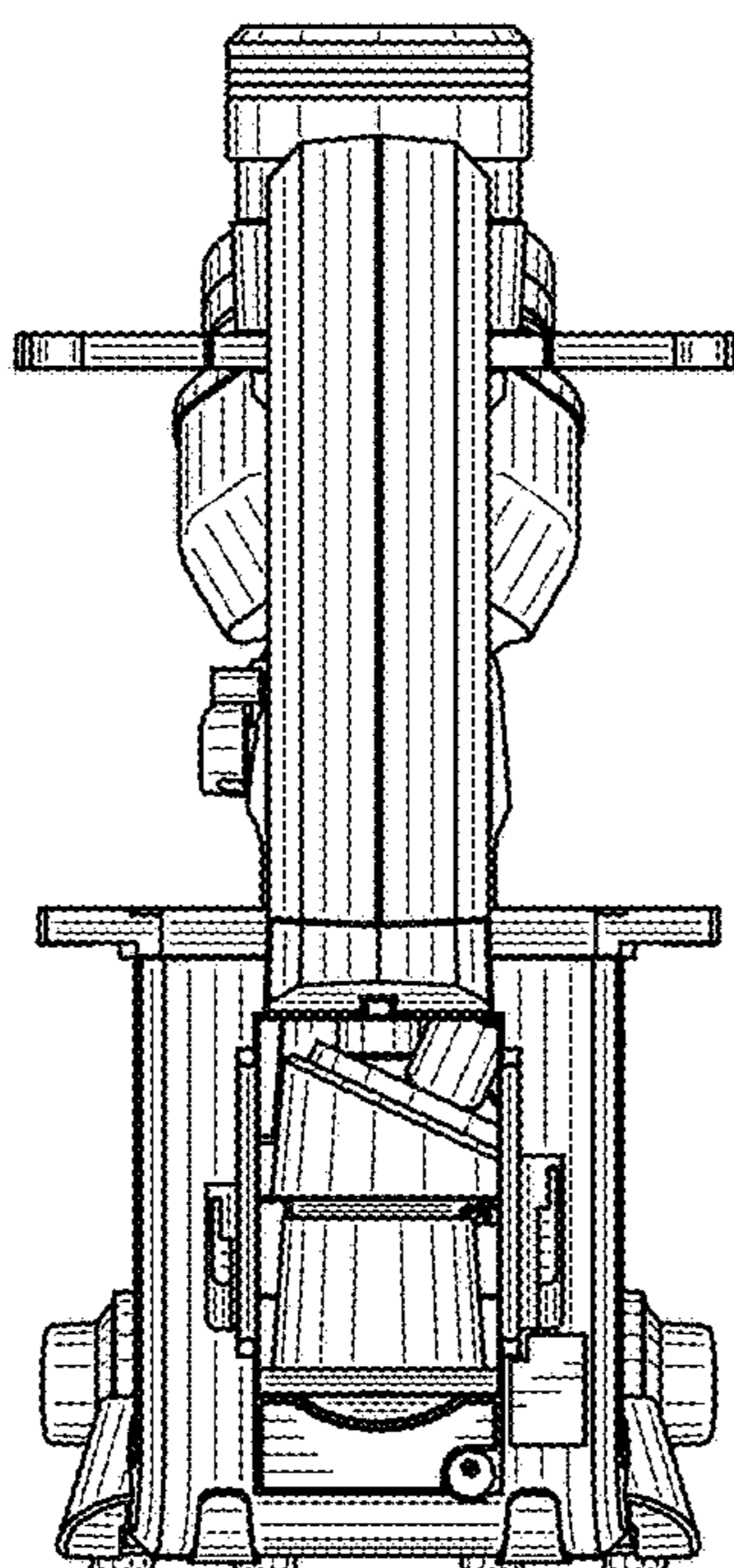


FIG. 5

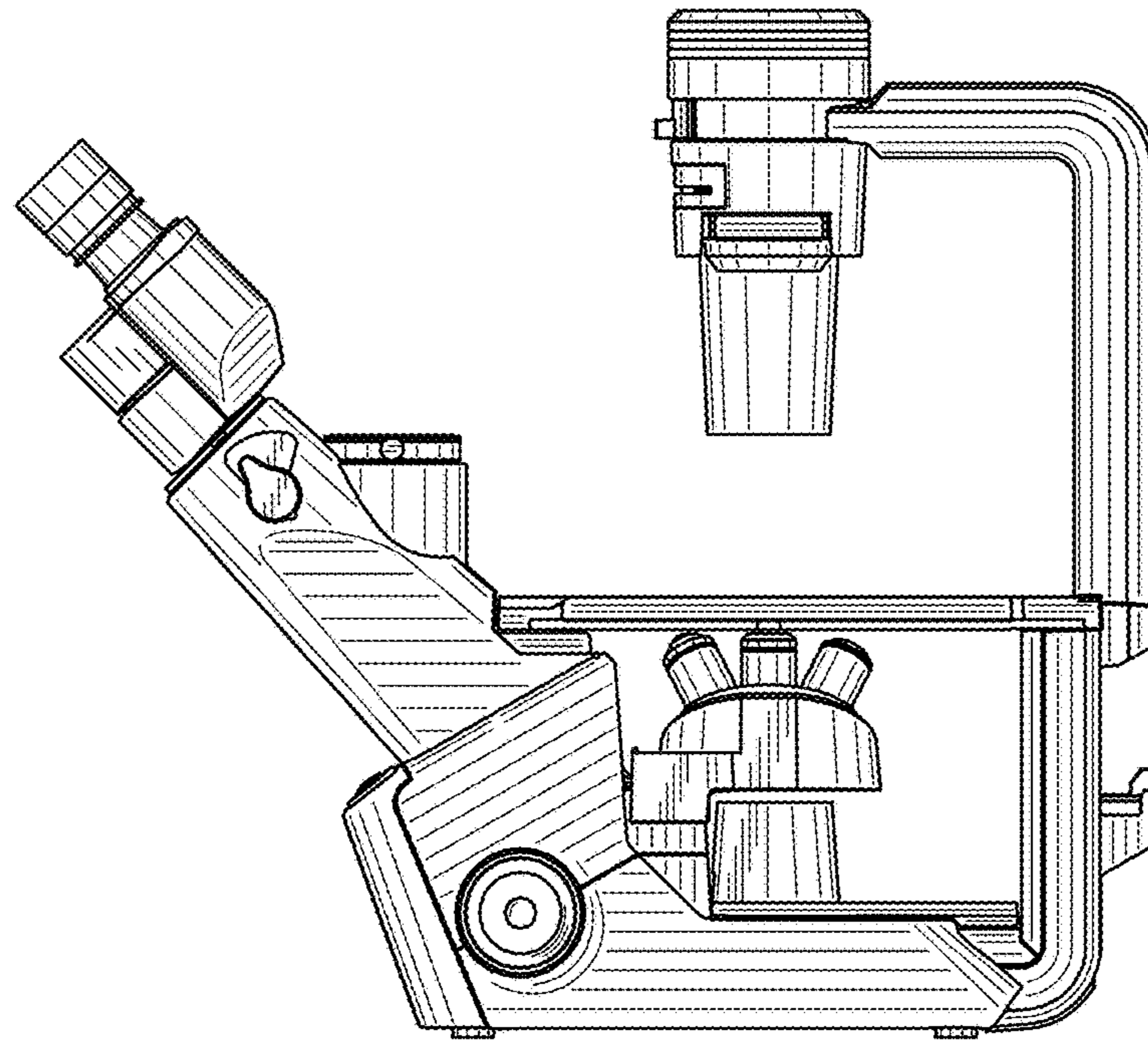


FIG. 6

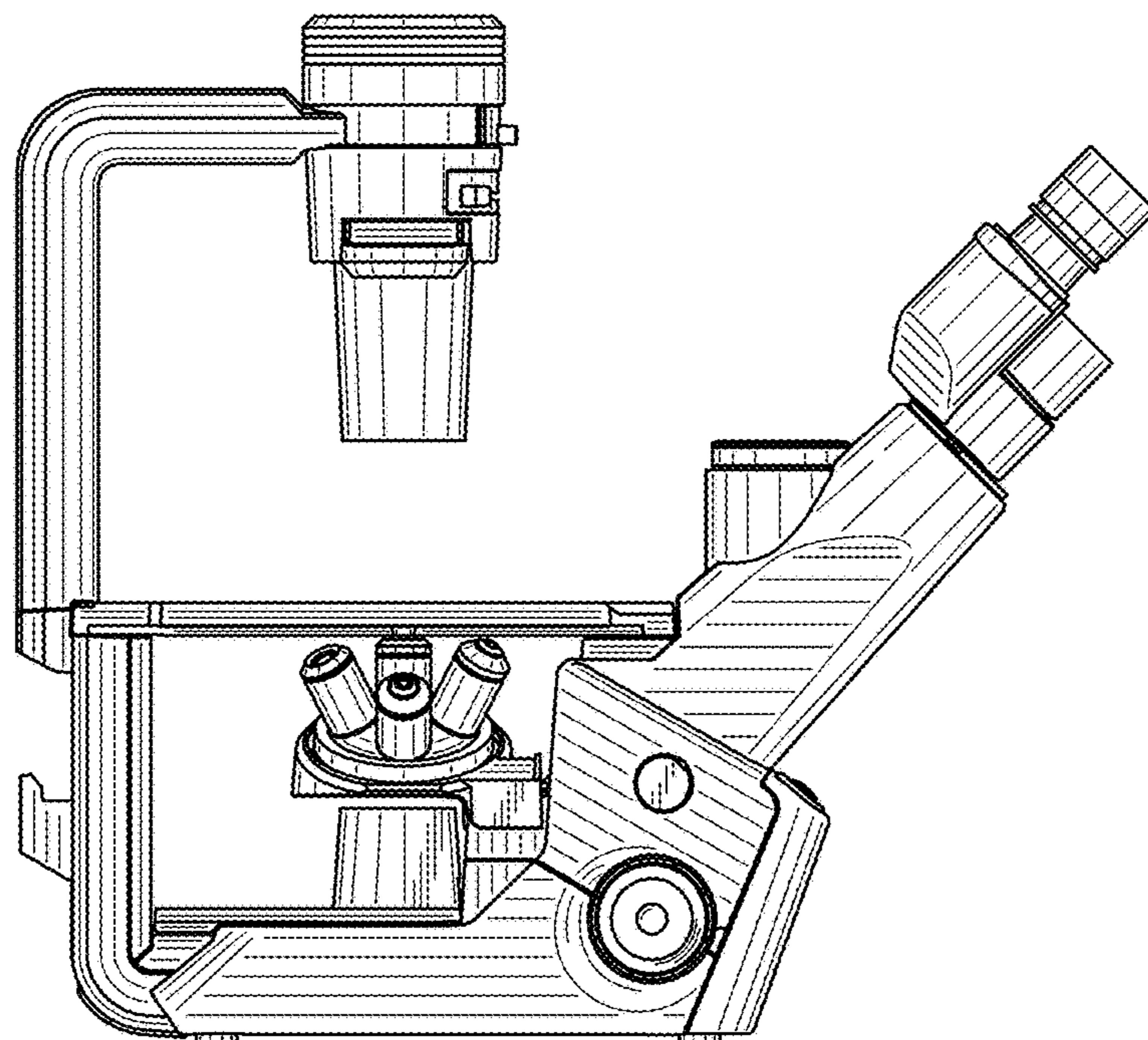


FIG. 7

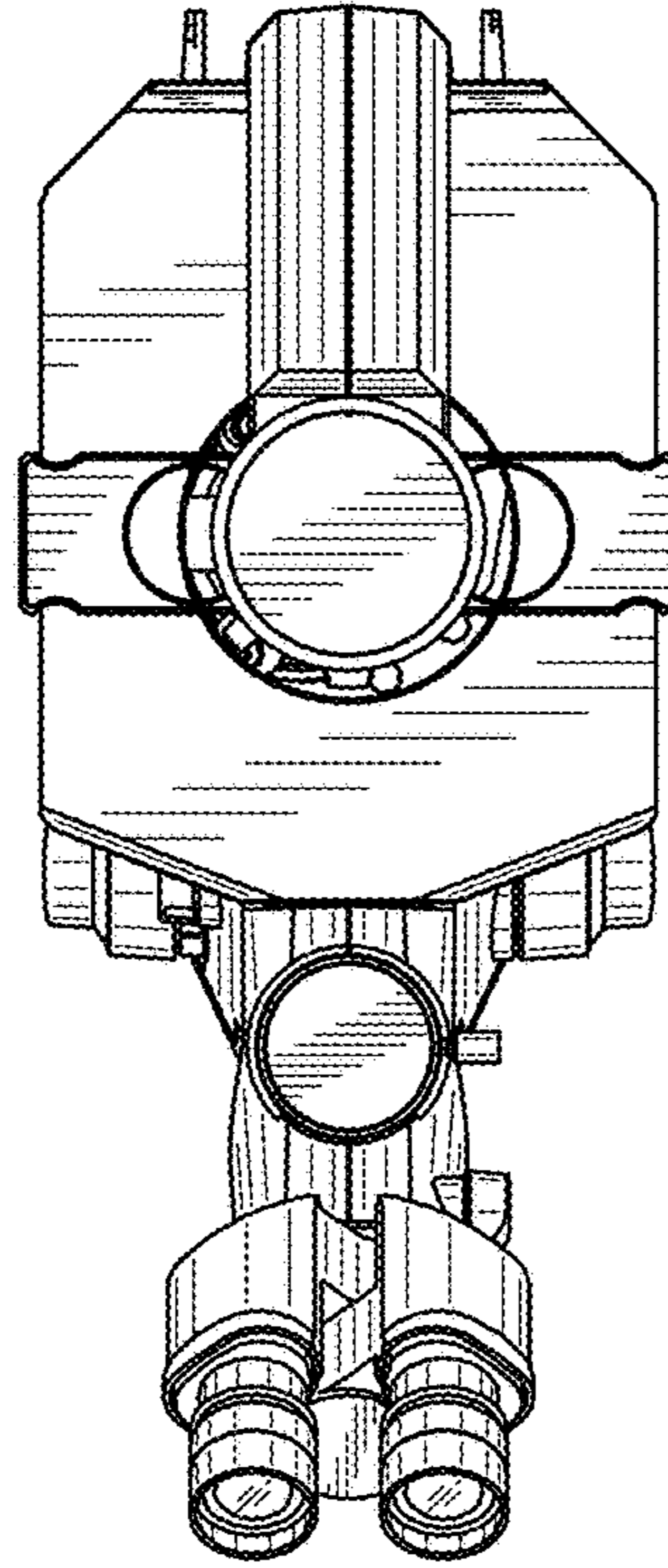


FIG. 8

