



US00D781945S

(12) **United States Design Patent**
Uno et al.

(10) **Patent No.:** **US D781,945 S**
(45) **Date of Patent:** **** Mar. 21, 2017**

- (54) **AUTONOMOUS MOBILE ROBOT**
- (71) Applicant: **Panasonic Intellectual Property Management Co., Ltd., Osaka (JP)**
- (72) Inventors: **Yukio Uno, Osaka (JP); Satoshi Tanigawa, Osaka (JP)**
- (73) Assignee: **Panasonic Intellectual Property Management Co., Ltd., Osaka (JP)**
- (**) Term: **15 Years**
- (21) Appl. No.: **29/558,644**
- (22) Filed: **Mar. 19, 2016**
- (30) **Foreign Application Priority Data**

Oct. 2, 2015 (JP) 2015-021699

- (51) **LOC (10) Cl.** **15-99**
- (52) **U.S. Cl.**
USPC **D15/199; D21/578**
- (58) **Field of Classification Search**
USPC D15/199; D21/578-583, 621, 622
CPC . B25J 9/044; B25J 9/102; B25J 9/0078; B25J 15/0033; B25J 15/0038; B25J 15/0253; B25J 18/00; B66C 1/42; G01N 35/0099; G01N 2035/0405; Y10S 901/31
See application file for complete search history.

(56) **References Cited**

U.S. PATENT DOCUMENTS

- D371,174 S * 6/1996 Tsai D21/578
- D549,756 S * 8/2007 Park D15/199
- D553,655 S * 10/2007 Jennings D15/199
- D563,443 S * 3/2008 Ahn D15/199
- D572,739 S * 7/2008 Jennings D15/199
- D579,035 S * 10/2008 Kim B25J 11/008
D15/199

- D622,747 S * 8/2010 Kobayashi D15/199
- D635,603 S * 4/2011 Paz Rodriguez D15/199
- D644,256 S * 8/2011 Kitano D15/199
- D663,333 S * 7/2012 Kitano D15/199
- D663,334 S * 7/2012 Kitano D15/199
- 8,401,275 B2* 3/2013 Wang B25J 5/007
382/153
- D685,438 S * 7/2013 Fan D15/199
- D701,256 S * 3/2014 Song D15/199
- D719,620 S * 12/2014 Clerc B25J 5/007
D15/199
- D719,621 S * 12/2014 Song D21/578
- 8,914,139 B2* 12/2014 Badavne A63H 3/28
180/7.1
- D725,166 S * 3/2015 Paik D15/199
- D725,167 S * 3/2015 Song D15/199
- D726,836 S * 4/2015 Song D15/199

(Continued)

FOREIGN PATENT DOCUMENTS

JP D1340581 9/2008

Primary Examiner — Patricia Palasik

(74) *Attorney, Agent, or Firm* — Panasonic IP Management; Kerry S. Culpepper

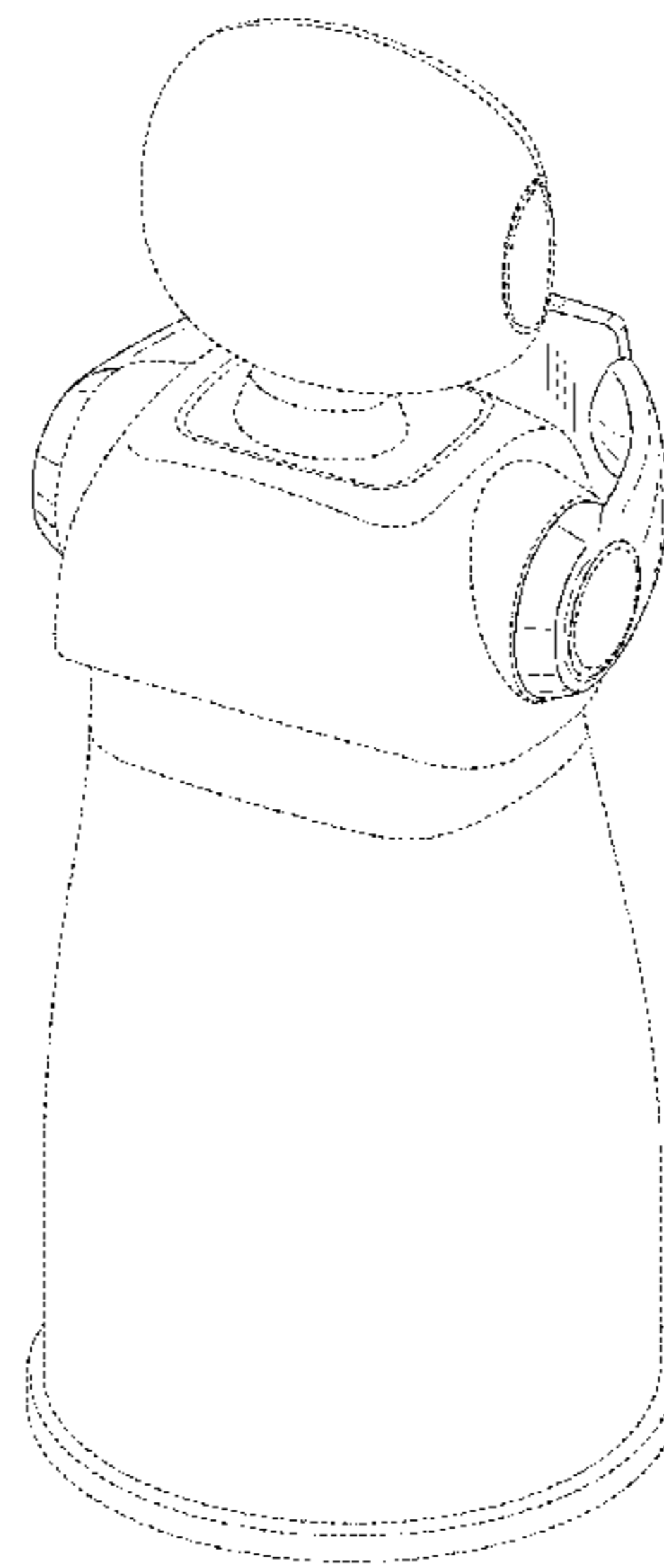
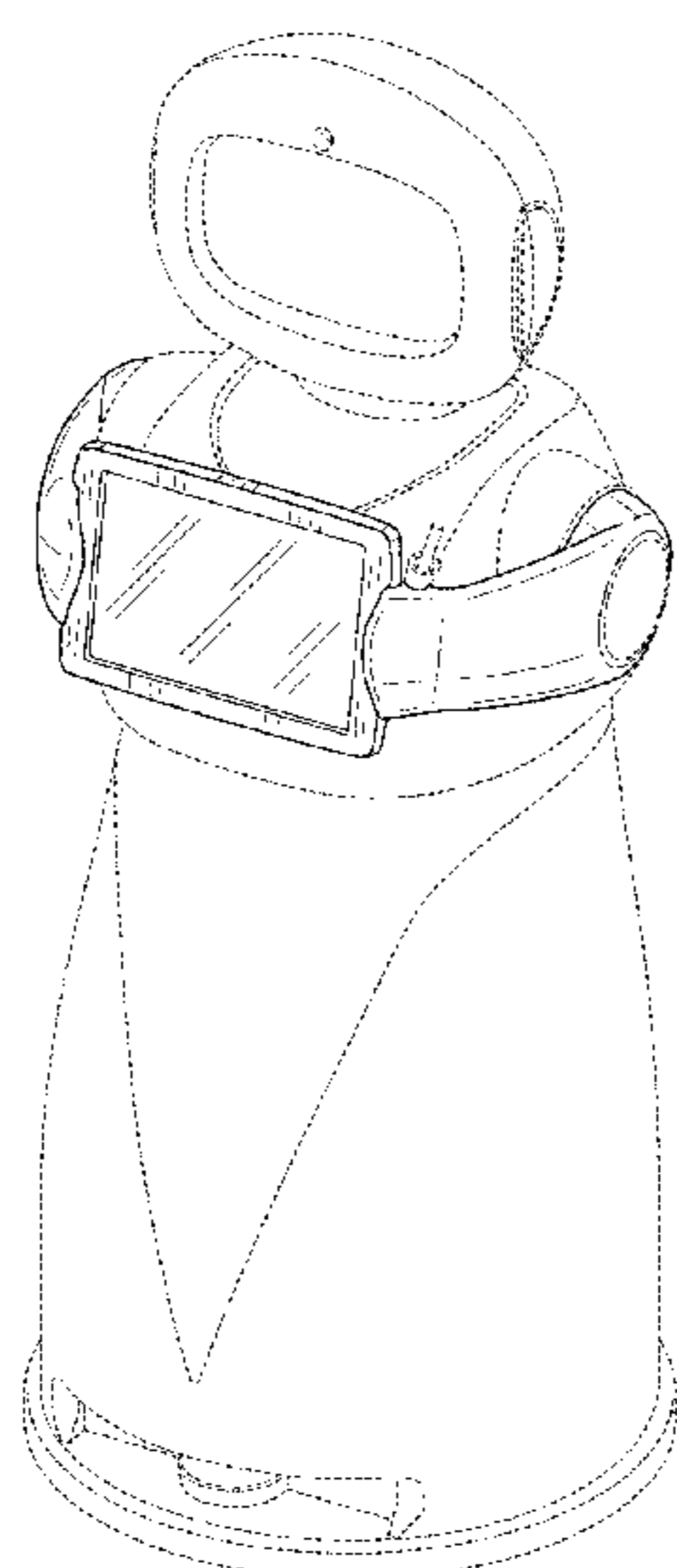
(57) **CLAIM**

We claim the ornamental design for an autonomous mobile robot, as shown and described.

DESCRIPTION

FIG. 1 is a front perspective view of an autonomous mobile robot of the present invention;
 FIG. 2 is a rear perspective view thereof;
 FIG. 3 is a front view thereof;
 FIG. 4 is a rear view thereof;
 FIG. 5 is a first side view thereof;
 FIG. 6 is a second side view thereof;
 FIG. 7 is a top view thereof; and,
 FIG. 8 is a bottom view thereof.

1 Claim, 8 Drawing Sheets



(56)

References Cited

U.S. PATENT DOCUMENTS

9,014,848	B2 *	4/2015	Farlow	B25J 11/009
					700/245
9,174,342	B2 *	11/2015	Pinter	G06Q 50/22
D748,088	S *	1/2016	Kidd	D14/307
9,283,966	B2 *	3/2016	Choi	B60T 8/172
9,346,175	B2 *	5/2016	Krumbacher	B25J 18/06
D761,894	S *	7/2016	Ho	D15/199
D765,180	S *	8/2016	Huang	D20/5
D766,644	S *	9/2016	Huang	D15/199

* cited by examiner

FIG. 1

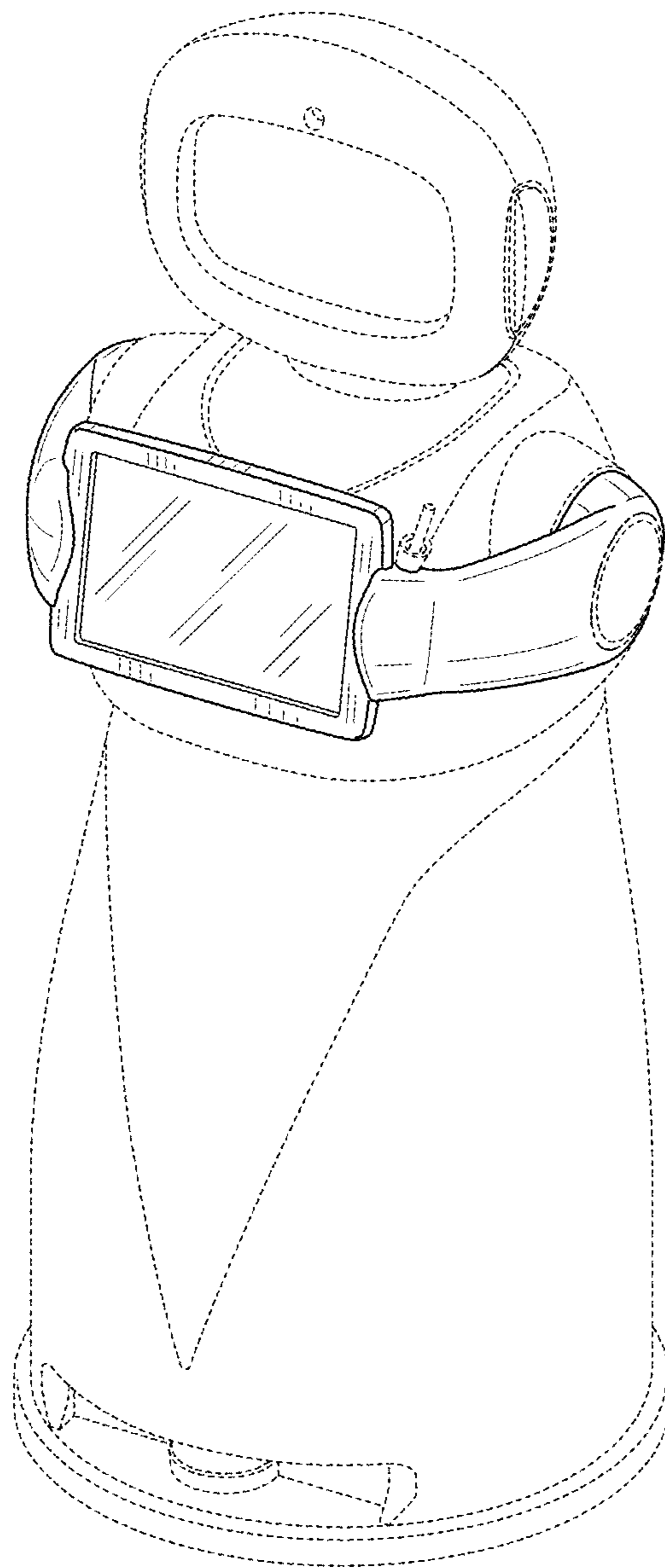


FIG. 2

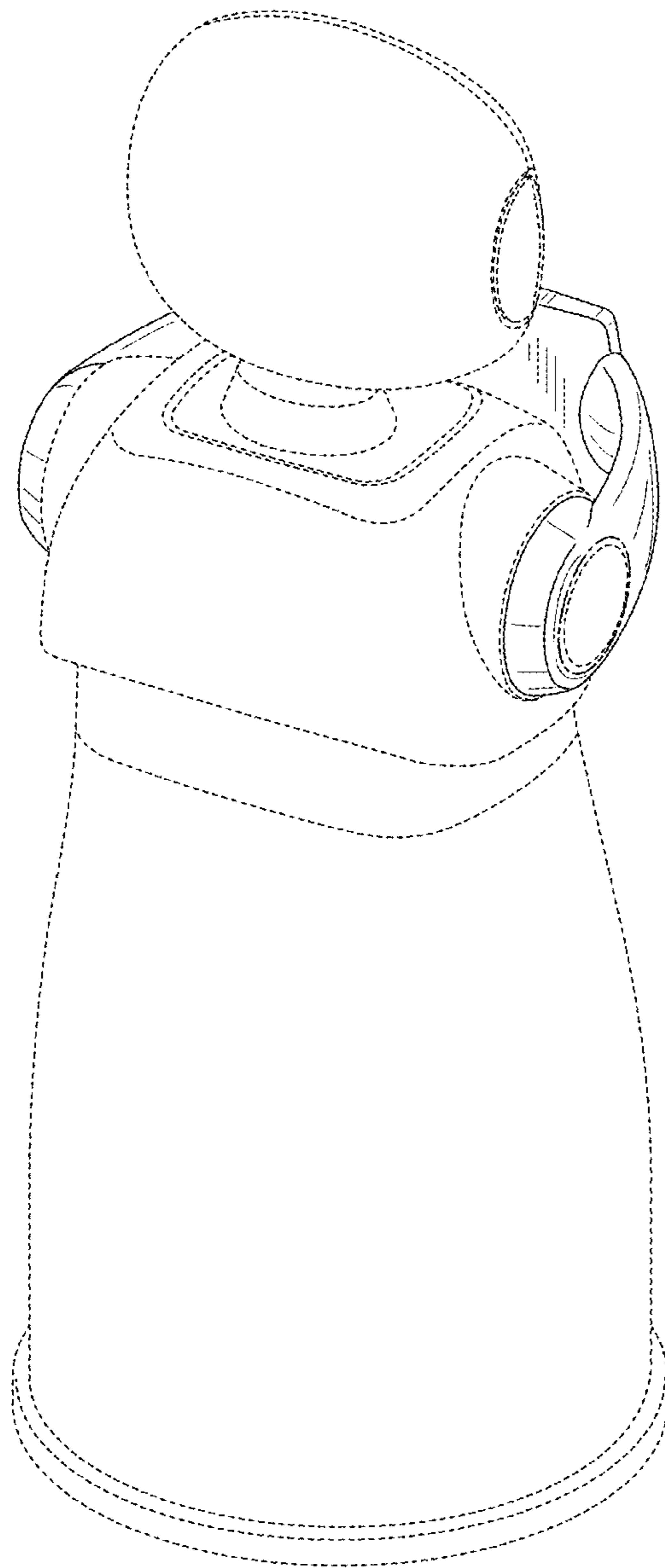


FIG. 3

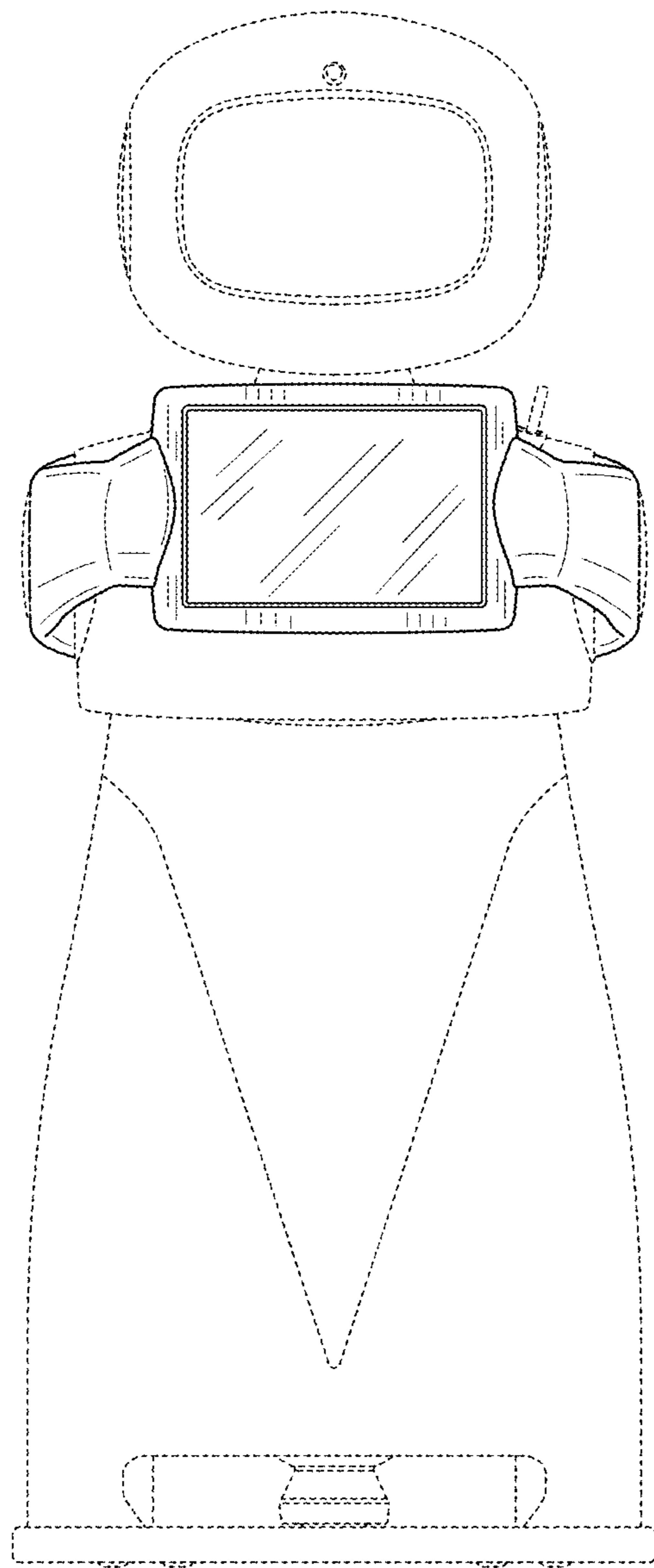


FIG. 4

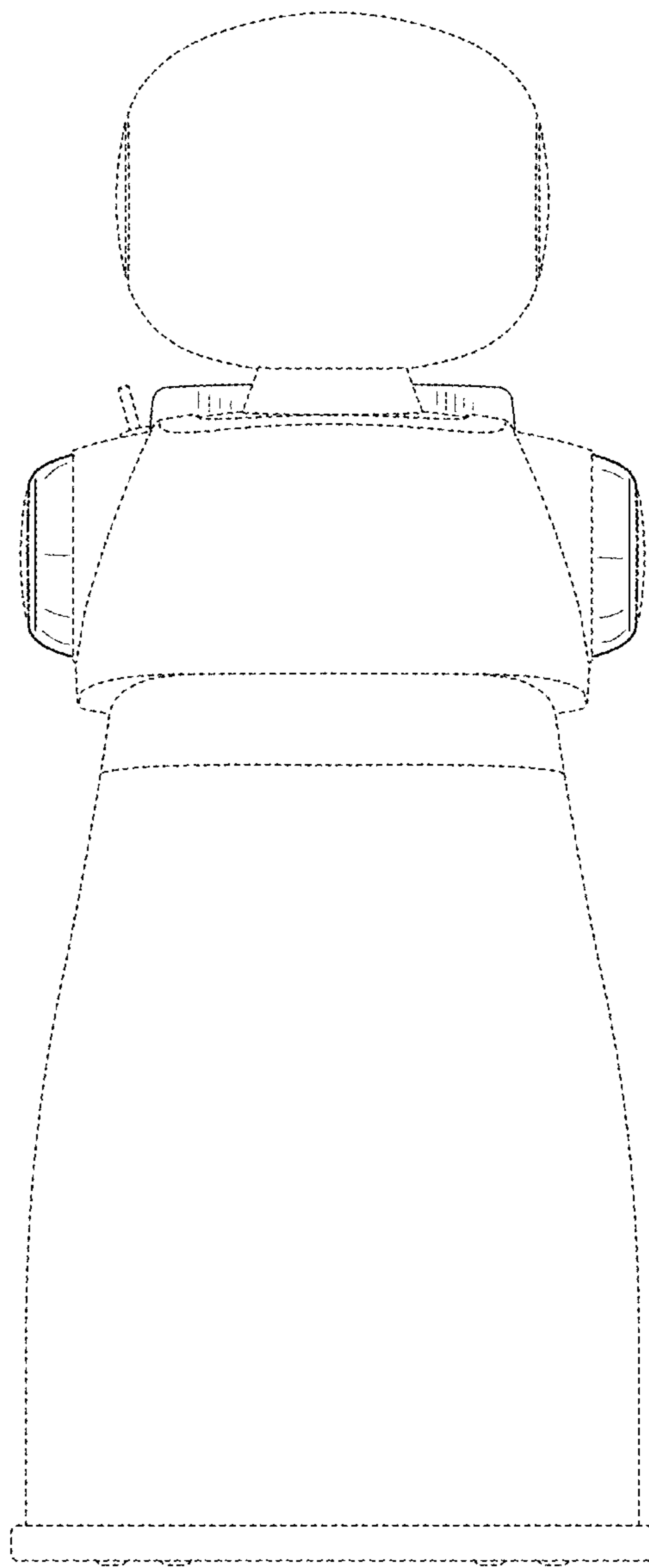


FIG. 5

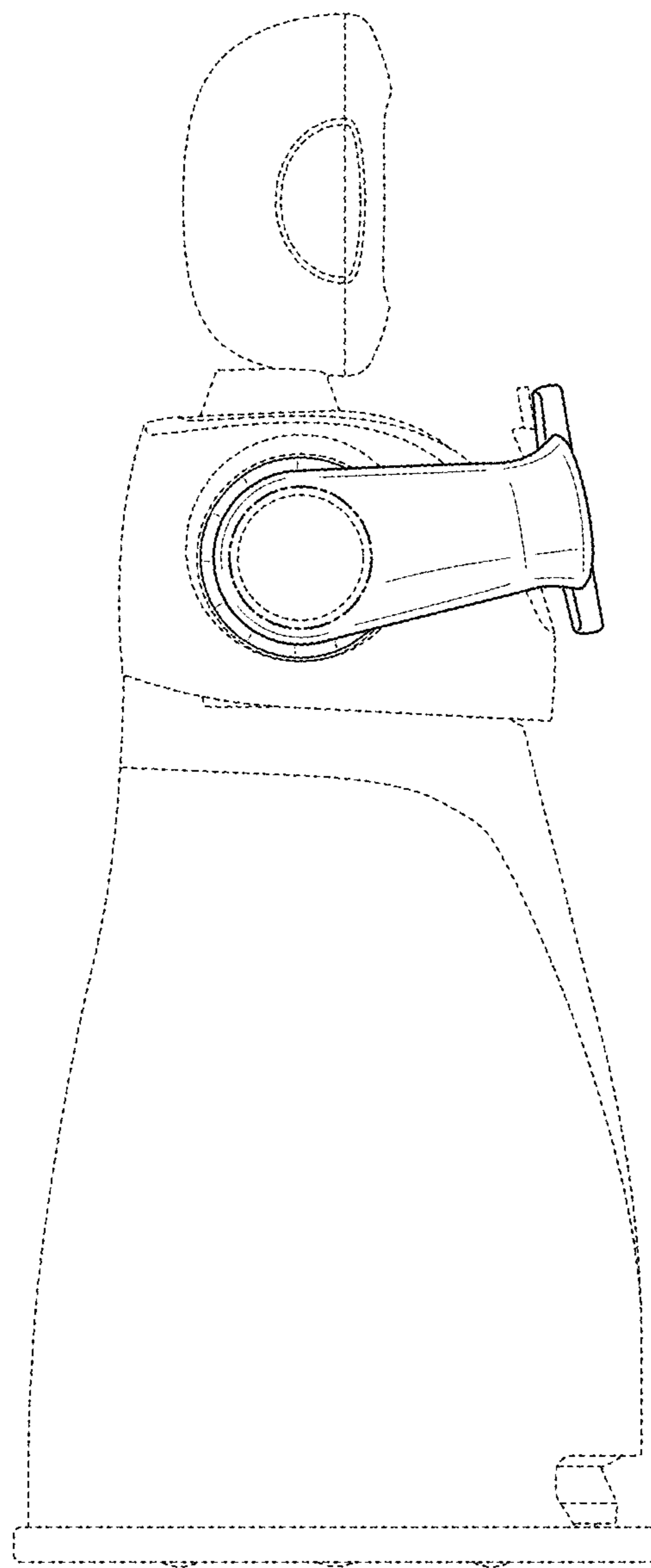


FIG. 6

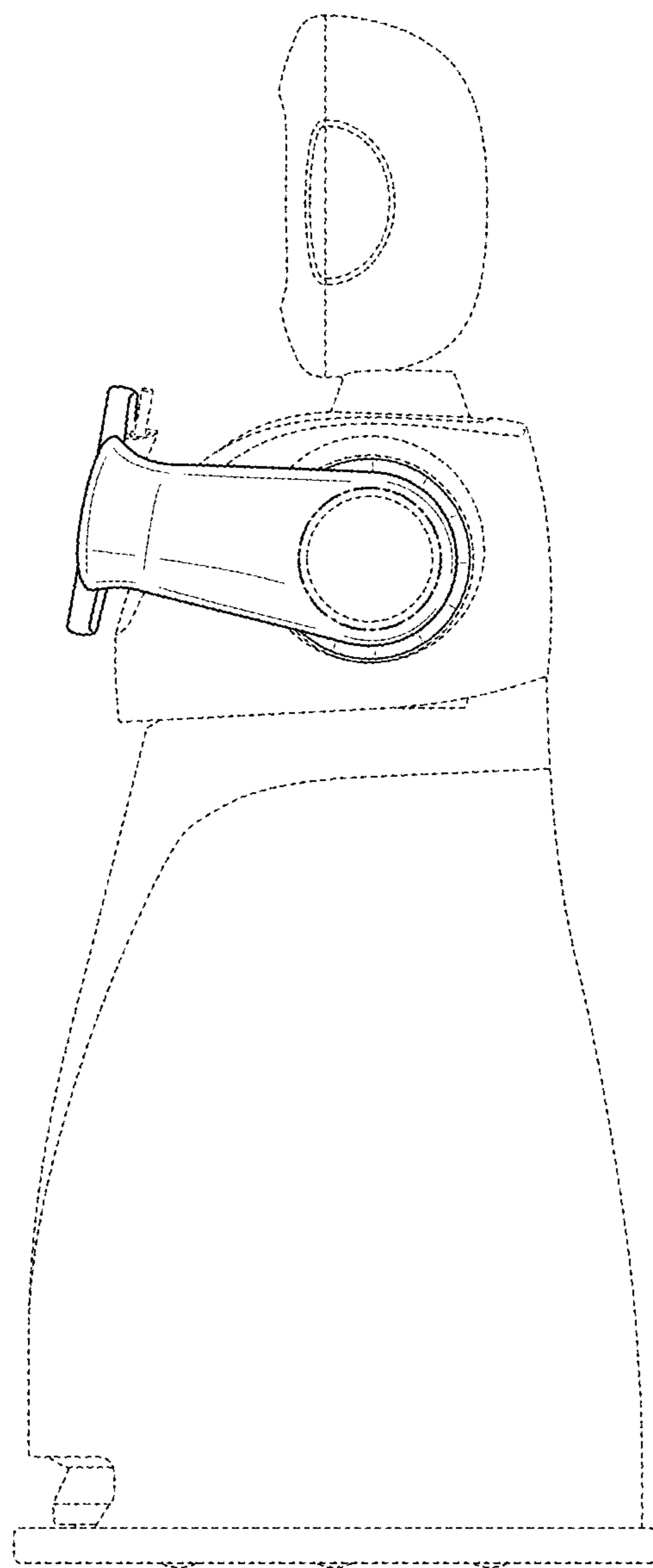


FIG. 7

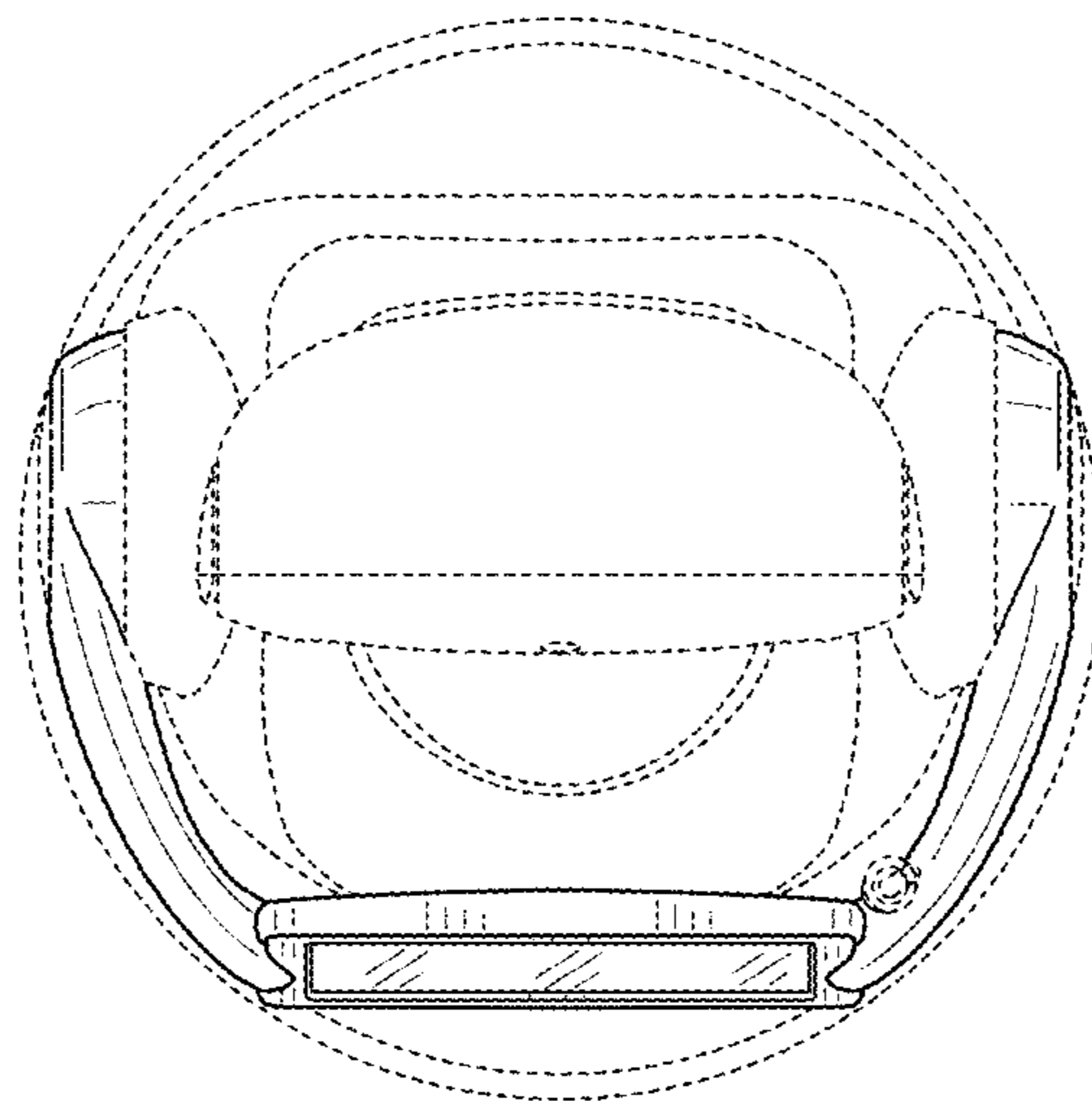


FIG. 8

