



US00D781944S

(12) **United States Design Patent**
Lee

(10) **Patent No.:** **US D781,944 S**
(45) **Date of Patent:** **** Mar. 21, 2017**

- (54) **WATCH WINDER**
- (71) Applicant: **Brookstone Purchasing, Inc.,**
Merrimack, NH (US)
- (72) Inventor: **Calvin Jinwon Lee,** Nashua, NH (US)
- (73) Assignee: **Brookstone Purchasing, Inc.,**
Merrimack, NH (US)
- (**) Term: **15 Years**
- (21) Appl. No.: **29/547,603**
- (22) Filed: **Dec. 4, 2015**
- (51) **LOC (10) Cl.** **15-09**
- (52) **U.S. Cl.**
USPC **D15/199**
- (58) **Field of Classification Search**
USPC D3/273–294, 298; D9/414, 418, 420,
D9/421, 423, 431–432; D15/199; 81/7.5;
206/387.13, 472; 366/14; 368/10,
368/206–209
See application file for complete search history.

(56) **References Cited**

U.S. PATENT DOCUMENTS

- 5,608,693 A * 3/1997 Richards B01F 11/0005
366/114
- D452,256 S * 12/2001 Wolf D15/199
- D474,216 S * 5/2003 Siu D15/199
- D511,537 S * 11/2005 Huang G04D 7/009
D15/199
- D513,024 S * 12/2005 Christianson G04D 7/009
D15/199
- D513,568 S * 1/2006 Au G04D 7/009
D3/294
- D520,540 S 5/2006 Siu
- D543,054 S 5/2007 Au

- D556,227 S * 11/2007 Au D15/199
- 7,530,733 B2 * 5/2009 Louie G04D 7/009
368/206
- 7,575,367 B2 * 8/2009 Wolf, V G04D 7/009
368/206
- D607,028 S * 12/2009 Subilia D15/199
- D658,696 S * 5/2012 Au D15/199
- 8,714,813 B2 * 5/2014 Liao G04D 7/009
320/108
- D707,118 S * 6/2014 Au D9/418
- D719,991 S 12/2014 Ko
- D722,633 S * 2/2015 Au D15/199
- 2005/0254352 A1 * 11/2005 Wolf, V G04D 7/009
368/206

* cited by examiner

Primary Examiner — Patricia Palasik

(74) *Attorney, Agent, or Firm* — Grossman Tucker
Perreault & Pflieger, PLLC

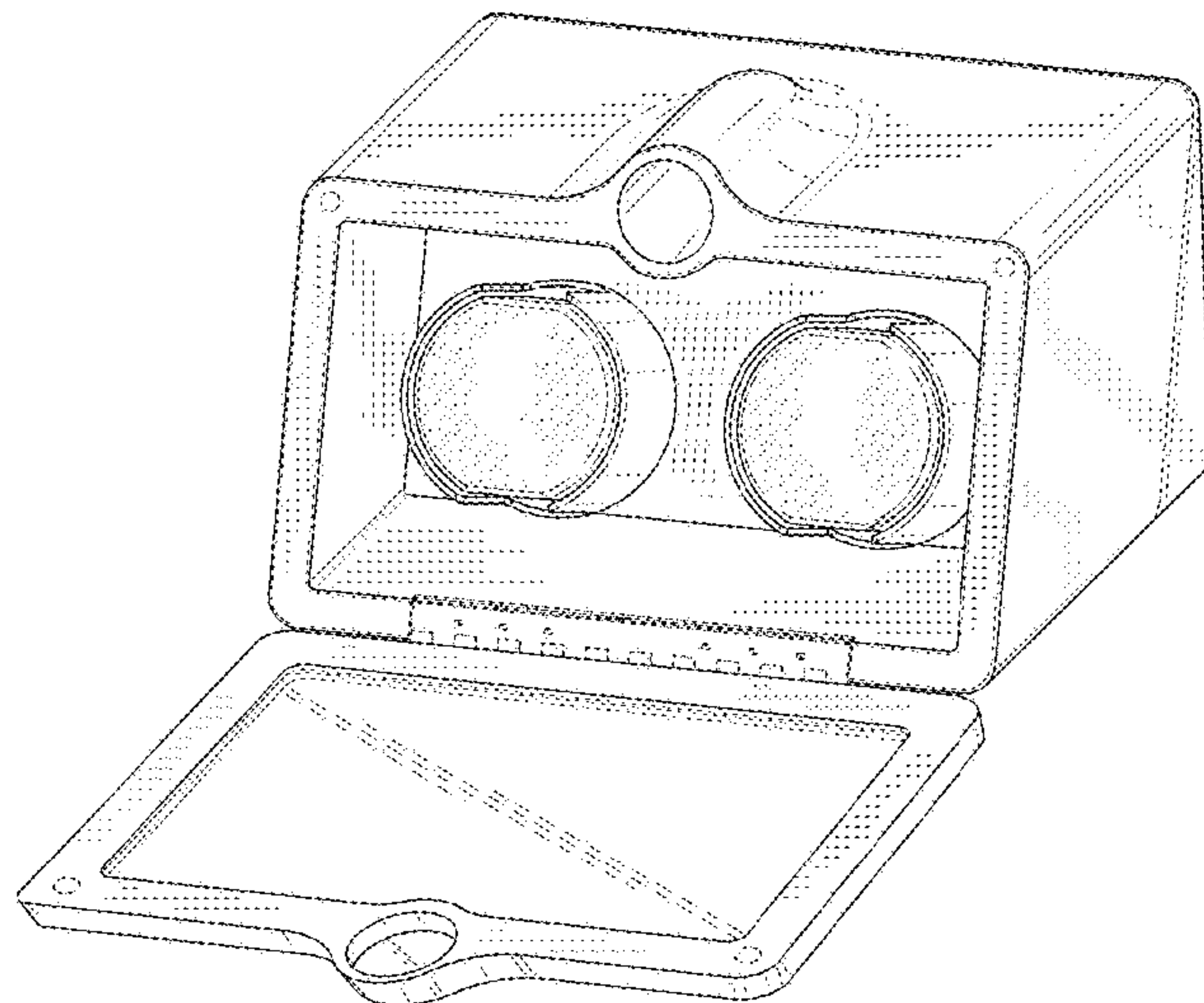
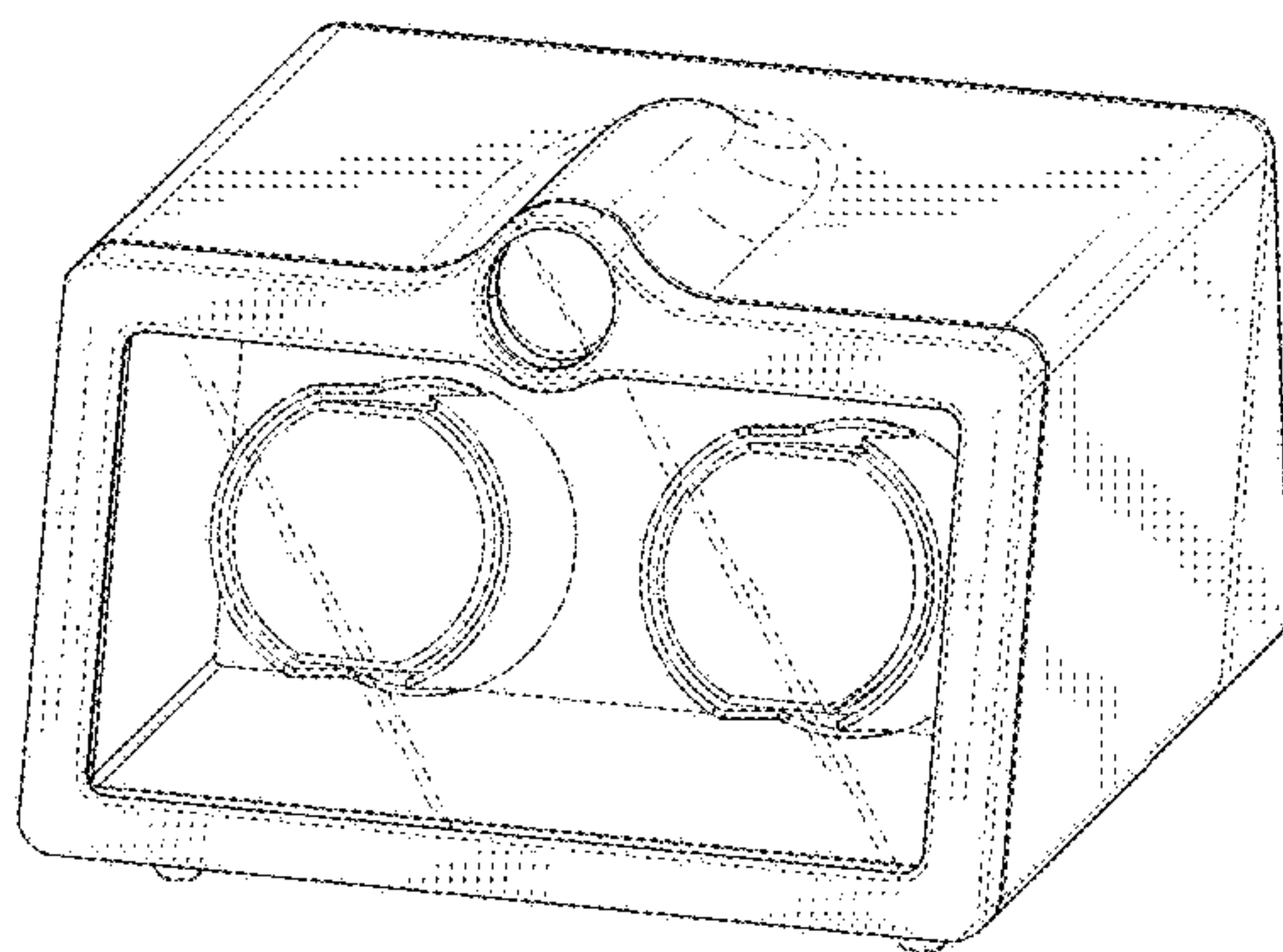
(57) **CLAIM**

The ornamental design of a watch winder, substantially as shown and described.

DESCRIPTION

FIG. 1 is a top perspective view of a watch winder in accordance with the present invention;
 FIG. 2 is a front view thereof;
 FIG. 3 is a rear view thereof;
 FIG. 4 is a left side view thereof;
 FIG. 5 is a right side view thereof;
 FIG. 6 is a top plan view thereof;
 FIG. 7 is a bottom plan view thereof; and,
 FIG. 8 is a top perspective view of the watch winder with the door in an open position.
 The broken lines in the drawings depict unclaimed environmental subject matter.

1 Claim, 8 Drawing Sheets



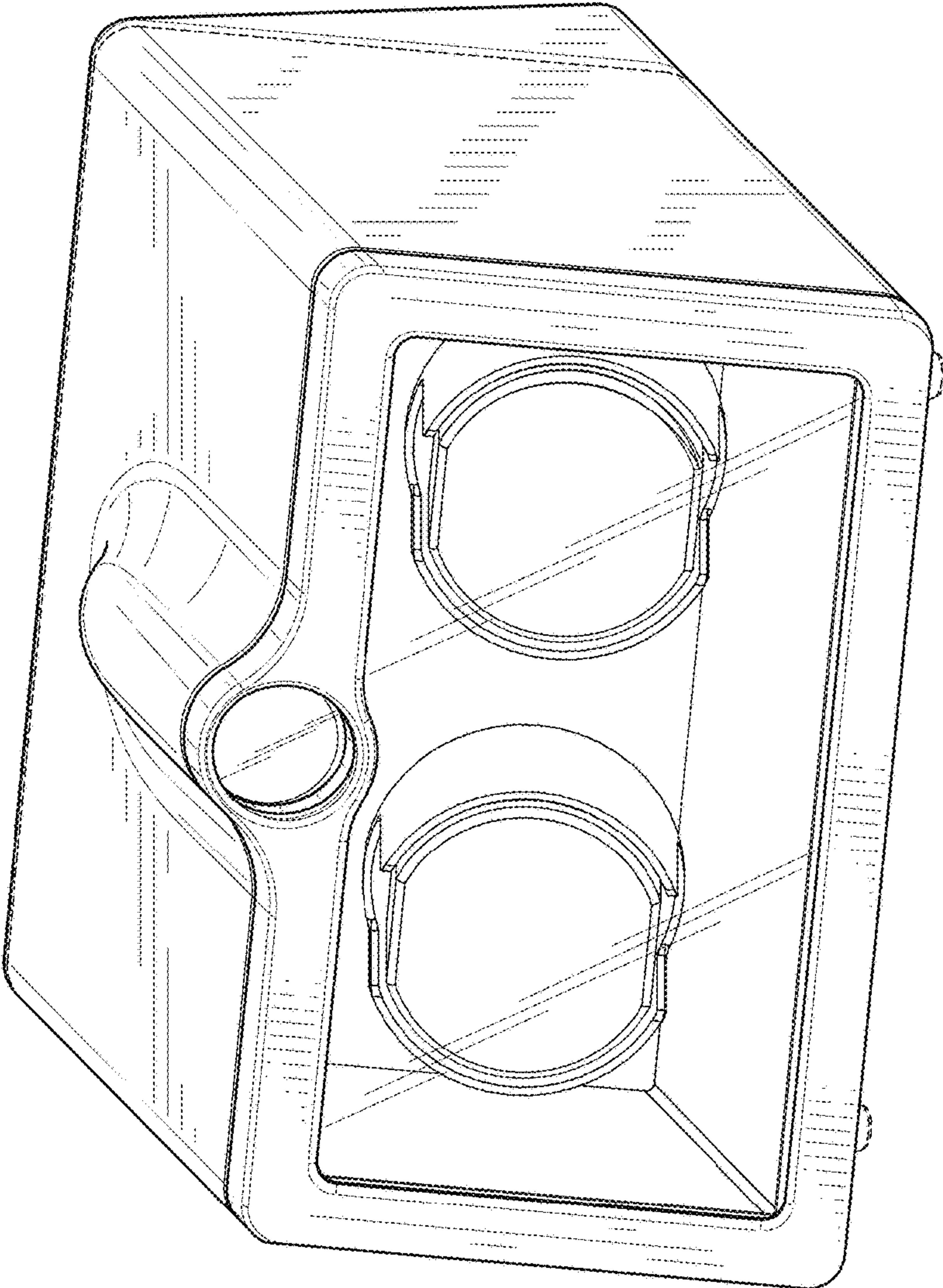


FIG. 1

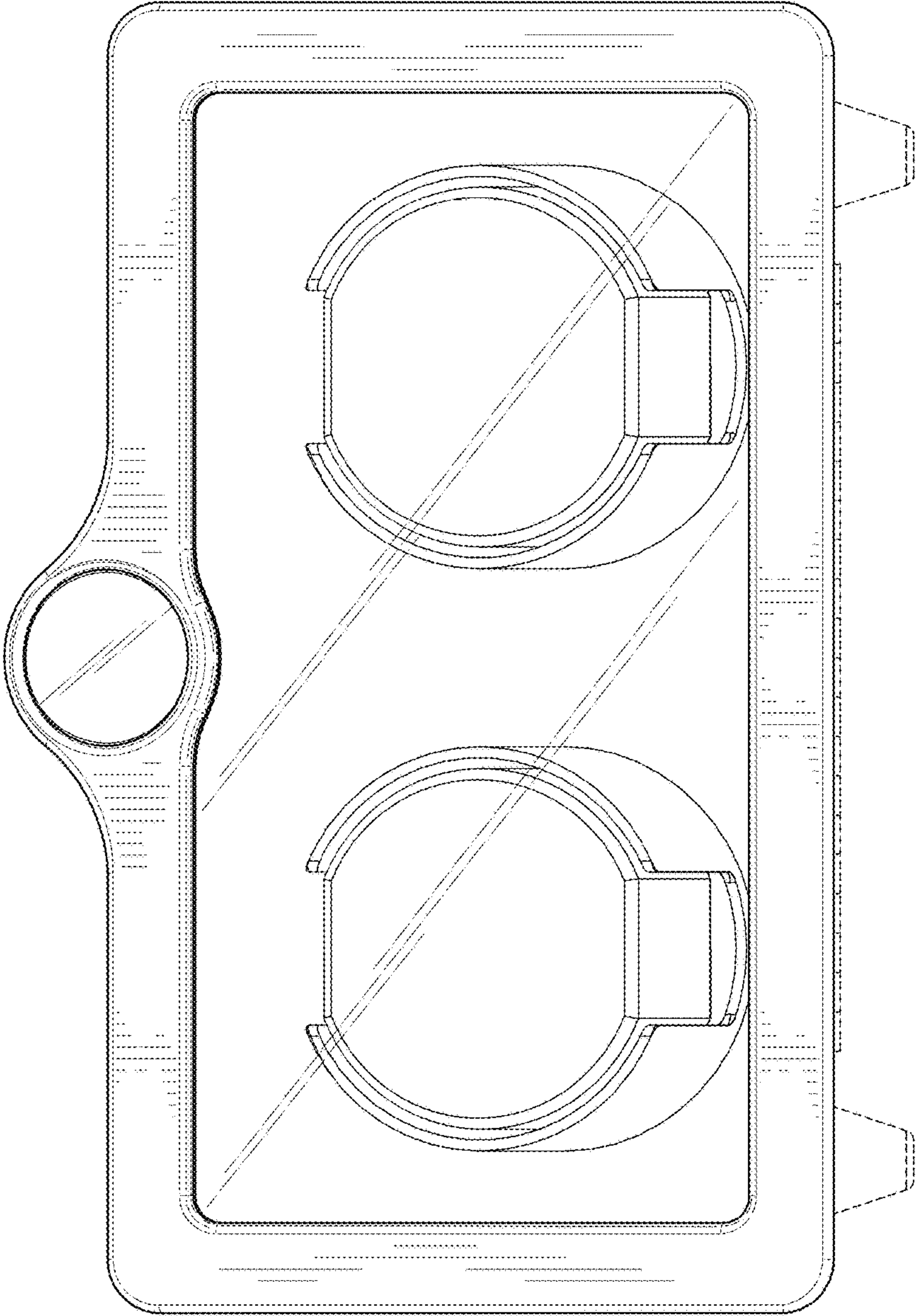


FIG. 2

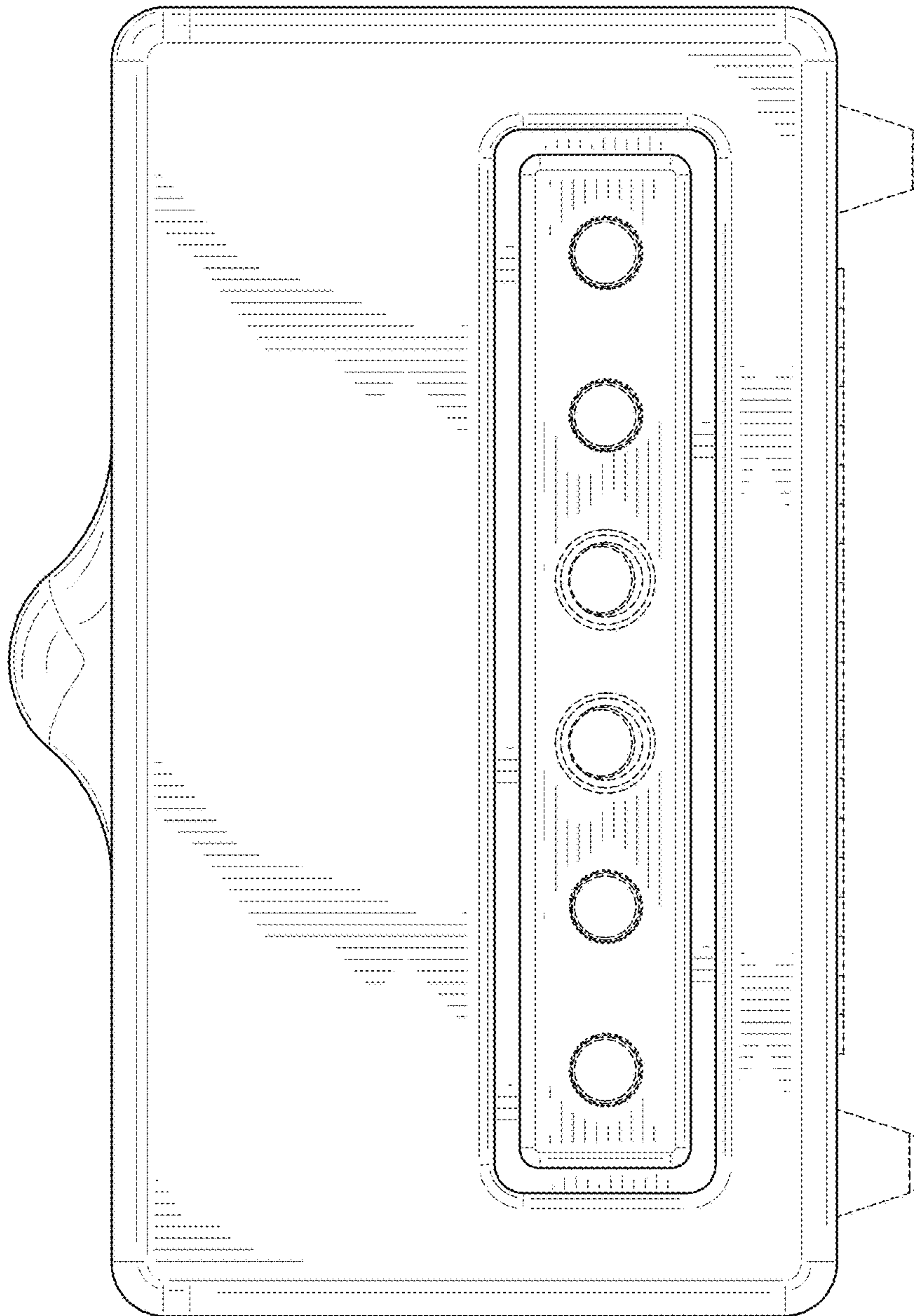


FIG. 3

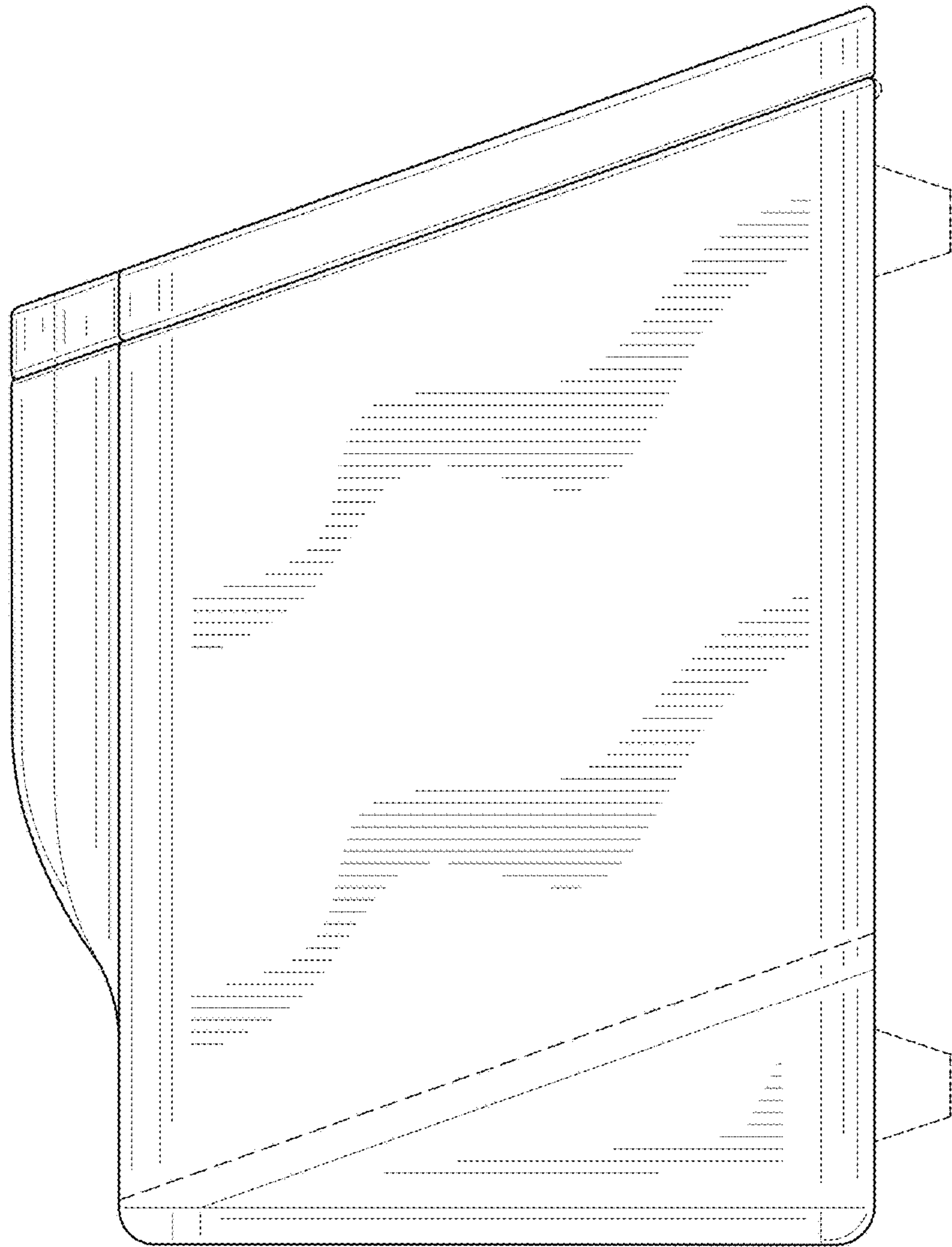


FIG. 4

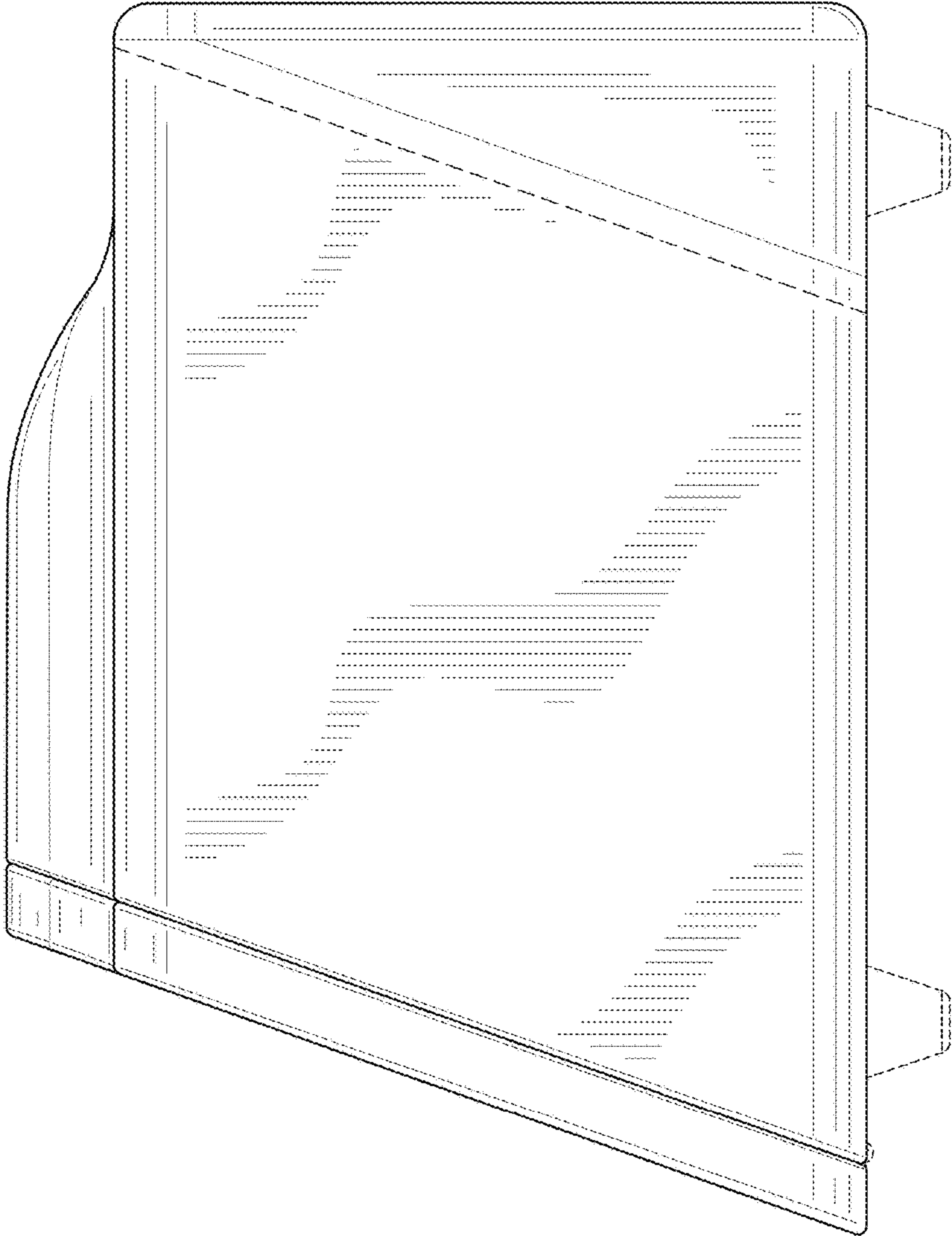


FIG. 5

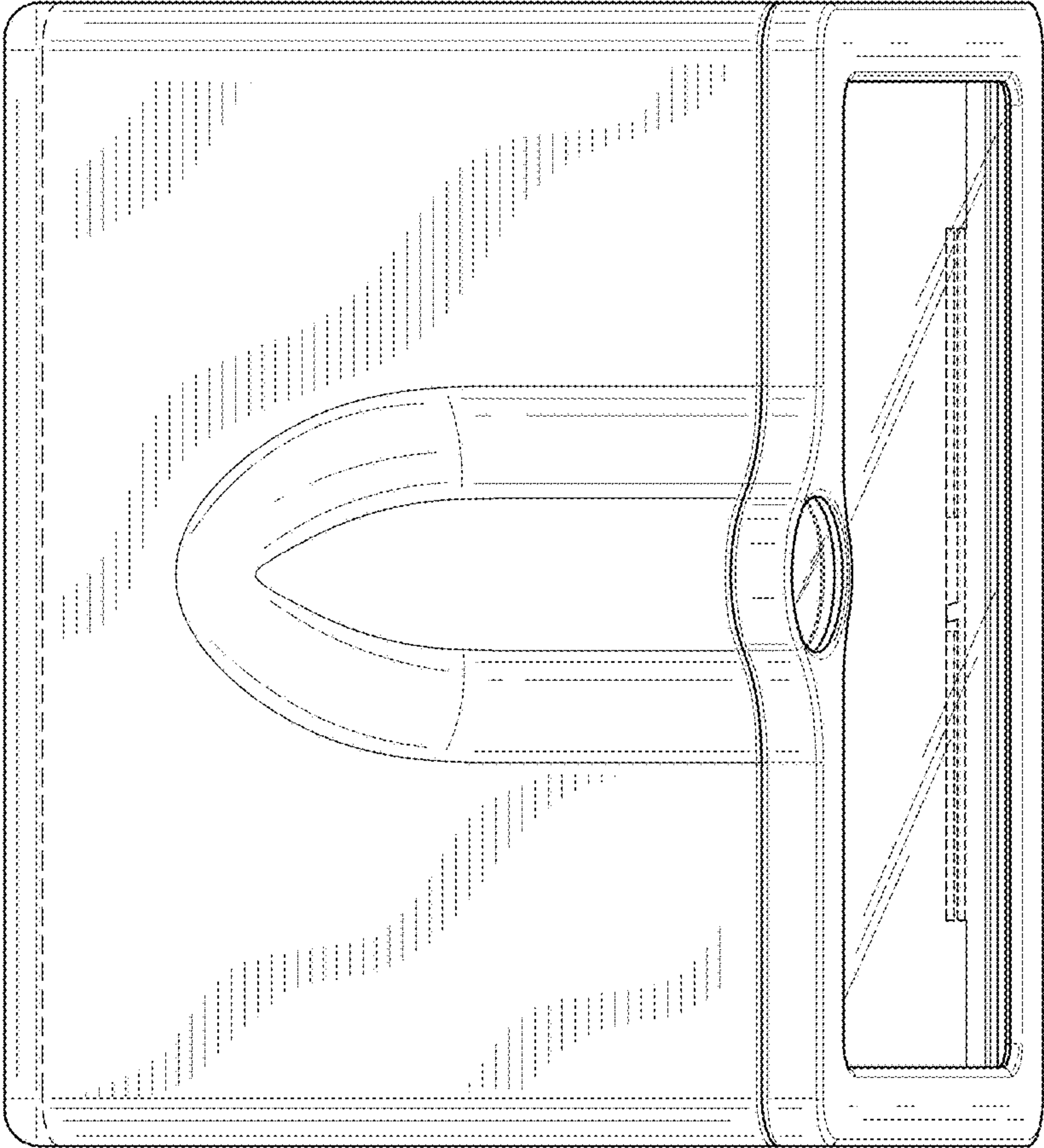


FIG. 6

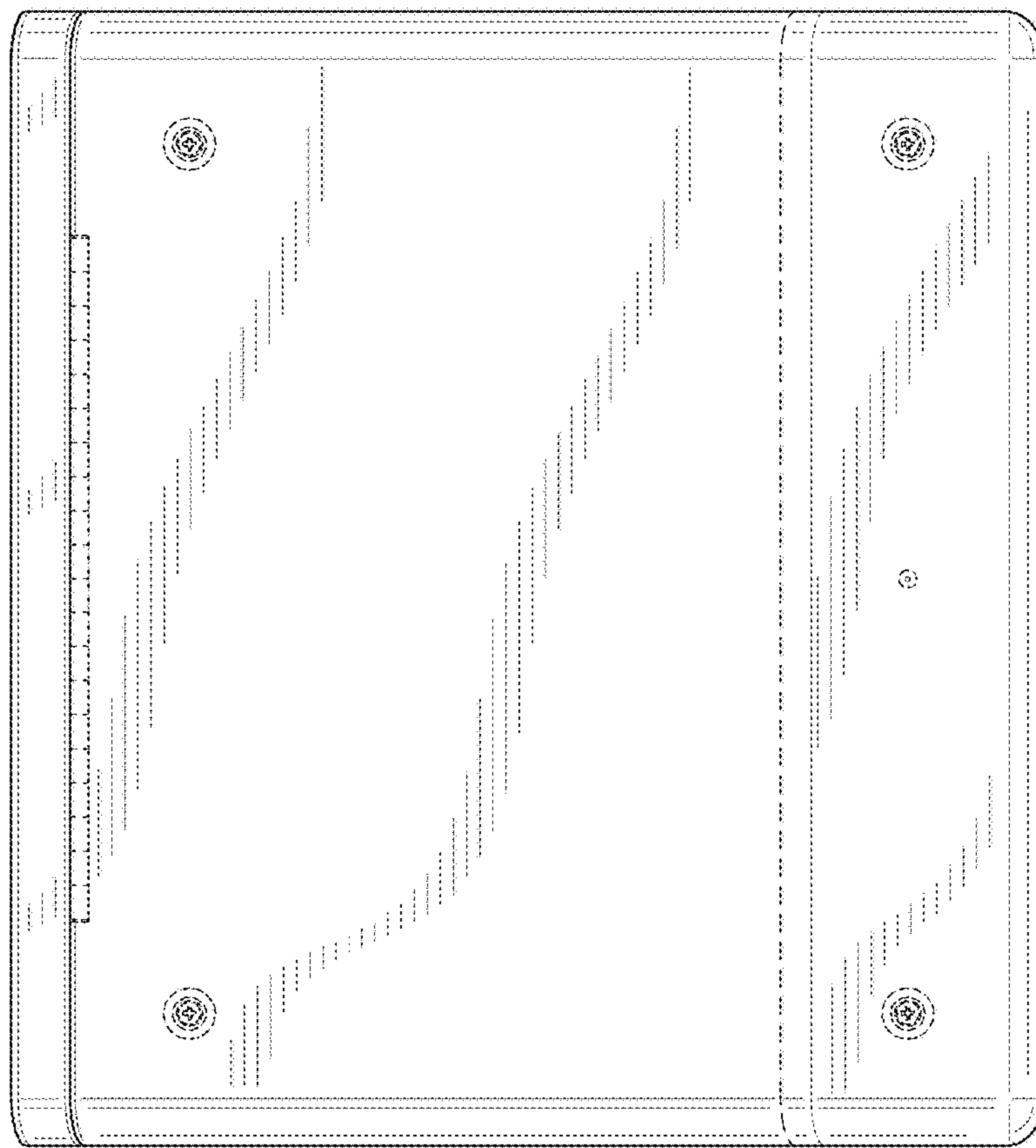


FIG. 7

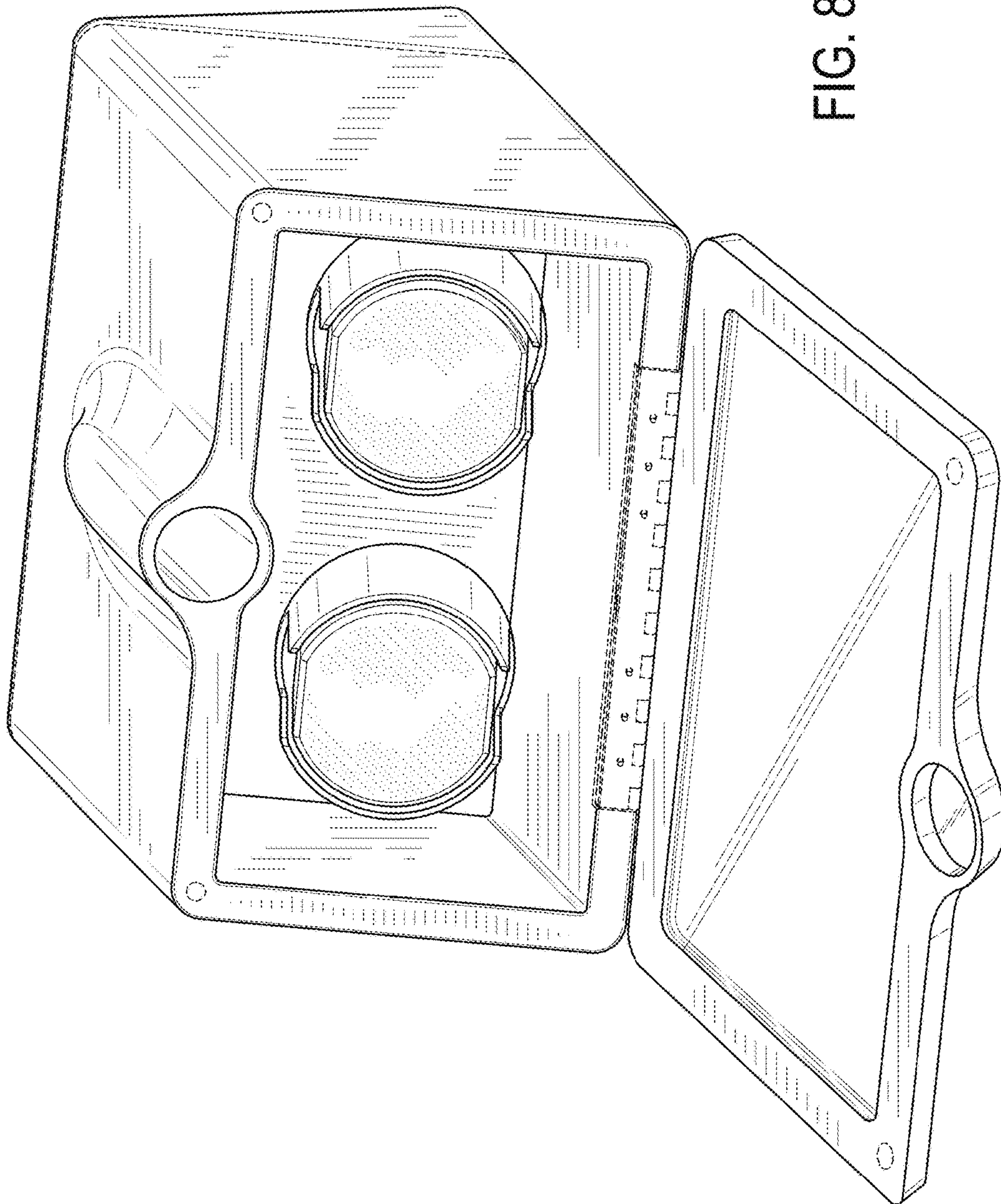


FIG. 8