



US00D781941S

(12) **United States Design Patent** (10) **Patent No.:** **US D781,941 S**  
**Nakamura et al.** (45) **Date of Patent:** **\*\* Mar. 21, 2017**

(54) **GEAR CUTTING TOOL**

OTHER PUBLICATIONS

(71) Applicant: **MITSUBISHI HEAVY INDUSTRIES MACHINE TOOL CO., LTD.**,  
Ritto-shi, Shiga (JP)

Mitsubishi Heavy Industries, Ltd., "Press Release about Gear Cutting Tool," available at <http://www.mhi-global.com/news/story/1410201843.html>, Oct. 20, 2014, 2 pages.\*

(72) Inventors: **Yozo Nakamura**, Tokyo (JP);  
**Toshimasa Kikuchi**, Tokyo (JP)

*Primary Examiner* — Patricia Palasik  
(74) *Attorney, Agent, or Firm* — Birch, Stewart, Kolasch & Birch, LLP

(73) Assignee: **MITSUBISHI HEAVY INDUSTRIES MACHINE TOOL CO., LTD.**, Shiga (JP)

(57) **CLAIM**

The ornamental design for a gear cutting tool, as shown and described.

(\*\*) Term: **15 Years**

**DESCRIPTION**

(21) Appl. No.: **29/530,334**

(22) Filed: **Jun. 16, 2015**

(30) **Foreign Application Priority Data**

Apr. 20, 2015 (JP) ..... 2015-008824

(51) **LOC (10) Cl.** ..... **15-09**

(52) **U.S. Cl.**  
USPC ..... **D15/139**

(58) **Field of Classification Search**  
USPC ..... D15/131, 138, 139, 140  
See application file for complete search history.

(56) **References Cited**

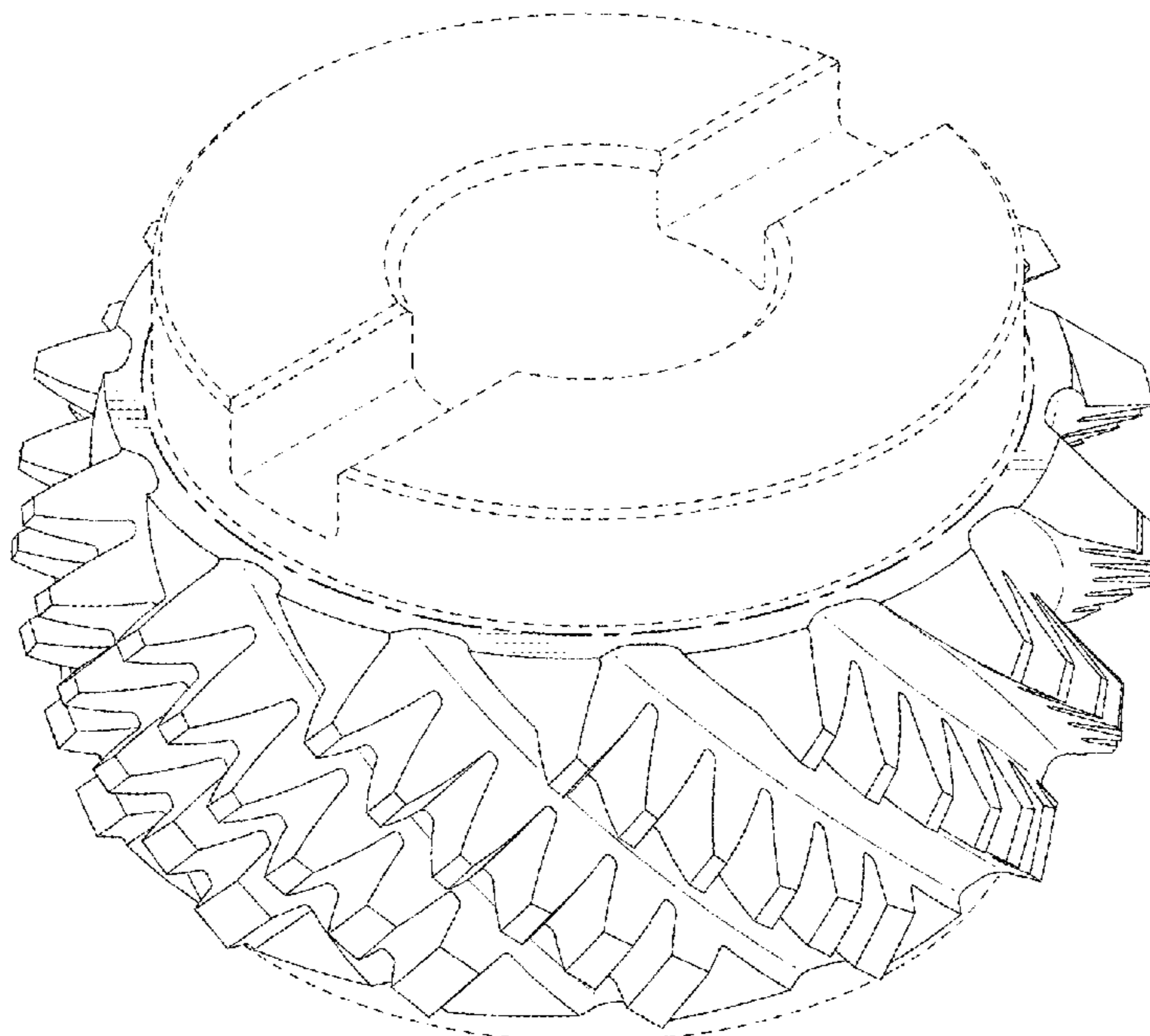
U.S. PATENT DOCUMENTS

1,996,987 A \* 4/1935 Wildhaber ..... B23F 21/16  
407/26  
2,126,178 A \* 8/1938 Drummond ..... B23F 21/28  
407/27

FIG. 1 is a perspective view of a gear cutting tool.  
FIG. 2 is a front elevation view thereof. A rear elevation view is identical to the front elevation view.  
FIG. 3 is a left side elevation view thereof. A right side elevation view is identical to the left side elevation view.  
FIG. 4 is a top plan view thereof.  
FIG. 5 is a bottom plan view thereof.  
FIG. 6 is a referential top plan view thereof indicating an enlarged part.  
FIG. 7 is a referential bottom plan view thereof indicating an enlarged part.  
FIG. 8 is an enlarged view of the portion 8' taken along the line 8-8 in FIG. 2.  
FIG. 9 is an enlarged view of the portion 9 in FIG. 6; and, FIG. 10 is an enlarged view of the portion 10 in FIG. 7.  
The broken lines shown in the drawings illustrate portions of the gear cutting tool that form no part of the claimed design. The dot-dash lines show an unclaimed boundary which forms no part of the claimed design. The inside portions of the dot-dash lines form no part of the claimed design.

(Continued)

**1 Claim, 10 Drawing Sheets**



(56)

References Cited

U.S. PATENT DOCUMENTS

2,380,208 A \* 7/1945 Ashton ..... B23F 19/06  
409/33  
D359,968 S \* 7/1995 Ekblad ..... D15/139  
D372,253 S \* 7/1996 Huffstutler ..... D15/139  
D400,547 S \* 11/1998 Albrektsson ..... D15/139  
D404,044 S \* 1/1999 Arfele ..... D15/139  
D519,533 S \* 4/2006 Frey ..... D15/139  
D522,544 S \* 6/2006 Frey ..... D15/139  
D525,995 S \* 8/2006 Bjork ..... D15/139  
D535,400 S \* 1/2007 May ..... D15/139  
D574,957 S \* 8/2008 Petersen ..... D15/139  
D606,569 S \* 12/2009 Ford ..... D15/139  
D630,233 S \* 1/2011 Ford ..... D15/123  
D649,989 S \* 12/2011 Dunlap ..... D15/139  
D758,463 S \* 6/2016 Kikuchi ..... D15/139  
2002/0081161 A1 \* 6/2002 Yamada ..... B23F 21/16  
407/20  
2006/0134466 A1 \* 6/2006 Aoki ..... B23F 21/16  
428/698  
2013/0091970 A1 \* 4/2013 O-oka ..... F16H 55/08  
74/458  
2014/0100574 A1 \* 4/2014 Bono ..... A61B 17/32002  
606/80  
2014/0140781 A1 \* 5/2014 Sjoo ..... B23F 21/146  
408/8  
2015/0147127 A1 \* 5/2015 Shpigelman ..... B23C 5/10  
407/54

\* cited by examiner

FIG. 1

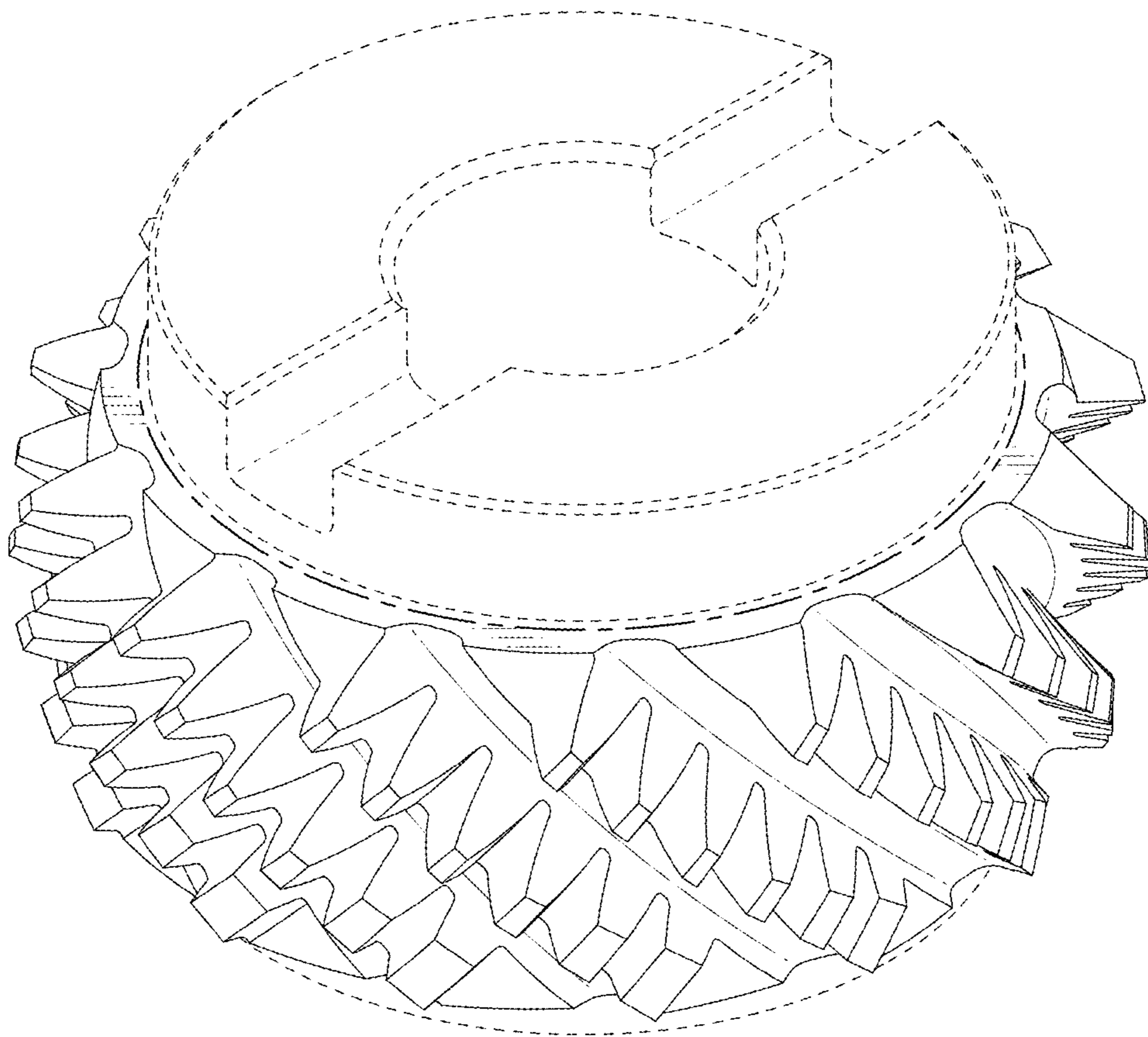


FIG. 2

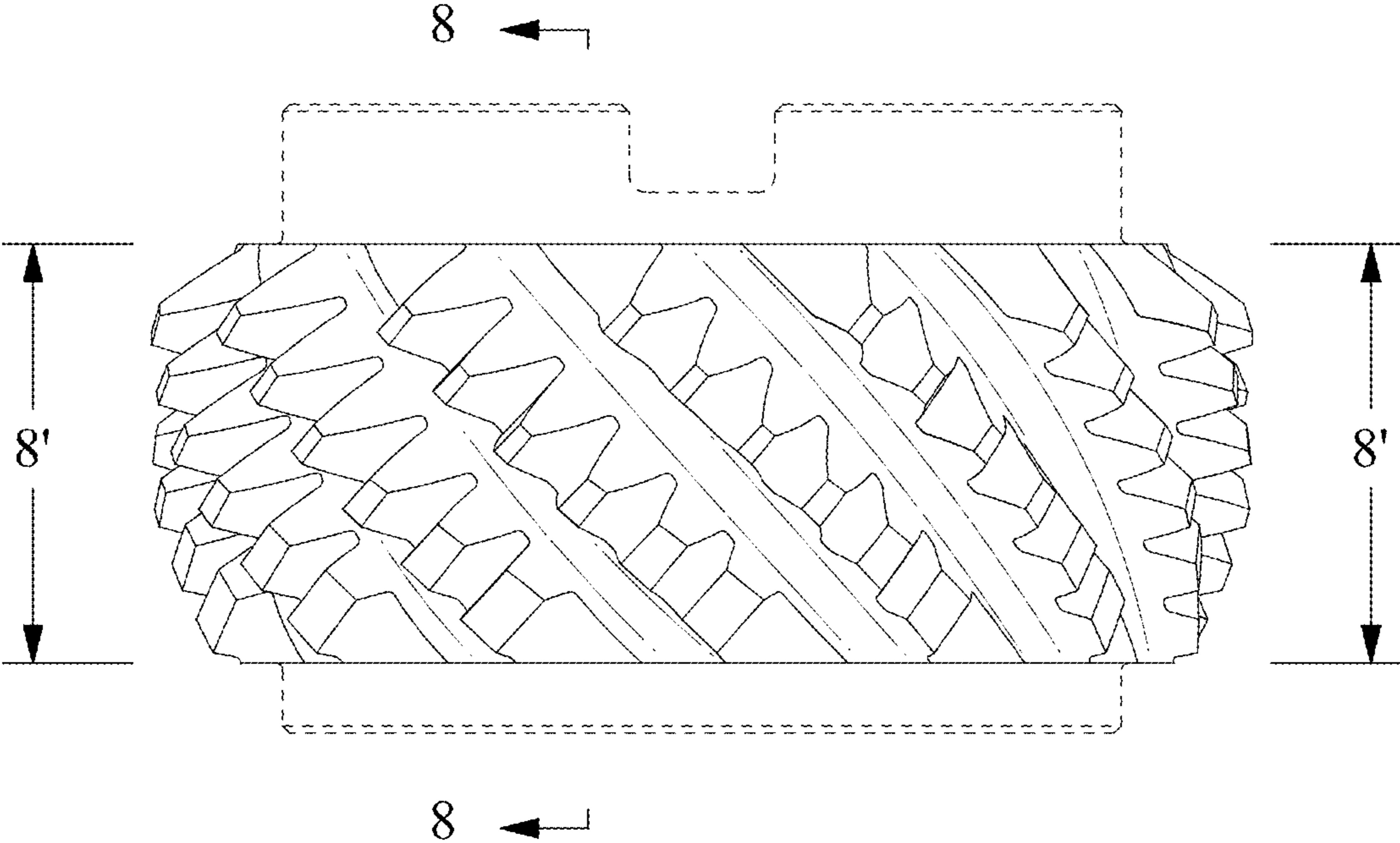




FIG. 3

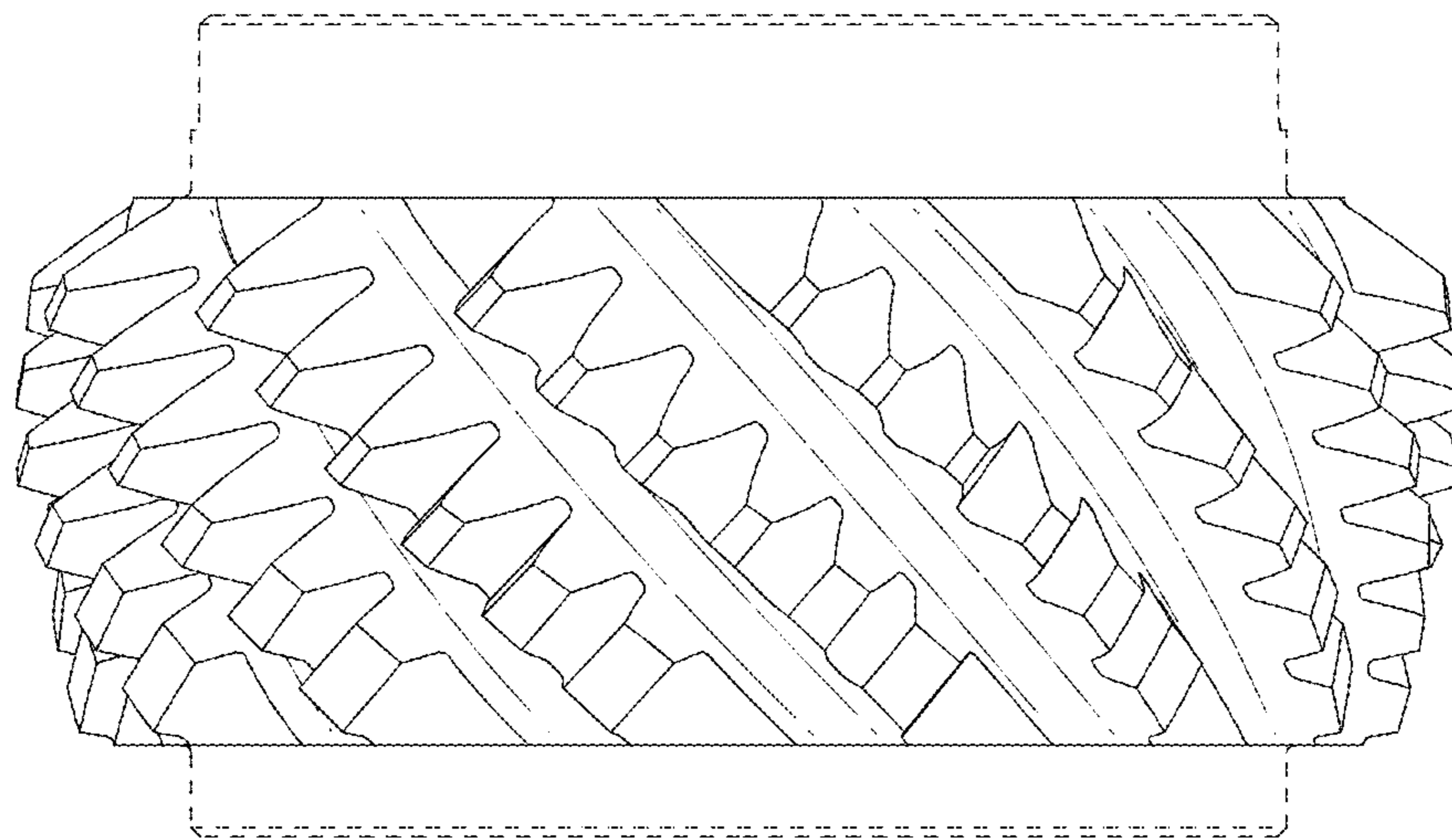


FIG. 4

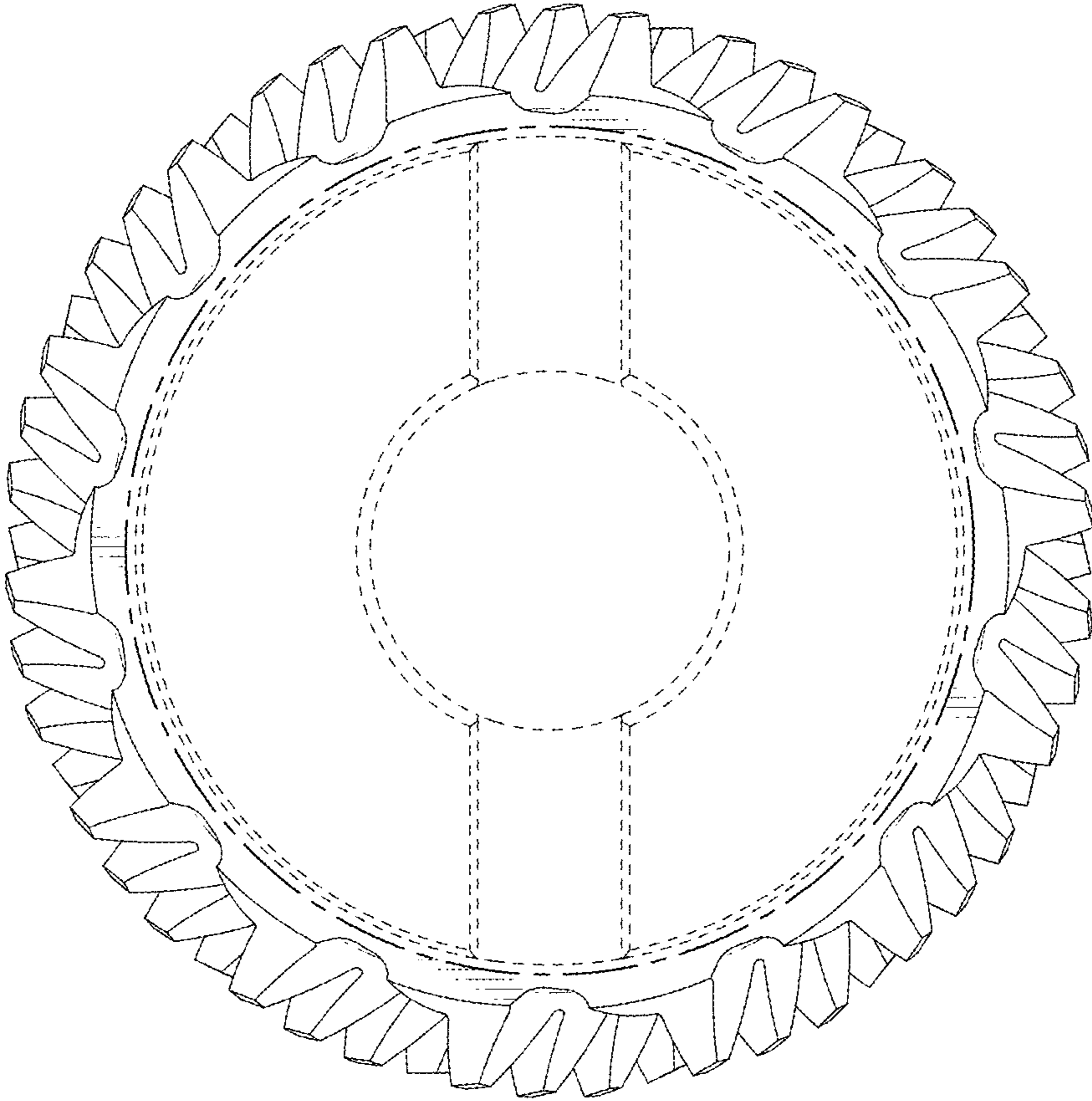


FIG. 5

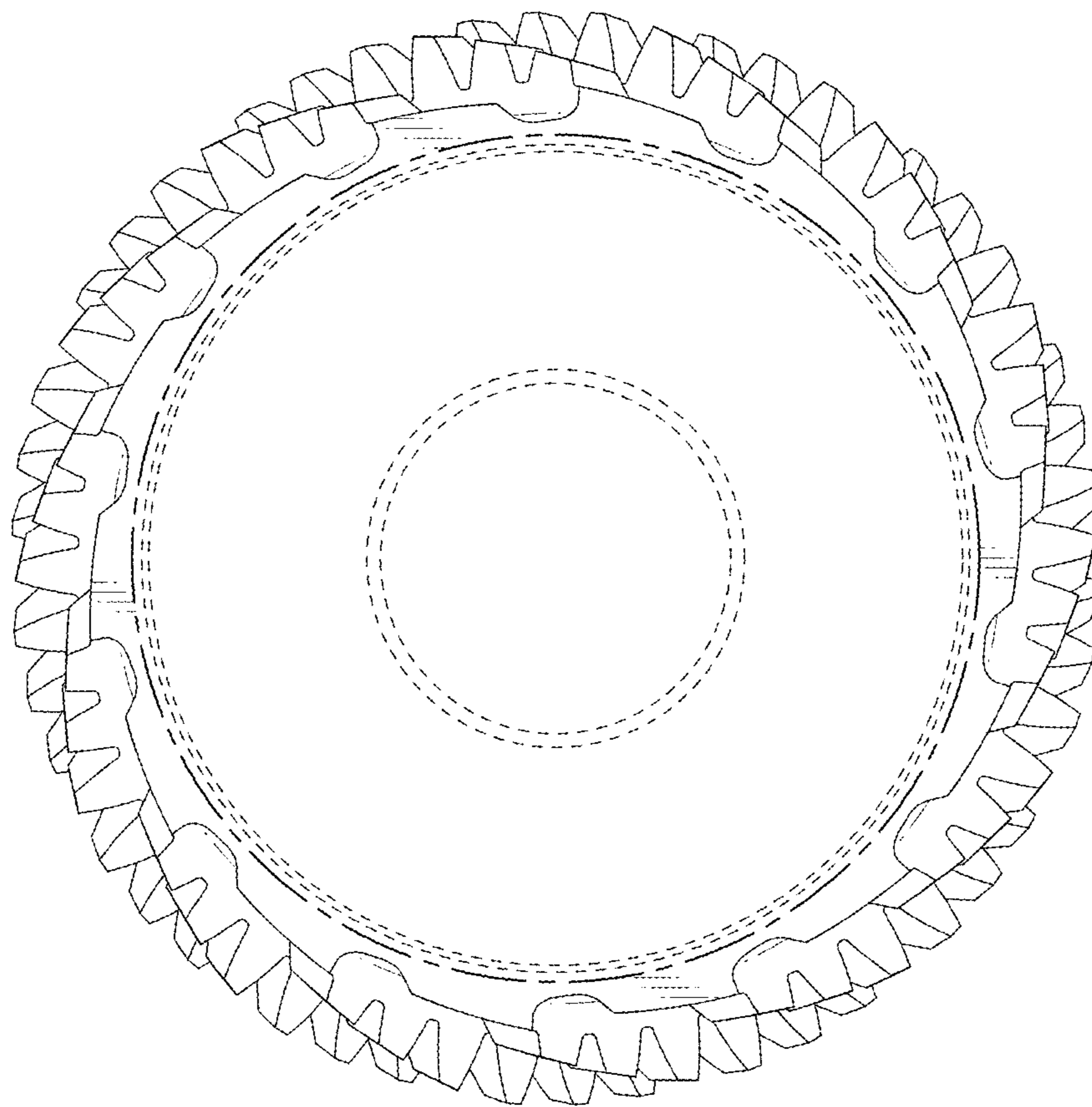


FIG. 6

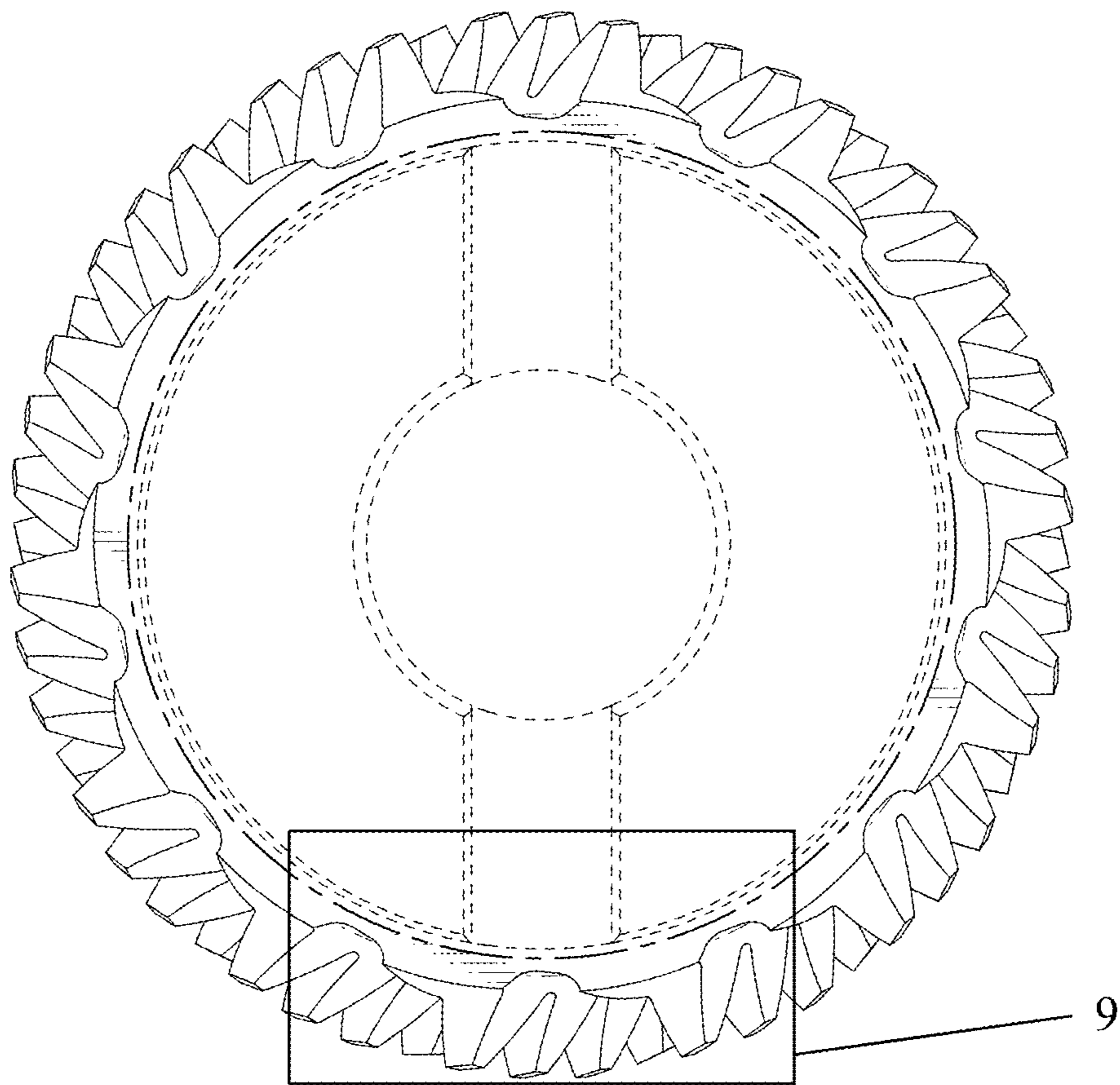




FIG. 7

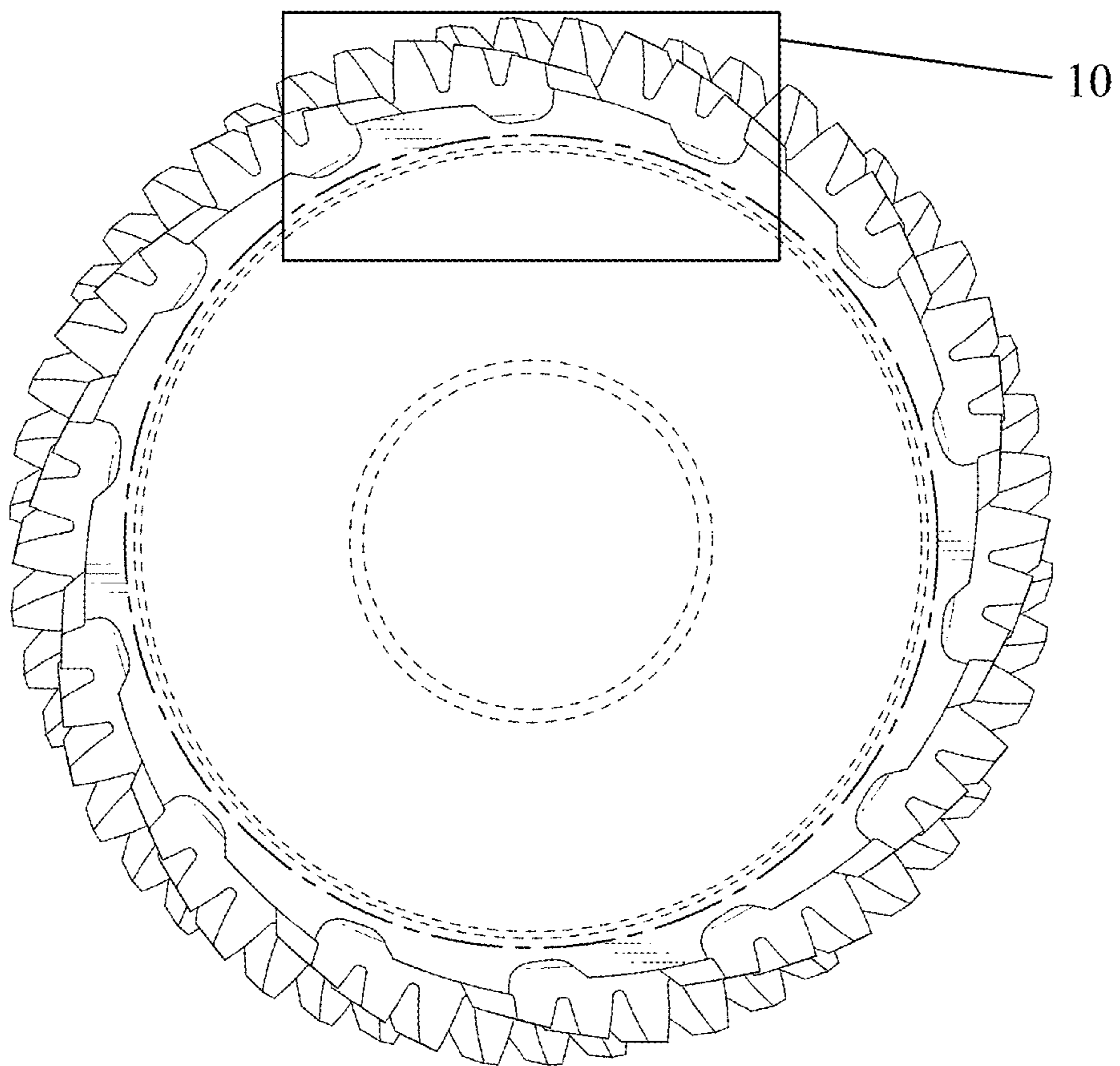


FIG. 8

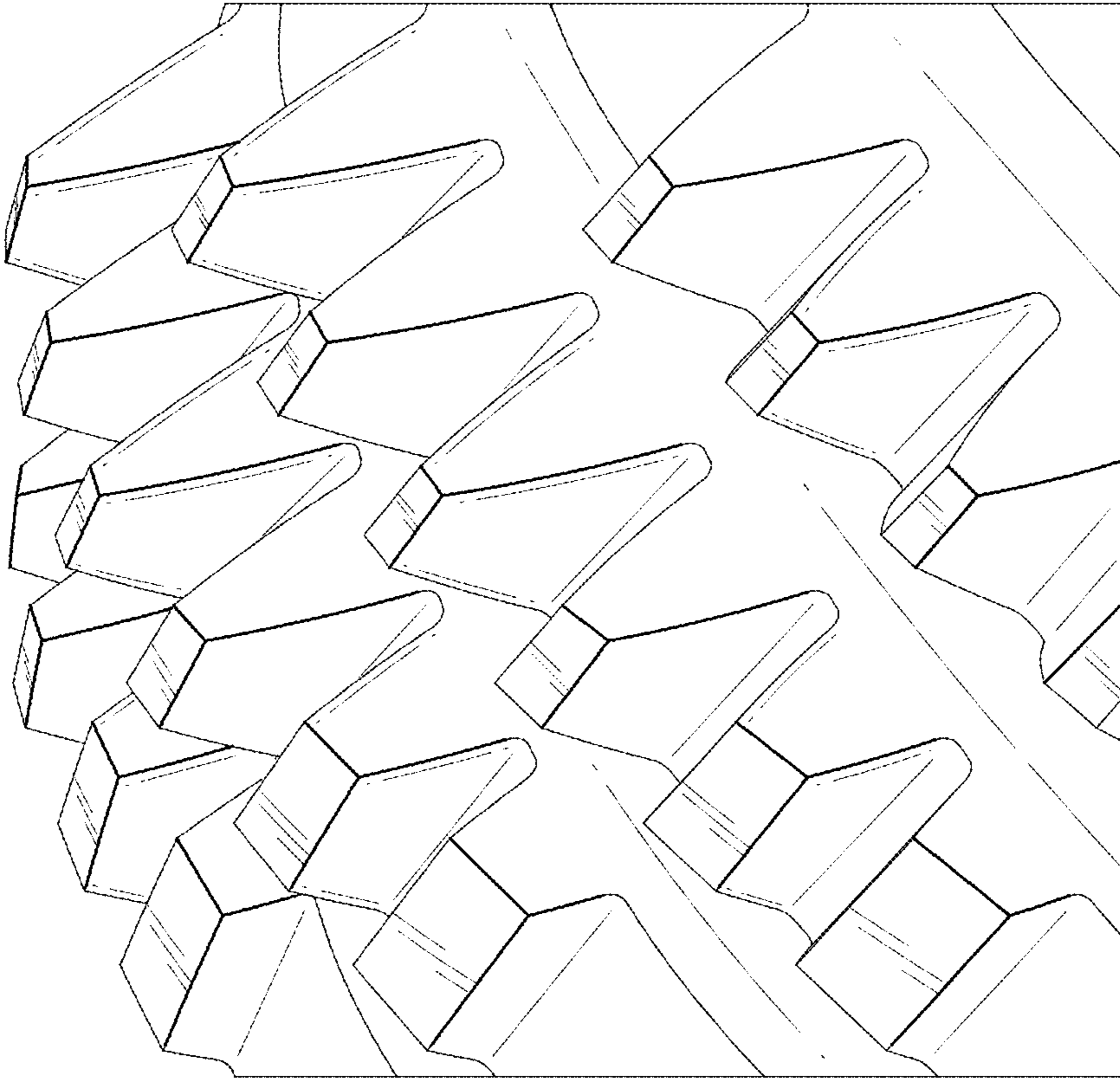


FIG. 9

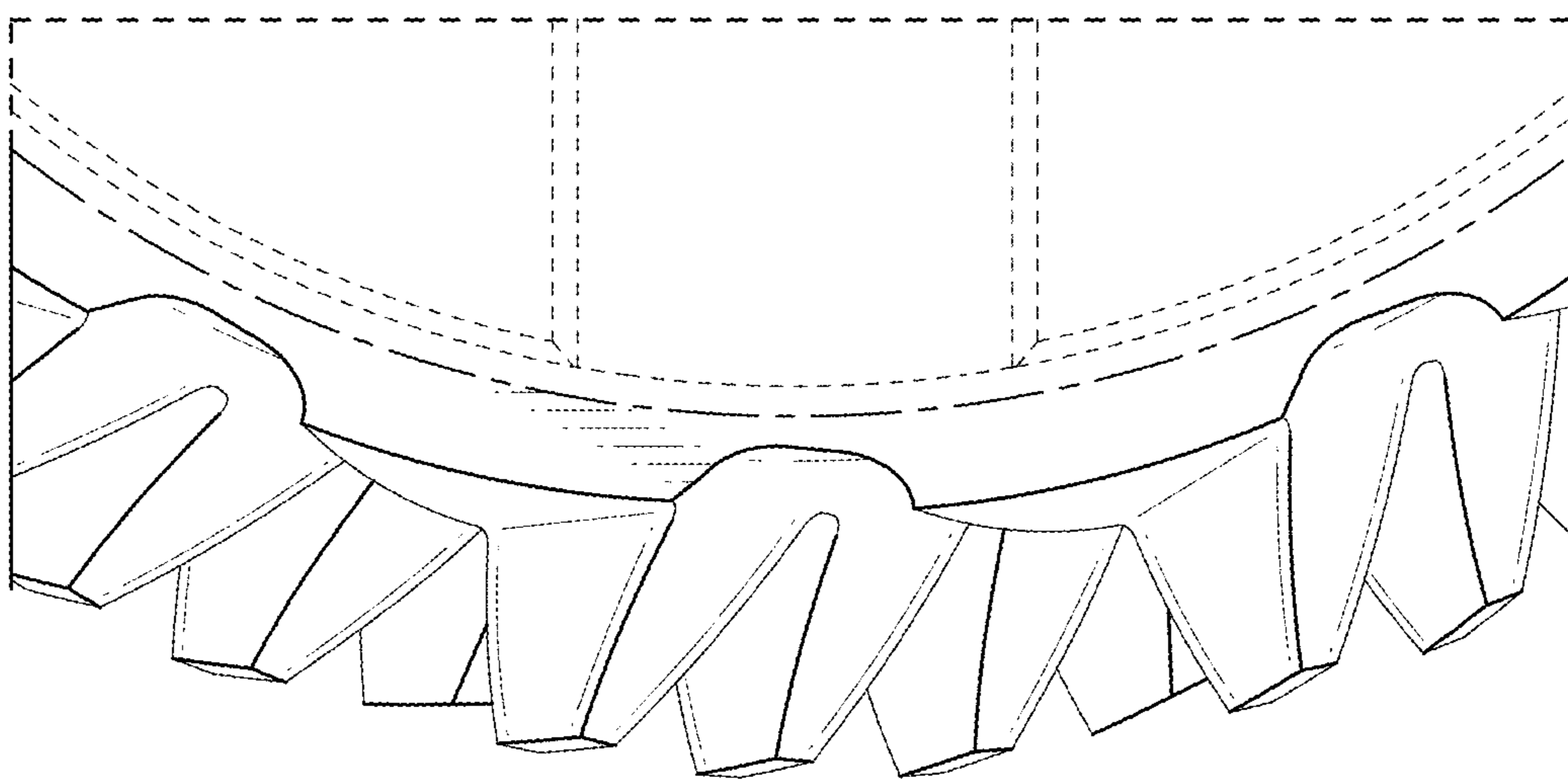


FIG. 10

