



US00D781937S

(12) **United States Design Patent**
Svedensten et al.

(10) **Patent No.:** **US D781,937 S**
(45) **Date of Patent:** **** Mar. 21, 2017**

(54) **CRUSHING SHELL**
(71) Applicant: **SANDVIK INTELLECTUAL PROPERTY AB**, Sandviken (SE)
(72) Inventors: **Per Svedensten**, Sandviken (SE);
Elisabeth Lee, Sandviken (SE);
Hannes Larheden, Sandviken (SE)
(73) Assignee: **SANDVIK INTELLECTUAL PROPERTY AB**, Sandviken (SE)
(**) Term: **15 Years**
(21) Appl. No.: **29/552,288**
(22) Filed: **Jan. 21, 2016**
(30) **Foreign Application Priority Data**

Jun. 27, 2013 (EM) 001376073-0001
Jun. 27, 2013 (EM) 001376073-0002
Jun. 27, 2013 (EM) 001376073-0003

(51) **LOC (10) Cl.** **15-09**
(52) **U.S. Cl.**
USPC **D15/123**
(58) **Field of Classification Search**
USPC D8/70; D15/21, 123, 138, 139, 144.2;
D23/223; 219/137.31, 137.42-137.44,
219/137.61-137.63, 74, 75; 241/207
CPC B02C 2/00; B02C 2/02; B02C 2/04; B02C
2/005; B02C 2/047; F16B 39/22; Y10T
29/49826; Y10T 29/49947
See application file for complete search history.

(56) **References Cited**

U.S. PATENT DOCUMENTS

2,147,721 A * 2/1939 Stearns B02C 2/06
241/156
2,467,938 A * 4/1949 Kennedy B02C 2/06
241/299

3,565,353 A * 2/1971 Adam B02C 2/005
241/207
4,016,630 A * 4/1977 Bengtsson B02C 2/047
241/207
4,084,756 A * 4/1978 Coxhill B02C 2/06
241/213
4,147,309 A * 4/1979 Vroom B02C 25/00
241/215
4,566,638 A * 1/1986 Lundin B02C 2/06
241/210
4,793,560 A * 12/1988 SchrodL B02C 2/047
241/207
4,976,470 A * 12/1990 Arakawa B02C 2/045
241/215
5,516,053 A * 5/1996 Hannu B02C 2/005
241/207
5,779,166 A * 7/1998 Ruokonen B02C 2/06
241/213
6,129,297 A * 10/2000 Sawant B02C 2/005
241/101.3

(Continued)

Primary Examiner — Patricia Palasik
(74) *Attorney, Agent, or Firm* — Corrine R. Gorski

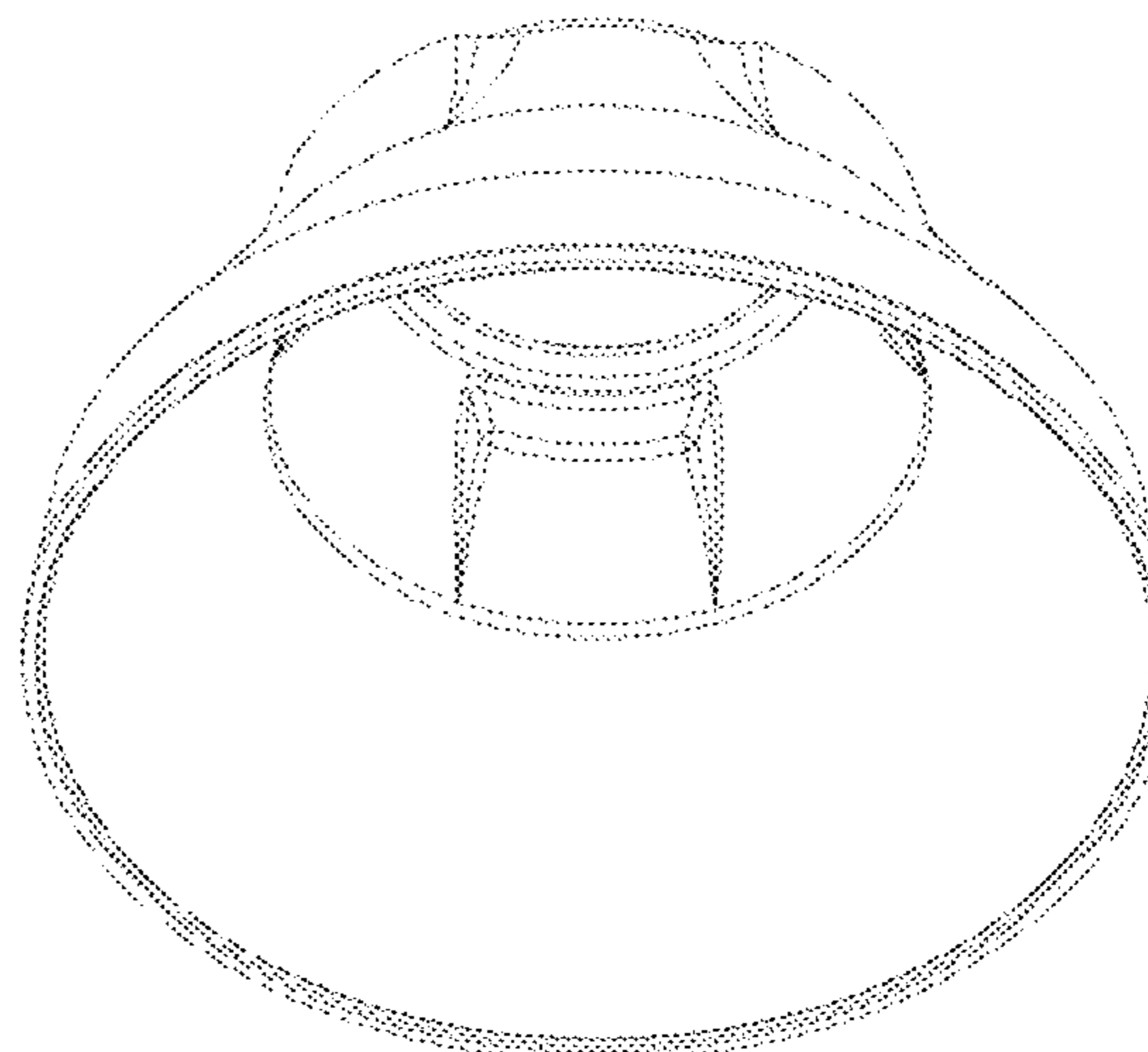
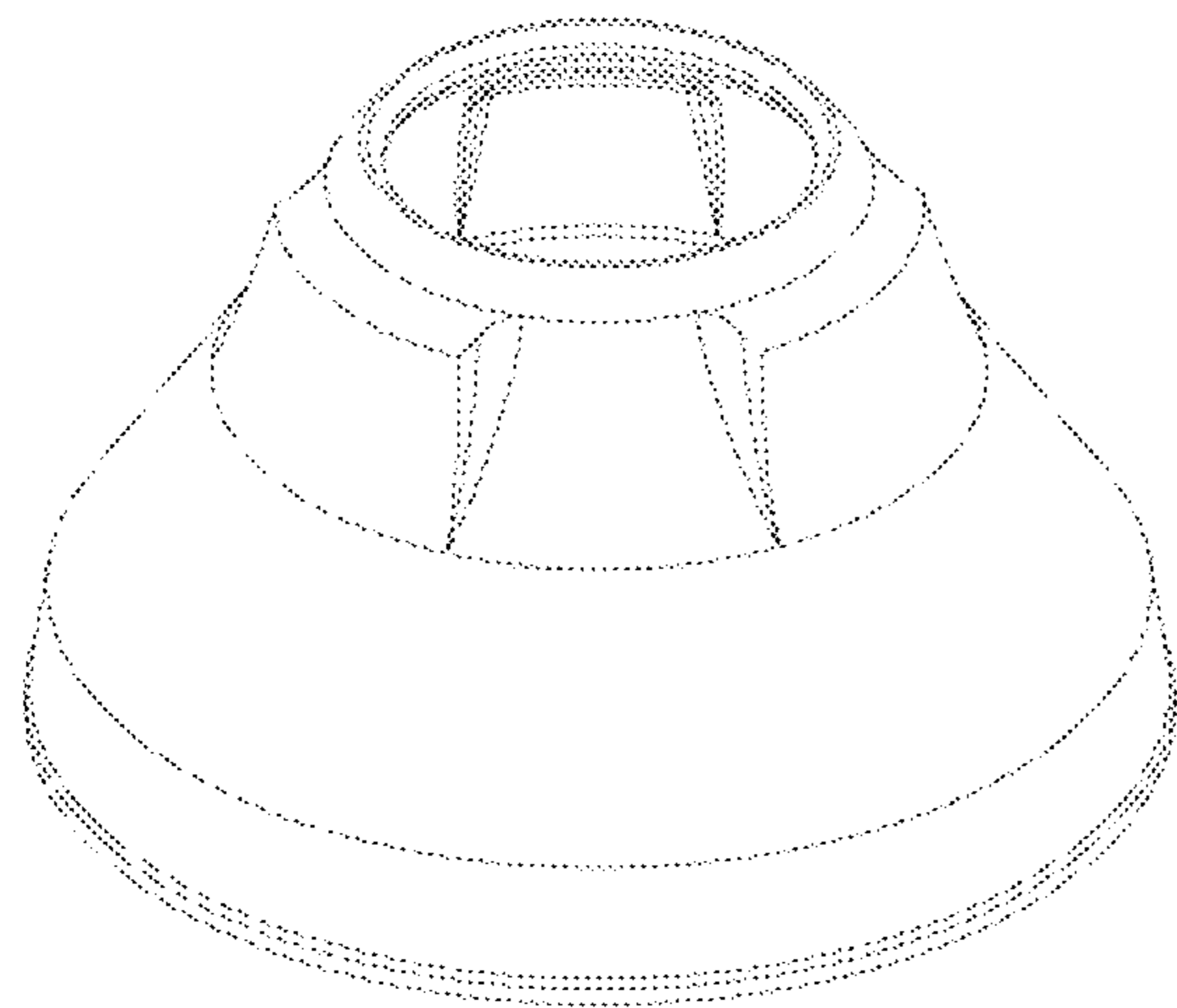
(57) **CLAIM**

The ornamental design for a crushing shell, as shown and described.

DESCRIPTION

FIG. 1 is a perspective view of an embodiment of a crushing shell;
FIG. 2 is bottom perspective view thereof;
FIG. 3 is a front view thereof;
FIG. 4 is a rear view thereof;
FIG. 5 is one side view thereof, with the other side being a mirror image thereof;
FIG. 6 is a top view thereof; and,
FIG. 7 is a bottom view thereof.

1 Claim, 7 Drawing Sheets



(56)

References Cited

U.S. PATENT DOCUMENTS

6,520,437 B2 *	2/2003	Jean	B02C 2/00	8,602,340 B2 *	12/2013	Berton	B02C 2/005
				241/207					164/91
D519,529 S *	4/2006	Quantz	D15/123	D713,431 S *	9/2014	Malmqvist	D15/123
7,036,758 B2 *	5/2006	Hamada	B02C 2/005	9,050,601 B2 *	6/2015	Ha	B02C 2/04
				241/207	9,205,427 B2 *	12/2015	Lindberg	B02C 2/02
7,152,822 B2 *	12/2006	Evertsson	B02C 2/04	D751,128 S *	3/2016	Svedensten	D15/123
				241/207	9,347,478 B2 *	5/2016	Yacobucci	F16B 21/08
7,673,821 B2 *	3/2010	Norrman	B02C 2/047	9,393,678 B2 *	7/2016	Berthier	B25B 11/00
				241/15	2005/0133647 A1 *	6/2005	Evertsson	B02C 2/04
7,823,820 B2 *	11/2010	Eriksson	B02C 2/04					241/207
				241/207	2007/0272780 A1 *	11/2007	Olsson	B02C 2/005
7,850,108 B2 *	12/2010	Olsson	B02C 2/005					241/207
				241/207	2010/0270409 A1 *	10/2010	Eriksson	B02C 2/005
7,988,082 B2 *	8/2011	Norrman	B02C 2/047					241/207
				241/207	2014/0076113 A1 *	3/2014	Berthier	B25B 11/00
8,047,460 B2 *	11/2011	Eriksson	B02C 2/005					81/462
				241/207	2014/0110514 A1 *	4/2014	Belotserkovskiy	B02C 2/005
				241/207					241/259

* cited by examiner

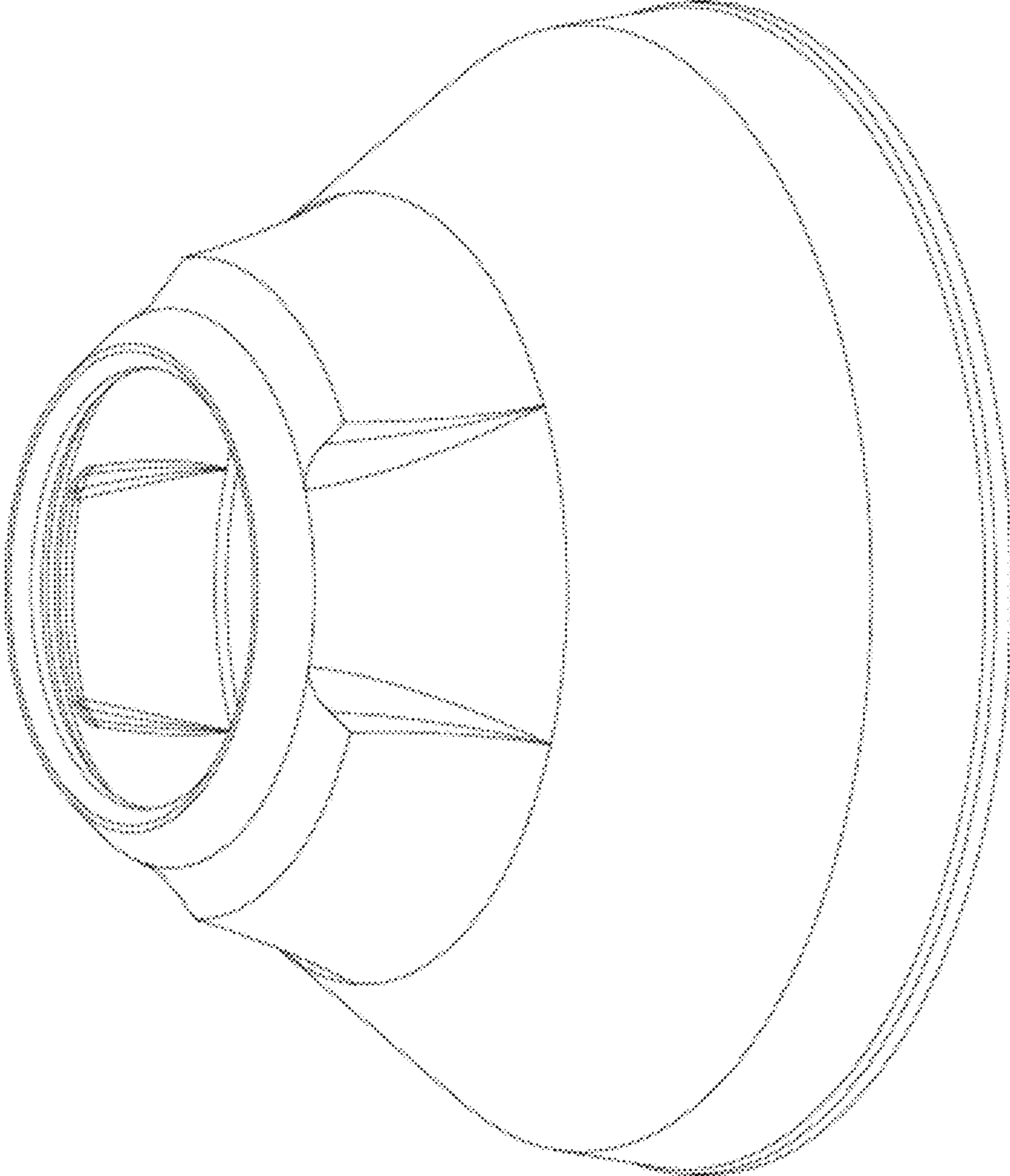


Fig. 1

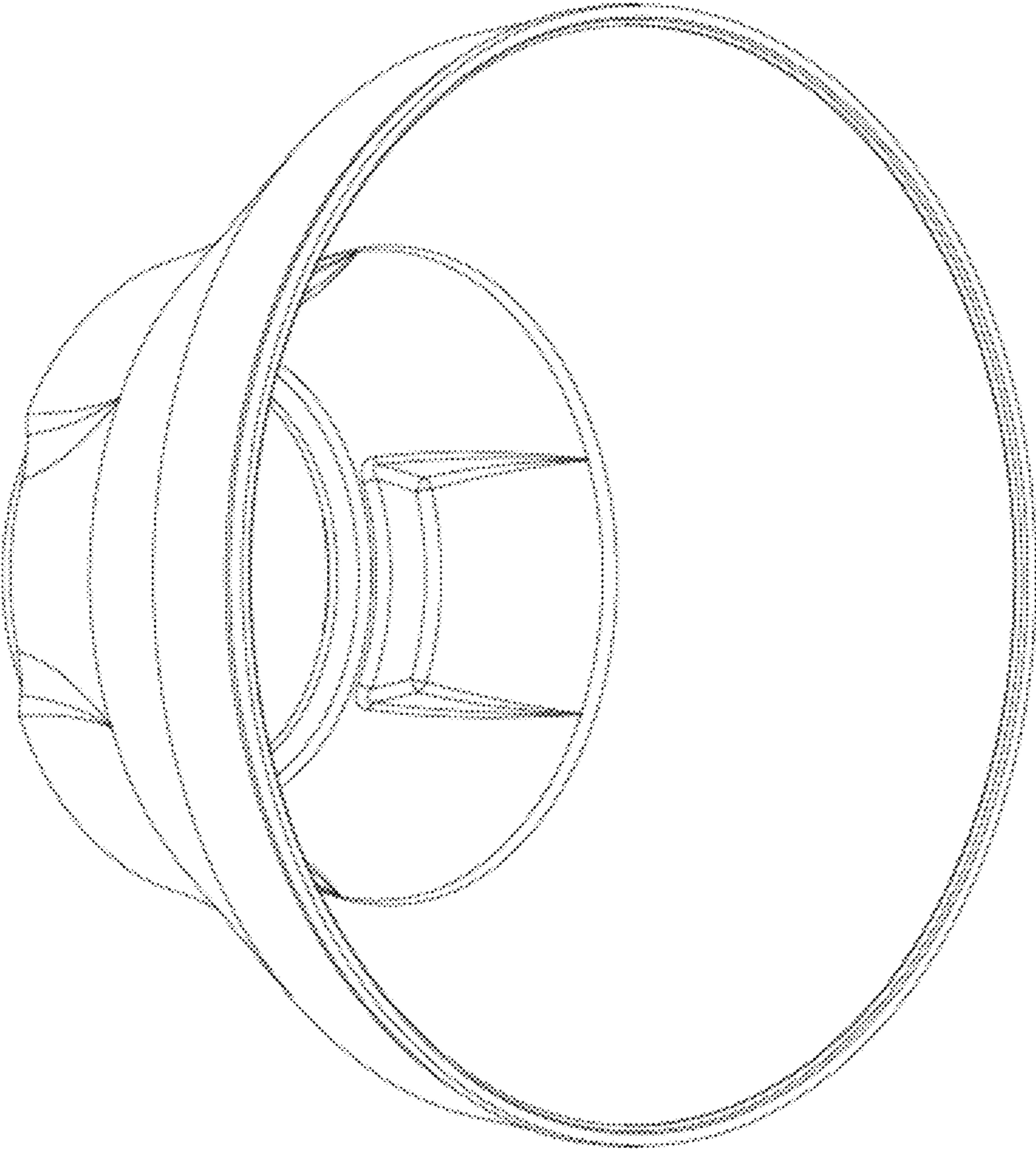


Fig. 2

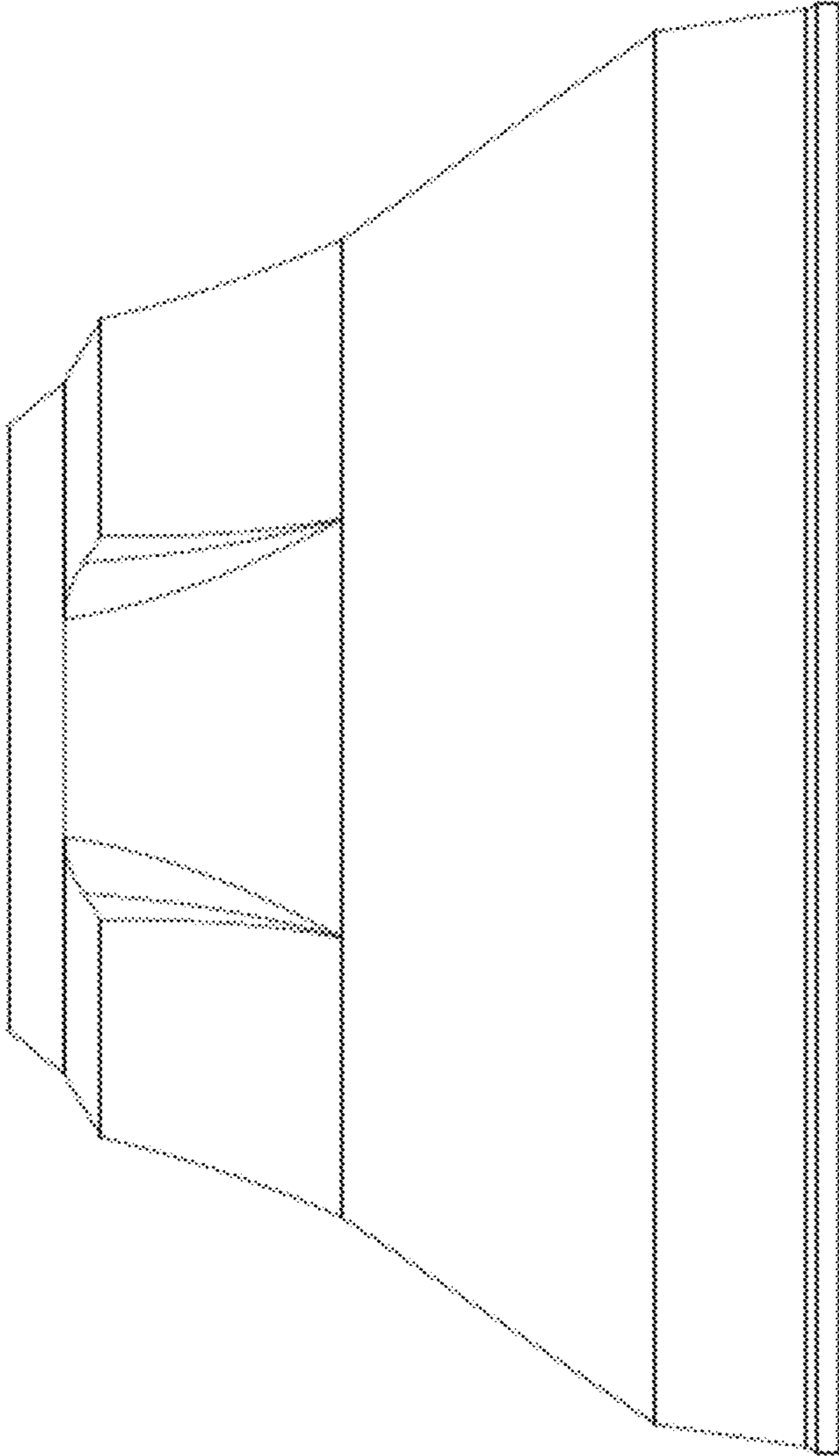


Fig. 3

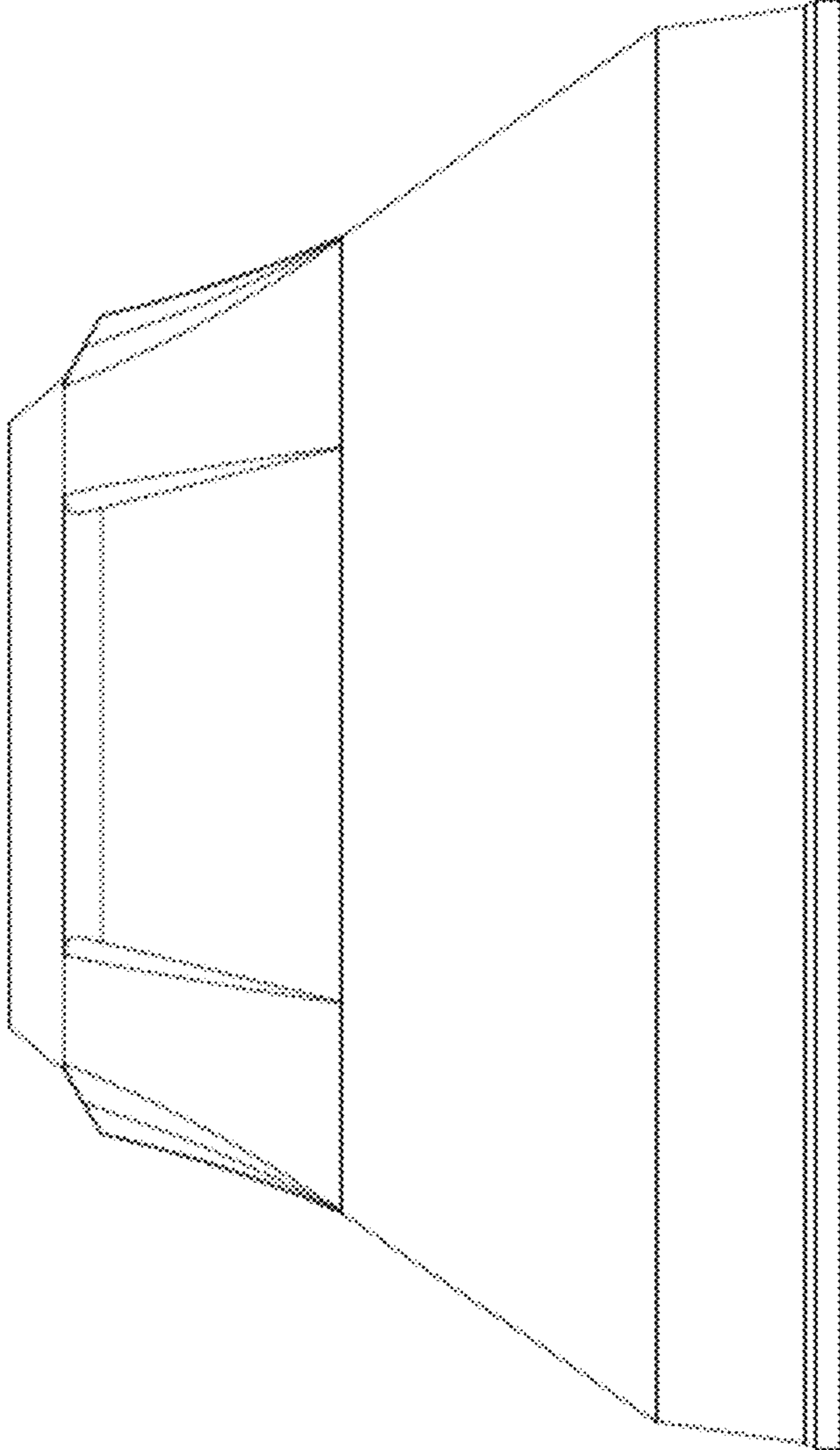


Fig. 4

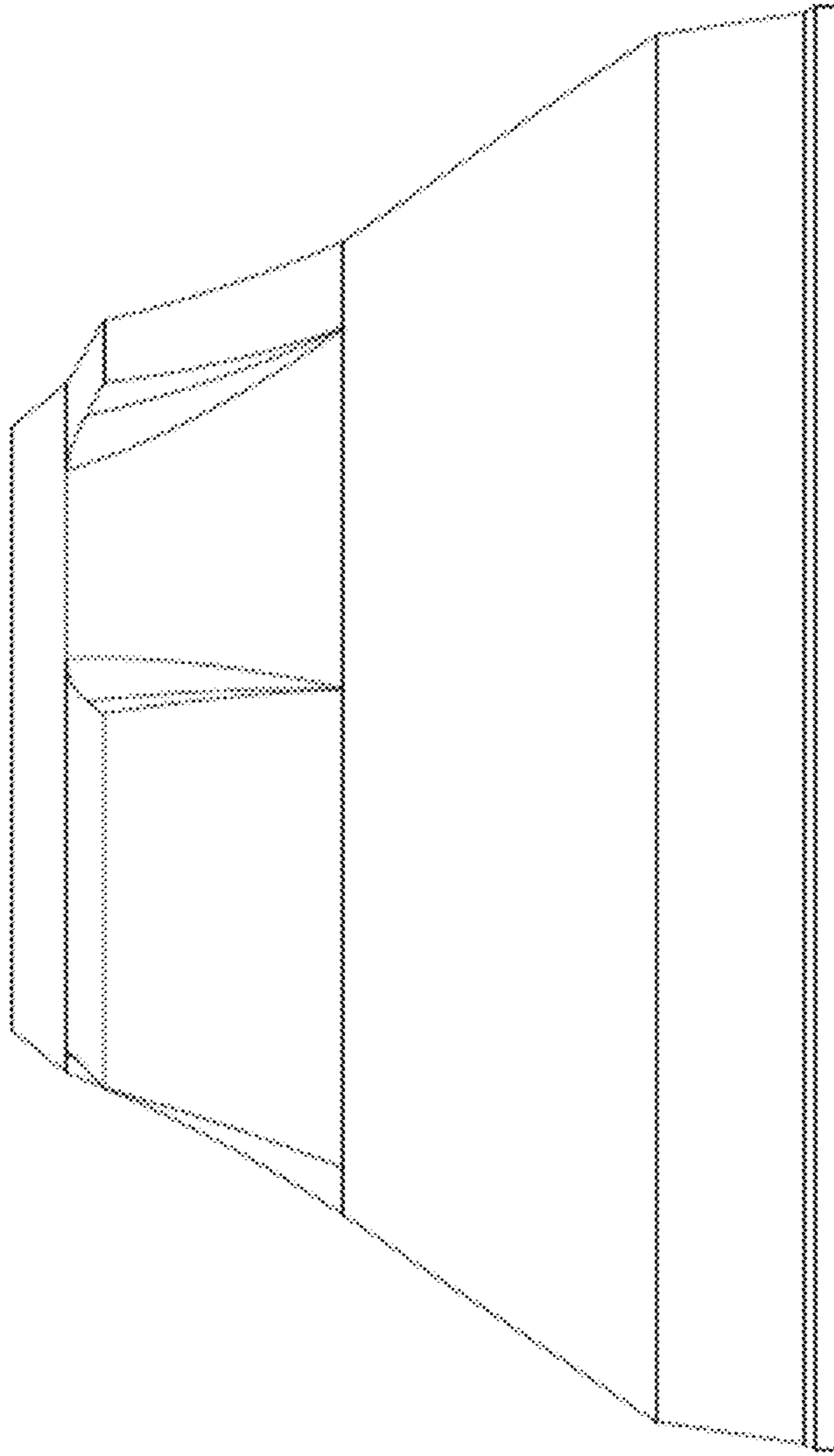


Fig. 5

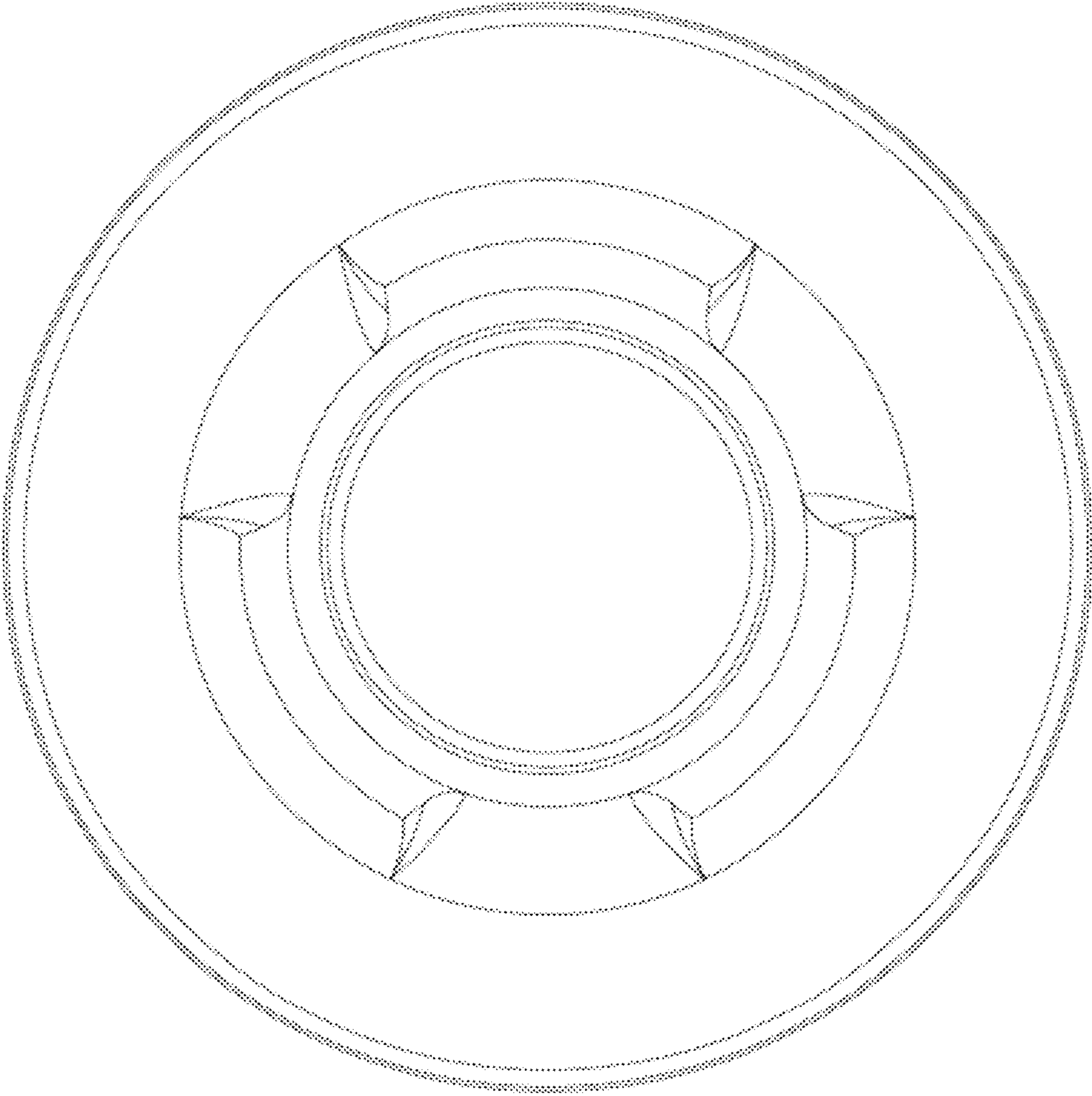


Fig. 6

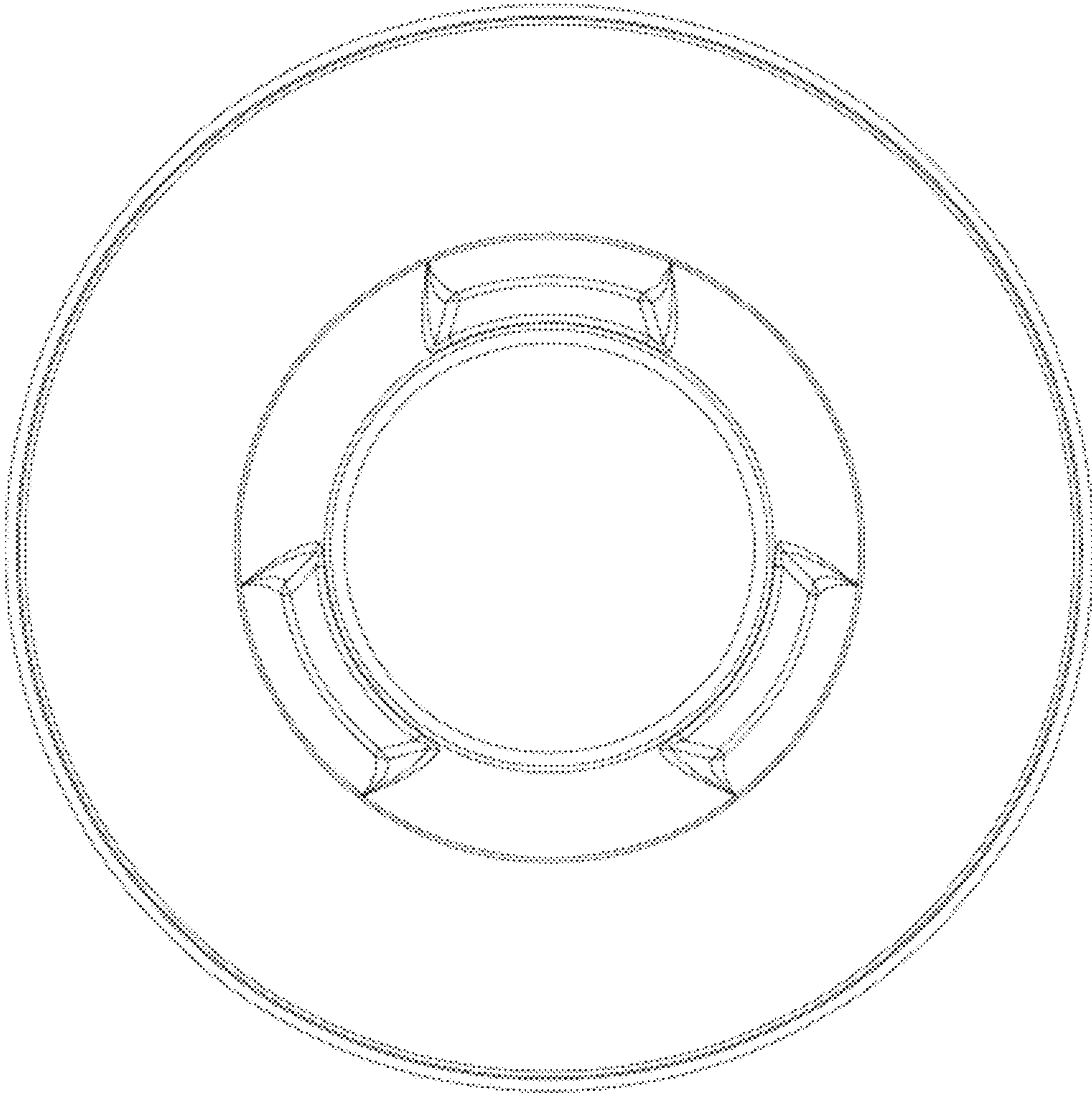


Fig. 7