



US00D781934S

(12) **United States Design Patent**
Shrader et al.

(10) **Patent No.:** **US D781,934 S**
(45) **Date of Patent:** **** Mar. 21, 2017**

(54) **REFRIGERATOR**

(71) Applicant: **Electrolux Home Products, Inc.**,
Charlotte, NC (US)
(72) Inventors: **Benjamin Shrader**, Charlotte, NC
(US); **Charles Baker**, Concord, NC
(US); **Robert Warren**, Charlotte, NC
(US); **Scott King**, Charlotte, NC (US)

(73) Assignee: **Electrolux Home Products, Inc.**,
Charlotte, NC (US)

(**) Term: **15 Years**

(21) Appl. No.: **29/536,938**

(22) Filed: **Aug. 20, 2015**

(51) **LOC (10) Cl.** **15-07**

(52) **U.S. Cl.**
USPC **D15/85**

(58) **Field of Classification Search**
USPC D15/79-91
CPC F25D 23/028; F25D 23/02; F25D 25/025;
F25D 23/00; F25D 2323/021; F25D
11/00; F25D 2323/024; F25D 23/04;
F25D 29/00; F25D 25/02; F25D 25/024;
F25D 27/005; F25D 23/12; F25D 29/005;
F25D 17/042; F25D 2325/021; F25D
2323/02

See application file for complete search history.

(56) **References Cited**

U.S. PATENT DOCUMENTS

D379,095 S 5/1997 Sparks
D415,504 S 10/1999 Han
D449,624 S 10/2001 Yu
D449,625 S 10/2001 Yu
D477,336 S 7/2003 Kwak et al.
D496,055 S 9/2004 Kim
D505,139 S 5/2005 Jackovin

D508,249 S 8/2005 Seok et al.
D508,925 S 8/2005 Seok et al.
D509,836 S 9/2005 Choi et al.
D512,081 S 11/2005 Chang
D513,015 S 12/2005 Doh et al.
D515,597 S 2/2006 Park et al.
D518,833 S 4/2006 Kwak et al.

(Continued)

FOREIGN PATENT DOCUMENTS

CA 104850 A 4/1907
CA 109336 A 12/1907

(Continued)

OTHER PUBLICATIONS

U.S. Appl. No. 29/536,934, filed Aug. 20, 2015.

Primary Examiner — Daniel Bui

Assistant Examiner — Khawaja Anwar

(74) *Attorney, Agent, or Firm* — Banner & Witcoff, Ltd.

(57) **CLAIM**

The ornamental design for a refrigerator, as shown and described.

DESCRIPTION

FIG. 1 is a front perspective view of a refrigerator showing our new design;

FIG. 2 is a front view thereof;

FIG. 3 is a left side view thereof;

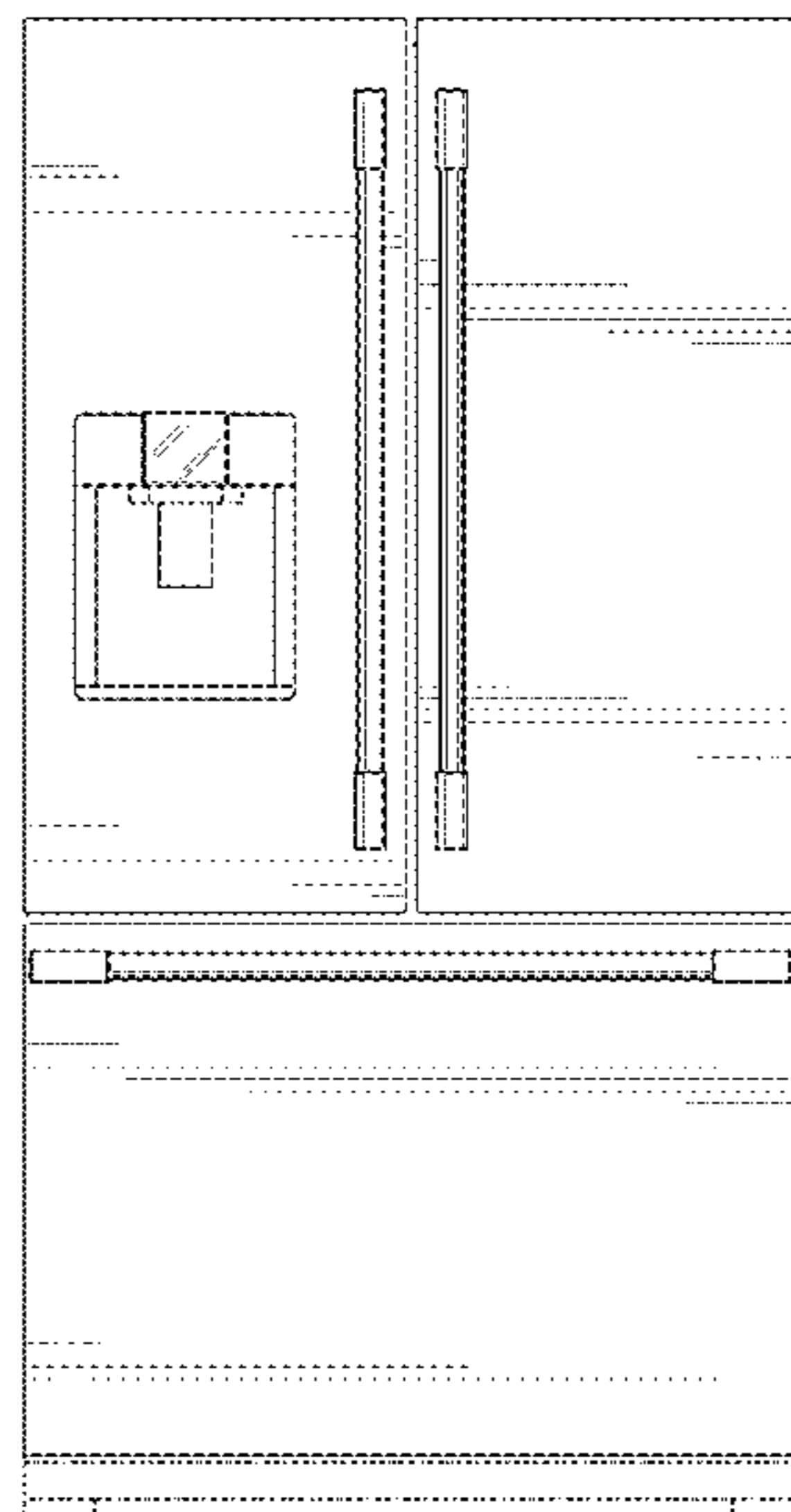
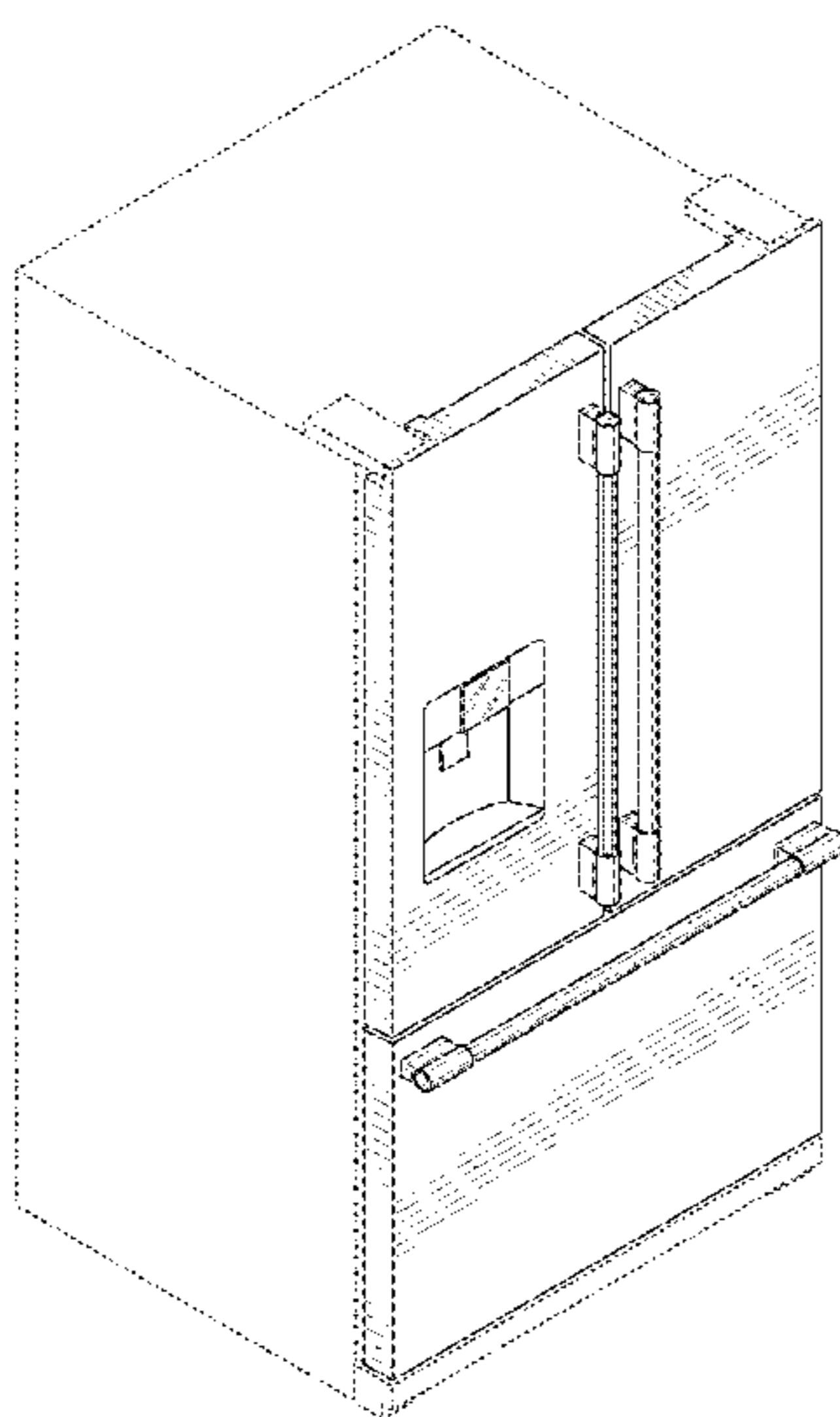
FIG. 4 is a right side view thereof;

FIG. 5 is a top view thereof; and,

FIG. 6 is a bottom view thereof.

The broken lines immediately adjacent to the shaded area in the upper corners of the refrigerator represent unclaimed boundaries of the design. The broken line showing of the remainder of the refrigerator is for environmental purposes only and forms no part of the claimed design.

1 Claim, 6 Drawing Sheets



(56)

References Cited

U.S. PATENT DOCUMENTS

D522,540 S 6/2006 Cho et al.
 D522,541 S 6/2006 Kim et al.
 D523,033 S 6/2006 Kim et al.
 D525,993 S 8/2006 Kim et al.
 D527,396 S 8/2006 Kim et al.
 D527,397 S 8/2006 Kim et al.
 D527,745 S 9/2006 Kim et al.
 D527,746 S 9/2006 Kim et al.
 D527,747 S 9/2006 Kim et al.
 D533,884 S 12/2006 Kim et al.
 D533,885 S 12/2006 Yang
 D534,554 S 1/2007 Kim et al.
 D534,555 S 1/2007 Kim et al.
 D536,712 S 2/2007 Kim
 D545,845 S 7/2007 Choi et al.
 D550,723 S 9/2007 Meehan
 D556,792 S 12/2007 Moran
 D557,292 S 12/2007 Lee et al.
 D558,800 S 1/2008 Byun et al.
 D562,360 S 2/2008 Choi
 D567,260 S 4/2008 Kim et al.
 D567,261 S 4/2008 Crookshanks
 D567,262 S 4/2008 Crookshanks
 D568,343 S 5/2008 Suh et al.
 D601,175 S 9/2009 Staud et al.
 D639,616 S 6/2011 Krapfl et al.
 D714,361 S * 9/2014 Seo D15/86
 D714,362 S * 9/2014 You D15/86

D716,847 S * 11/2014 You D15/86
 D718,350 S * 11/2014 Jeon D15/86
 D741,380 S * 10/2015 Ogg D15/86

FOREIGN PATENT DOCUMENTS

CA 109337 A 12/1907
 CA 109338 A 12/1907
 CA 116215 A 1/1909
 CA 117335 A 3/1909
 CA 117441 A 3/1909
 CA 117442 A 3/1909
 CA 121641 A 11/1909
 CA 122038 A 11/1909
 CA 122039 A 11/1909
 CA 122040 A 11/1909
 CA 123873 A 2/1910
 CA 123874 A 2/1910
 CA 123875 A 2/1910
 CA 123876 A 2/1910
 CA 125192 A 4/1910
 CA 127782 A 8/1910
 CA 133513 A 6/1911
 CA 133720 A 6/1911
 CA 144125 A 11/1912
 CA 145854 A 2/1913
 CA 150147 A 8/1913
 CA 150628 A 9/1913
 CA 150629 A 9/1913
 CA 150630 A 9/1913
 CA 151818 A 11/1913
 CA 151821 A 11/1913

* cited by examiner

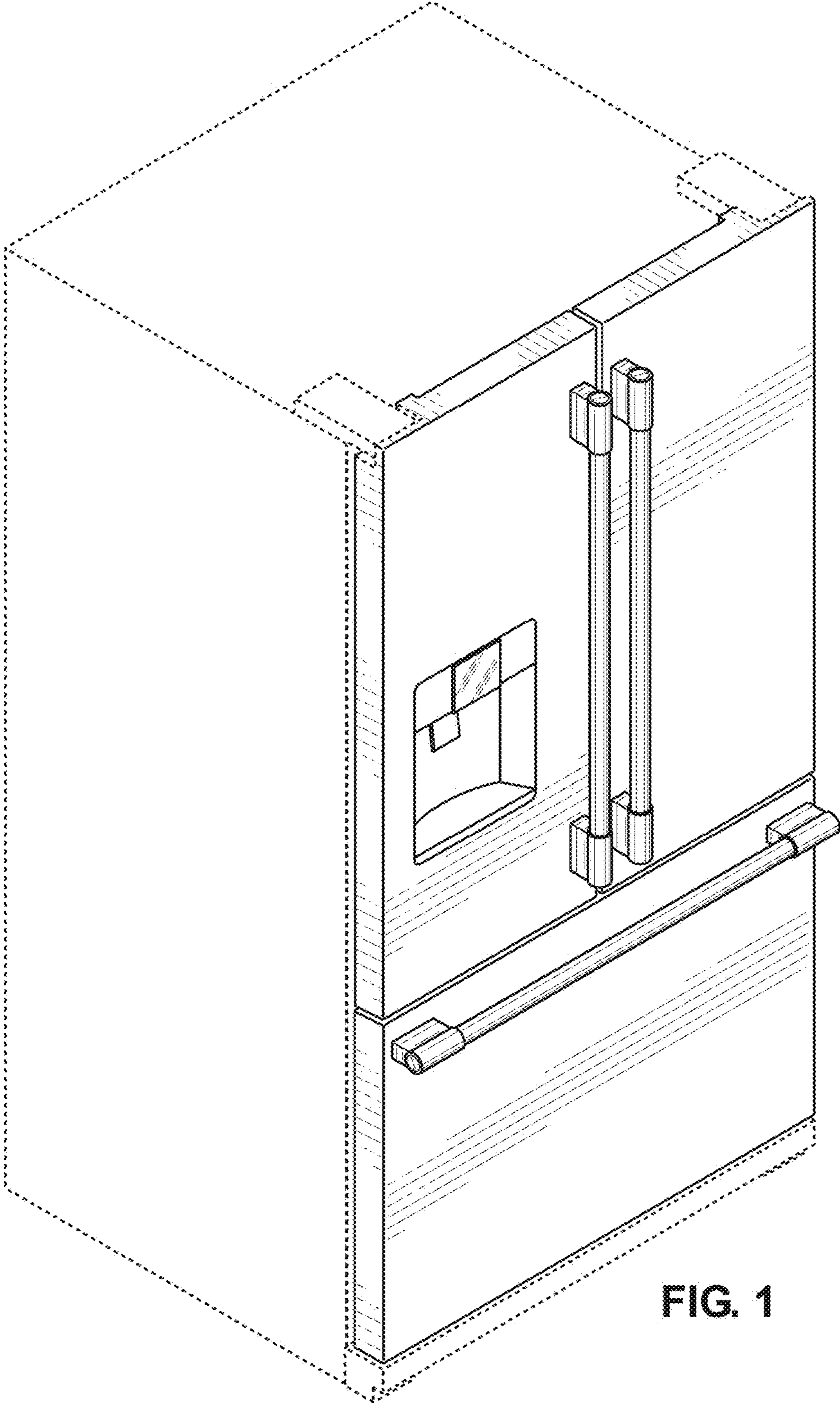


FIG. 1

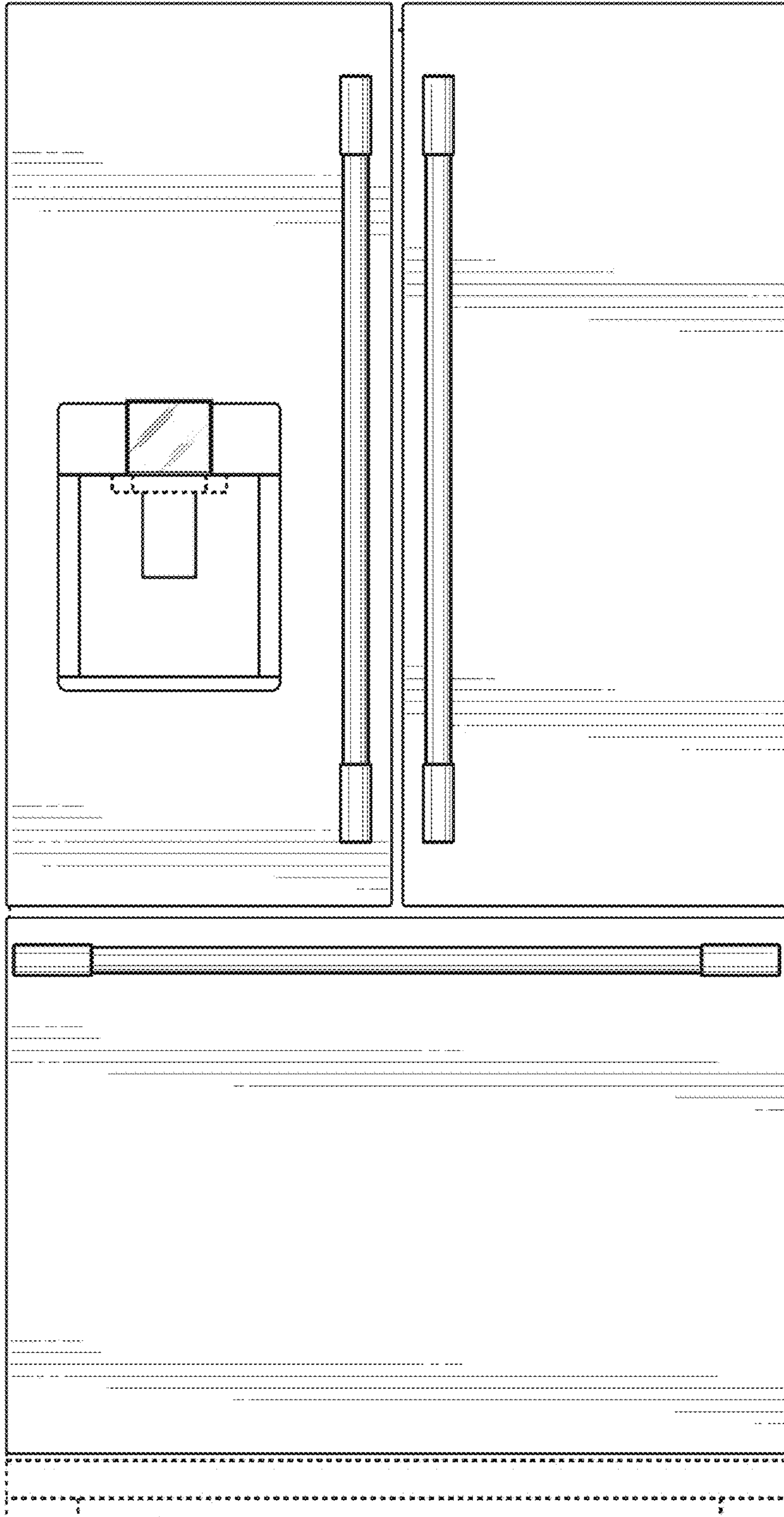


FIG. 2

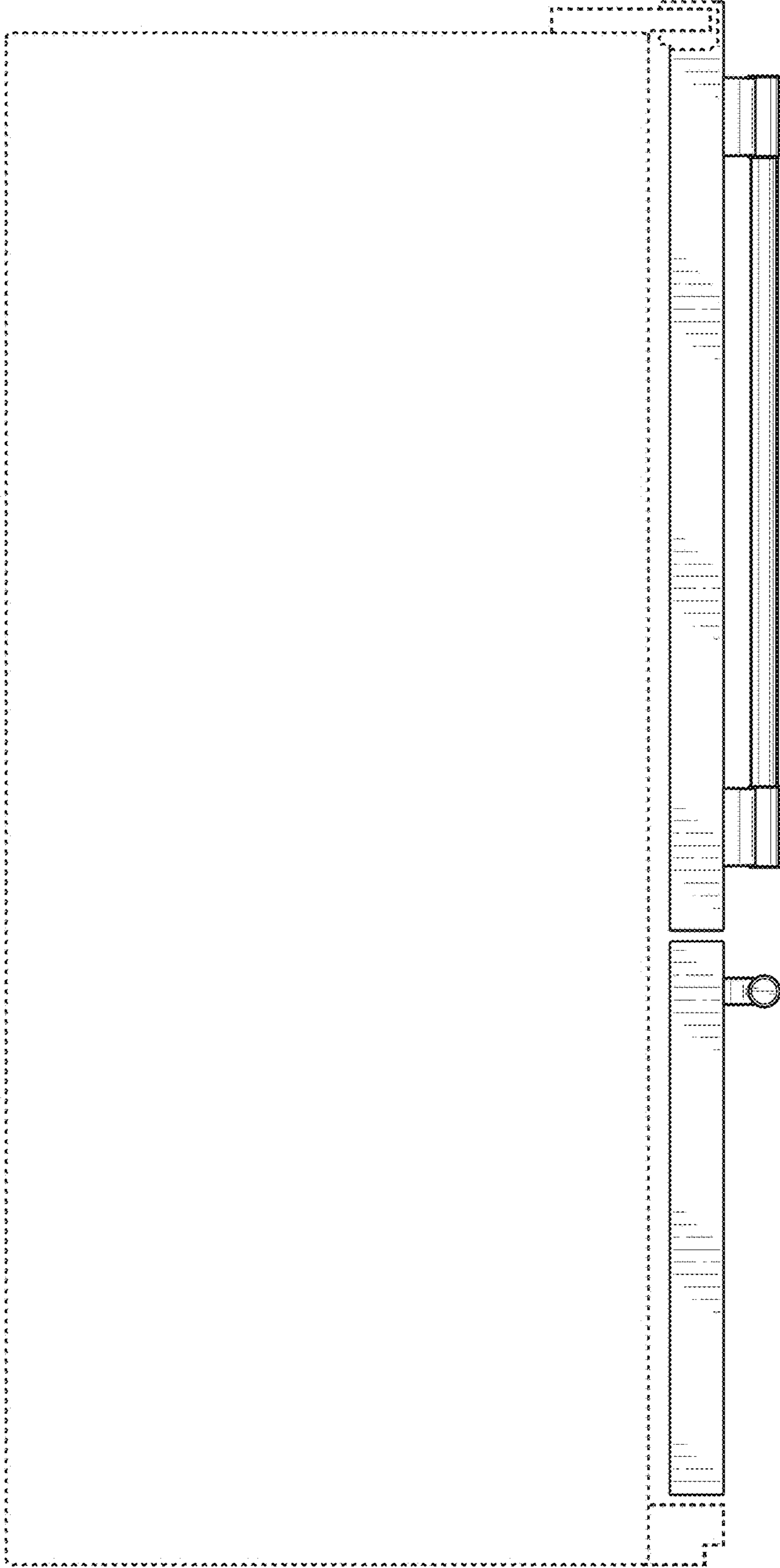


FIG. 3

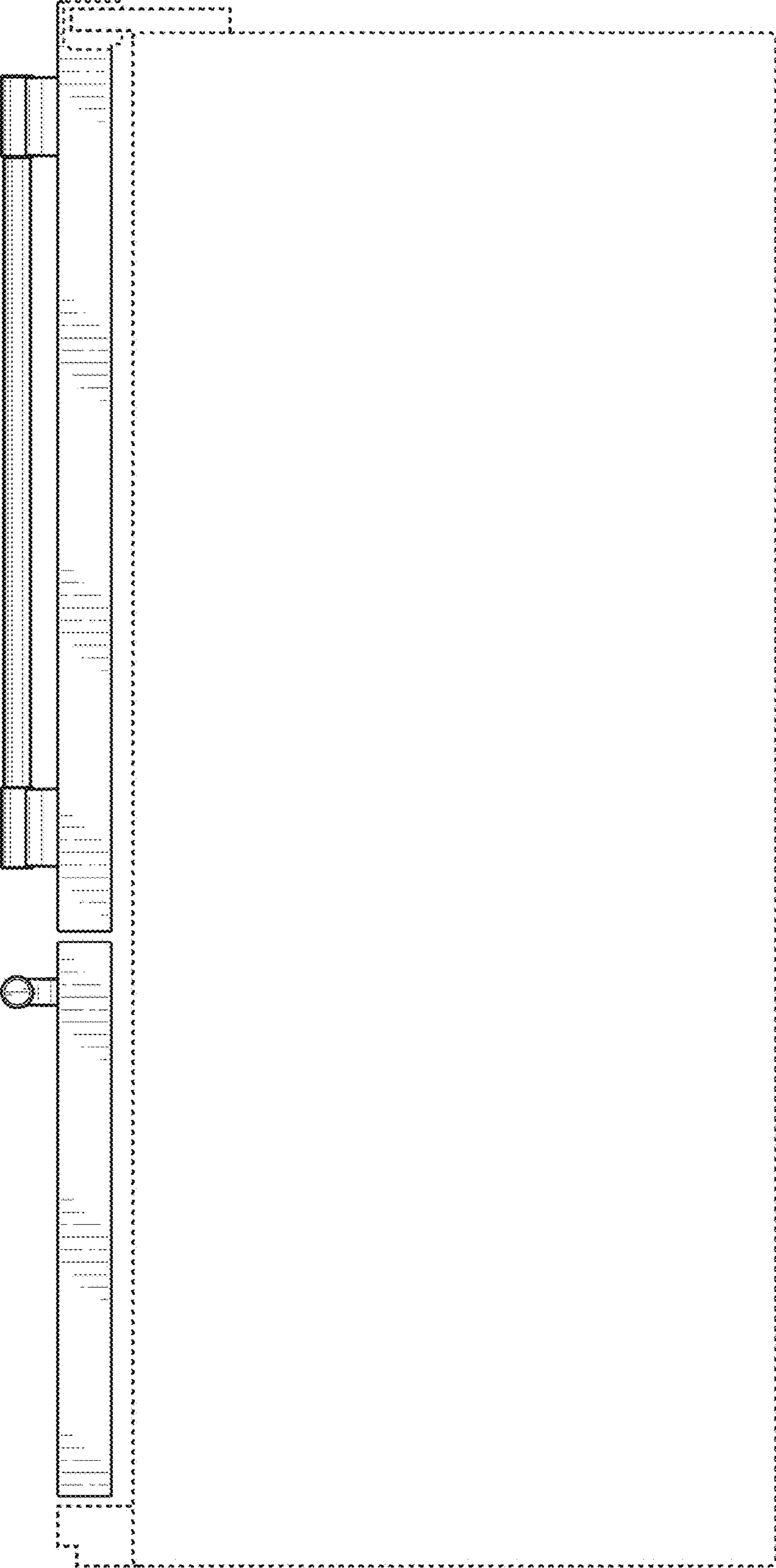


FIG. 4

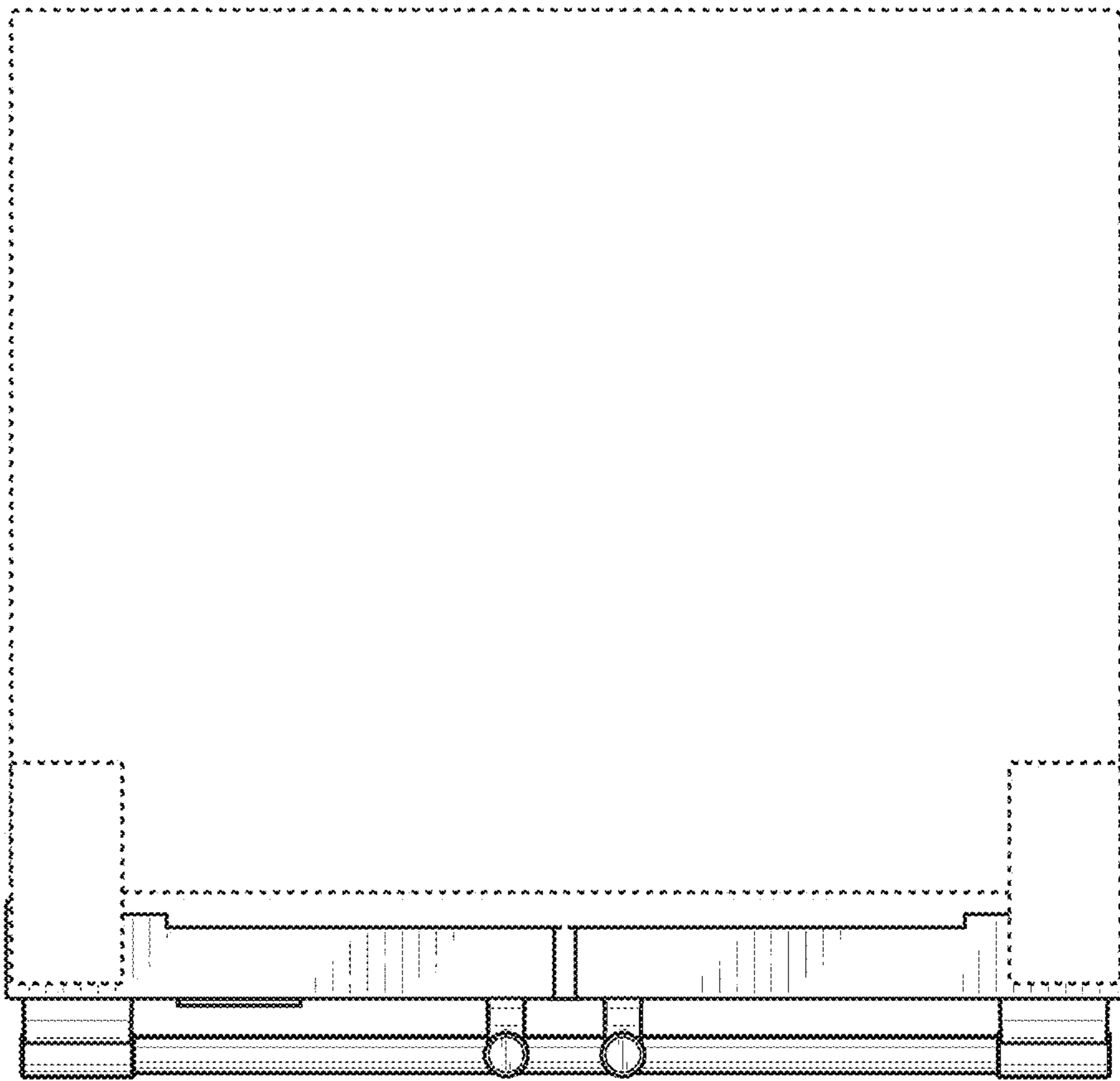


FIG. 5

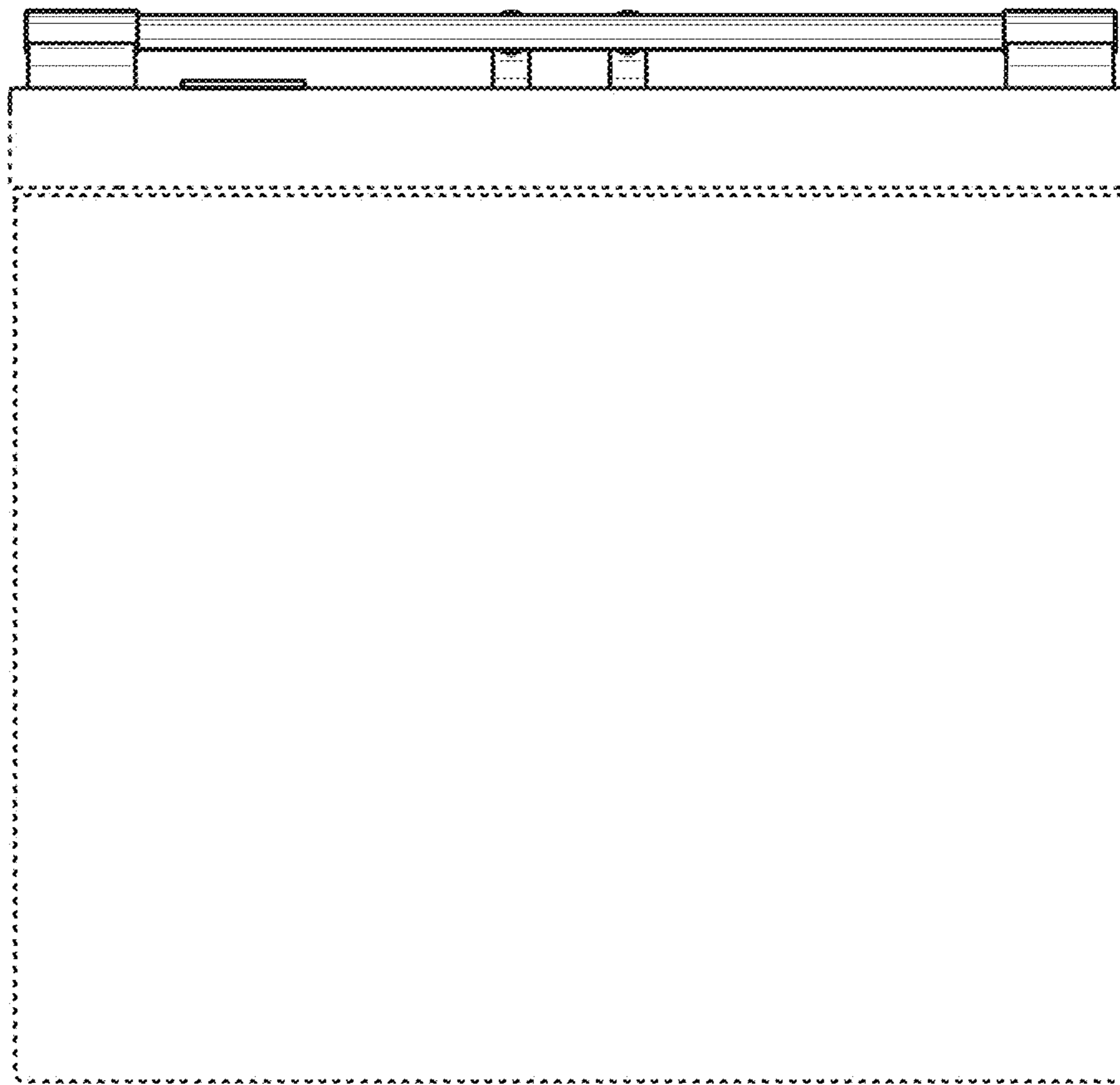


FIG. 6