



US00D781932S

(12) **United States Design Patent**
Yoshikawa

(10) **Patent No.:** **US D781,932 S**
(45) **Date of Patent:** **** Mar. 21, 2017**

(54) **ICE MAKER**

(71) Applicant: **Toshiyuki Yoshikawa**, Nara-ken (JP)

(72) Inventor: **Toshiyuki Yoshikawa**, Nara-ken (JP)

(73) Assignee: **KABUSHIKI KAISHA**
YOSHIKAWAKUNI KOGYOSHO,
Katshuragi-Shi, Nara-Ken (JP)

(**) Term: **15 Years**

(21) Appl. No.: **29/556,625**

(22) Filed: **Mar. 2, 2016**

(51) **LOC (10) Cl.** **15-07**

(52) **U.S. Cl.**
USPC **D15/80**

(58) **Field of Classification Search**
USPC D15/79-91; D7/672, 603, 669
CPC F25C 5/005; F25C 1/04; F25C 2400/10;
F25C 5/08; F25C 1/00; F25C 2600/04;
F25C 5/007; F25C 5/182; F25C 2500/06;
F25C

(Continued)

(56) **References Cited**

U.S. PATENT DOCUMENTS

D296,749 S * 7/1988 Threadgill, Jr. D15/82
D514,602 S * 2/2006 Draper D15/82

(Continued)

Primary Examiner — Ian Simmons

Assistant Examiner — Khawaja Anwar

(74) *Attorney, Agent, or Firm* — Vedder Price PC

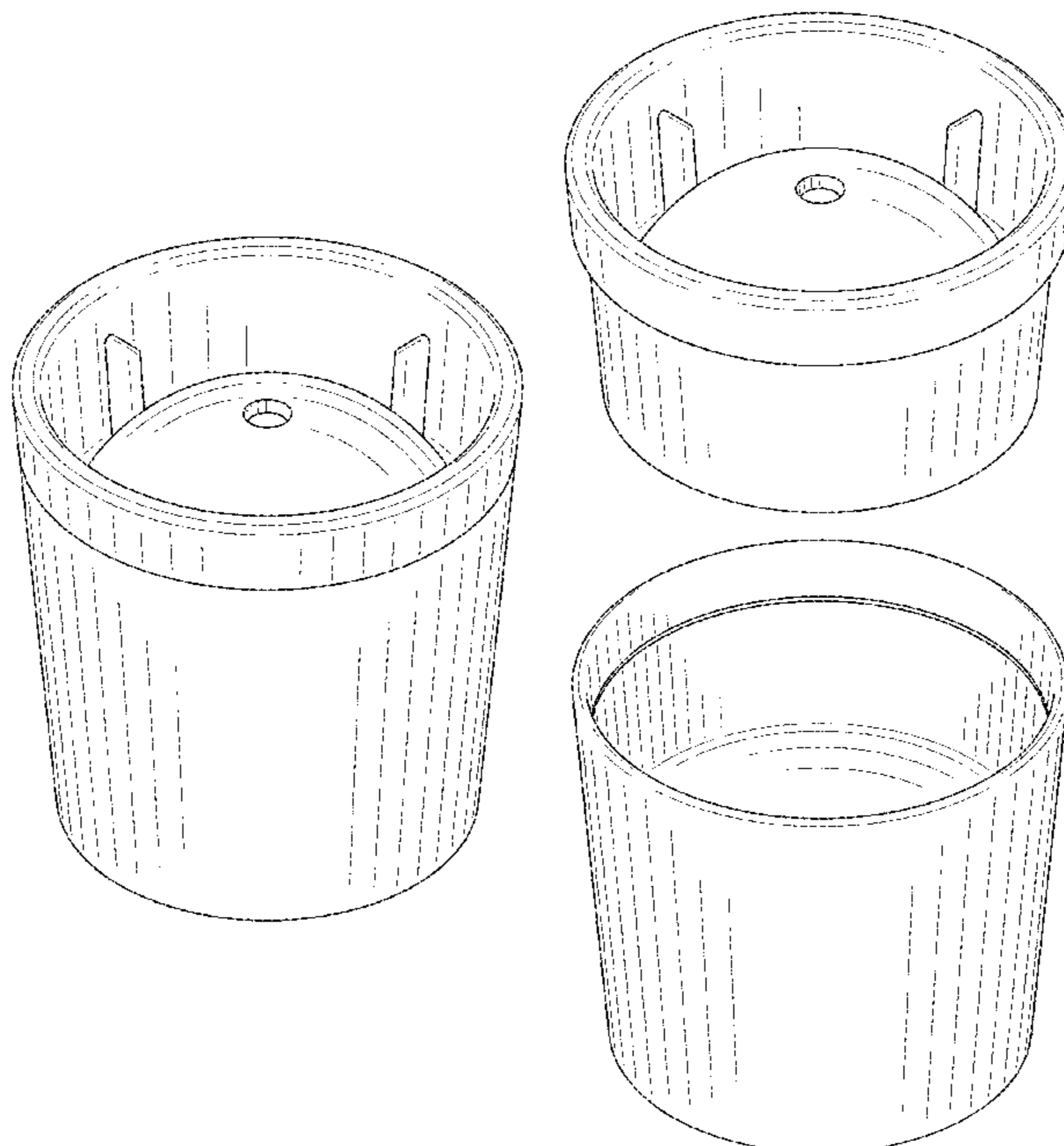
(57) **CLAIM**

The ornamental design for an ice maker, as shown and described.

DESCRIPTION

FIG. 1 is a perspective view of an ice maker in the status that an upper member is fitted to an lower member;
FIG. 2 is a front view thereof;
FIG. 3 is a plan view thereof;
FIG. 4 is a bottom view thereof;
FIG. 5 is a rear view thereof;
FIG. 6 is a sectional view thereof taken along line 6-6 of FIG. 2;
FIG. 7 is a sectional view thereof taken along line 7-7 of FIG. 2;
FIG. 8 is a front view of a lower member thereof;
FIG. 9 is a bottom view of the lower member thereof;
FIG. 10 is a plan view of the lower member thereof;
FIG. 11 is a sectional view thereof taken along line 11-11 of FIG. 8;
FIG. 12 is a front view of an upper member thereof;
FIG. 13 is a top view of the upper member thereof;
FIG. 14 is a bottom view of the upper member thereof;
FIG. 15 is a sectional view thereof taken along line 15-15 of FIG. 13;
FIG. 16 is a sectional view thereof taken along line 16-16 of FIG. 13; and,
FIG. 17 is a perspective view of the ice maker in the status that the upper member is separated from the lower member. The present invention is an ice maker to make a spherical ice block. When an upper member is vertically fitted to a lower member, a spherical space is formed inside of the ice maker. Water is poured into the spherical space, and then the ice maker is put in a freezer chamber. After the water is frozen, when the upper member is removed from the lower member, a spherical ice block can be taken out.

1 Claim, 10 Drawing Sheets



(58) **Field of Classification Search**

CPC 1/08; F25C 1/22; F25C 2305/022; F25C
2700/12; F25C 1/18; F25C 5/187; F25C
1/10; F25C 1/12; F25C 1/225; F25C
2400/02; F25C 2500/02; F25C 5/04;
F25C 5/06; F25C 2600/02; F25C
2700/02; F25C 5/18; F25C 1/16; F25C
1/20; F25C 1/24; F25C 2305/00; F25C
2400/04; F25C 2400/14; F25C 2700/04;
F25C 2700/06; F25C 3/00; F25C 5/02;
F25C 5/10; F25C 5/14; F25C 5/16; F25C
5/185

See application file for complete search history.

(56) **References Cited**

U.S. PATENT DOCUMENTS

D534,190	S	*	12/2006	Ball	D15/82
D552,633	S	*	10/2007	Volkan	D11/157
D654,934	S	*	2/2012	Cesarino	D15/90
D731,264	S	*	6/2015	Frank	D7/672
D733,769	S	*	7/2015	Zorovich	D15/82
D734,106	S	*	7/2015	Frank	D7/672
9,272,444	B2	*	3/2016	Zorovich	B29C 33/0038
D759,428	S	*	6/2016	Kehoe	D15/90
D772,311	S	*	11/2016	Bricker	D15/90
2009/0088273	A1	*	4/2009	Nardacci	A63B 37/0004 473/379
2010/0162577	A1	*	7/2010	Chen	B26D 7/2614 30/302

* cited by examiner

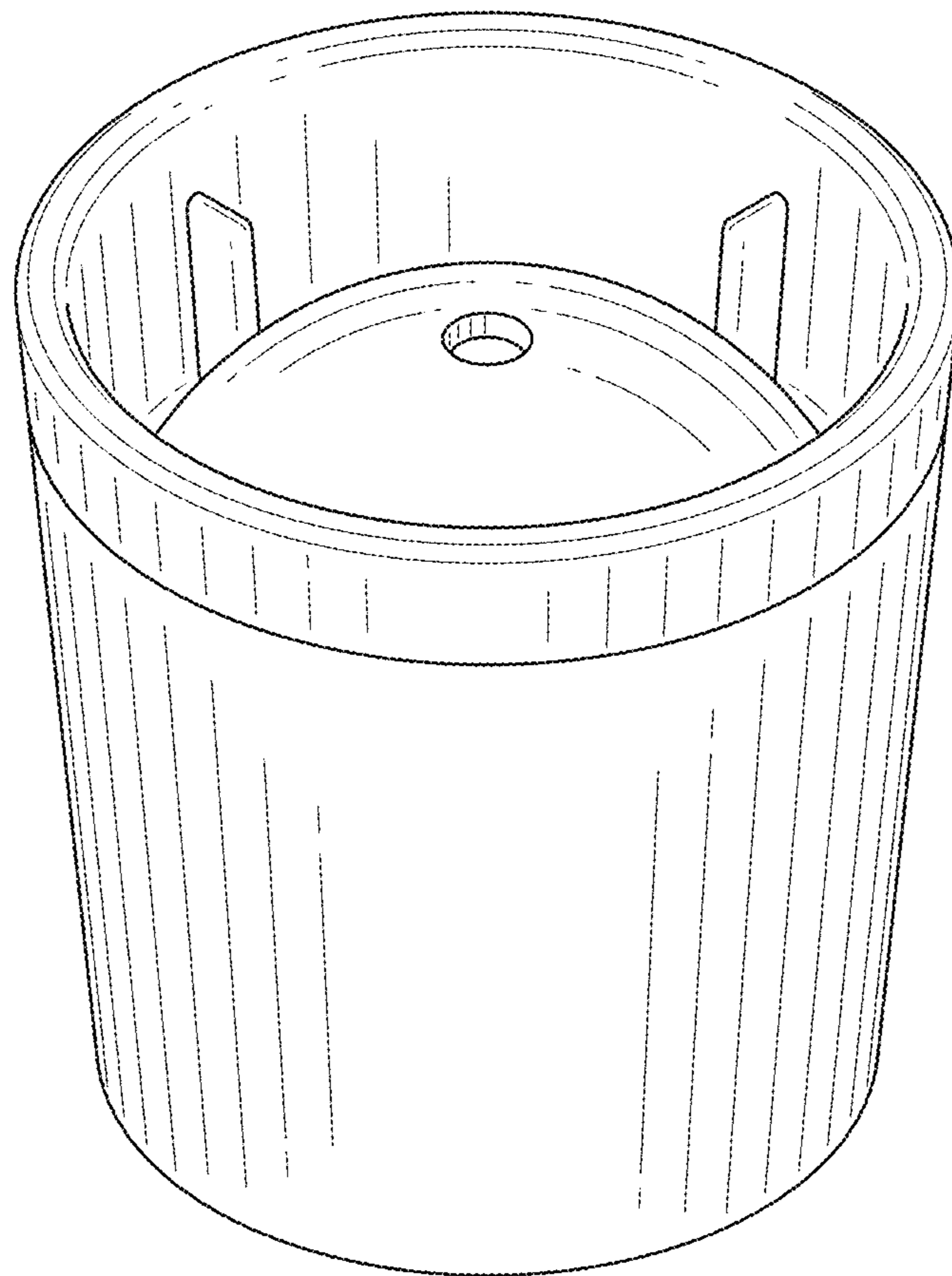


Fig.1

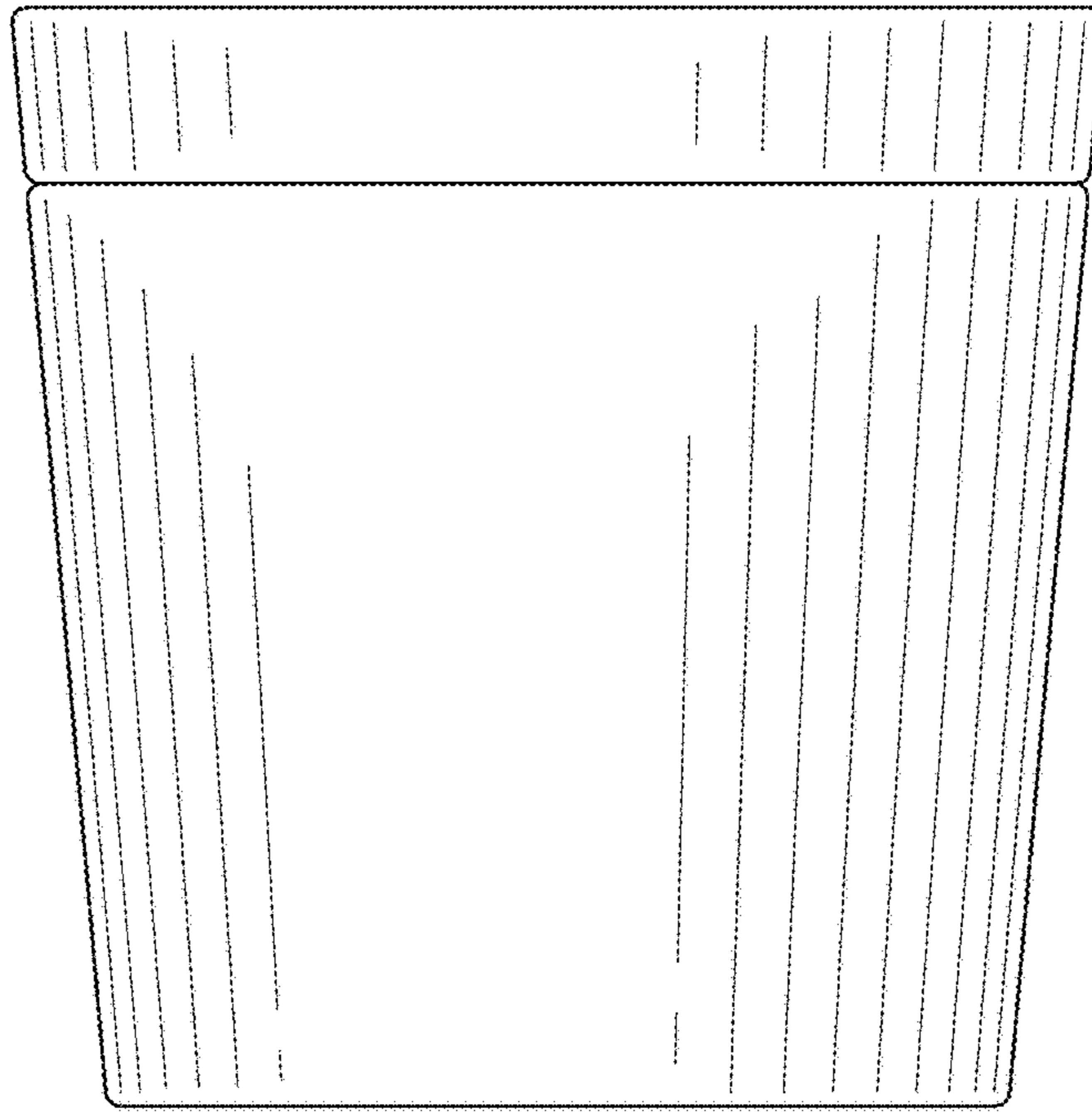


Fig.2

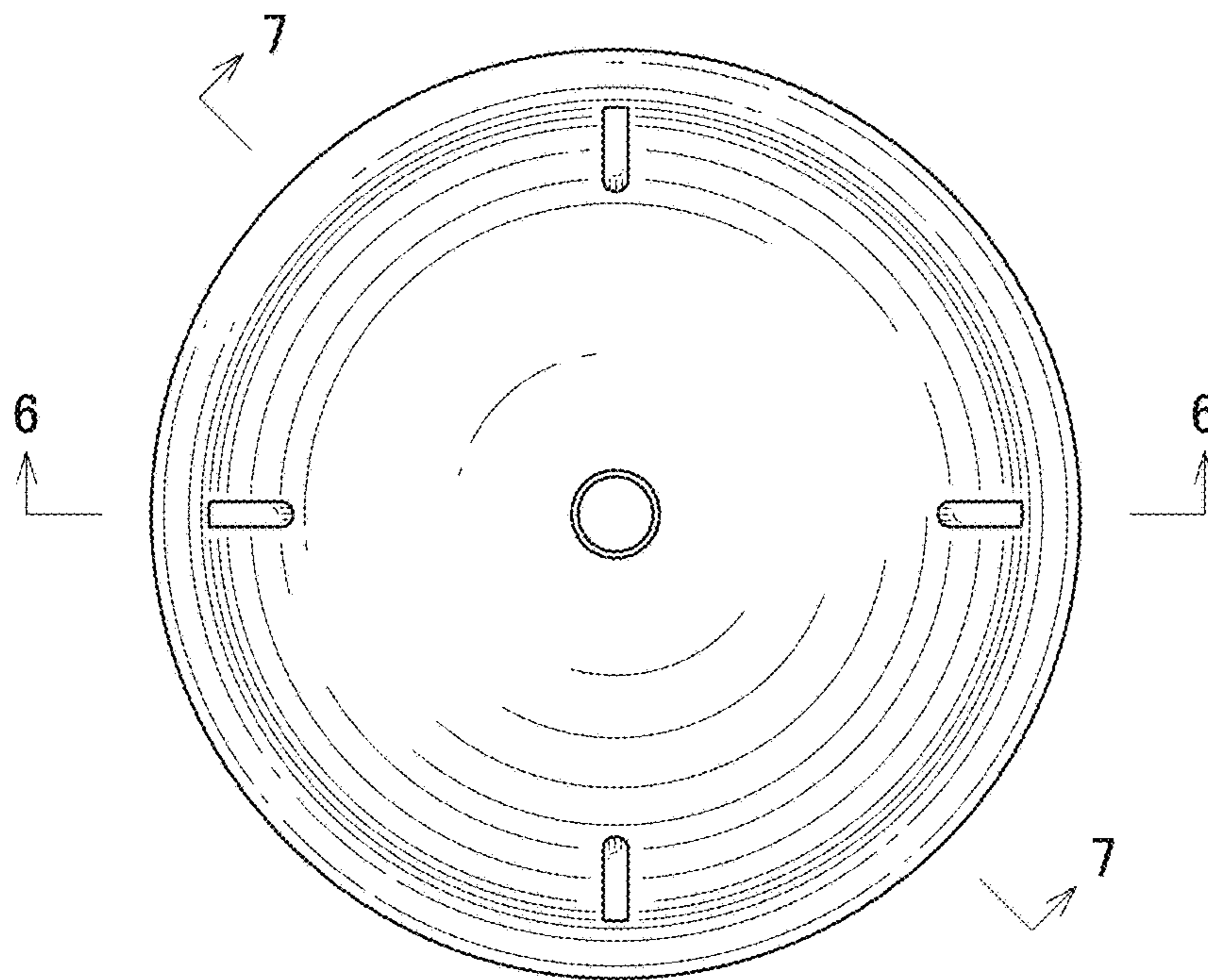


Fig.3

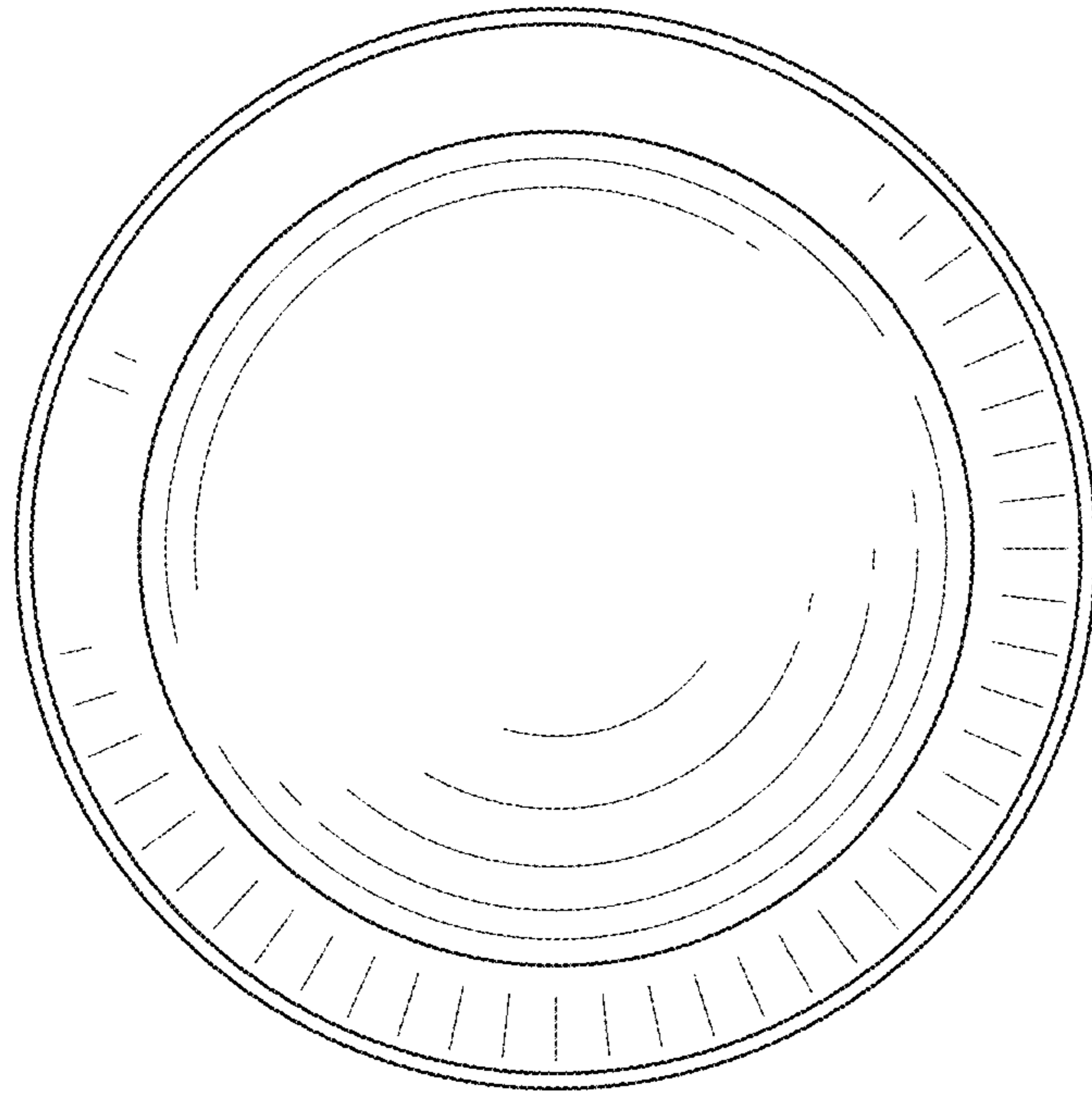


Fig.4

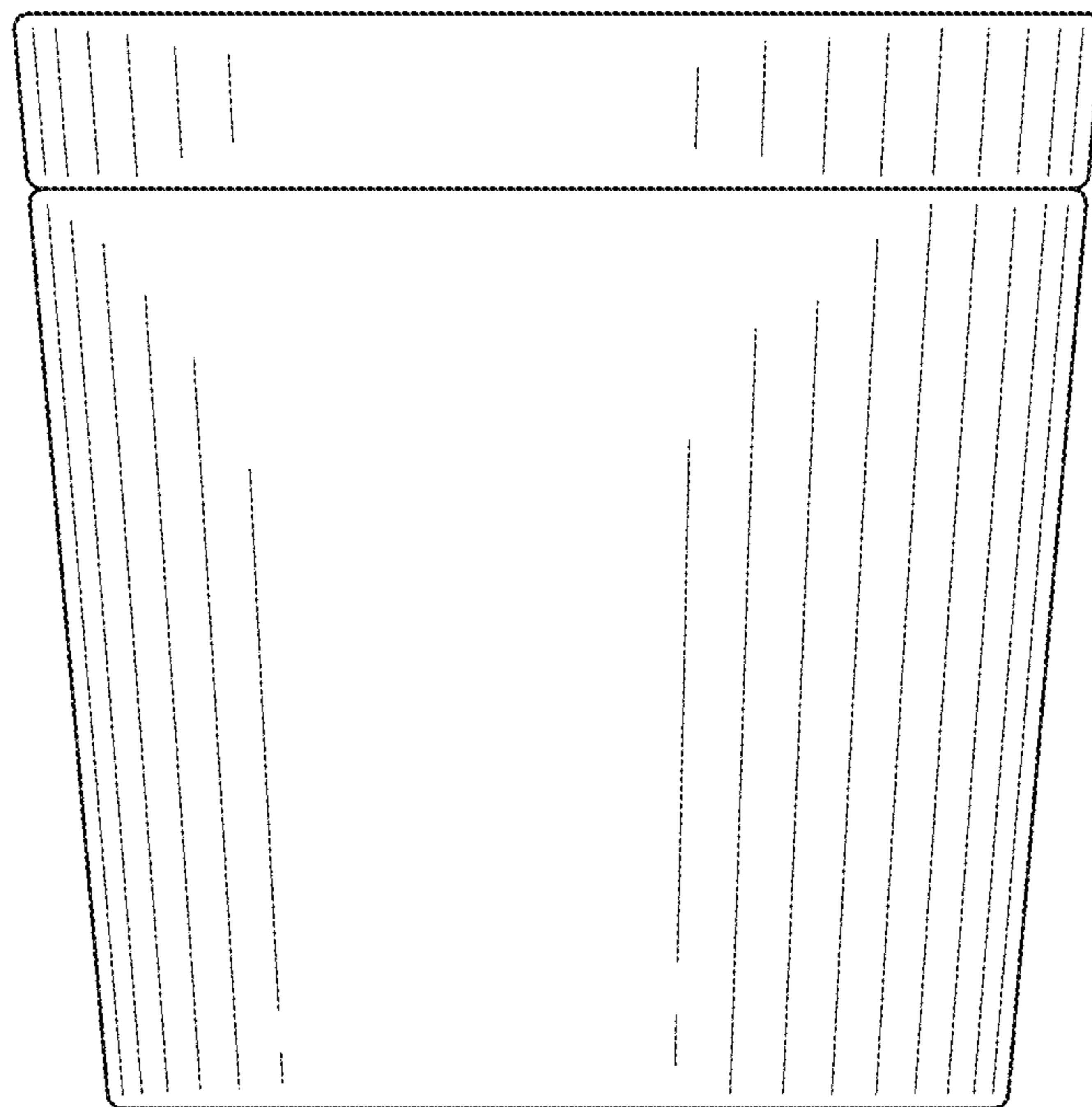


Fig.5

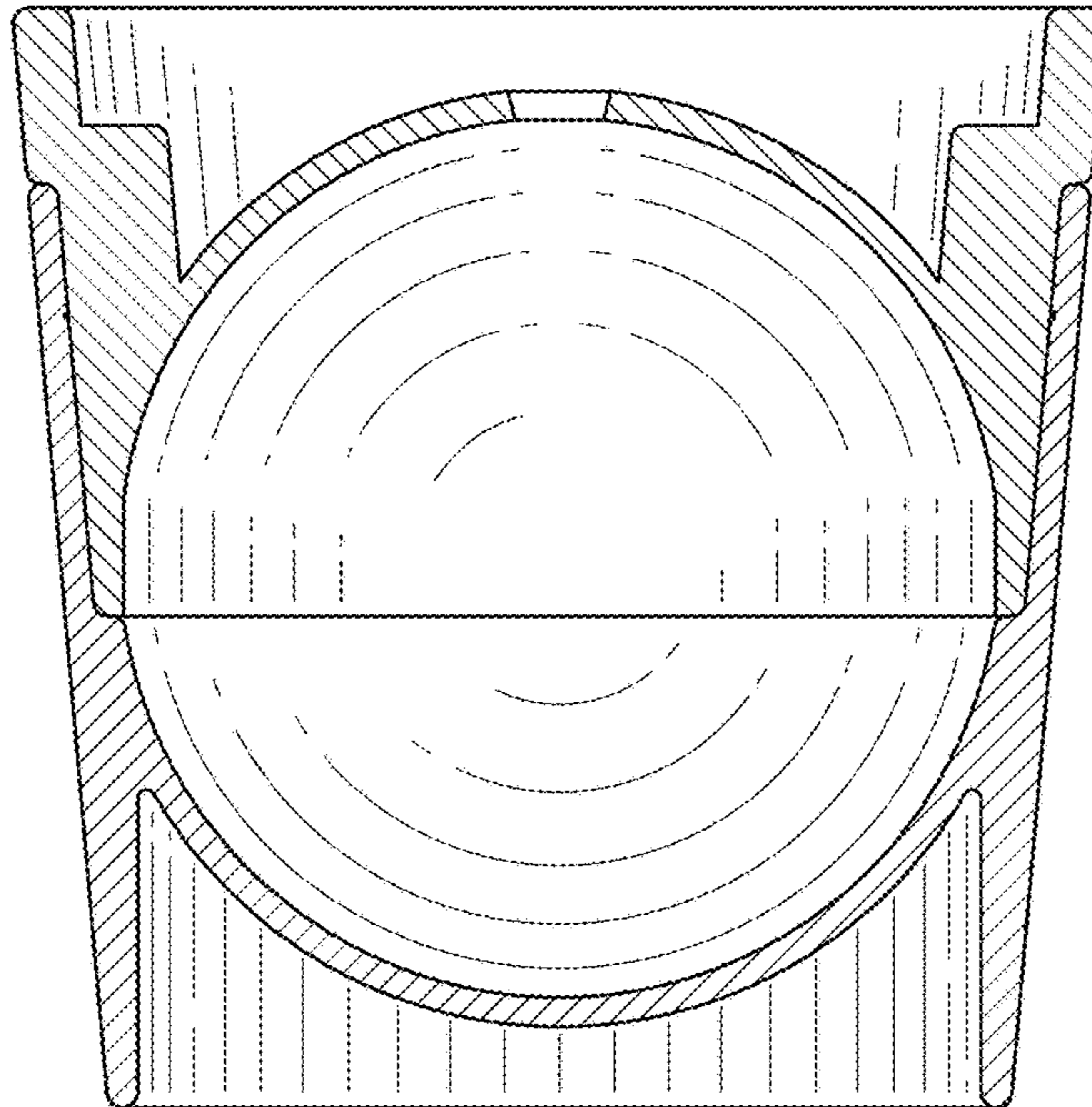


Fig.6

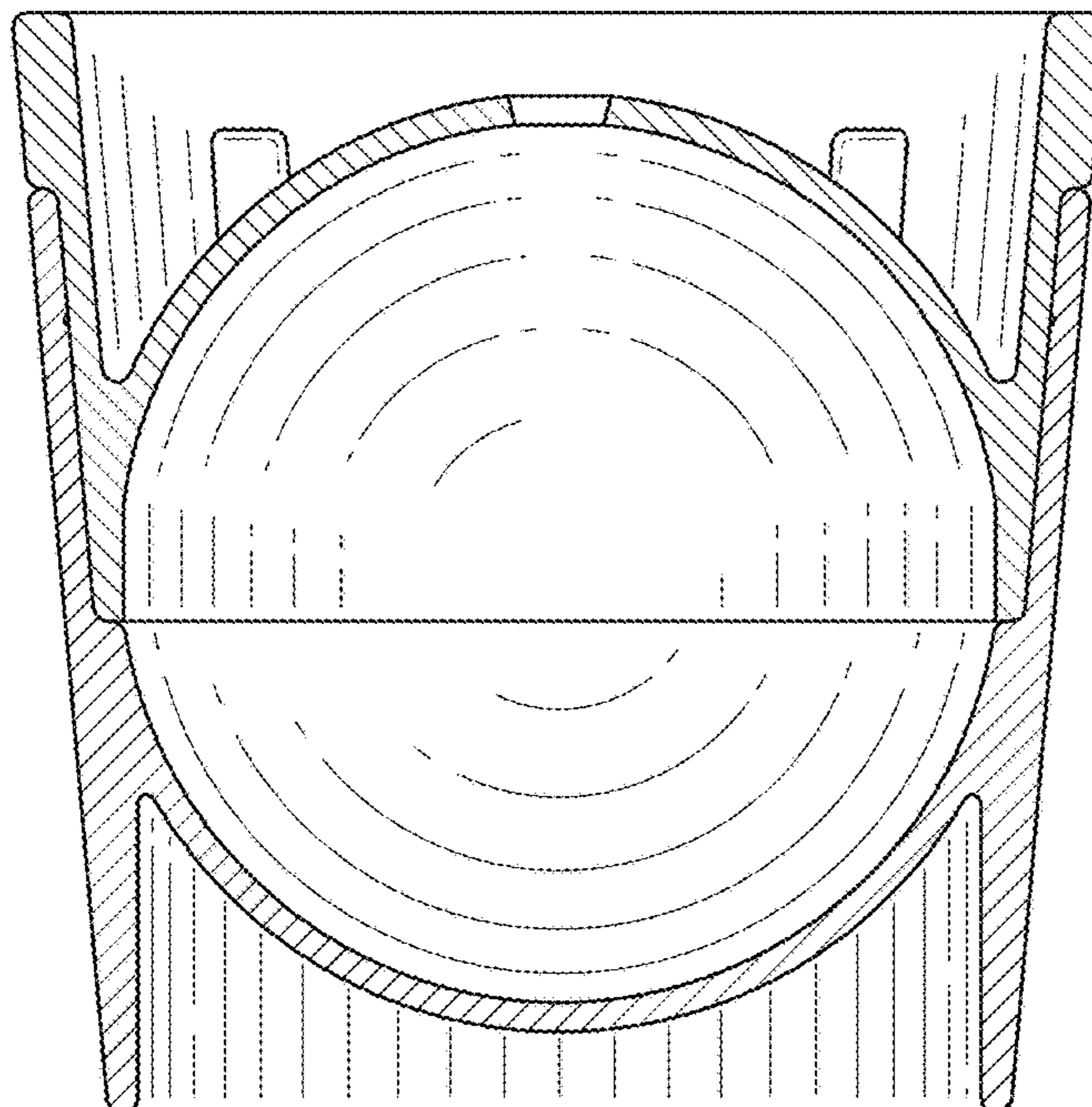
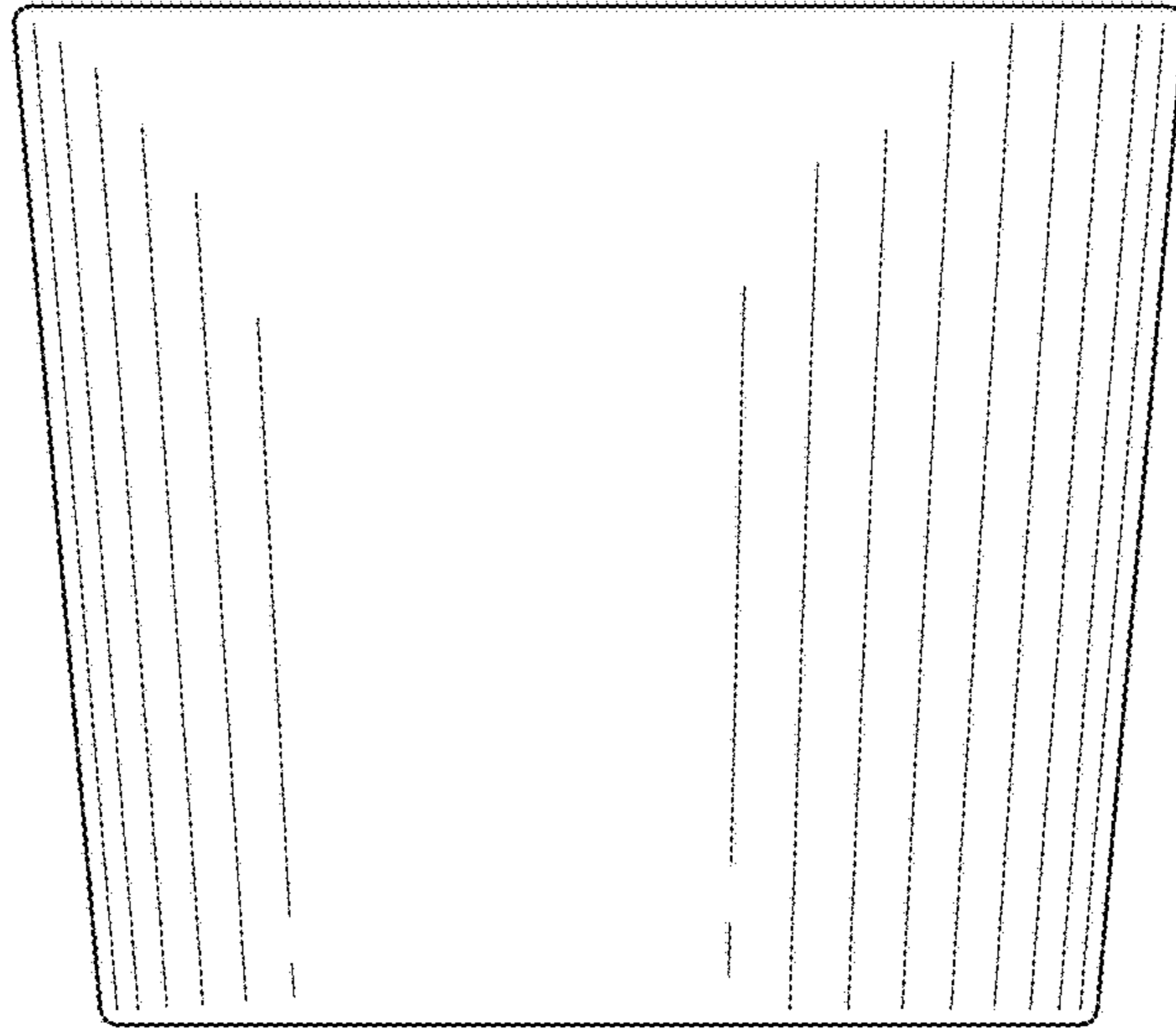


Fig.7

11 ←



11 ←

Fig.8

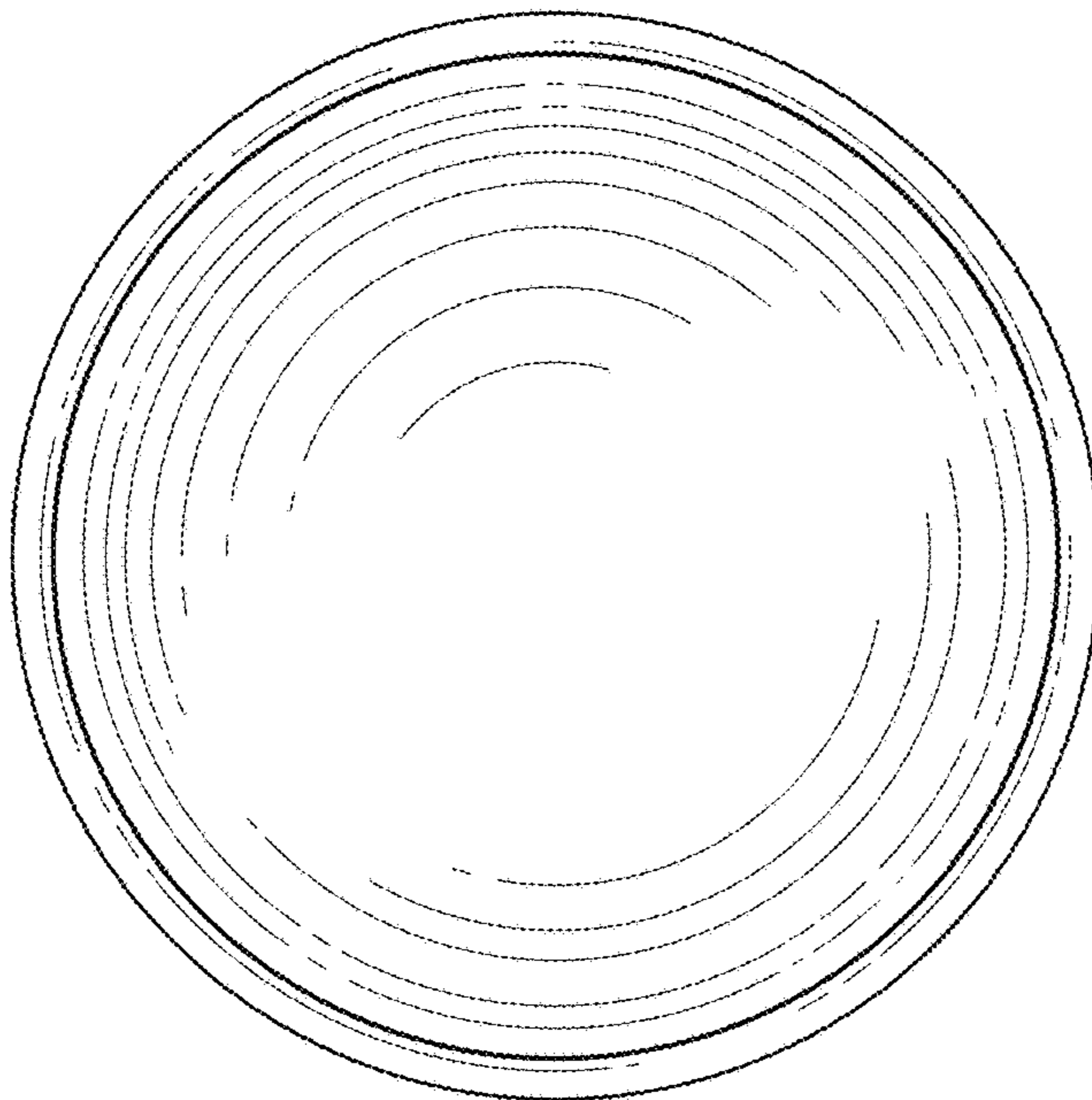


Fig.9

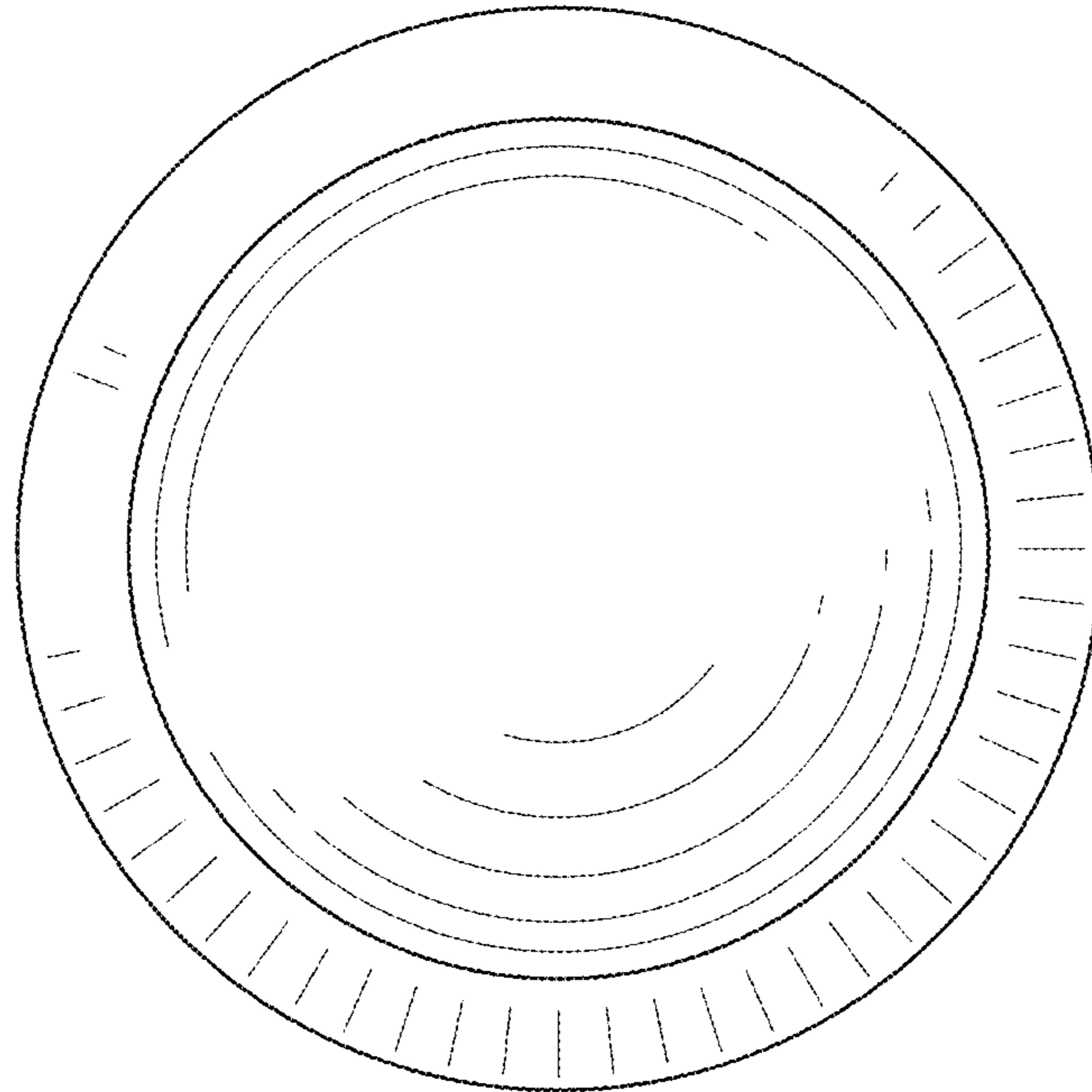


Fig.10

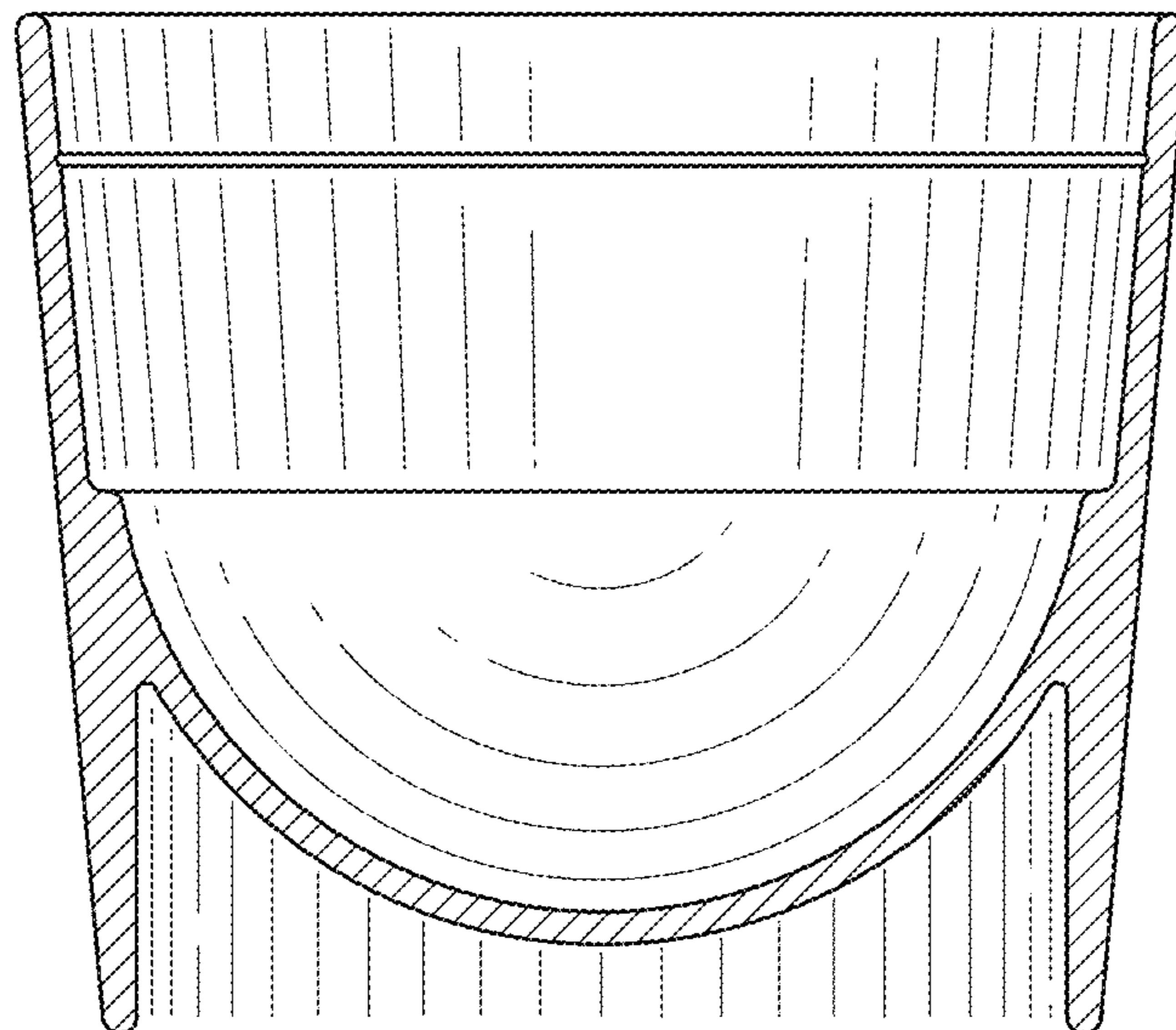


Fig.11

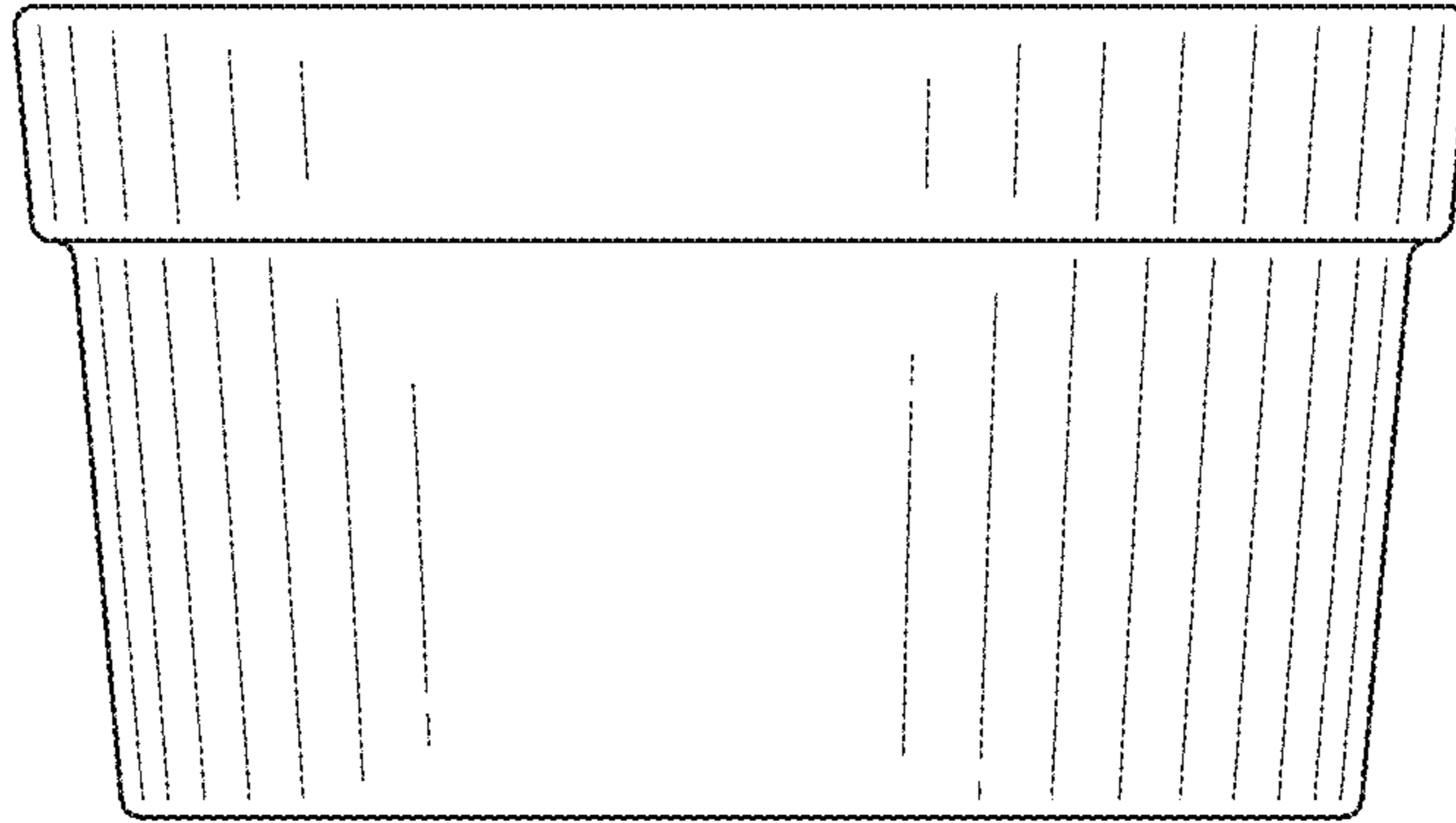


Fig.12

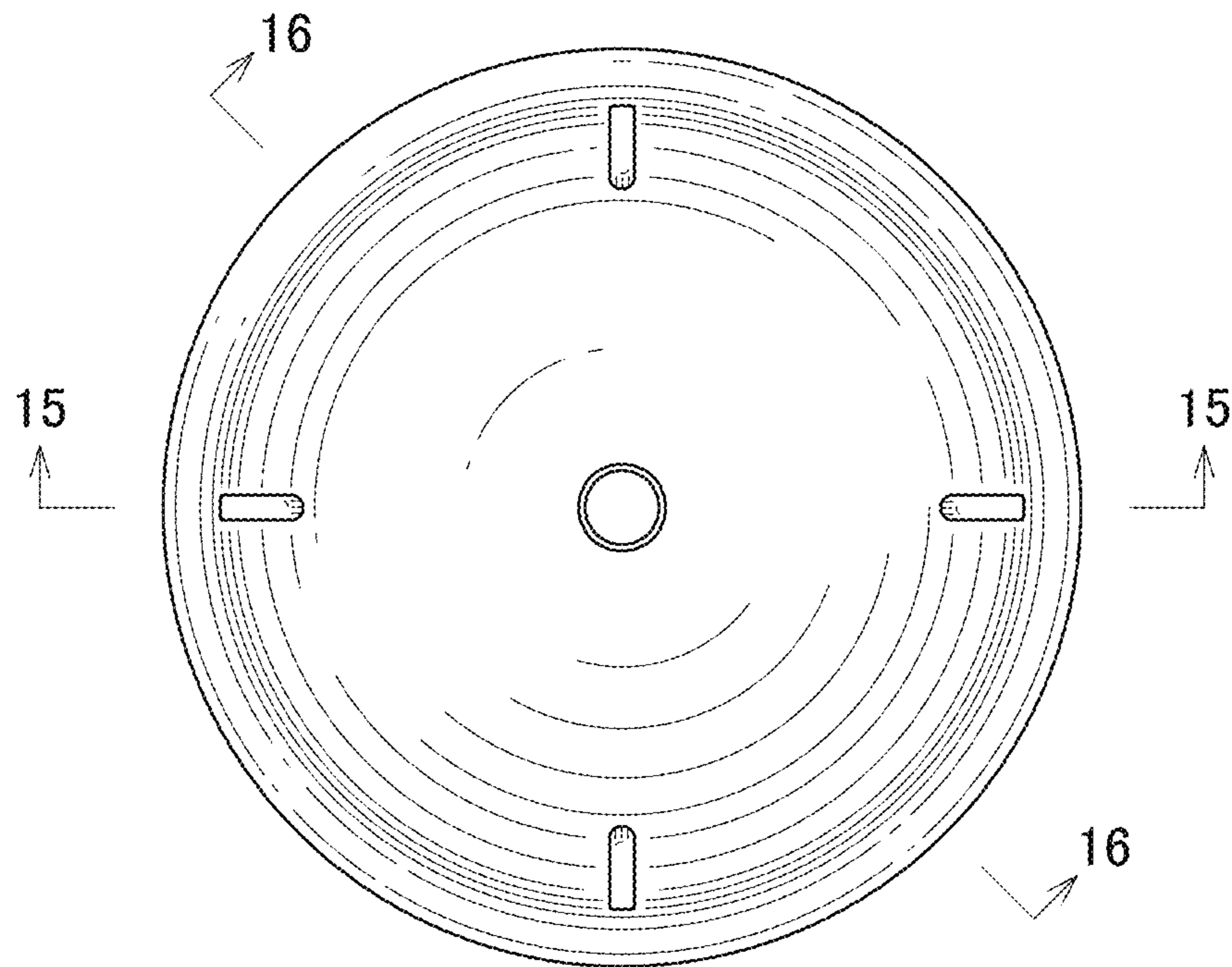


Fig.13

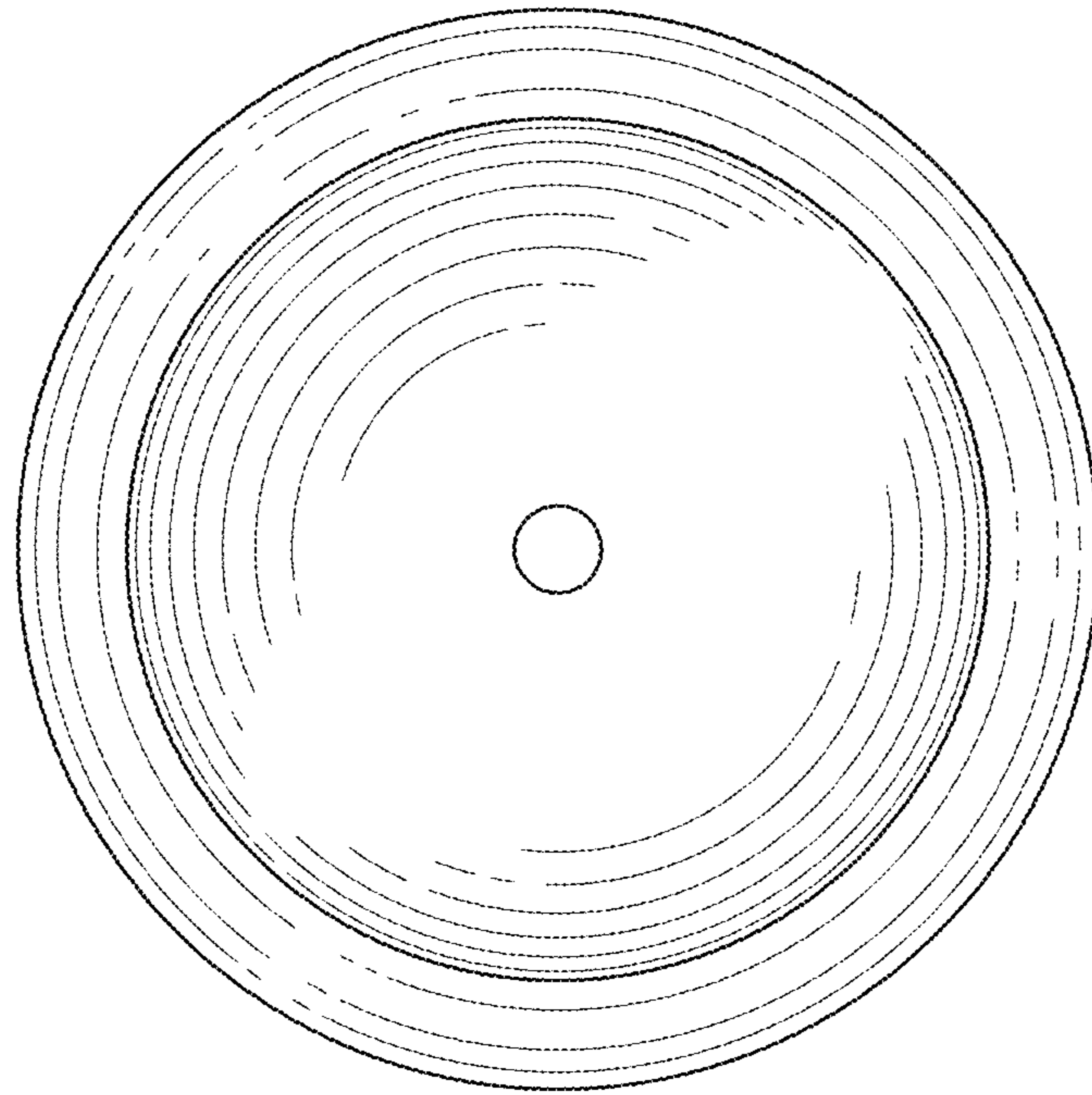


Fig.14

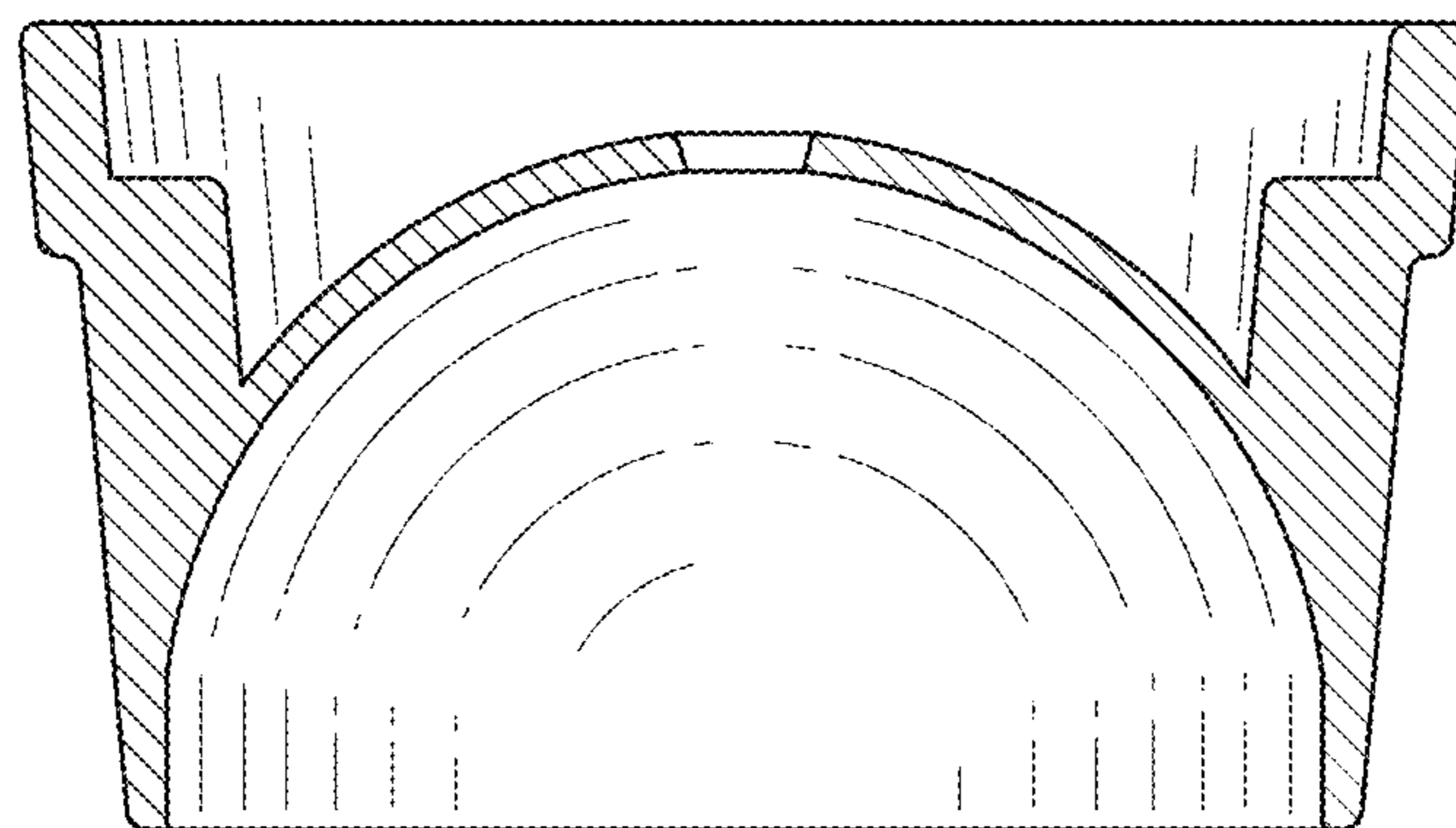


Fig.15

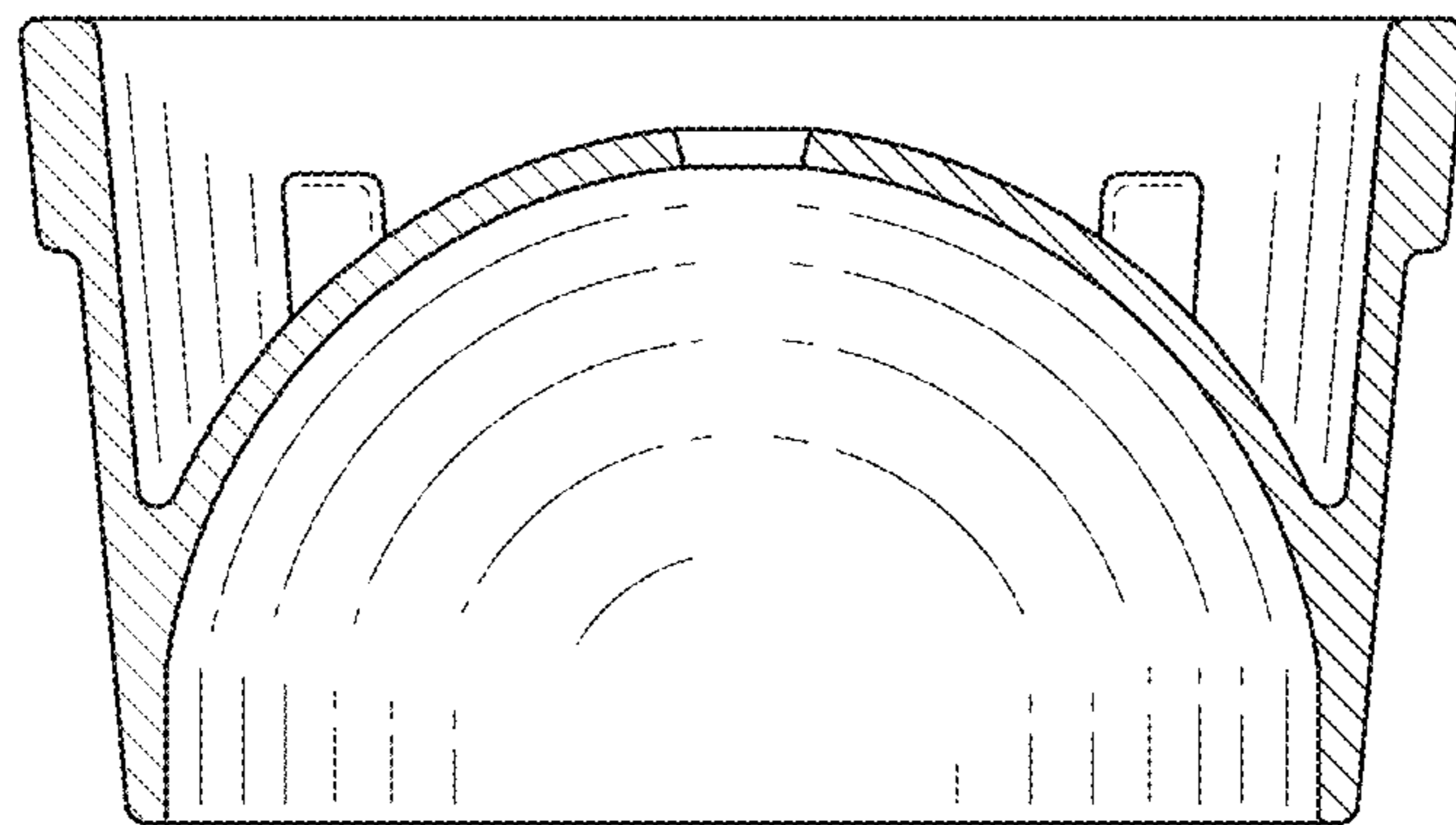


Fig.16

Fig.17

