



US00D781931S

(12) **United States Design Patent** (10) **Patent No.:** **US D781,931 S**
Sherman (45) **Date of Patent:** **** Mar. 21, 2017**

(54) **SINGLE SERVING BARREL CUBE MAKER**

(71) Applicant: **Beyond Zero, LLC**, Louisville, KY (US)

(72) Inventor: **Jason Sherman**, Louisville, KY (US)

(73) Assignee: **Beyond Zero, LLC**, Louisville, KY (US)

(**) Term: **15 Years**

(21) Appl. No.: **29/539,088**

(22) Filed: **Sep. 10, 2015**

(51) **LOC (10) Cl.** **15-07**

(52) **U.S. Cl.**
 USPC **D15/80**

(58) **Field of Classification Search**
 USPC .. D15/79, 80, 81, 82, 89, 90; D11/143, 144, D11/152; D7/509, 523, 396.6
 CPC F25B 21/02; F25B 2321/02; F25B 1/005; F25B 2321/0252; F25B 1/00; F25B 1/10; F25B 21/04; F25B 2339/047; F25B 5/02; F25B 7/00; F25B 13/00; F25B 1/053; F25B 2309/06; F25B 2321/021; F25B 2321/023; F25D 23/028; F25D 23/02; F25D 25/025; F25D 23/00; F25D 2323/021; F25D 11/00; F25D 2323/024; F25D 23/04; F25D 29/00; F25D 25/02; F25D 25/024; F25D 27/005; F25D 23/12; F25D 29/005; F25D 17/042; F25D 2325/021

See application file for complete search history.

(56) **References Cited**

U.S. PATENT DOCUMENTS

D604,340 S *	11/2009	Kim	D15/81
D740,862 S *	10/2015	Park	D15/89
D748,688 S *	2/2016	Sherman	D15/80
D751,125 S *	3/2016	Kim	D15/89
D756,426 S *	5/2016	Seo	D15/89
D757,128 S *	5/2016	Seo	D15/89

OTHER PUBLICATIONS

“Beyond zero”, retrieved from the Internet: www.bzice.com, Aug. 18, 2015.

* cited by examiner

Primary Examiner — Daniel Bui
Assistant Examiner — Khawaja Anwar
 (74) *Attorney, Agent, or Firm* — Christopher & Weisberg, P.A.

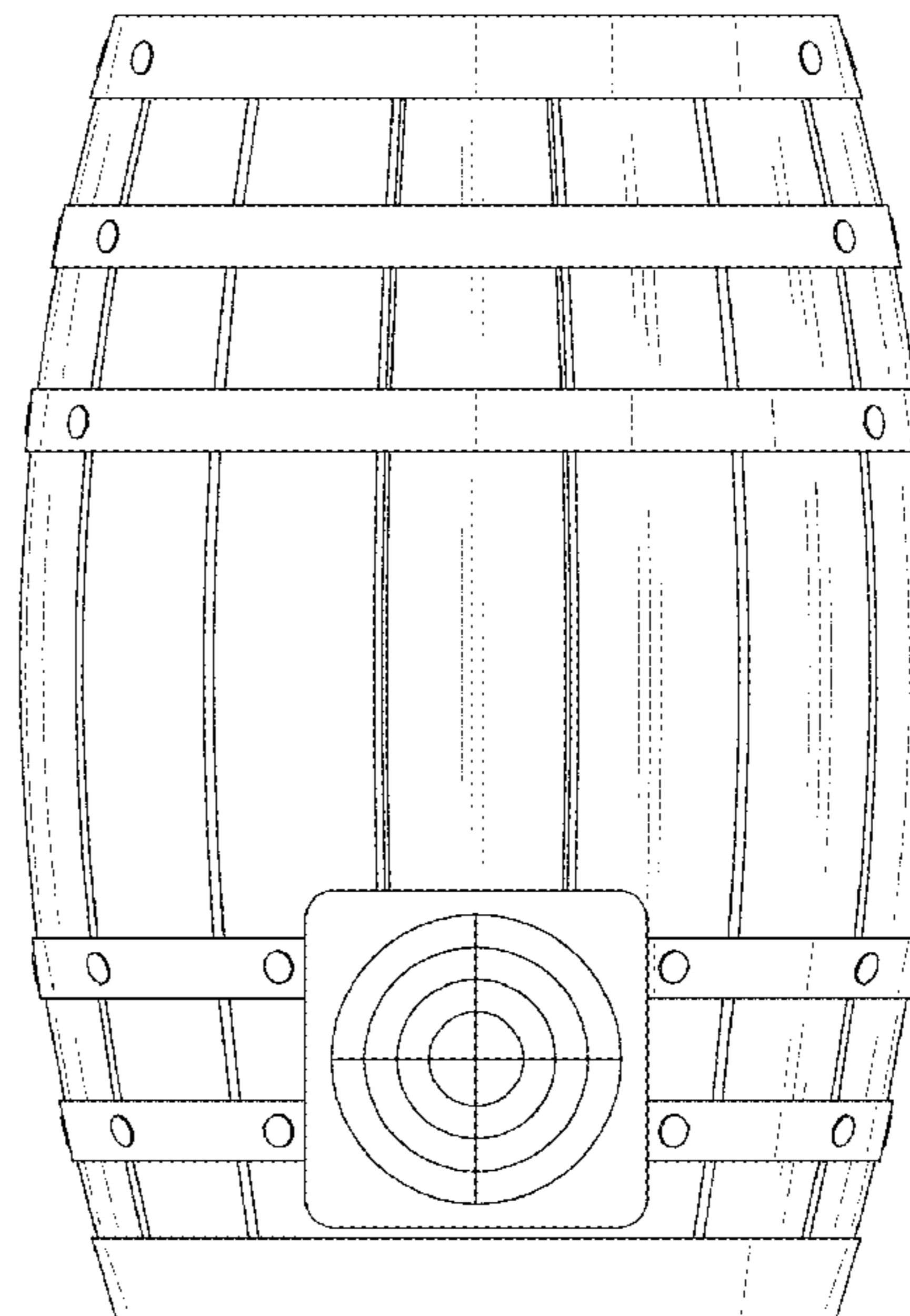
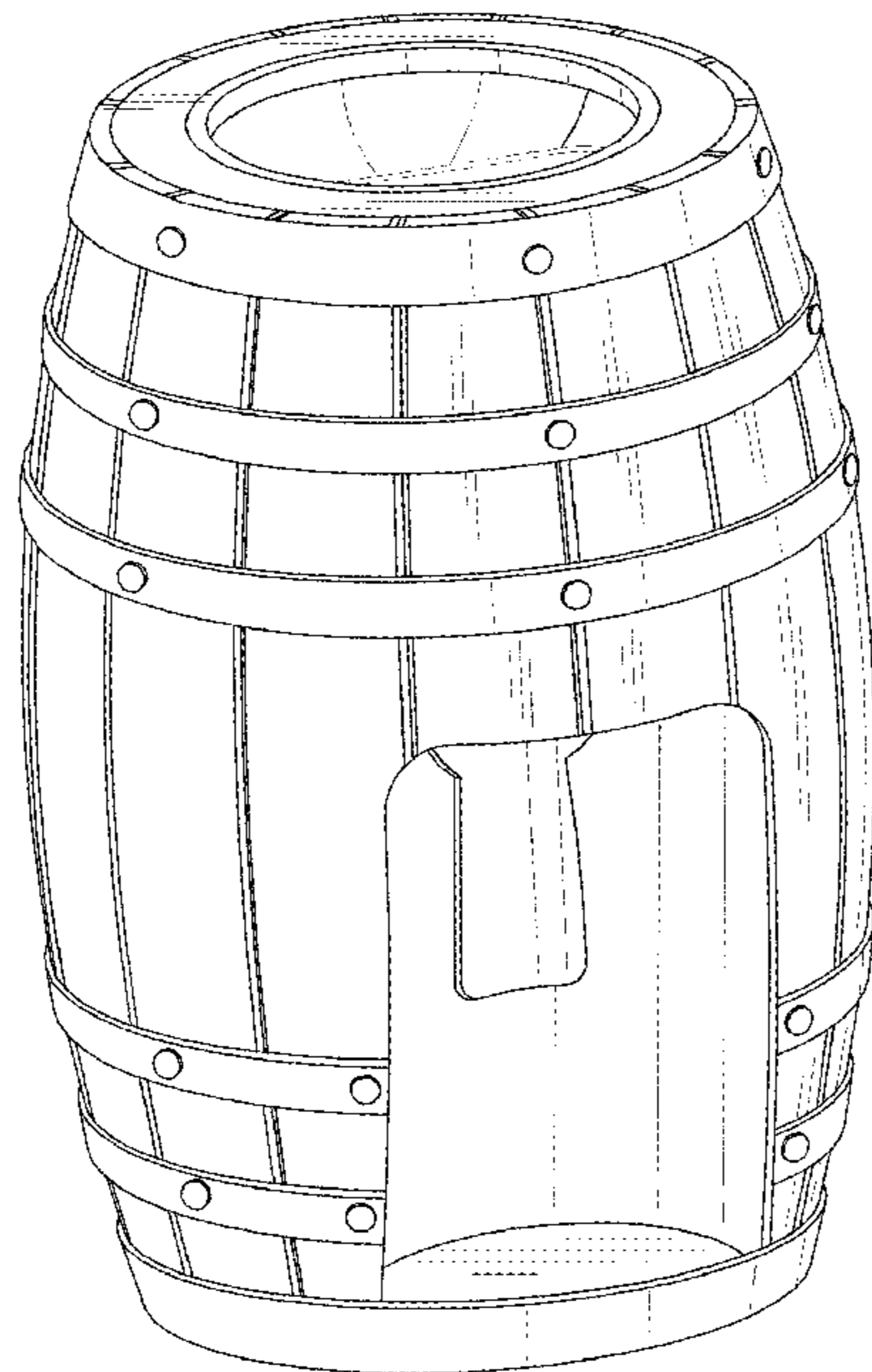
(57) **CLAIM**

The ornamental design for a single serving barrel cube maker, as shown and described.

DESCRIPTION

FIG. 1 is a perspective view of a single barrel cube maker, showing my new design;
 FIG. 2 is a front elevation view thereof;
 FIG. 3 is a rear elevation view thereof;
 FIG. 4 is a right side elevation view thereof;
 FIG. 5 is a left side elevation view thereof;
 FIG. 6 is a top plan view thereof; and,
 FIG. 7 is bottom plan view thereof.
 The dash-dash broken lines form no part of the claimed design.

1 Claim, 7 Drawing Sheets



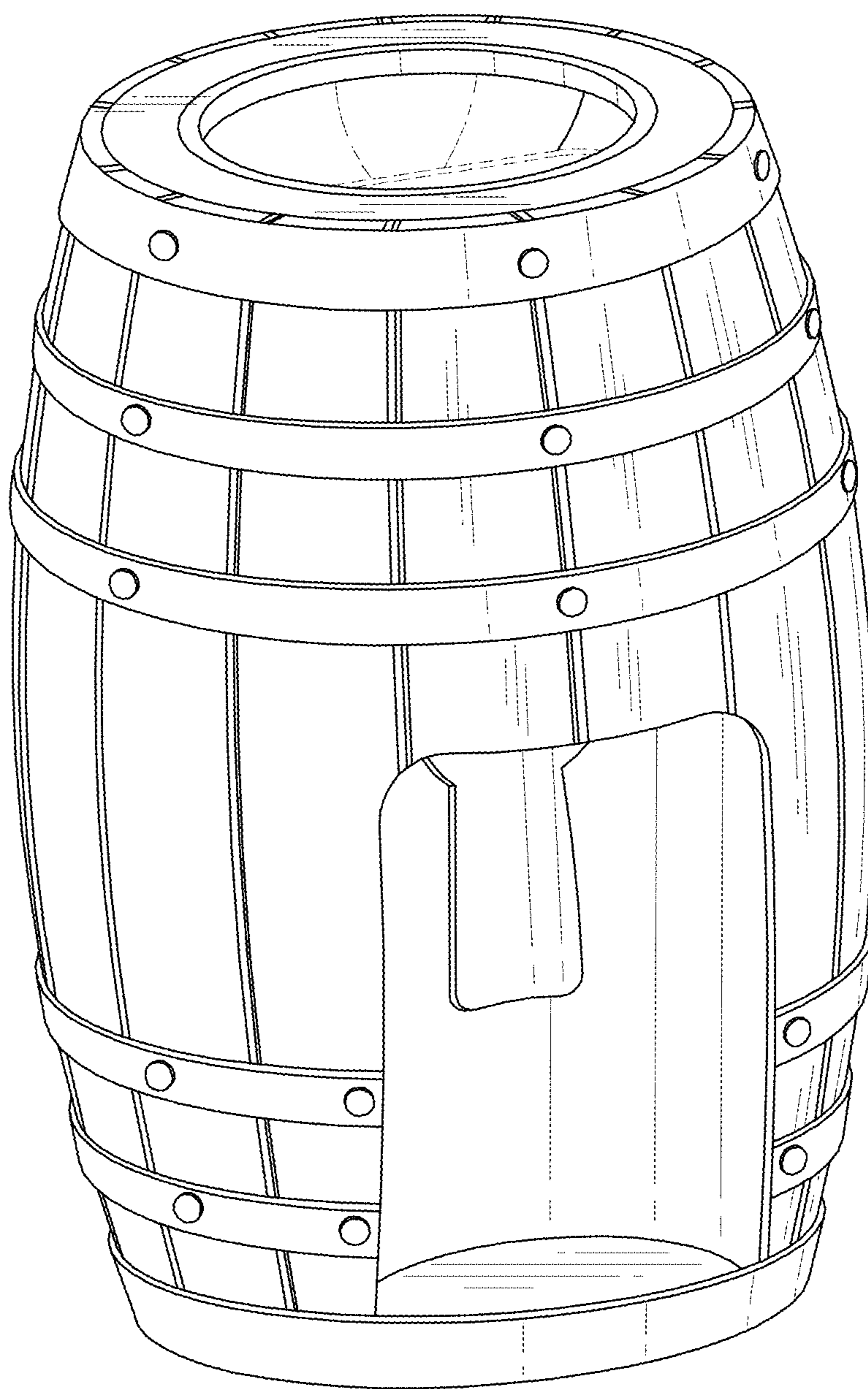


FIG. 1

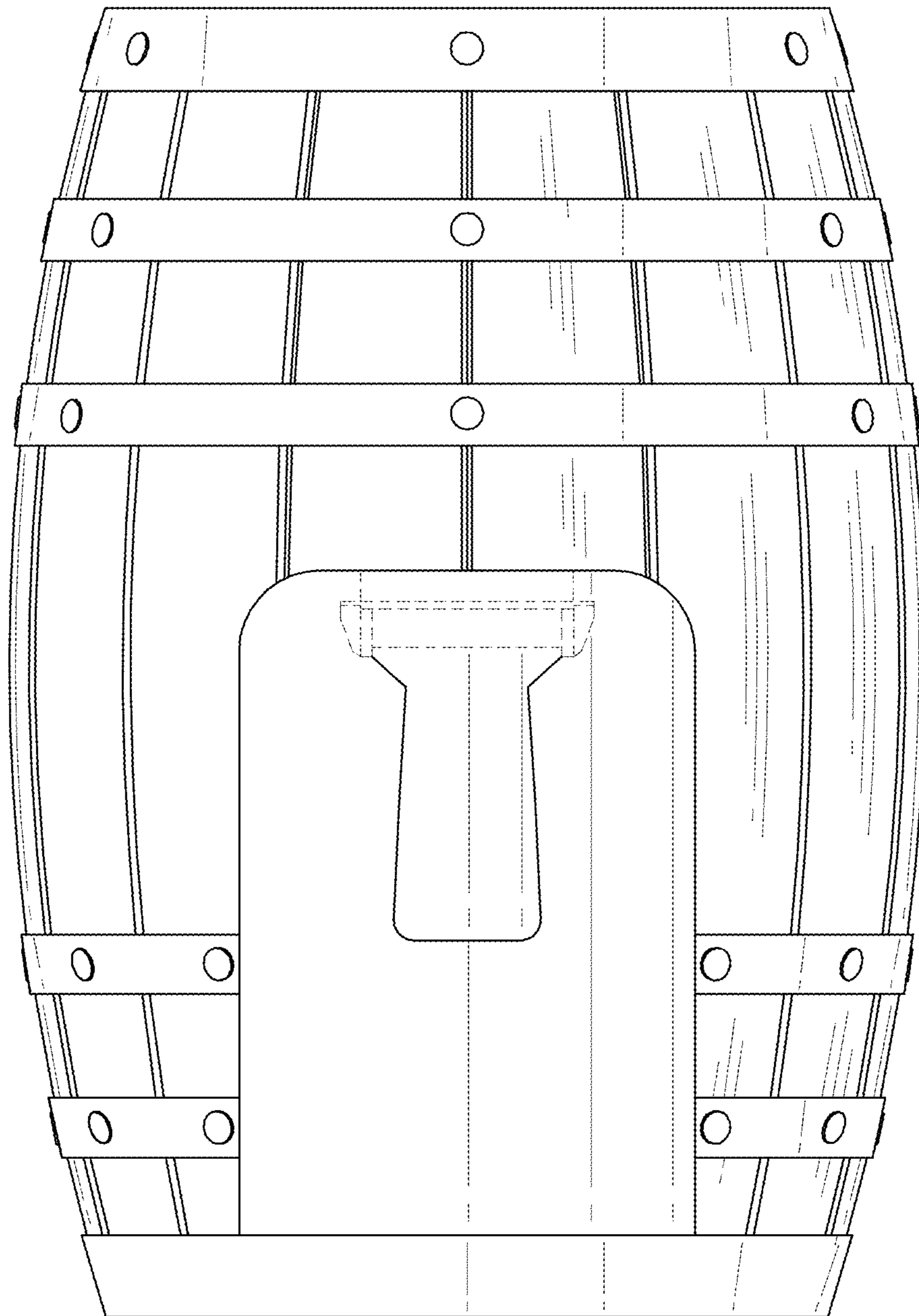


FIG. 2

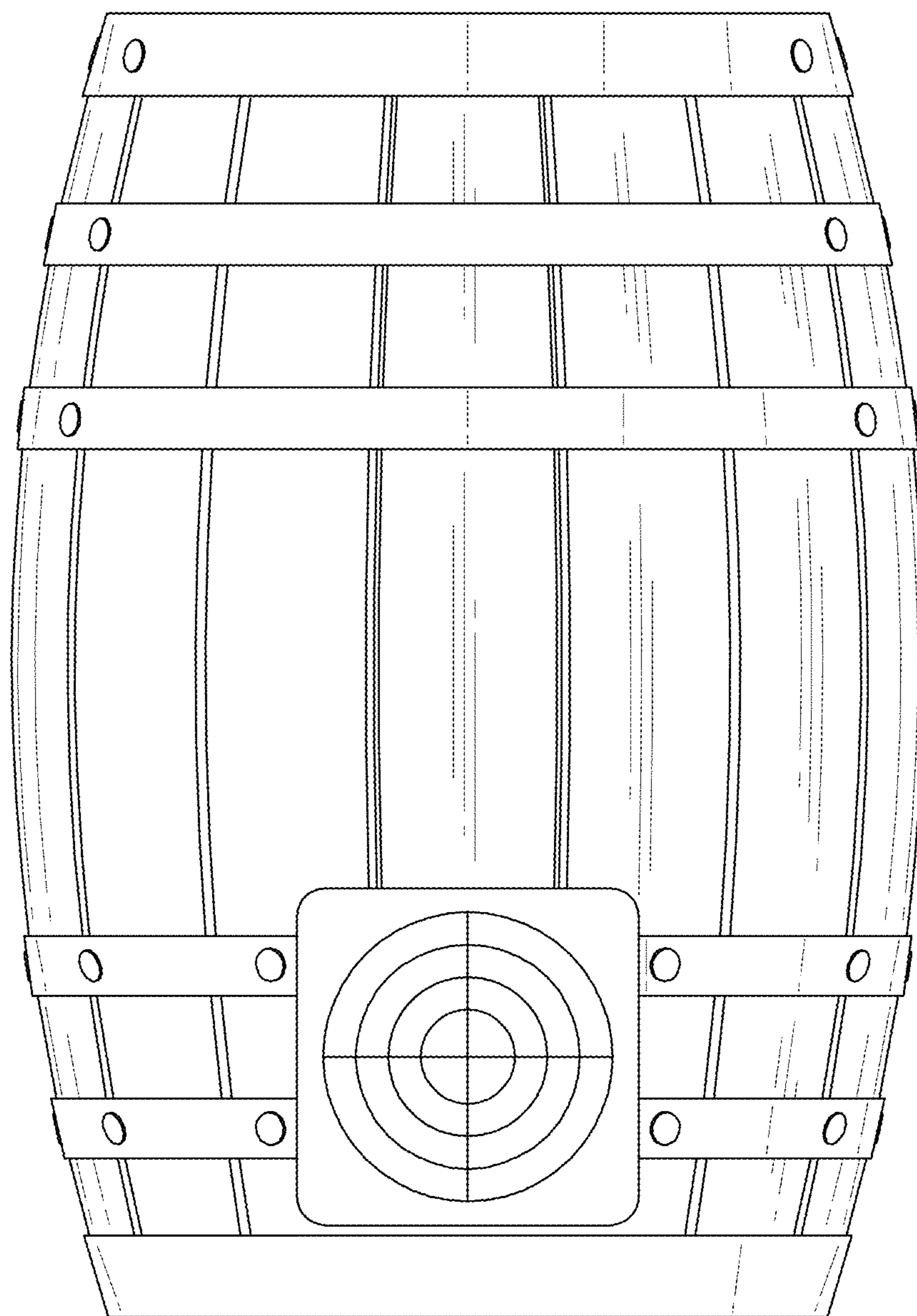


FIG. 3

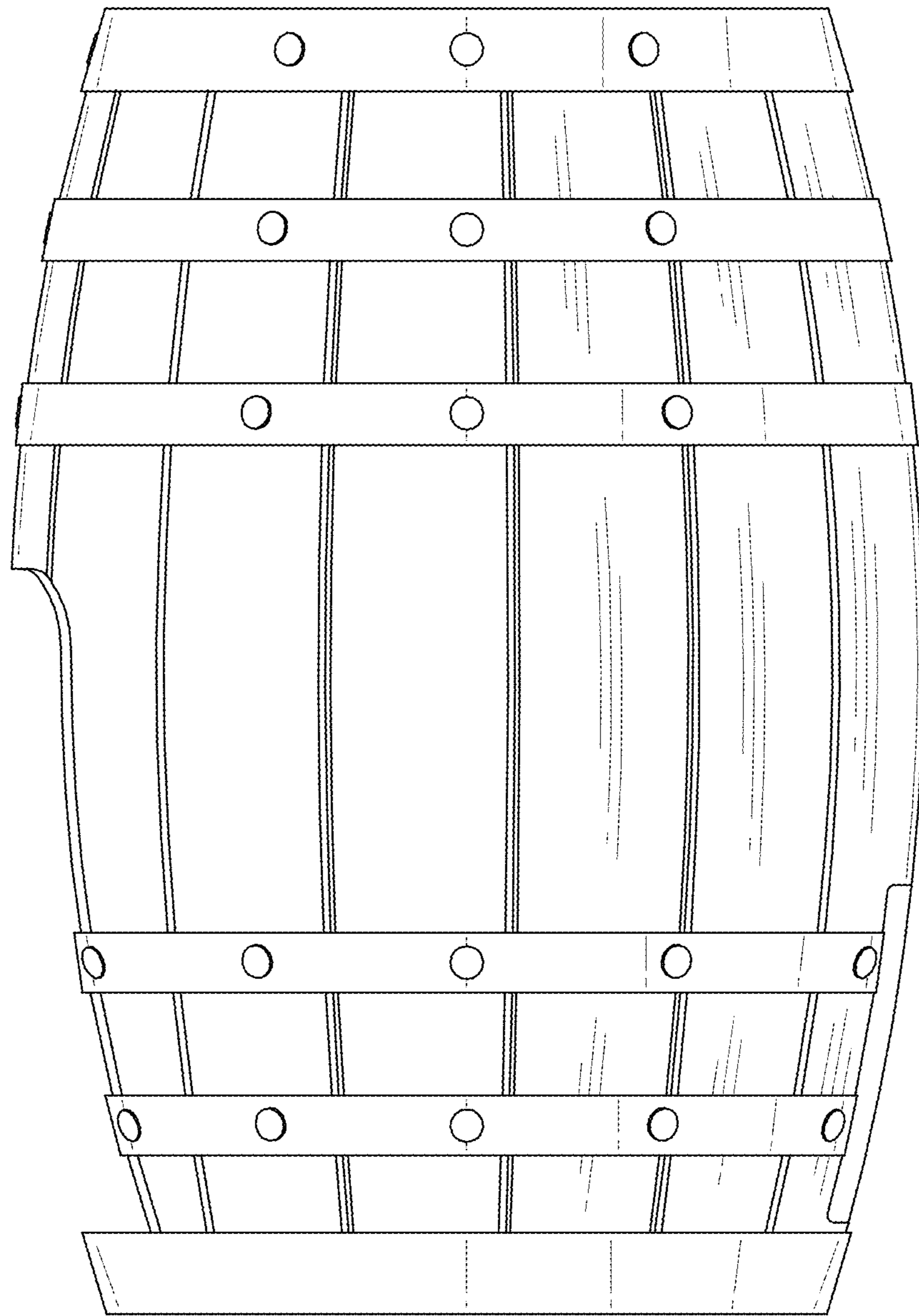


FIG. 4

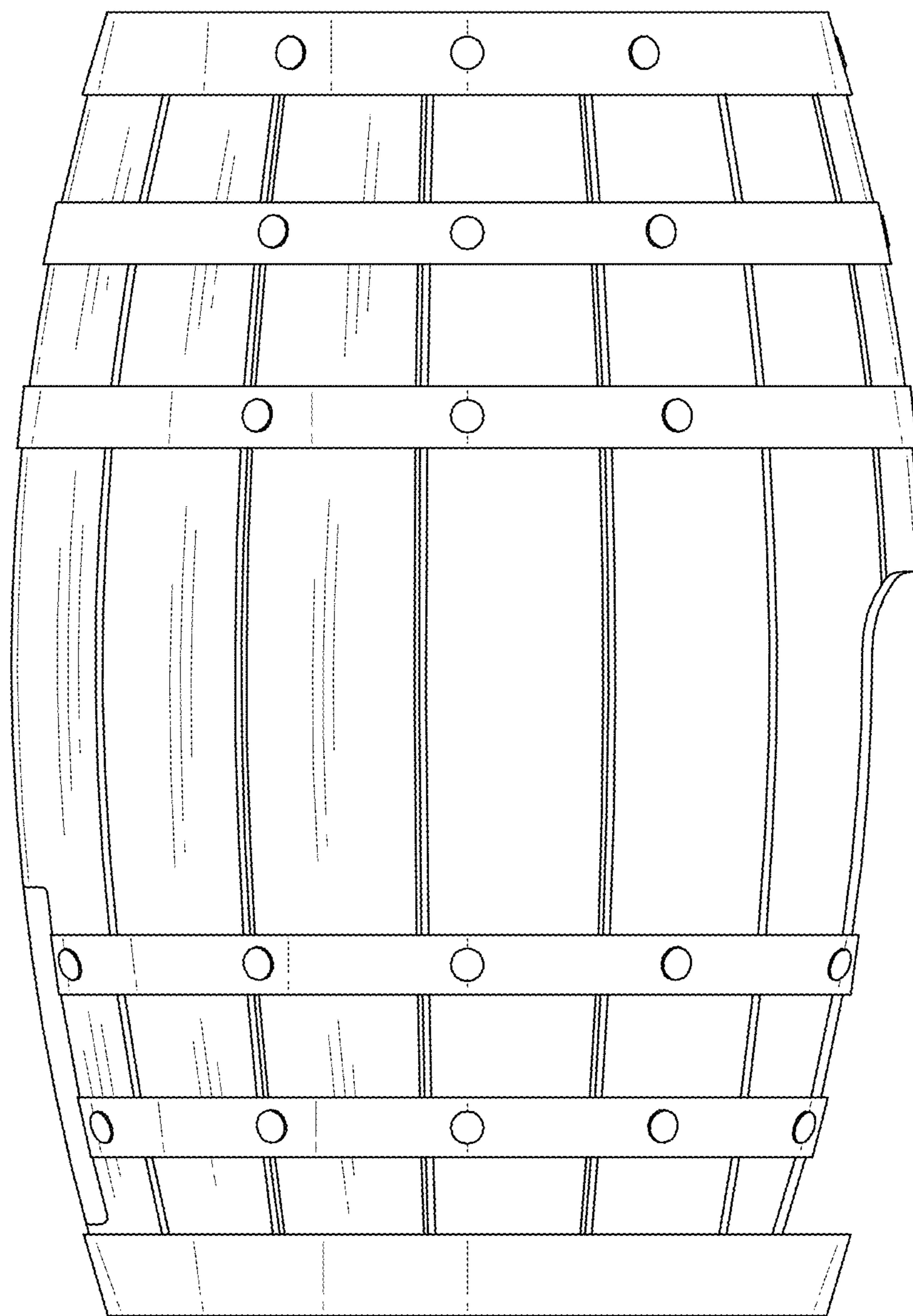


FIG. 5

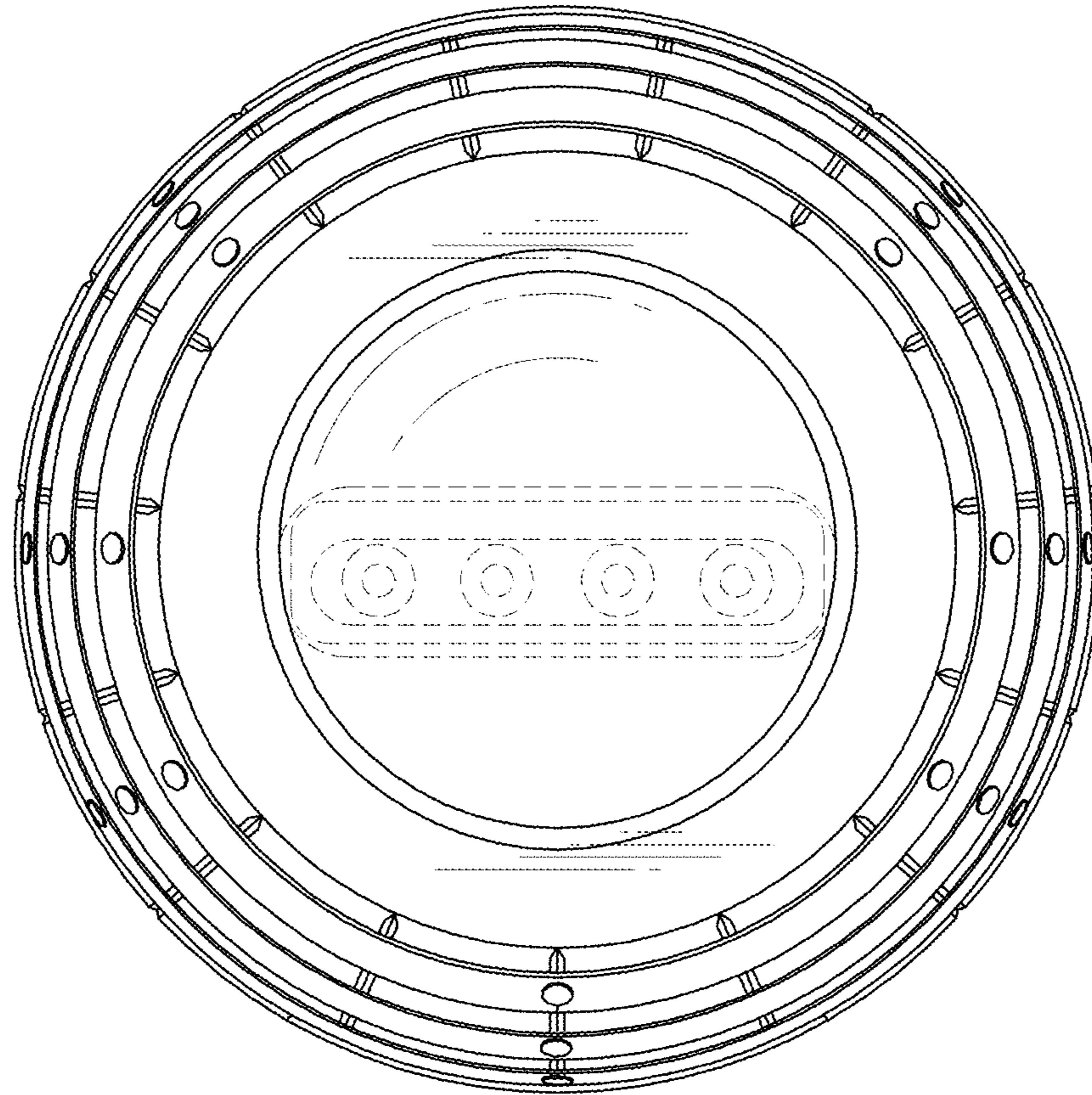


FIG. 6

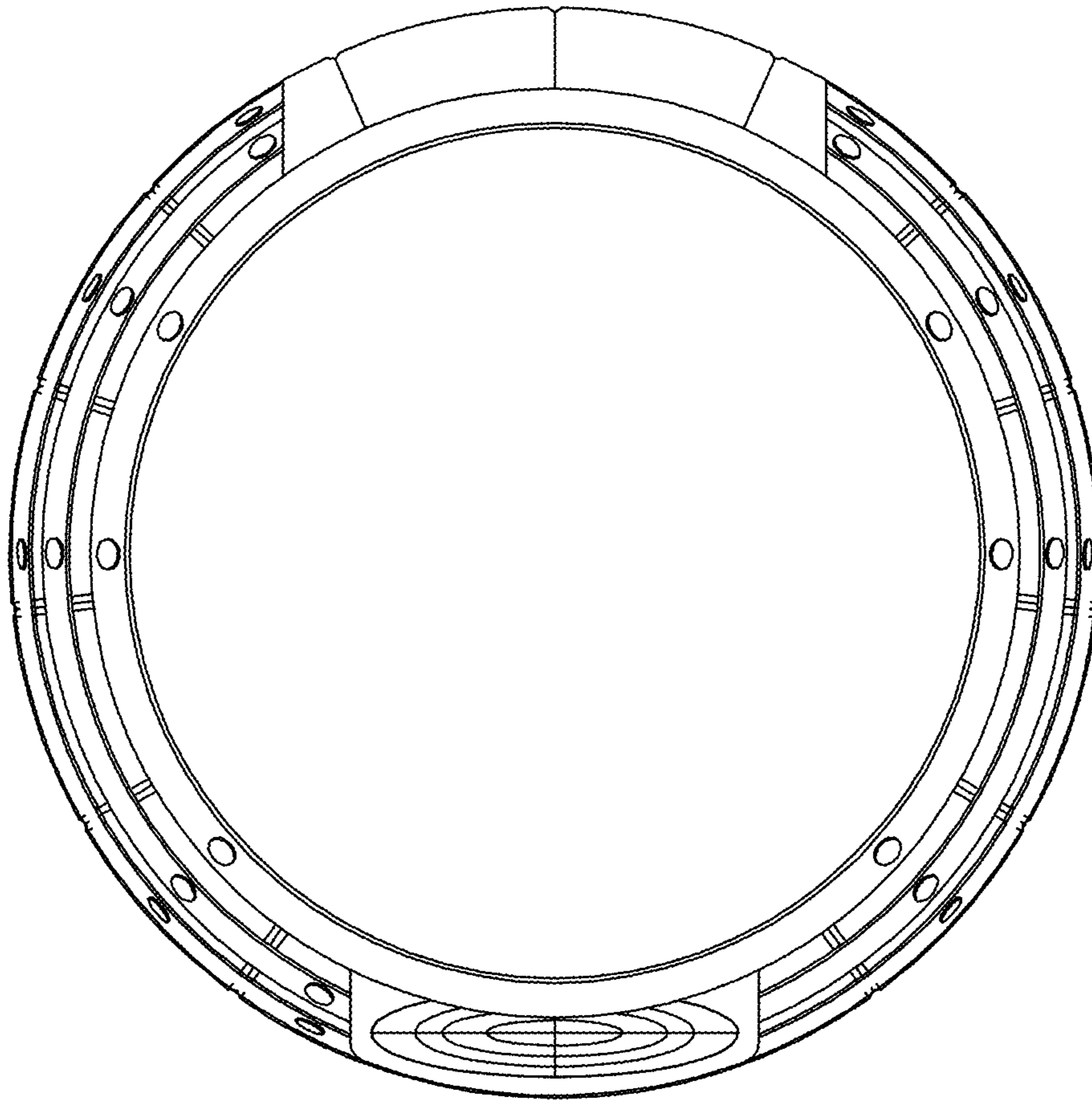


FIG. 7