



US00D781930S

(12) **United States Design Patent**  
**Ward**

(10) **Patent No.:** **US D781,930 S**

(45) **Date of Patent:** **\*\* Mar. 21, 2017**

(54) **ICE MAKER APPLIANCE**

(71) Applicant: **General Electric Company,**  
Schenectady, NY (US)

(72) Inventor: **Jarvis Ward,** Louisville, KY (US)

(73) Assignee: **Haier U.S. Appliance Solutions, Inc.,**  
Wilmington, DE (US)

(\*\*) Term: **15 Years**

(21) Appl. No.: **29/555,035**

(22) Filed: **Feb. 18, 2016**

(51) **LOC (10) Cl.** ..... **15-07**

(52) **U.S. Cl.**  
USPC ..... **D15/79**

(58) **Field of Classification Search**

USPC ..... D15/79-91; D7/307-308, 369-371  
CPC ..... F25C 5/005; F25C 2400/10; F25C 5/182;  
F25C 1/00; F25C 1/04; F25C 2400/14;  
F25C 5/007; F25C 5/18; F25C 1/10;  
F25C 1/225; F25C 1/12; F25C 2305/022;  
F25C 2400/04; F25C 2500/02; F25C  
5/002; F25C 5/02; F25C 5/046; F25C  
1/20; F25C 2500/06; F25C 1/18; F25C  
2300/00; F25C 2305/00; F25C 2400/06;  
F25C 2400/08; F25C 2400/12; F25C  
2500/00; F25C 2700/04; F25C 2700/10;  
F25C 2700/12; F25C 2700/14; F25C  
5/12; F25C 5/187

See application file for complete search history.

(56) **References Cited**

**U.S. PATENT DOCUMENTS**

D92,639 S \* 6/1934 Worthington ..... D15/84  
2,125,693 A \* 8/1938 Ralph, Jr. .... A23G 9/12  
200/80 A

D142,715 S \* 10/1945 Keller ..... 312/312  
7,594,413 B2 \* 9/2009 Martin ..... F25C 5/007  
292/DIG. 37  
D711,944 S \* 8/2014 Yang ..... D15/90  
D735,251 S \* 7/2015 Jeon ..... D15/89  
D745,576 S \* 12/2015 Sherman ..... D15/80  
D763,328 S \* 8/2016 Kim ..... D15/89  
D771,433 S \* 11/2016 Broen ..... D7/307  
2013/0204406 A1 8/2013 Andersson et al.

\* cited by examiner

*Primary Examiner* — Ian Simmons

*Assistant Examiner* — Khawaja Anwar

(74) *Attorney, Agent, or Firm* — Dority & Manning, P.A.

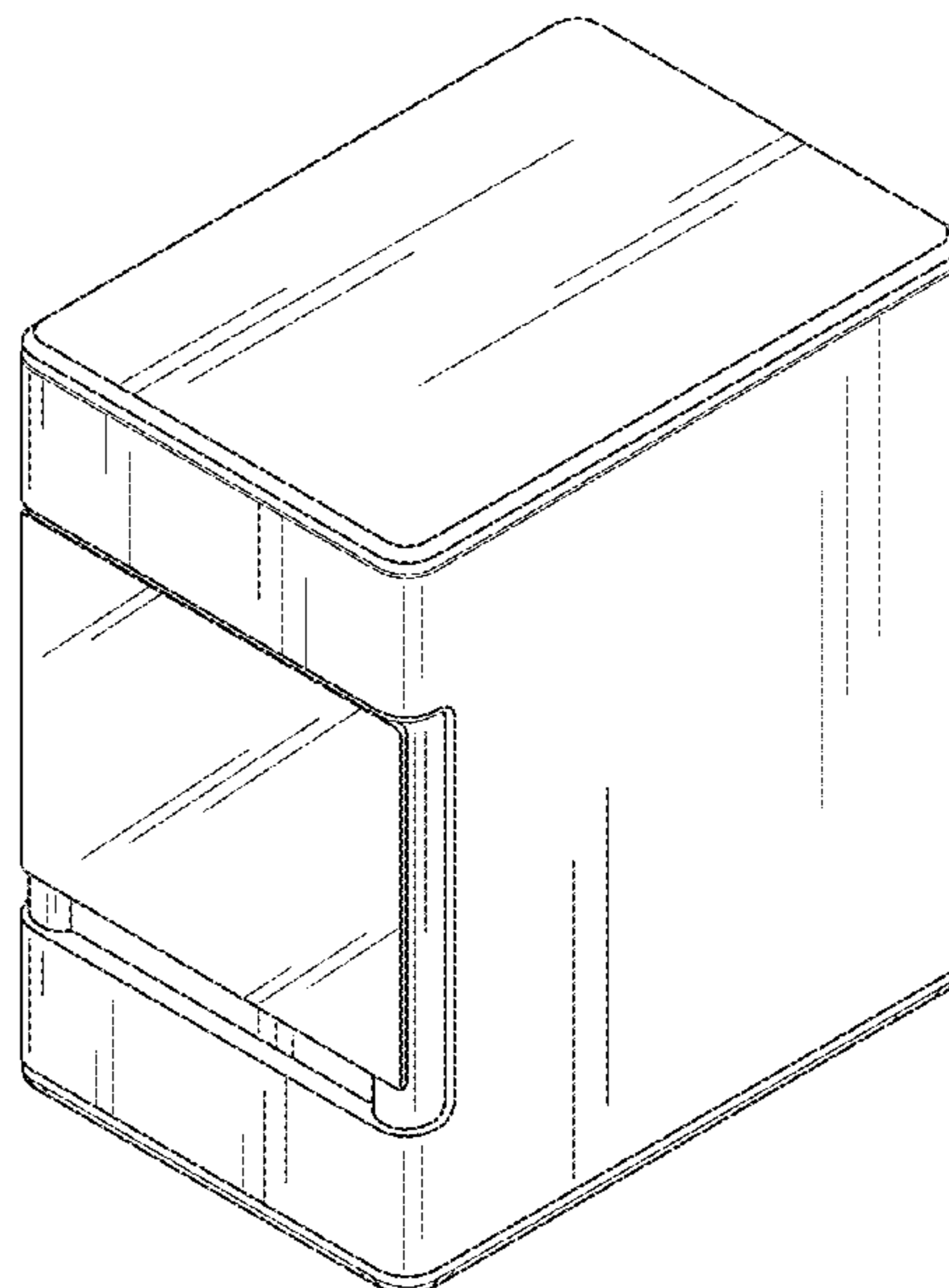
(57) **CLAIM**

The ornamental design for an ice maker appliance, as shown and described.

**DESCRIPTION**

FIG. 1 is a perspective view of an ice maker appliance showing my new design;  
FIG. 2 is a front view thereof;  
FIG. 3 is a side view thereof;  
FIG. 4 is another side view thereof;  
FIG. 5 is a top view thereof;  
FIG. 6 is a bottom view thereof; and,  
FIG. 7 is a review view thereof.  
The broken lines shown in FIGS. 2, 3, 4, 6, and 7 of the drawings show unclaimed subject matter only and form no part of the claimed design. The shade lines in the figures show contour and not surface ornamentation.

**1 Claim, 6 Drawing Sheets**



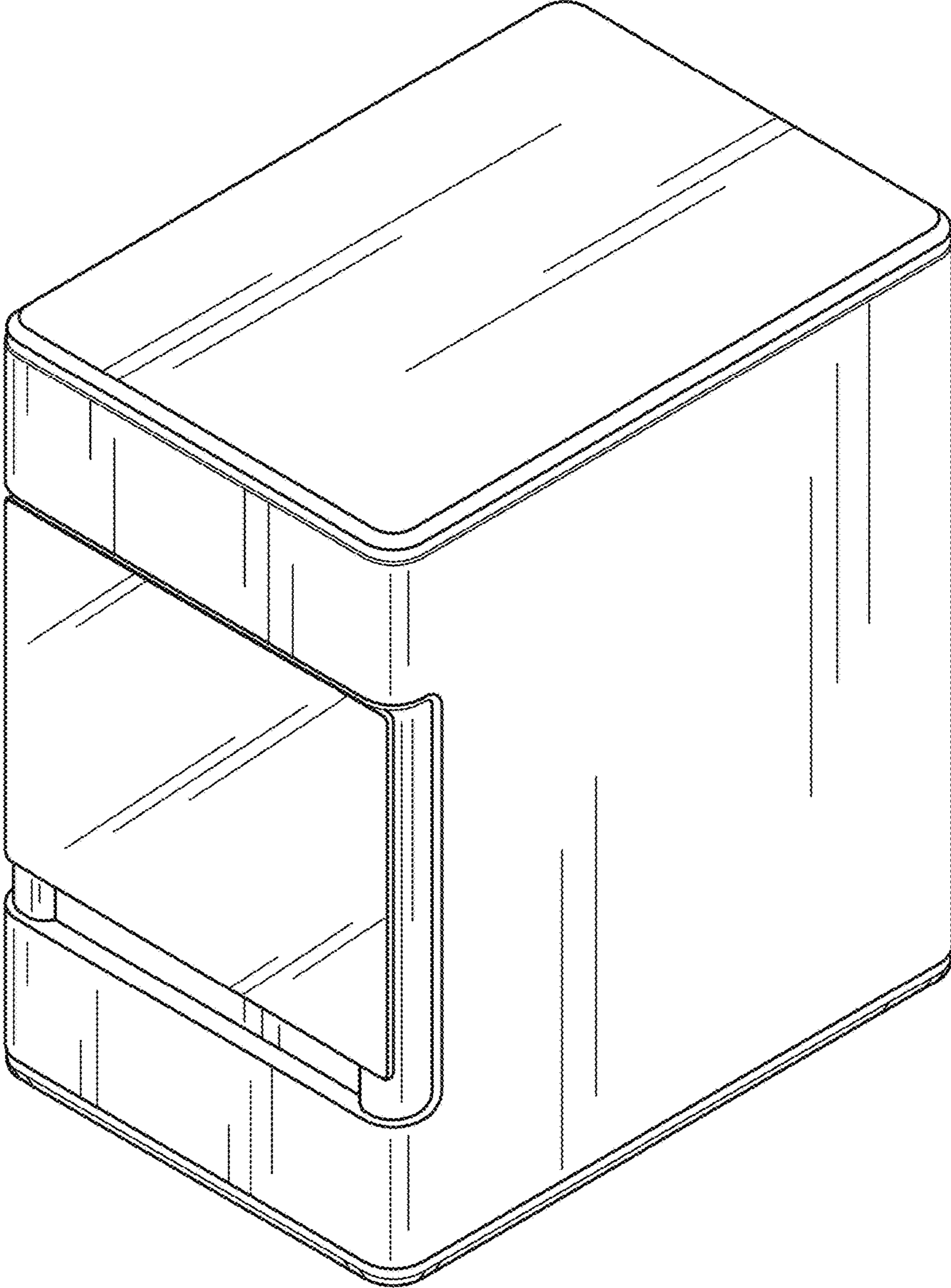


FIG. 1

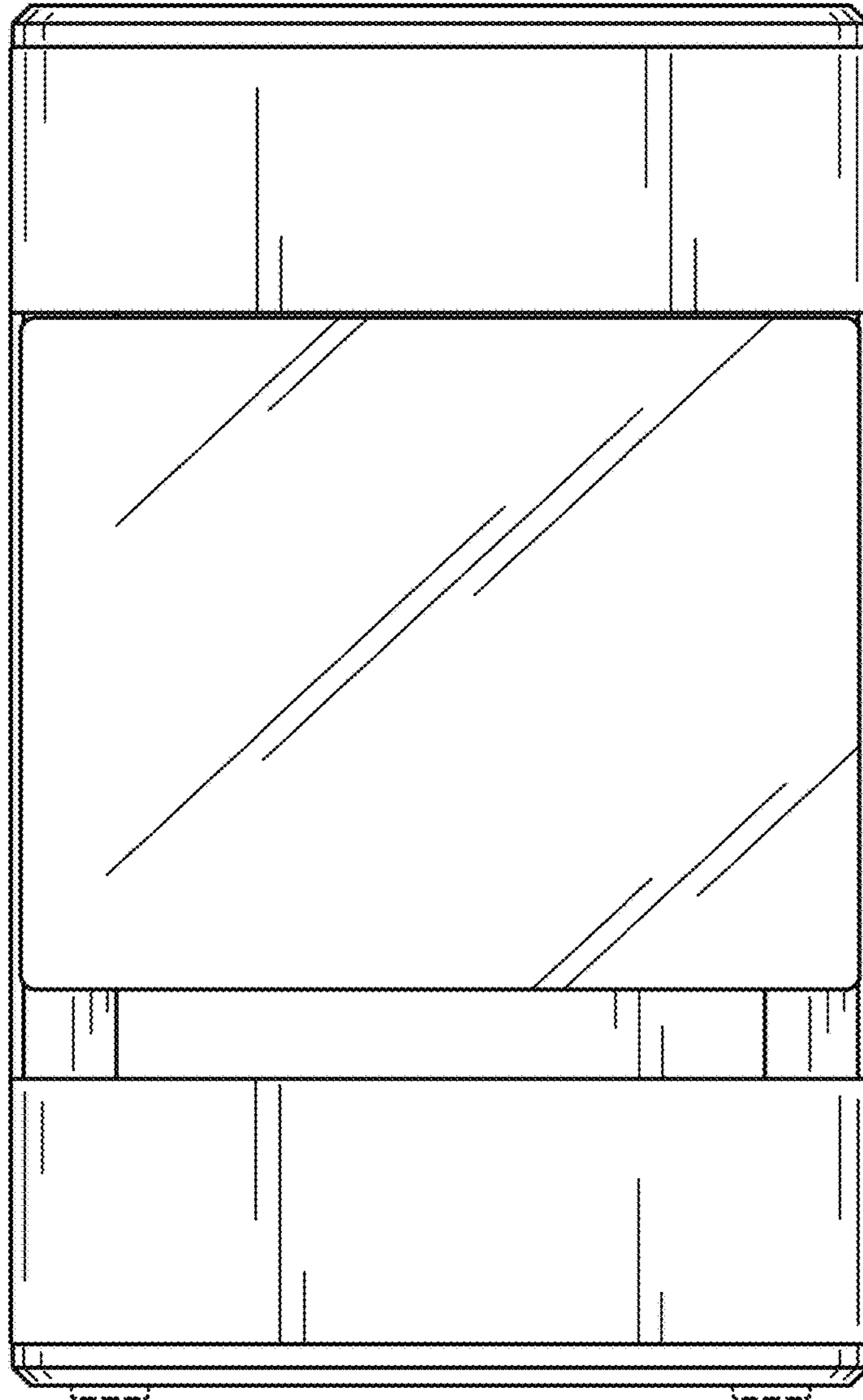


FIG. 2

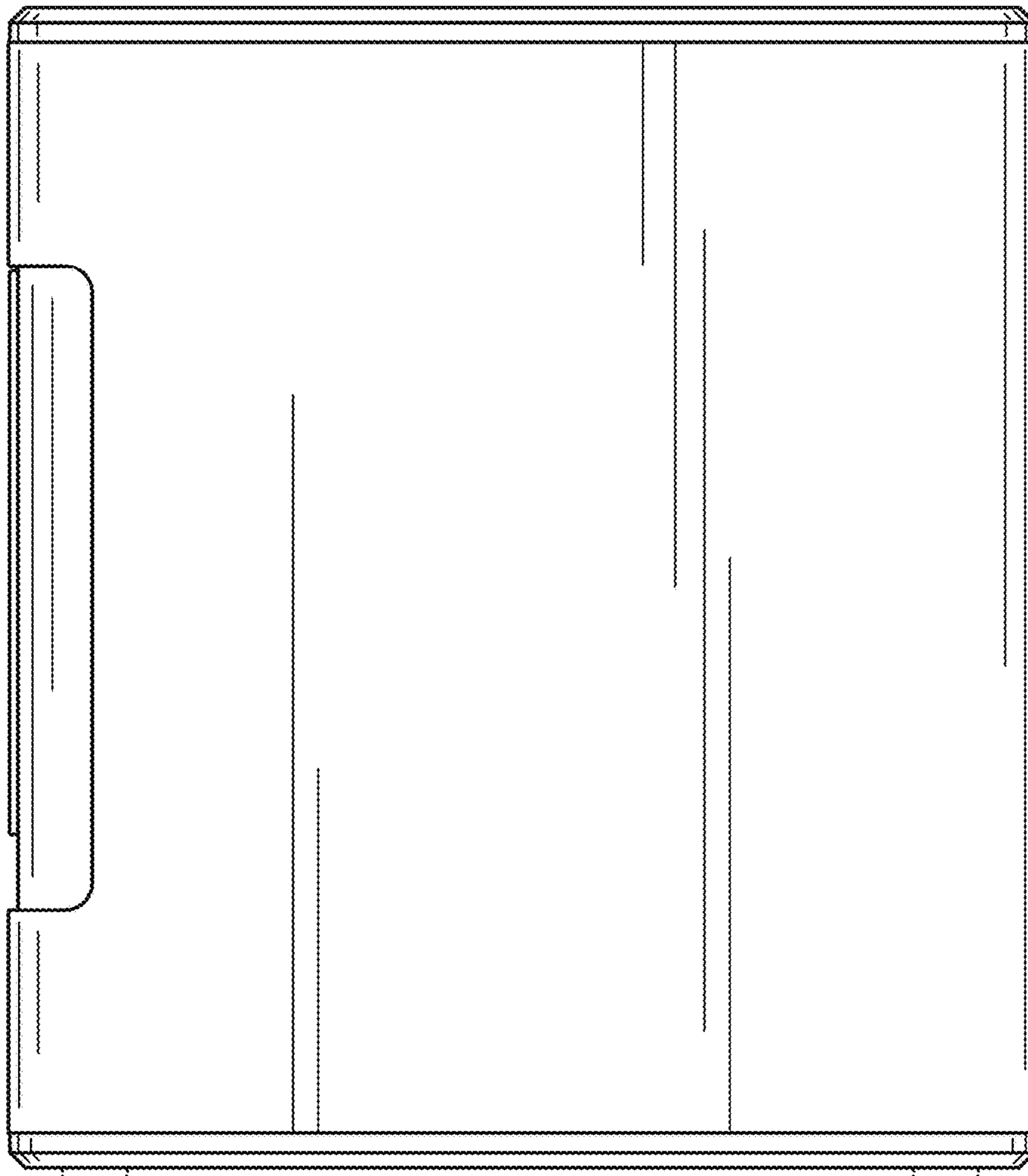


FIG. 3

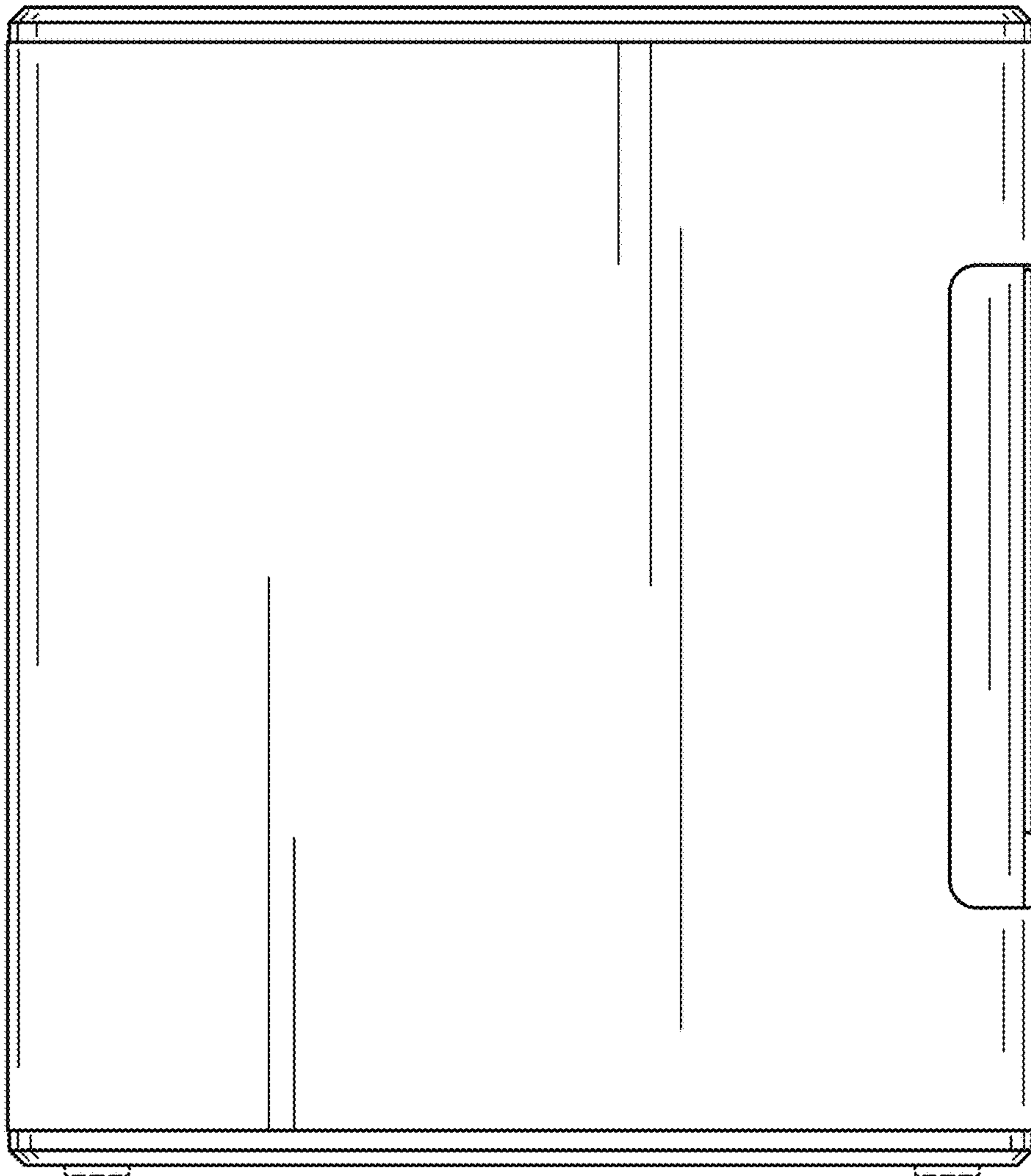


FIG. 4

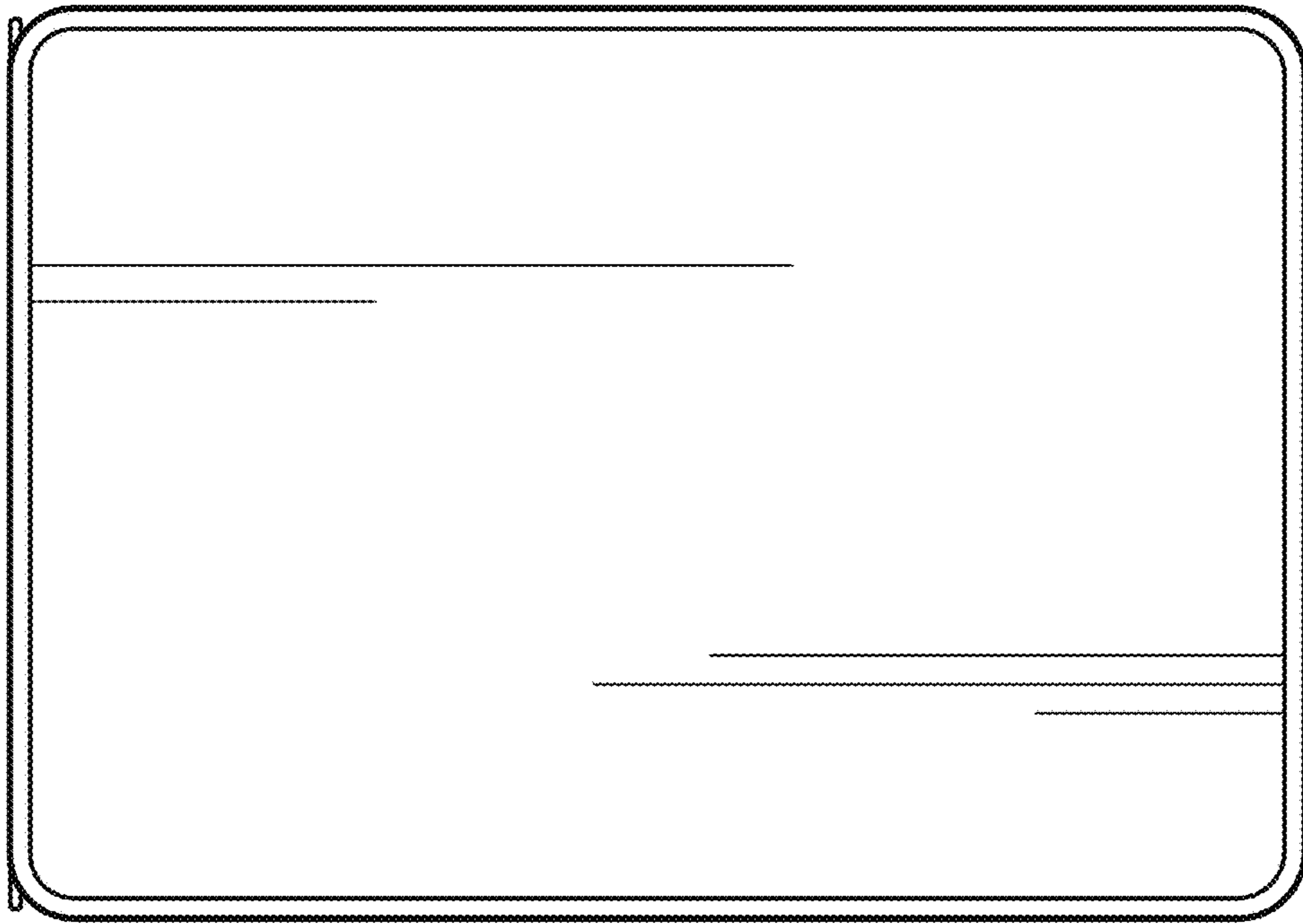


FIG. 5

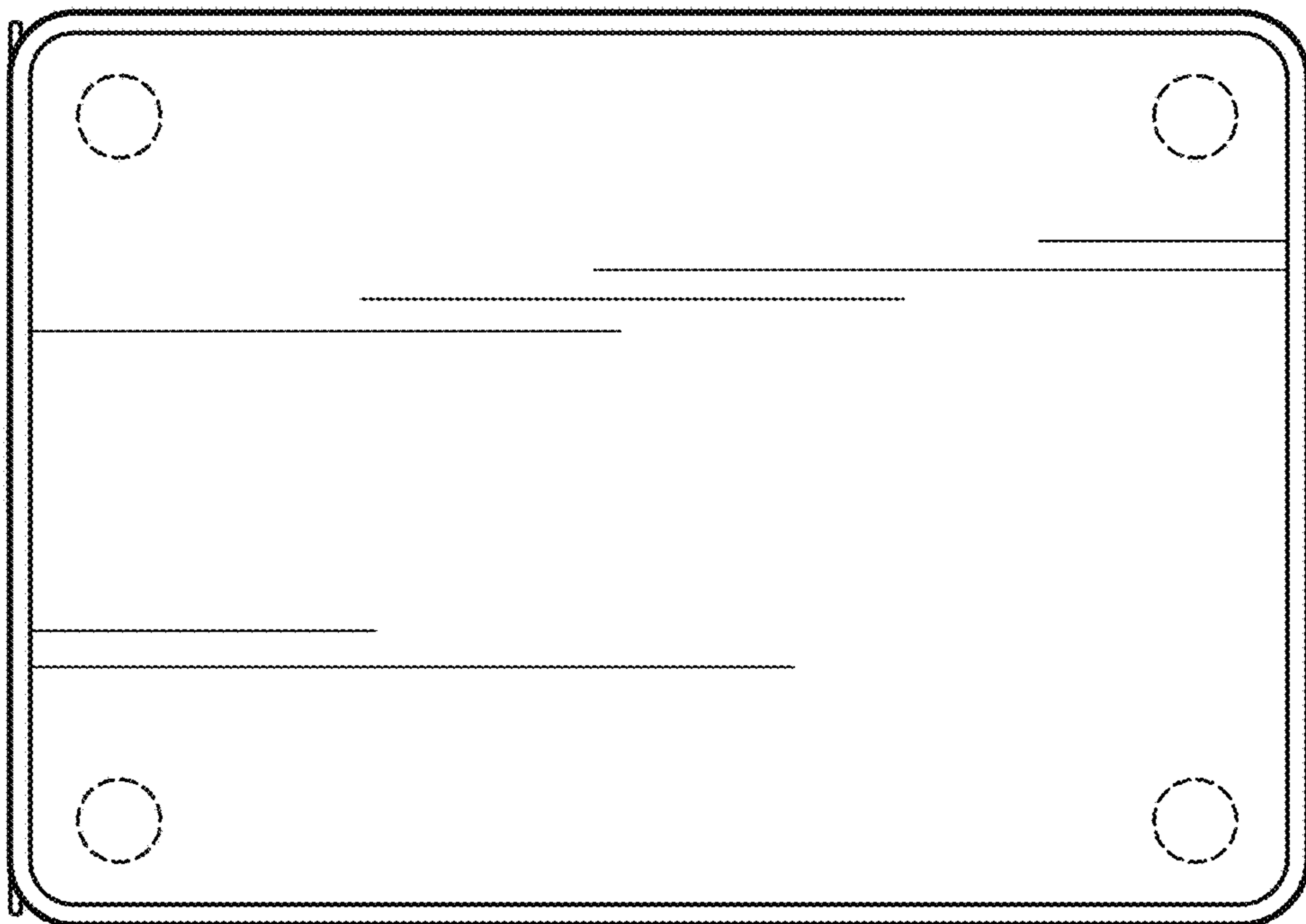


FIG. 6

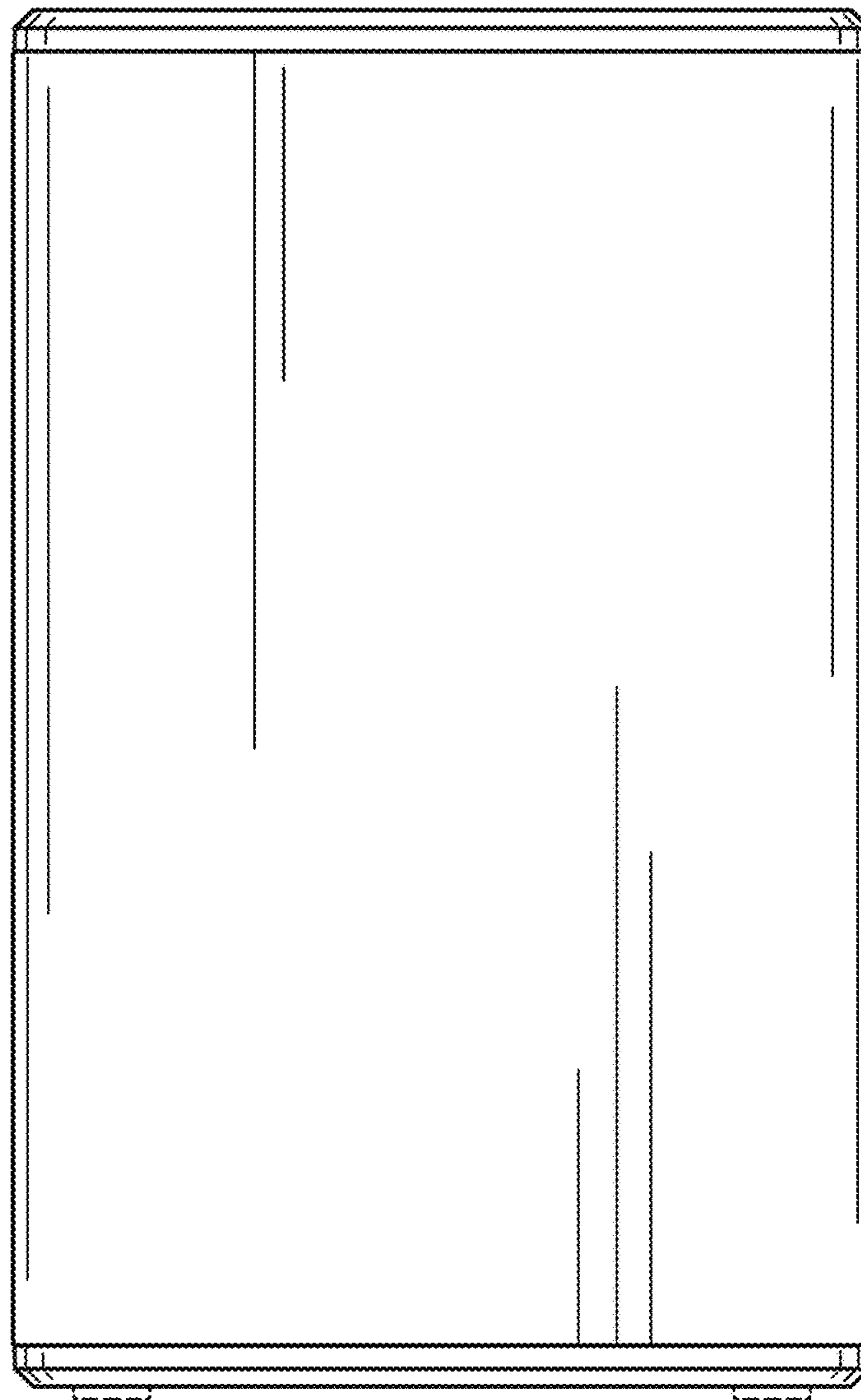


FIG. 7