



US00D781929S

(12) **United States Design Patent**
Ng

(10) **Patent No.:** **US D781,929 S**
(45) **Date of Patent:** **** Mar. 21, 2017**

- (54) **BEAD BRACELET LOOM**
- (71) Applicant: **Choon's Design LLC**, Wixom, MI (US)
- (72) Inventor: **Cheong Choon Ng**, Novi, MI (US)
- (73) Assignee: **Choon's Design LLC**, Wixom, MI (US)
- (**) Term: **15 Years**
- (21) Appl. No.: **29/545,240**
- (22) Filed: **Nov. 11, 2015**
- (51) **LOC (10) Cl.** **15-06**
- (52) **U.S. Cl.**
USPC **D15/66**
- (58) **Field of Classification Search**
USPC D15/66, 78
CPC D03D 29/00; D03D 31/00; D03D 33/00;
D03D 35/00; D03D 37/00; D03D 39/00;
D03D 41/00; D03D 43/00; D03D 45/00;
D03D 47/00; D04D 9/00; D04D 9/02
See application file for complete search history.

- (56) **References Cited**
U.S. PATENT DOCUMENTS
2,043,082 A * 6/1936 Wallach D03D 29/00
28/151
2,601,222 A * 6/1952 Wehrli D03D 29/00
139/34

- 2,802,255 A * 8/1957 Wallach D03D 29/00
139/34
- 6,719,013 B1 * 4/2004 D'Estais D03D 29/00
139/29
- 7,677,273 B2 * 3/2010 Skaflestad D03D 29/00
139/1 R
- 8,066,035 B1 * 11/2011 Stevens D03D 29/00
139/29
- D676,879 S * 2/2013 Hudgins D15/66
- 2006/0157137 A1 * 7/2006 Sayler D03D 29/00
139/29
- 2010/0269947 A1 * 10/2010 Spear D03D 29/00
139/29

* cited by examiner

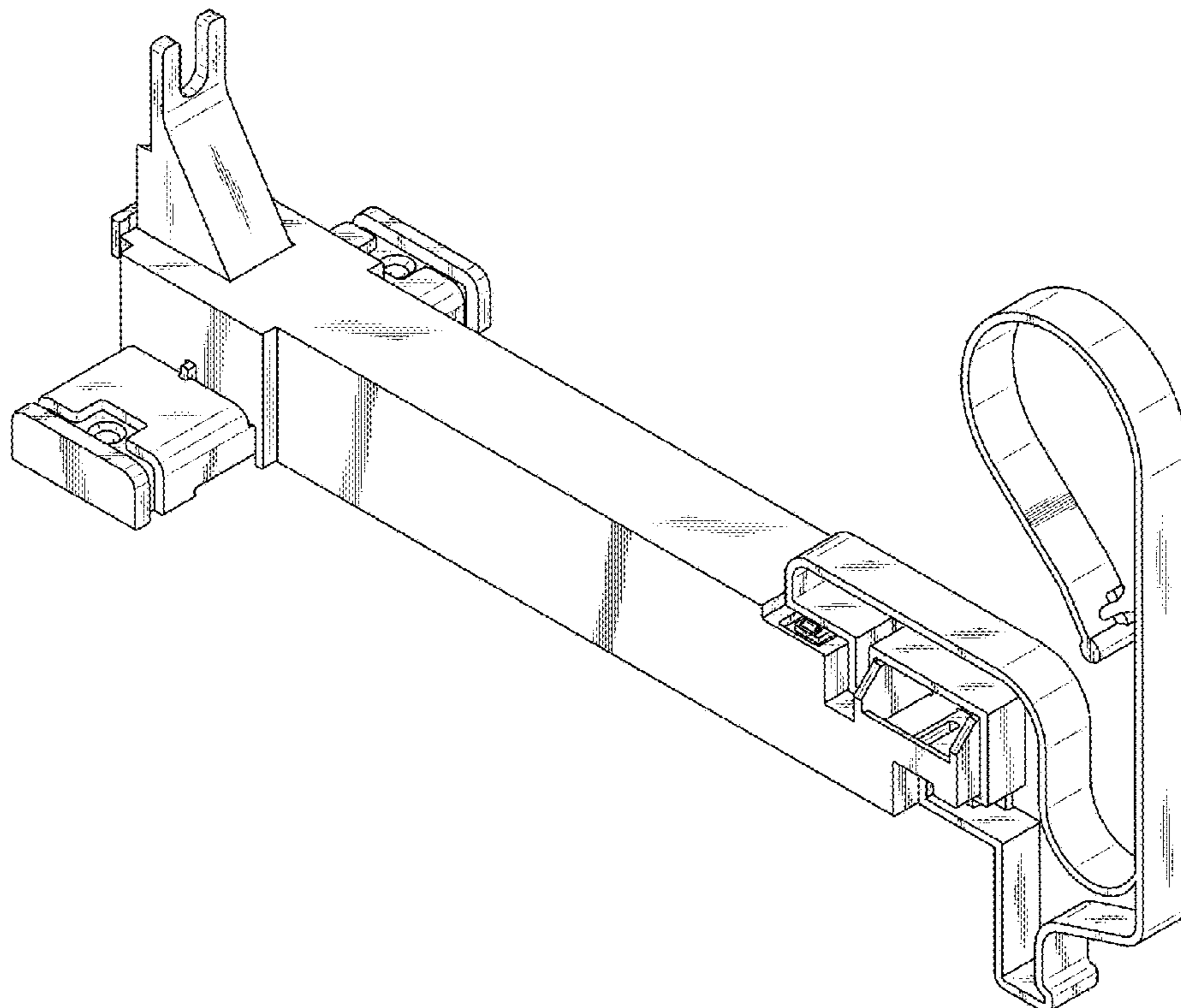
Primary Examiner — Mitchell Siegel
(74) *Attorney, Agent, or Firm* — Carlson, Gaskey & Olds, P.C.

(57) **CLAIM**
The ornamental design for a bead bracelet loom, as shown and described.

DESCRIPTION

FIG. 1 is a perspective view of the bead bracelet loom.
FIG. 2 is a first side view of the bead bracelet loom.
FIG. 3 is a bottom view of the bead bracelet loom.
FIG. 4 is a top view of the bead bracelet loom.
FIG. 5 is a first end view of the bead bracelet loom.
FIG. 6 is a second end view of the bead bracelet loom; and,
FIG. 7 is a second side view of the bead bracelet loom.

1 Claim, 6 Drawing Sheets



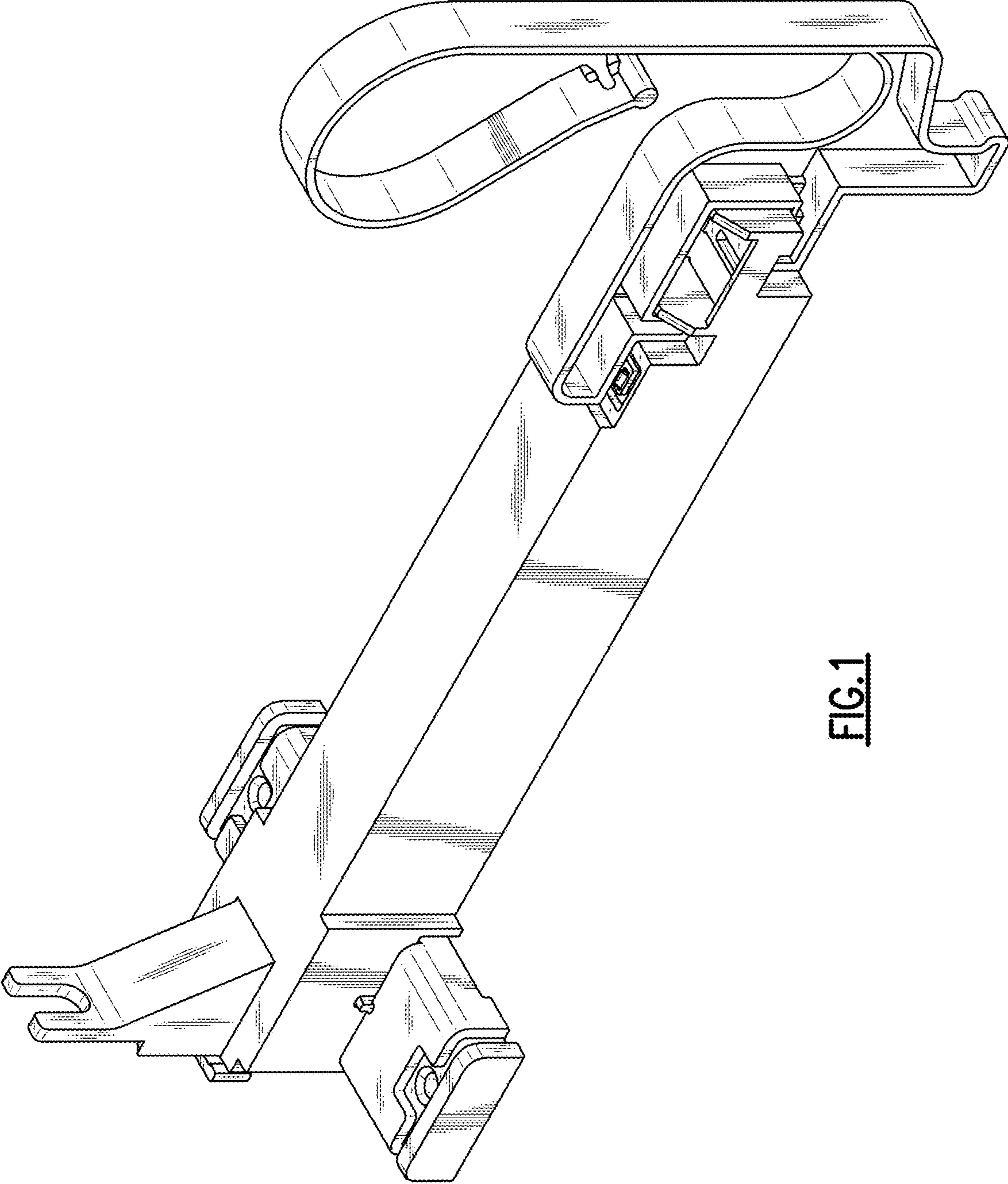


FIG.1

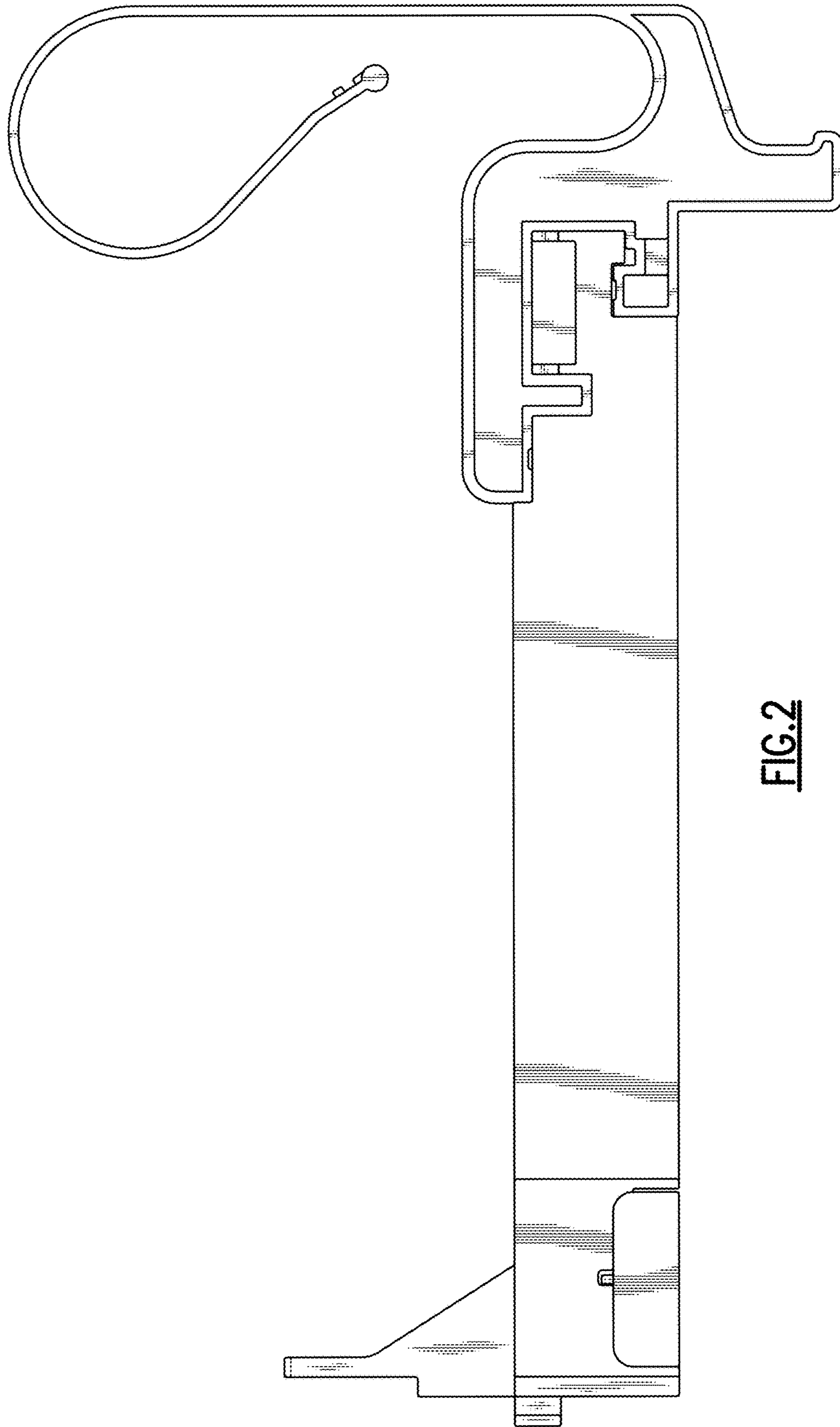


FIG. 2

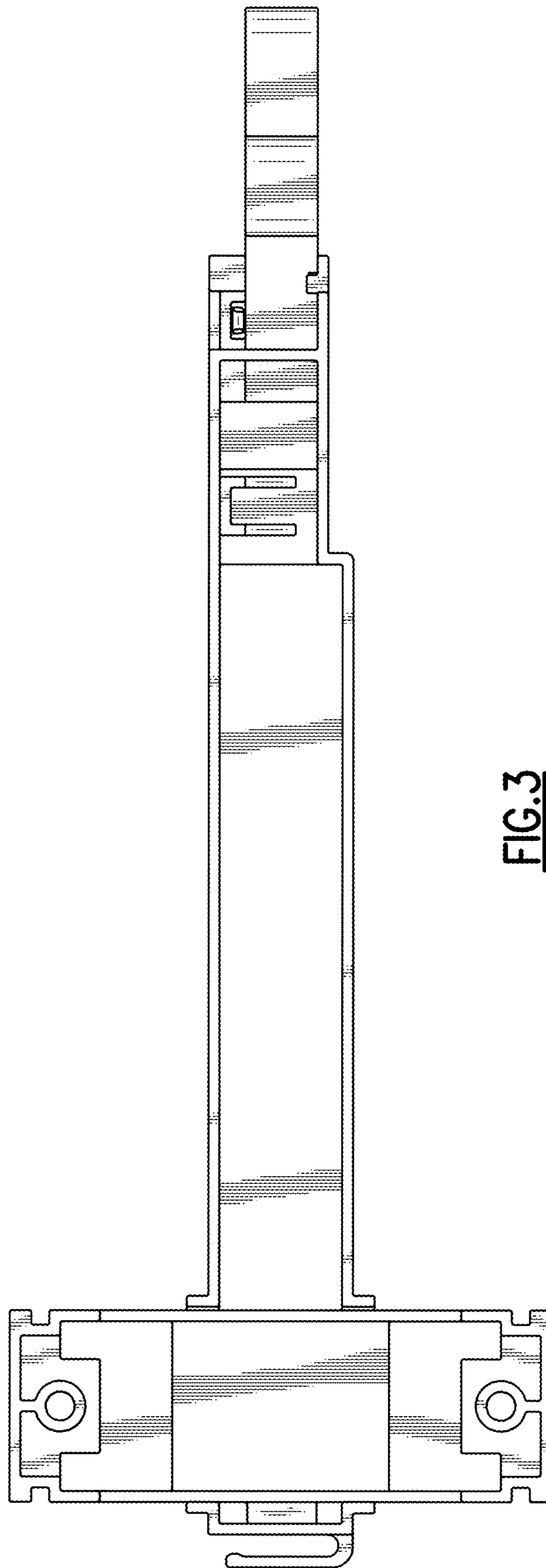


FIG. 3

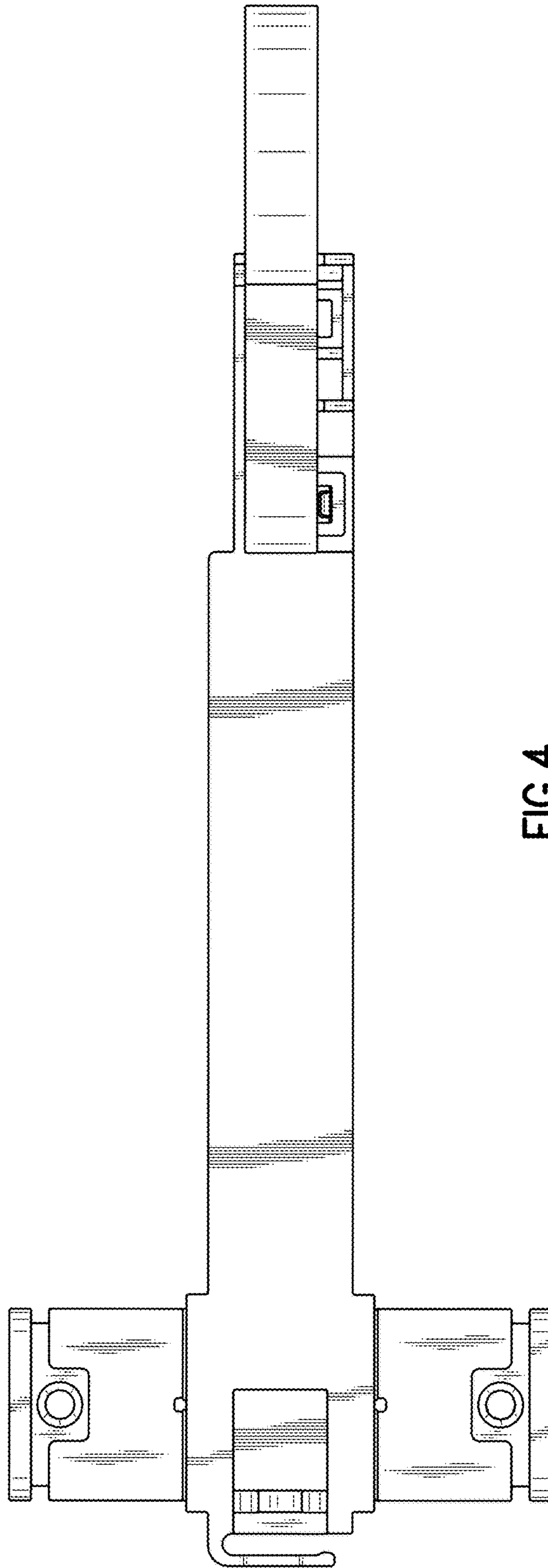
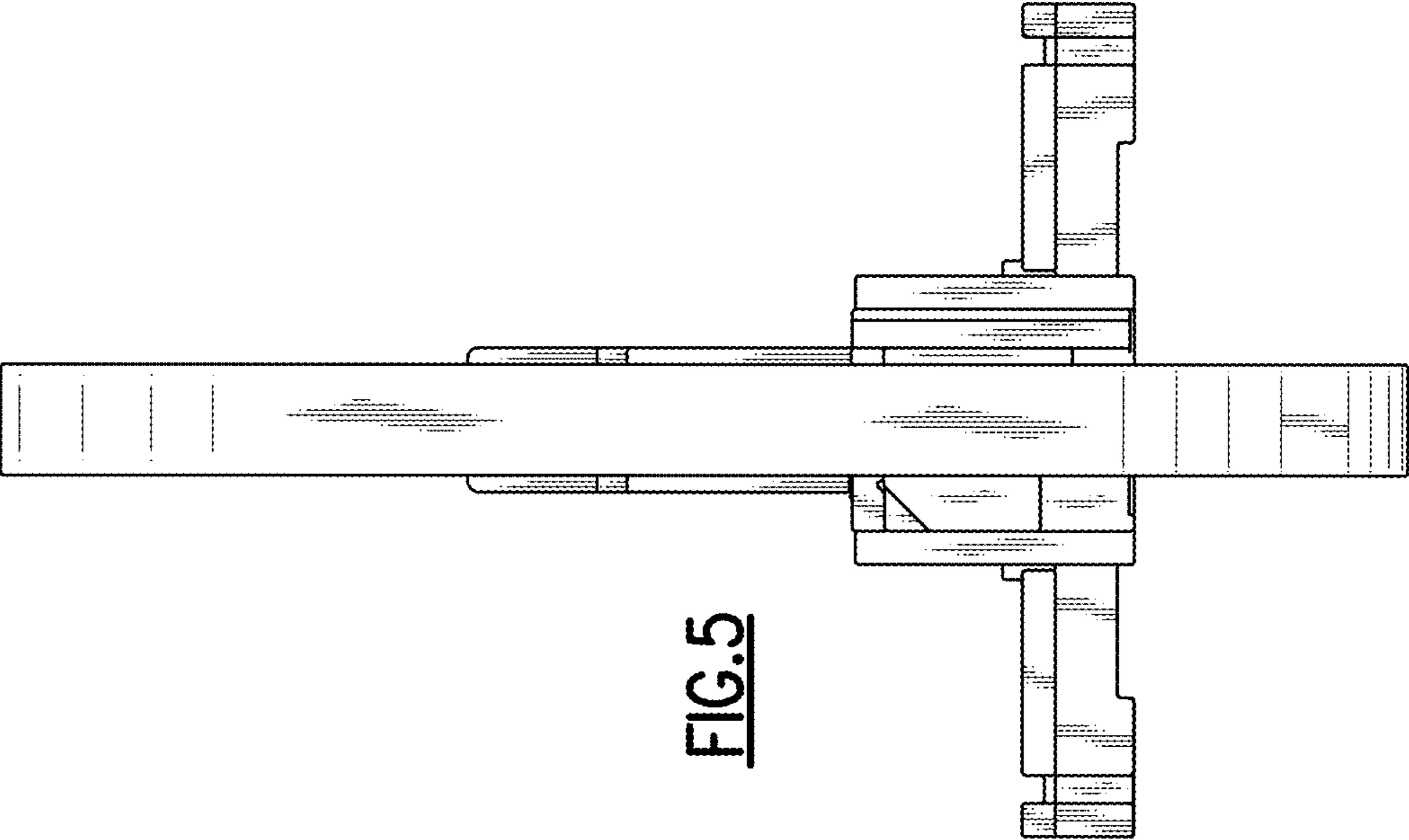
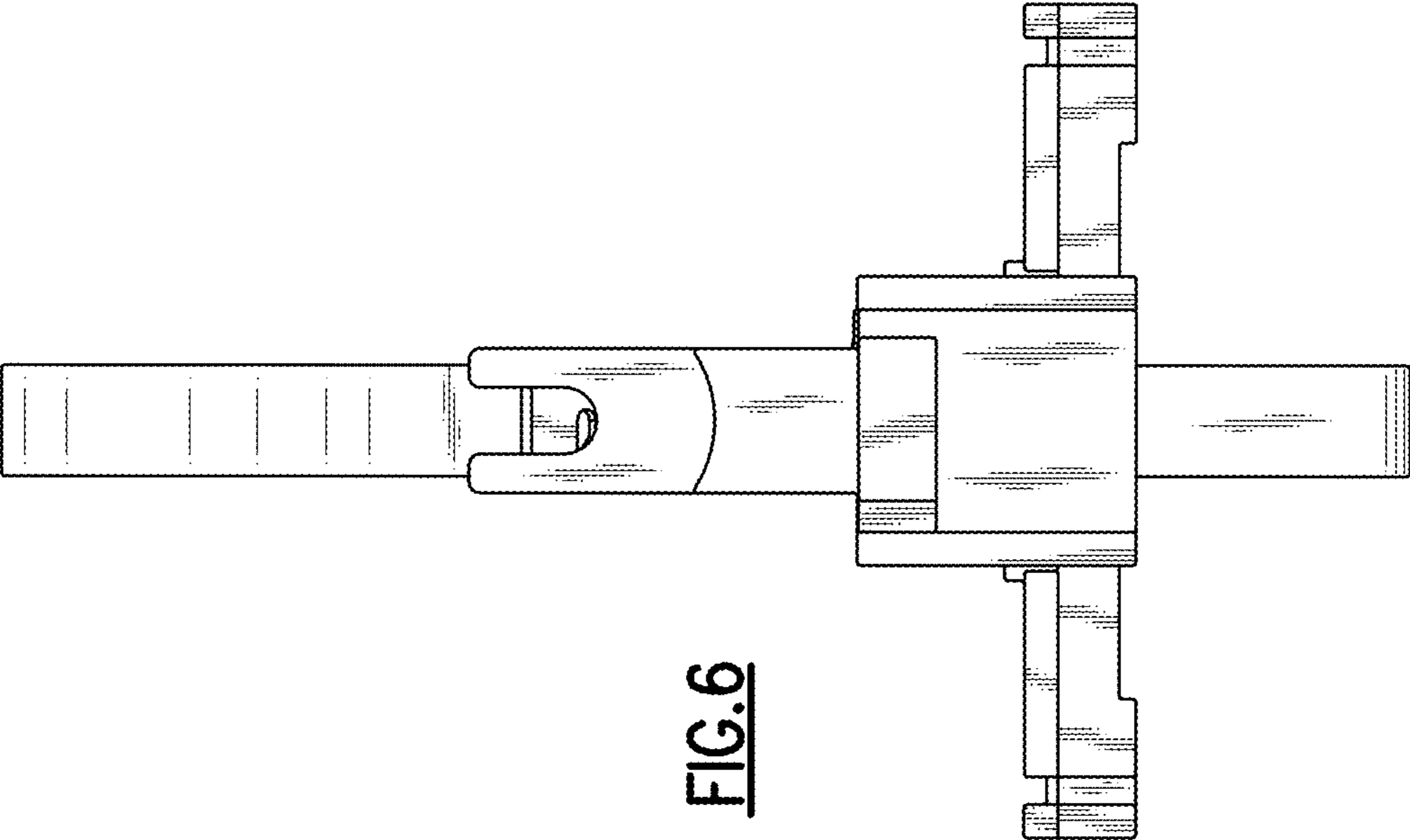


FIG. 4



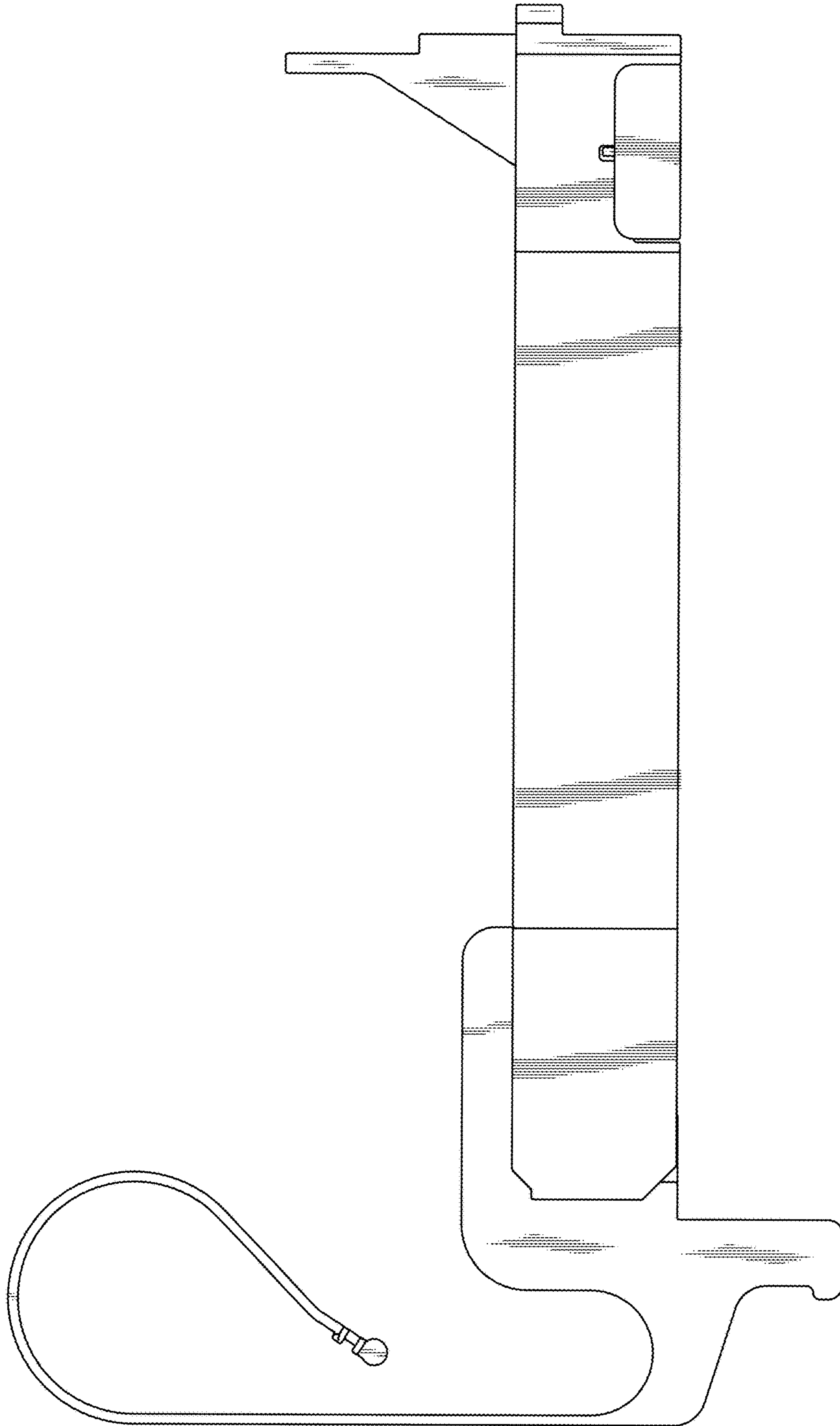


FIG. 7