



US00D781928S

(12) **United States Design Patent**  
**Ng**

(10) **Patent No.:** **US D781,928 S**  
(45) **Date of Patent:** **\*\* Mar. 21, 2017**

- (54) **BEAD BRACELET LOOM**
- (71) Applicant: **Choon's Design LLC**, Wixom, MI (US)
- (72) Inventor: **Cheong Choon Ng**, Novi, MI (US)
- (73) Assignee: **Choon's Design LLC**, Wixom, MI (US)
- (\*\*) Term: **15 Years**
- (21) Appl. No.: **29/545,238**
- (22) Filed: **Nov. 11, 2015**
- (51) **LOC (10) Cl.** ..... **15-06**
- (52) **U.S. Cl.**  
USPC ..... **D15/66**
- (58) **Field of Classification Search**  
USPC ..... D15/66, 78  
CPC ..... D03D 29/00; D03D 31/00; D03D 33/00;  
D03D 35/00; D03D 37/00; D03D 39/00;  
D03D 41/00; D03D 43/00; D03D 45/00;  
D03D 47/00; D04D 9/00; D04D 9/02  
See application file for complete search history.

2,802,255	A *	8/1957	Wallach	.....	D03D 29/00
					139/34
6,719,013	B1 *	4/2004	D'Estais	.....	D03D 29/00
					139/29
7,677,273	B2 *	3/2010	Skaflestad	.....	D03D 29/00
					139/1 R
8,066,035	B1 *	11/2011	Stevens	.....	D03D 29/00
					139/29
D676,879	S *	2/2013	Hudgins	.....	D15/66
2006/0157137	A1 *	7/2006	Sayler	.....	D03D 29/00
					139/29
2010/0269947	A1 *	10/2010	Spear	.....	D03D 29/00
					139/29

\* cited by examiner

*Primary Examiner* — Mitchell Siegel  
(74) *Attorney, Agent, or Firm* — Carlson, Gaskey & Olds, P.C.

(57) **CLAIM**

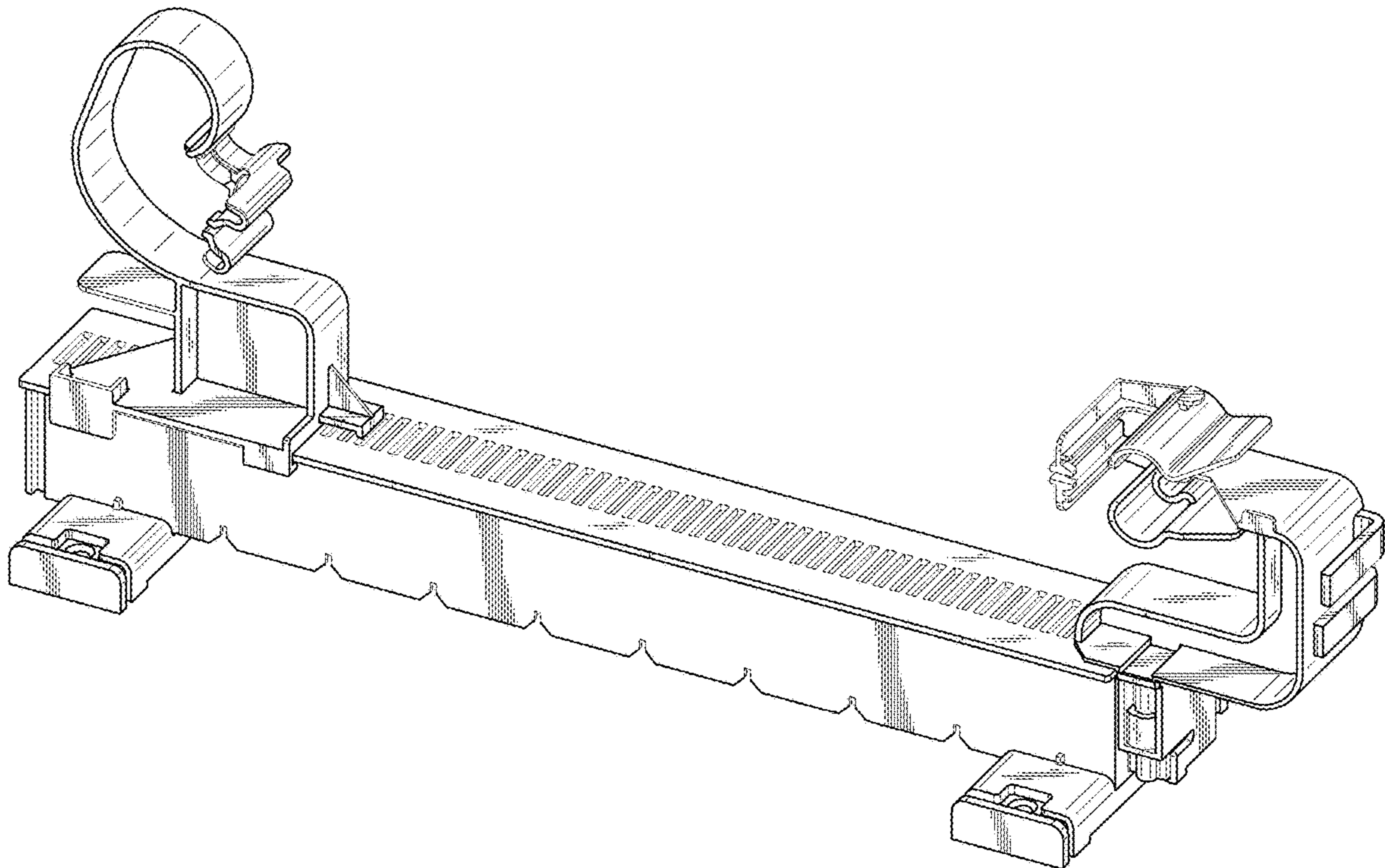
The ornamental design for a bead bracelet loom, as shown and described.

**DESCRIPTION**

FIG. 1 is a perspective view of the bead bracelet loom.  
FIG. 2 is a first side view of the bead bracelet loom.  
FIG. 3 is a top view of the bead bracelet loom.  
FIG. 4 is a bottom view of the bead bracelet loom.  
FIG. 5 is a first end view of the bead bracelet loom.  
FIG. 6 is a second end view of the bead bracelet loom; and,  
FIG. 7 is a second side view of the bead bracelet loom.

**1 Claim, 5 Drawing Sheets**

- (56) **References Cited**  
U.S. PATENT DOCUMENTS  
2,043,082 A \* 6/1936 Wallach ..... D03D 29/00  
28/151  
2,601,222 A \* 6/1952 Wehrli ..... D03D 29/00  
139/34



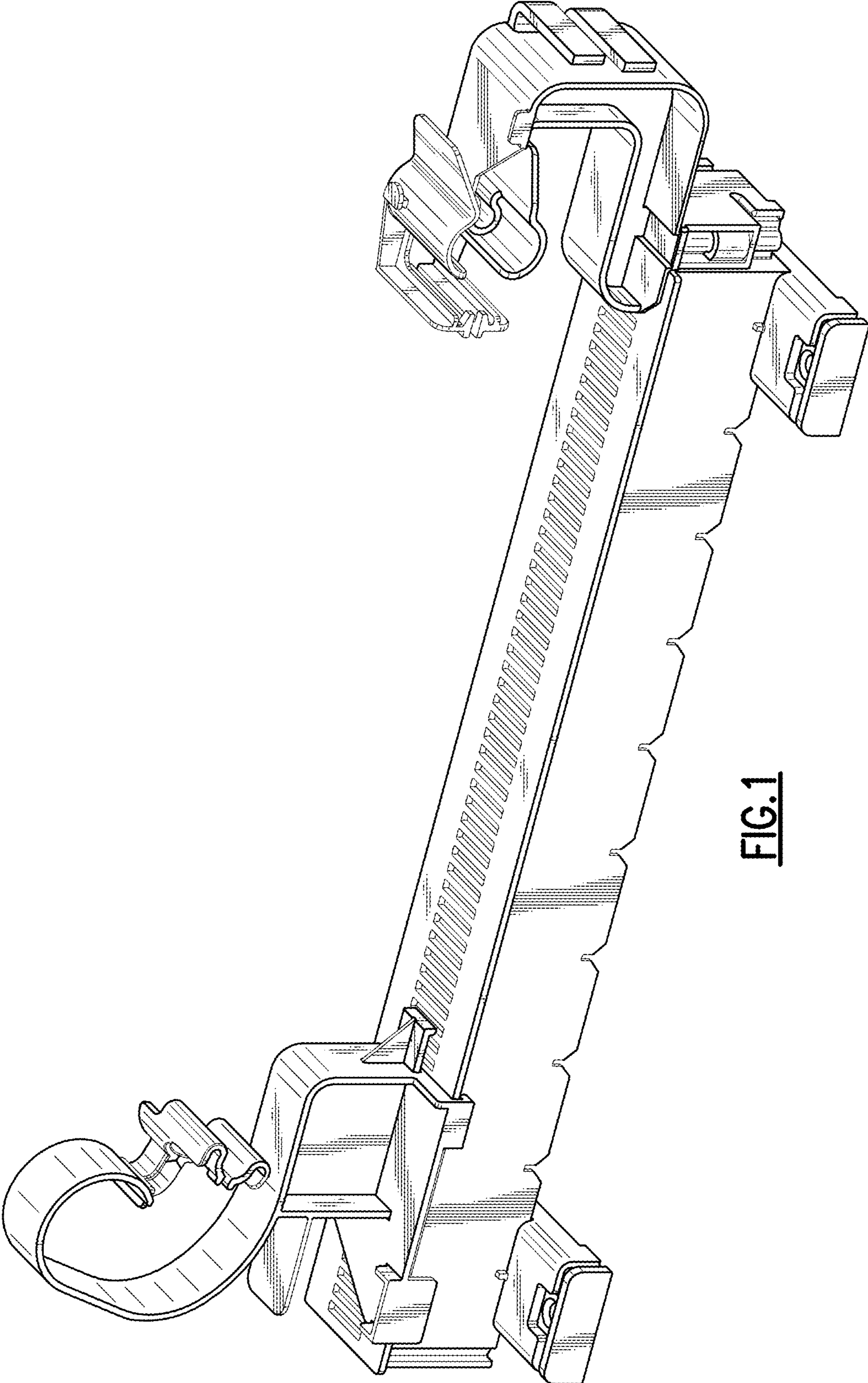


FIG.1

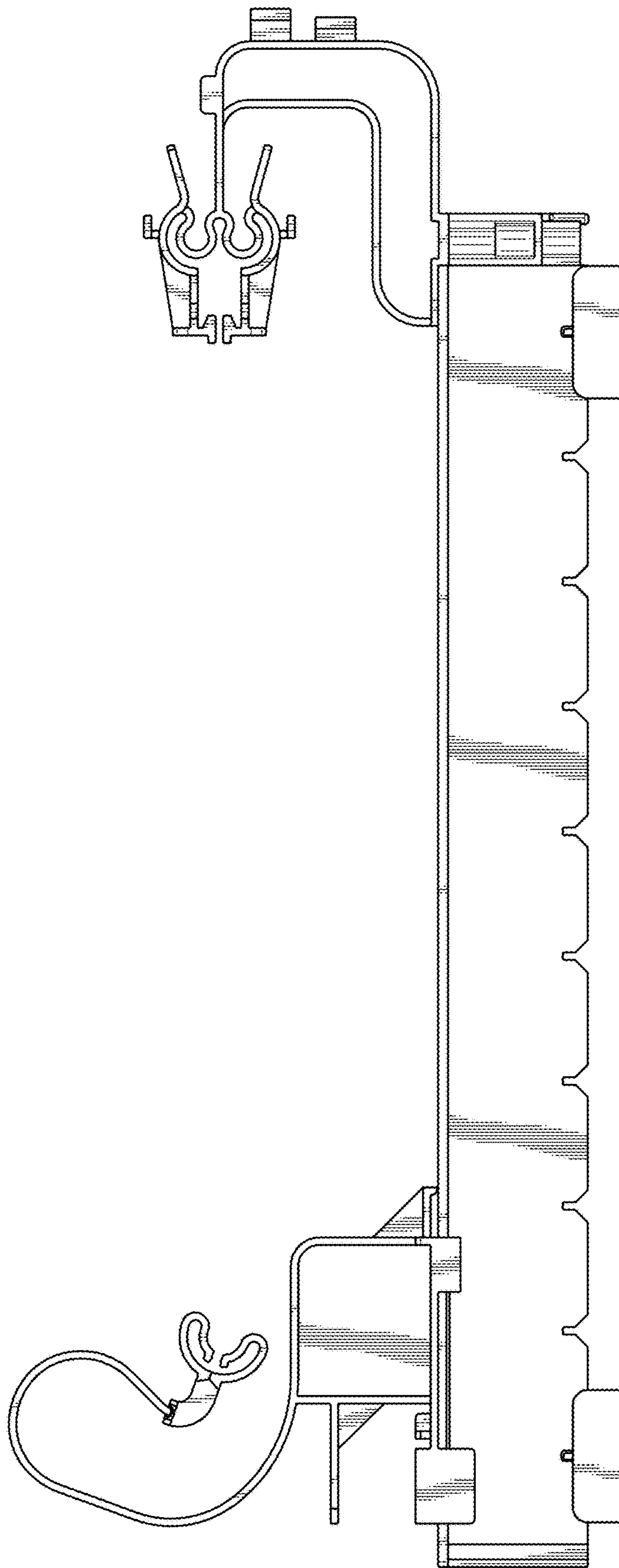


FIG. 2



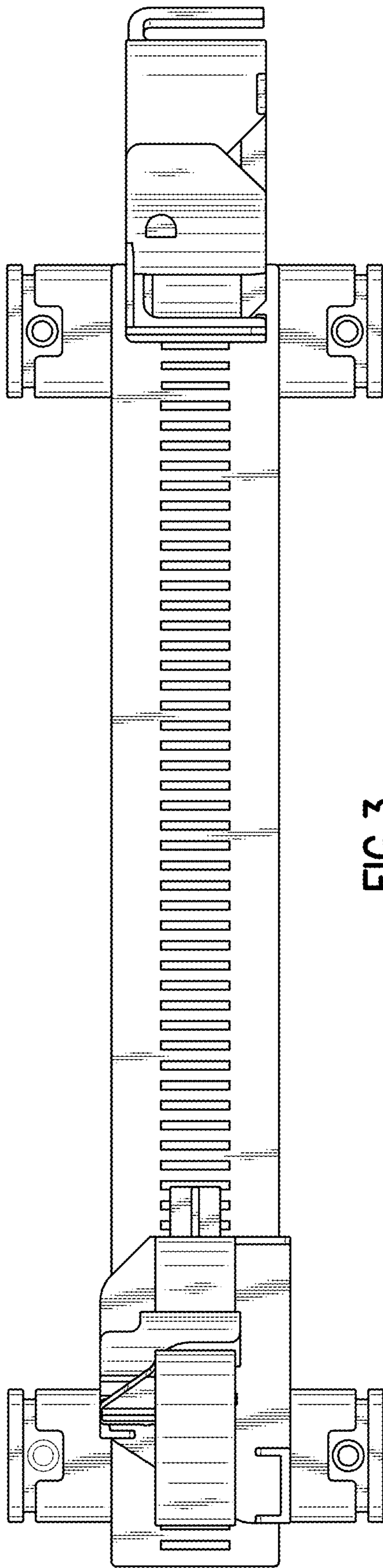


FIG. 3

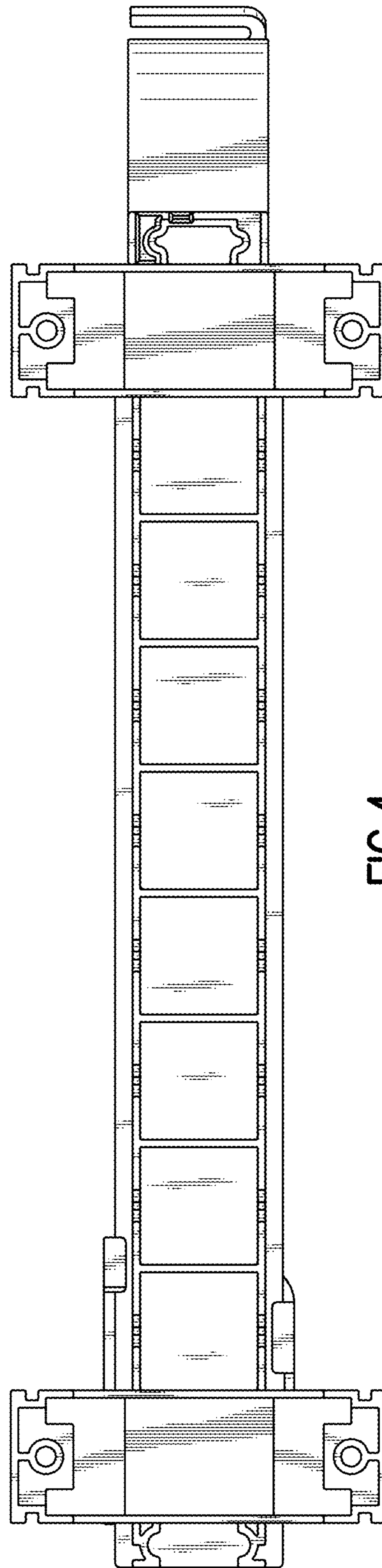


FIG. 4

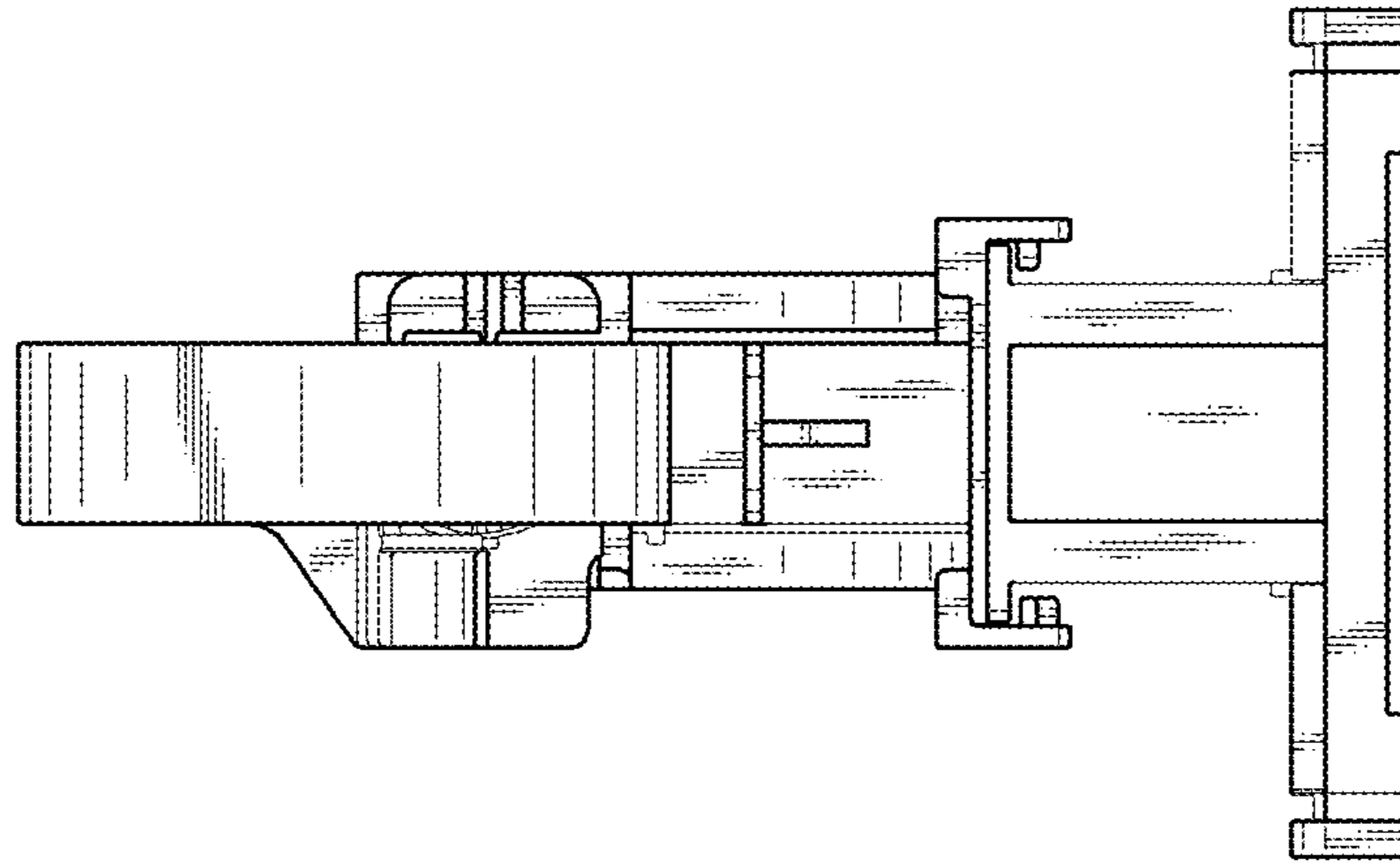


FIG. 6

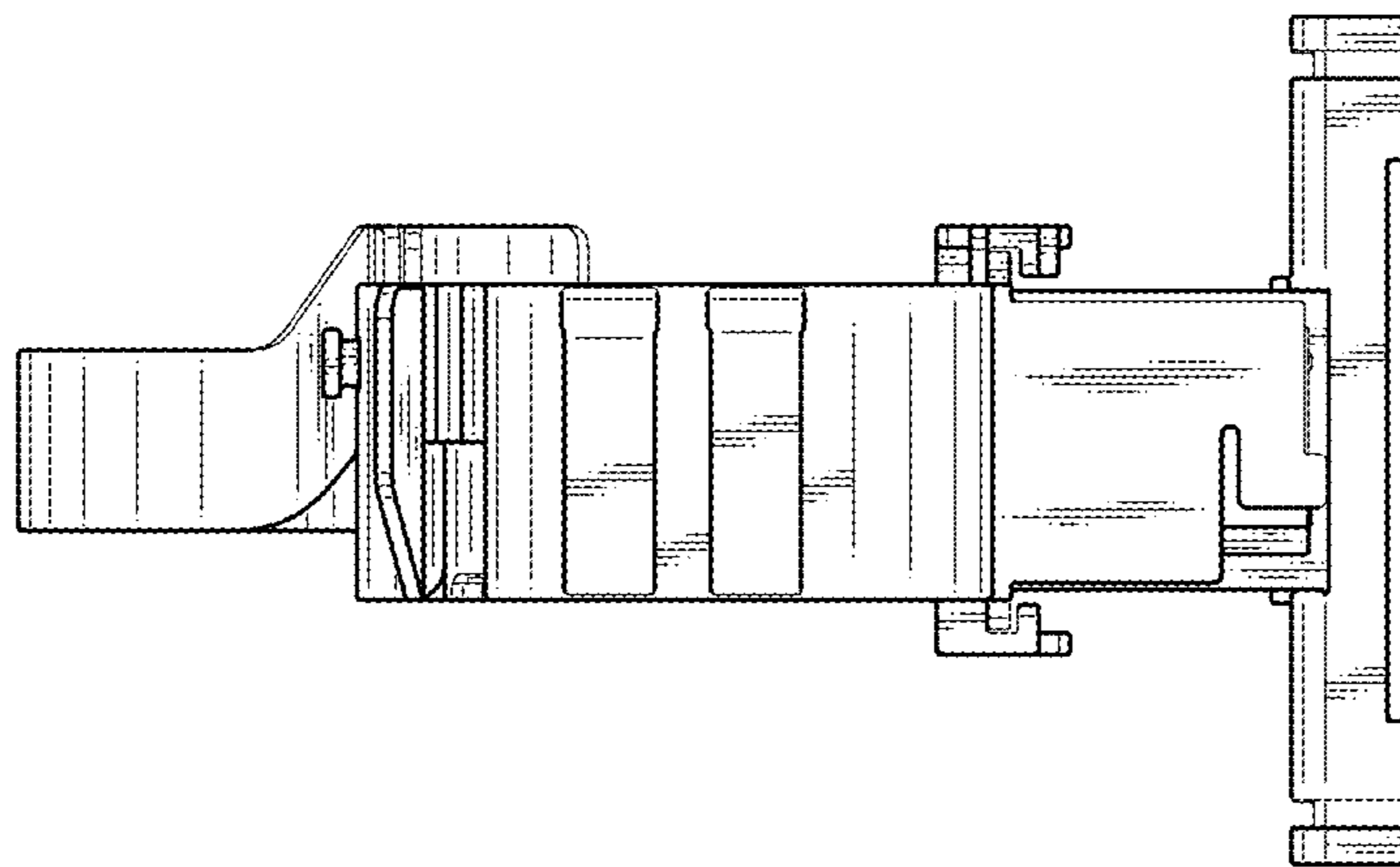


FIG. 5

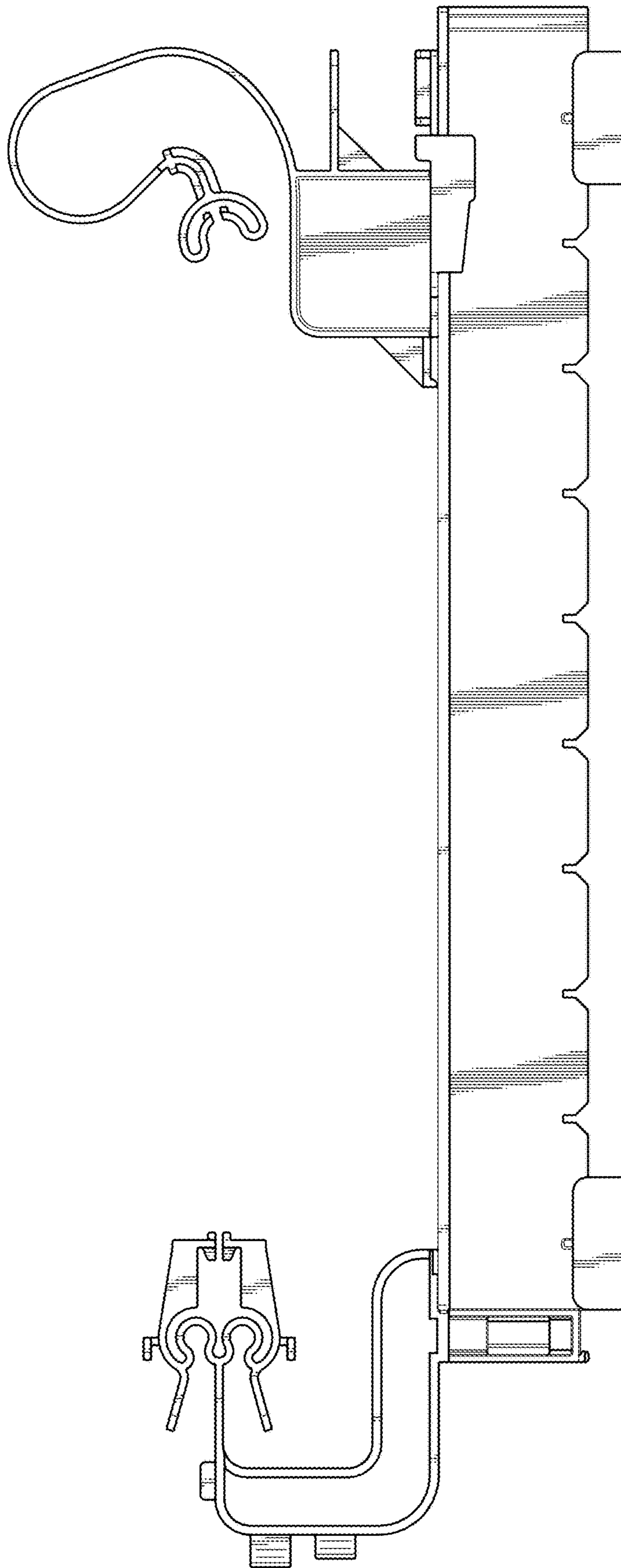


FIG. 7