



US00D781925S

(12) **United States Design Patent**  
**Kanchibhotla et al.**

(10) **Patent No.:** **US D781,925 S**

(45) **Date of Patent:** **\*\* Mar. 21, 2017**

(54) **CHIPPER SHREDDER**

D356,801 S \* 3/1995 Bold ..... D15/10  
D357,259 S \* 4/1995 Bold ..... D15/10  
D358,399 S \* 5/1995 Tiedeman ..... D15/10

(71) Applicant: **Harbor Freight Tools USA, Inc.**,  
Calabasas, CA (US)

\* cited by examiner

(72) Inventors: **Srikanth Kanchibhotla**, Thousand  
Oaks, CA (US); **Wes Harmelink**,  
Newberry Park, CA (US)

*Primary Examiner* — Mark Goodwin

(74) *Attorney, Agent, or Firm* — Tarter Krinsky & Drogin  
LLP

(73) Assignee: **HARBOR FREIGHT TOOLS USA,**  
**INC.**, Calabasas, CA (US)

(\*\*) Term: **15 Years**

(57) **CLAIM**

(21) Appl. No.: **29/559,227**

The ornamental design for a chipper shredder, as shown and  
described.

(22) Filed: **Mar. 25, 2016**

(51) **LOC (10) Cl.** ..... **15-03**

(52) **U.S. Cl.**  
USPC ..... **D15/10**

**DESCRIPTION**

(58) **Field of Classification Search**  
USPC ..... D15/10-13; 241/37.5, 101.7,  
241/186.1-186.5, 282.2; 56/13.3, 13.4,  
56/15.8, 16.7, 17.1, 202, 255, 320.2  
CPC ..... B02C 18/143; B02C 18/14; B02C 18/06;  
A01G 3/002; A01G 3/00  
See application file for complete search history.

FIG. 1 is a perspective view of a chipper shredder showing  
our new design;  
FIG. 2 is a front view thereof;  
FIG. 3 is a first side view thereof;  
FIG. 4 is a second side view thereof;  
FIG. 5 is a rear view thereof;  
FIG. 6 is a top view thereof; and,  
FIG. 7 is a bottom view thereof.

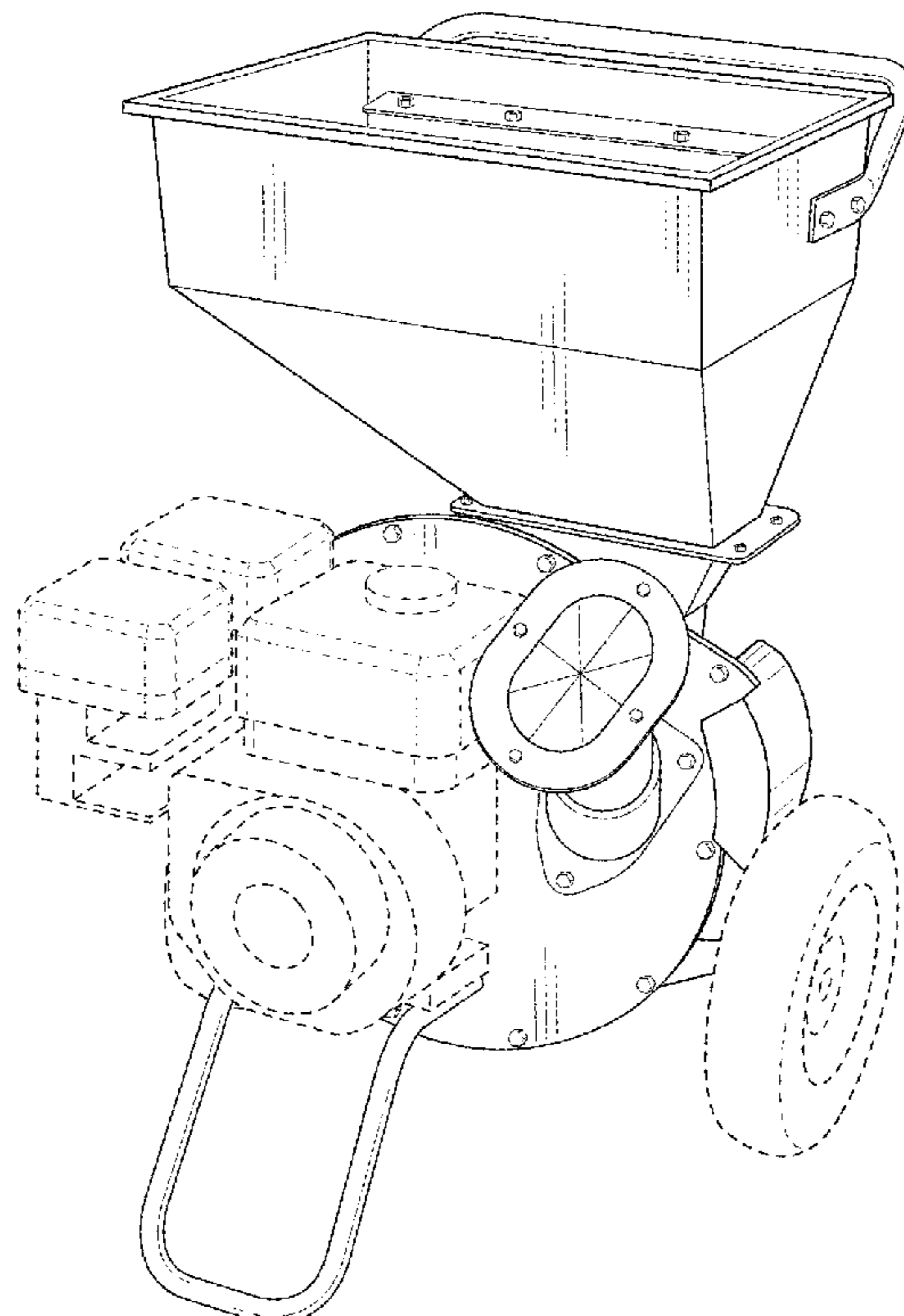
The broken lines shown in the drawings are for illustrative  
purposes only and form no part of the claimed design.

(56) **References Cited**

**U.S. PATENT DOCUMENTS**

D345,983 S \* 4/1994 Bold ..... D15/10  
D356,319 S \* 3/1995 Bold ..... D15/10

**1 Claim, 4 Drawing Sheets**



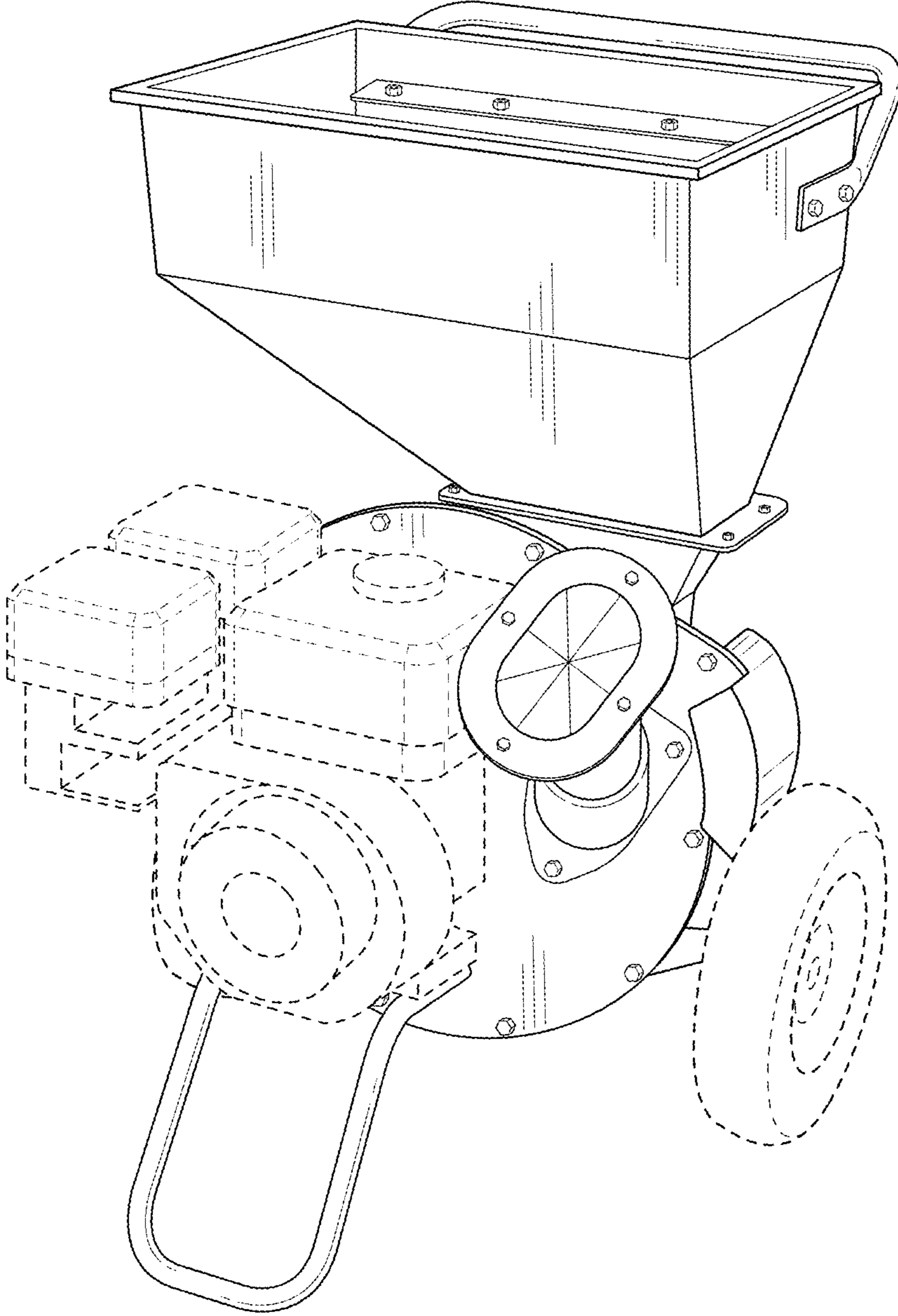


FIG. 1

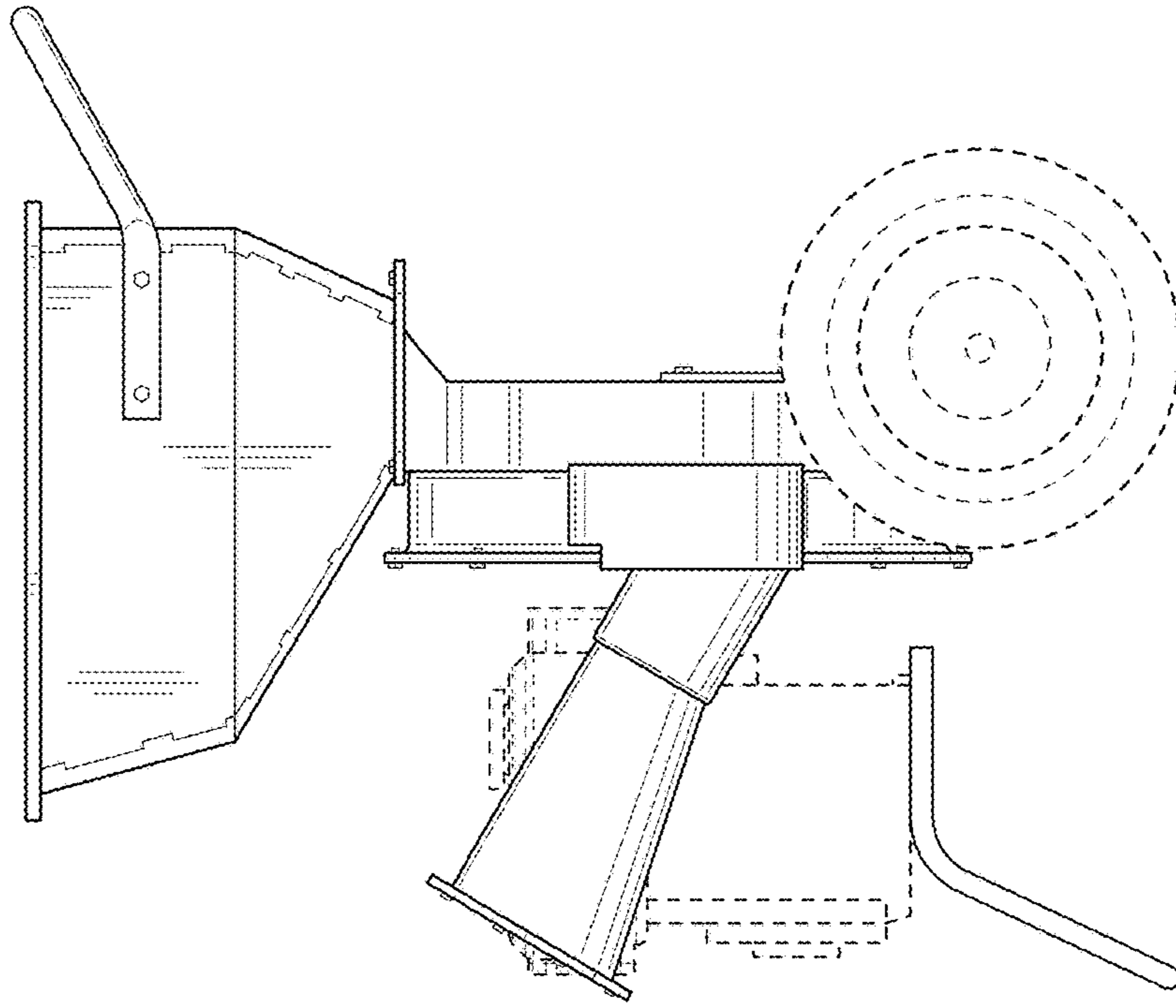


FIG. 3

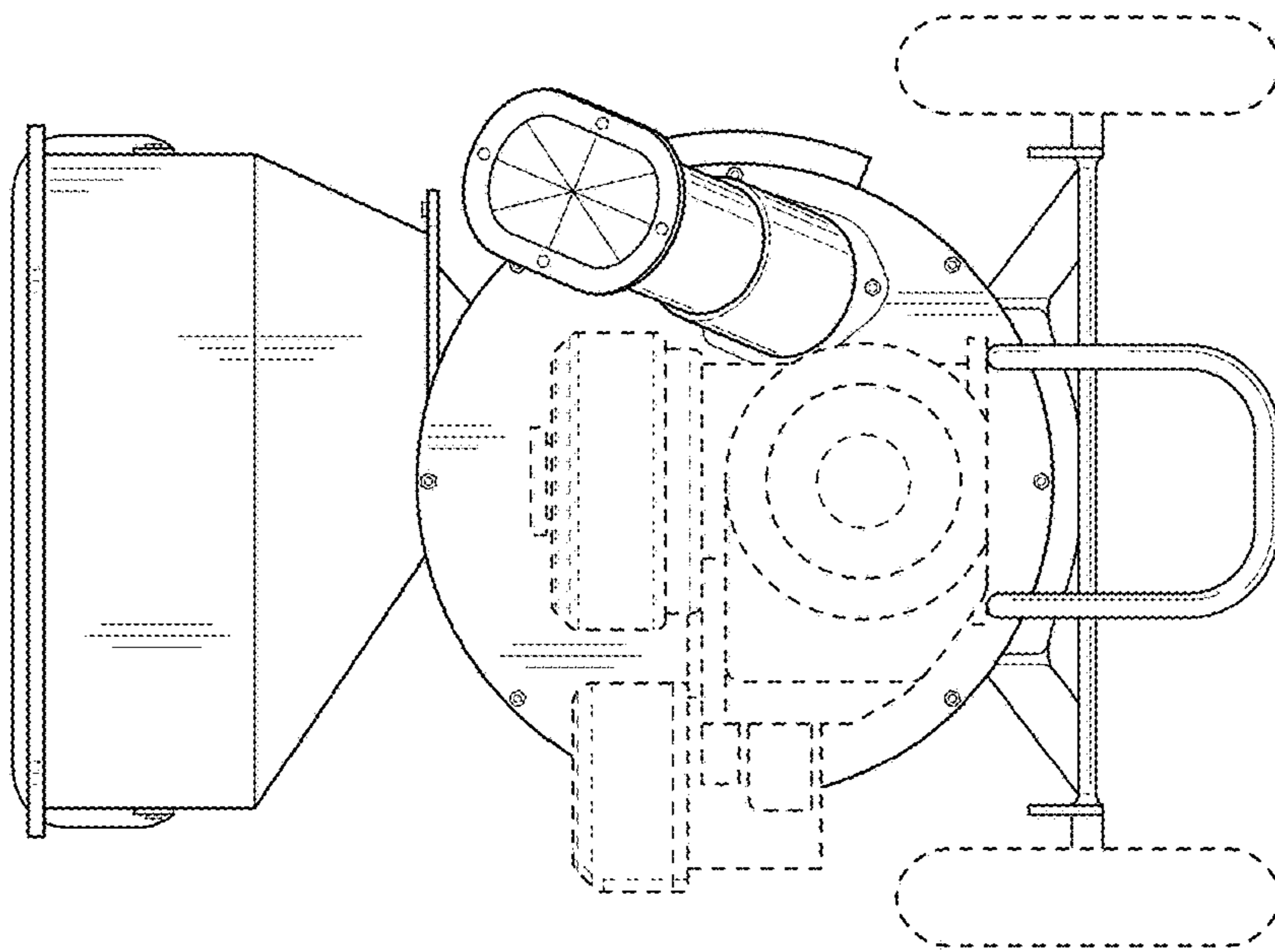


FIG. 2

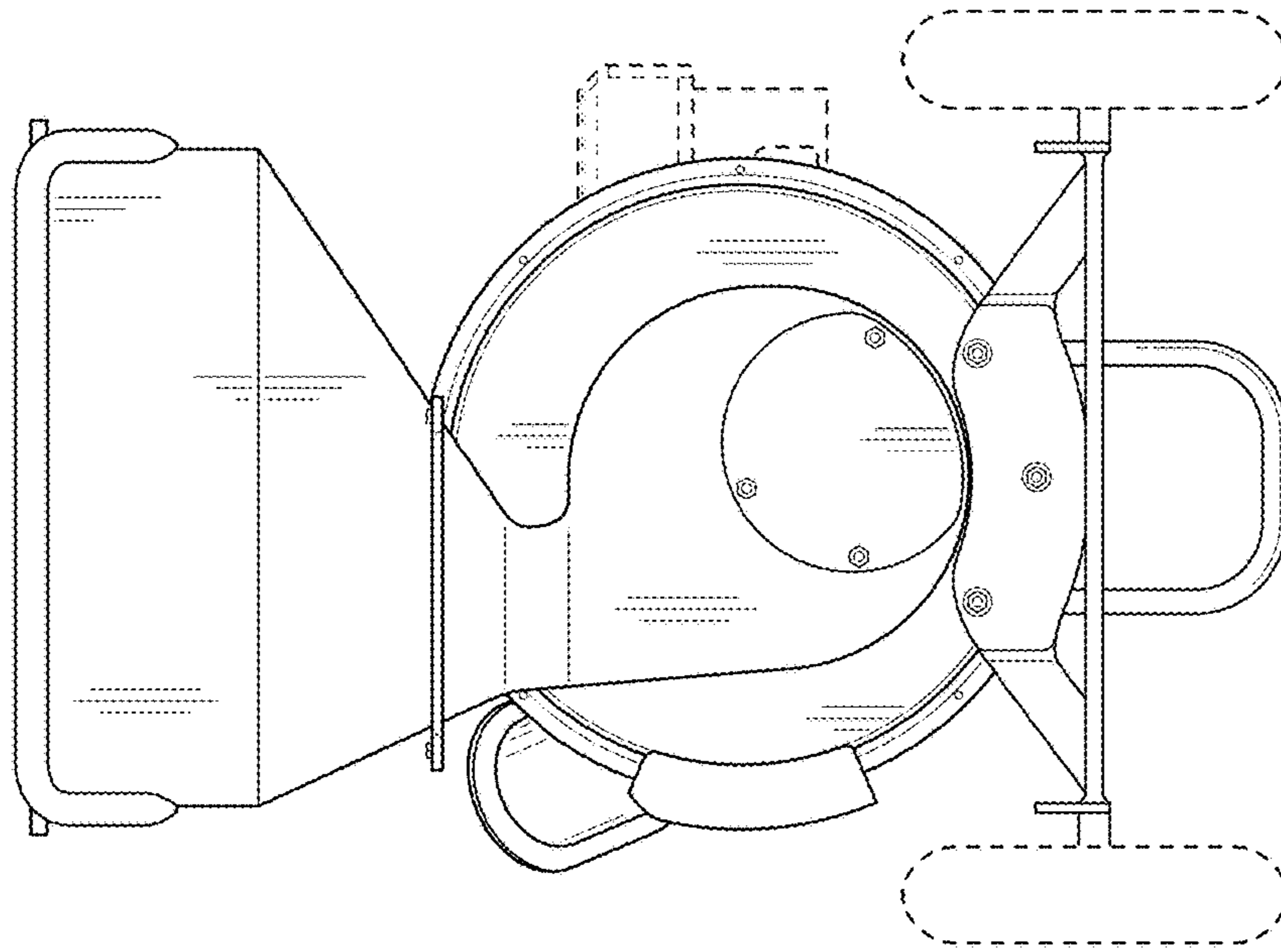


FIG. 5

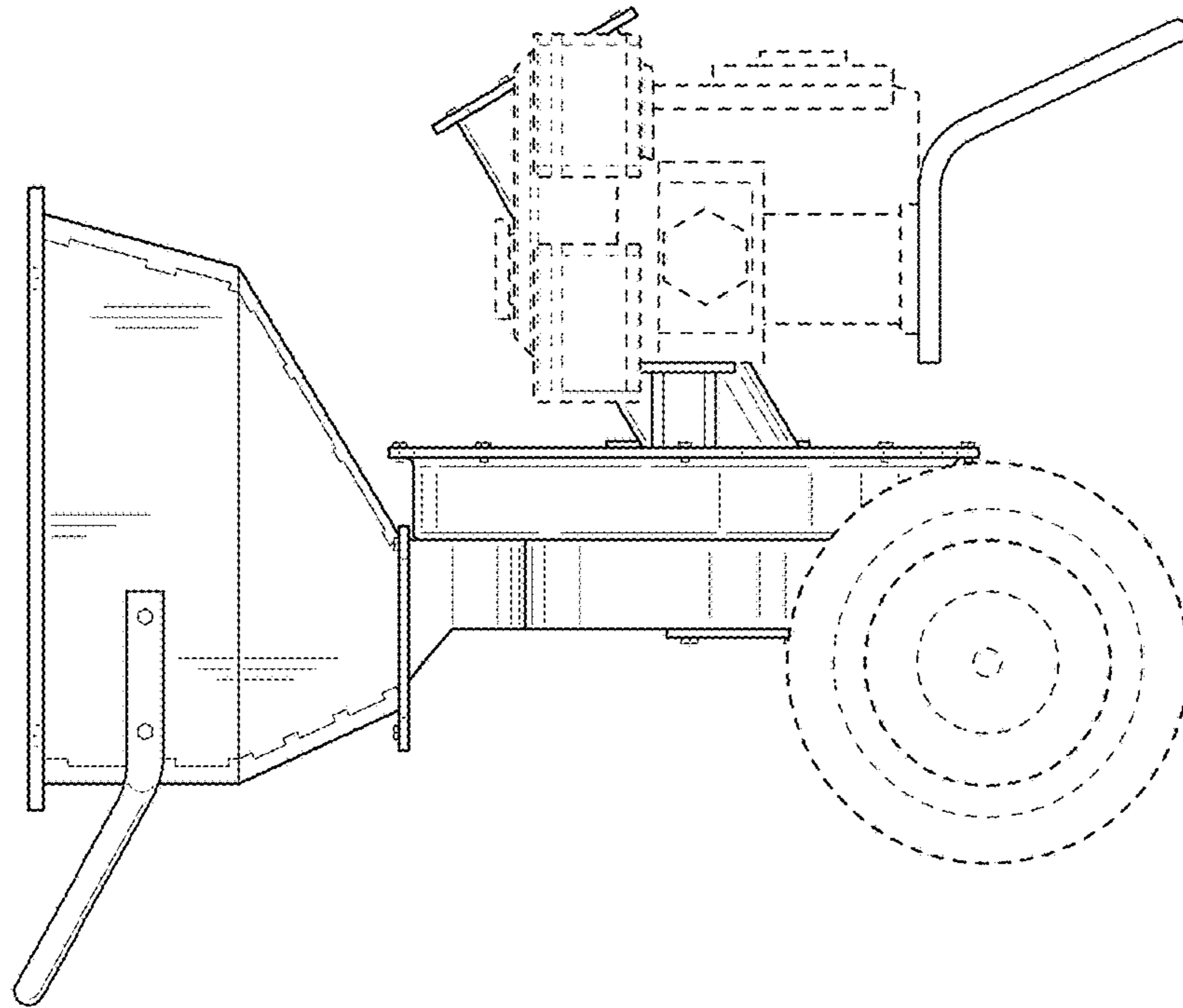


FIG. 4

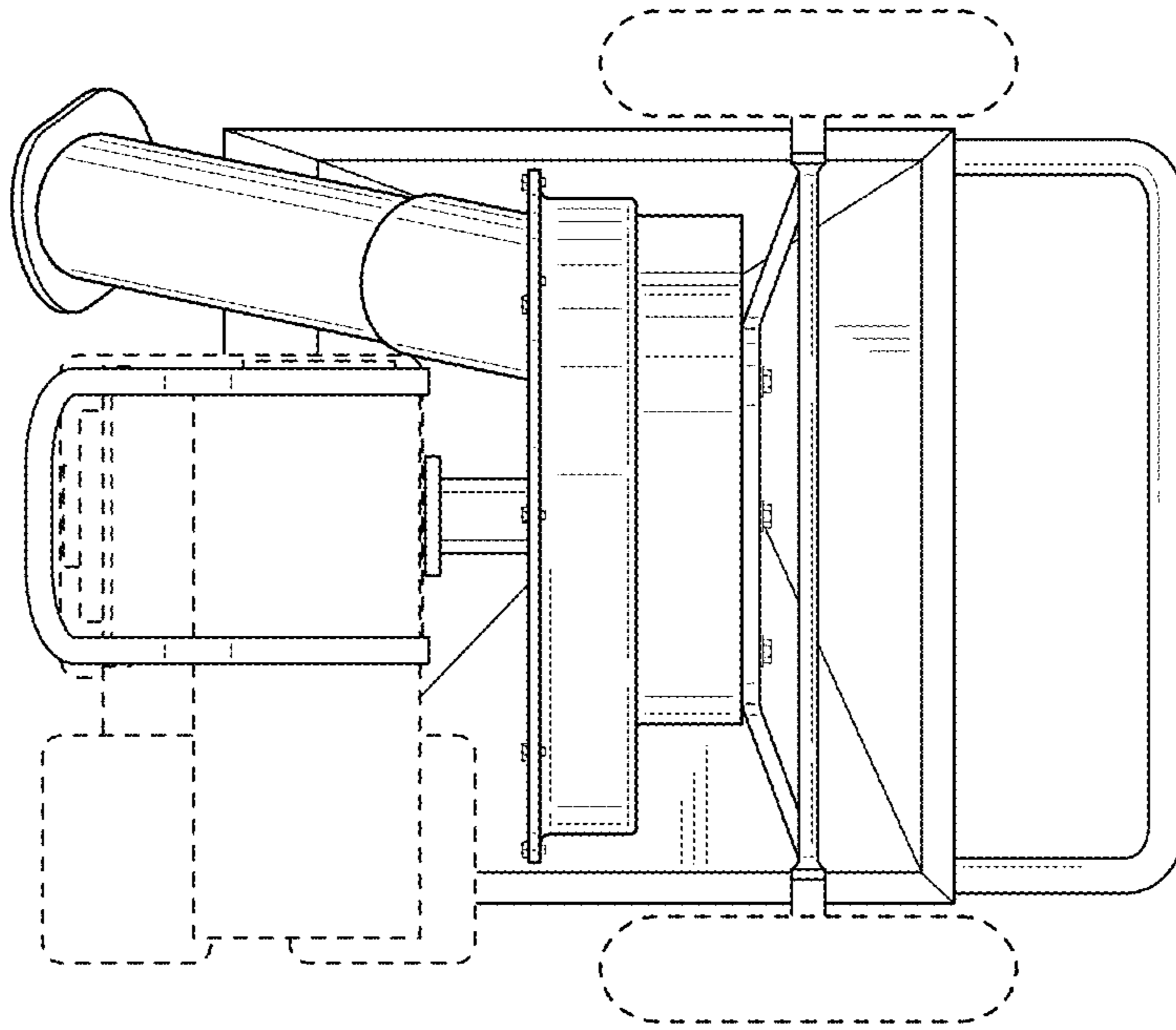


FIG. 7

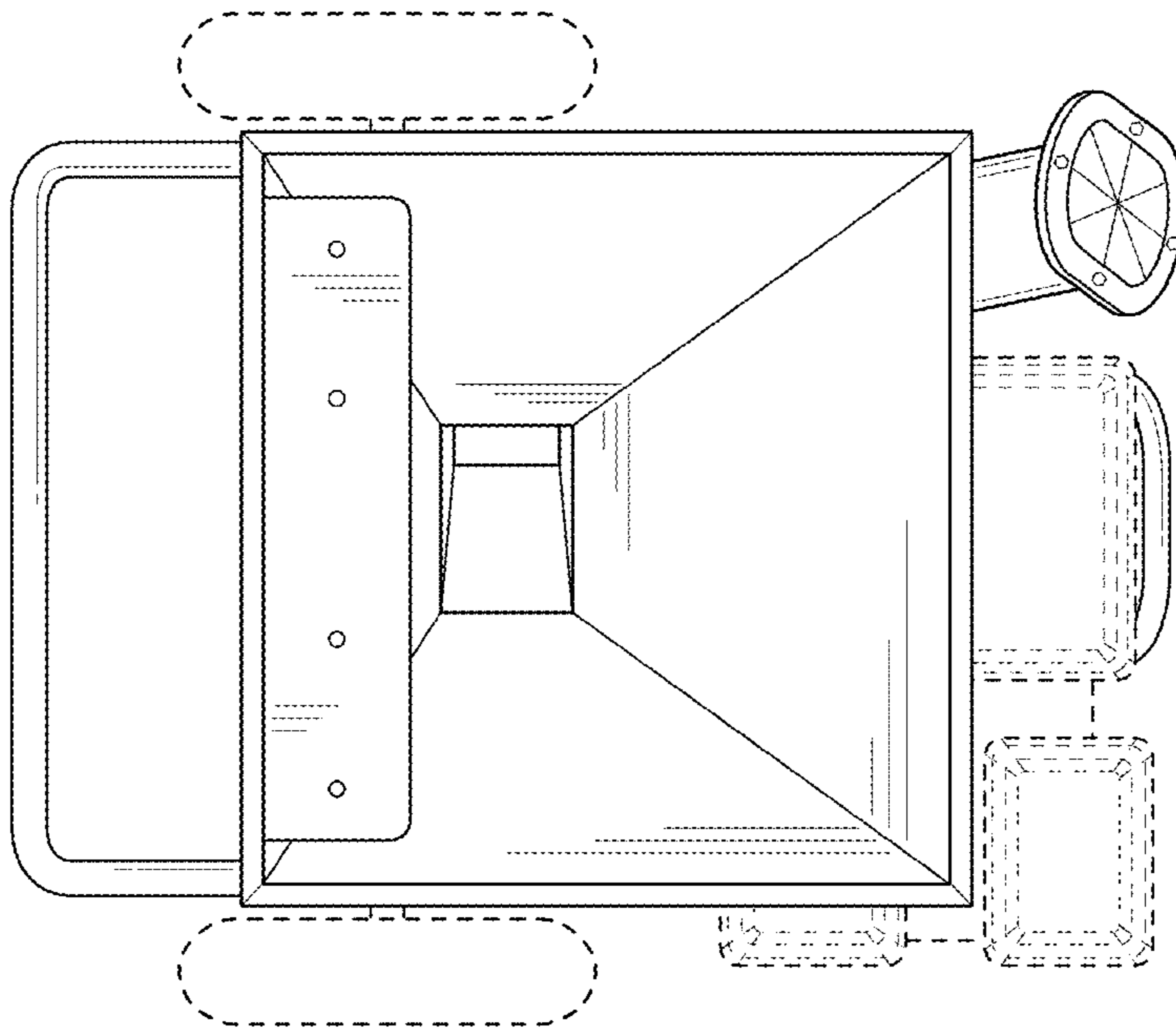


FIG. 6