



US00D781924S

(12) **United States Design Patent**
Araki et al.

(10) **Patent No.:** **US D781,924 S**
(45) **Date of Patent:** **** Mar. 21, 2017**

(54) **DIAPHRAGM PUMP**

(71) Applicant: **YAMADA CORPORATION**, Tokyo (JP)

(72) Inventors: **Nobuyuki Araki**, Tokyo (JP); **Kotaro Yamada**, Tokyo (JP)

(73) Assignee: **YAMADA CORPORATION**, Tokyo (JP)

(**) Term: **15 Years**

(21) Appl. No.: **29/544,083**

(22) Filed: **Oct. 30, 2015**

(30) **Foreign Application Priority Data**

May 18, 2015 (JP) 2015-010818

(51) **LOC (10) Cl.** **15-02**

(52) **U.S. Cl.**
USPC **D15/7**

(58) **Field of Classification Search**
USPC D15/7-9; D23/231, 232, 225; 417/60, 417/235, 265, 321, 355, 358, 363, 359, 417/410.1, 415-416, 405, 900; 60/408, 60/412; 184/26-37; 415/140-147; 123/495, 509; 137/565.34
CPC F02M 37/04; F02M 37/14
See application file for complete search history.

(56) **References Cited**

U.S. PATENT DOCUMENTS

D268,413 S * 3/1983 Wilden D15/7
D275,858 S * 10/1984 Wilden D15/7
D388,796 S * 1/1998 Conti D15/7
D388,797 S * 1/1998 Conti D15/7
5,711,658 A * 1/1998 Conti F04B 43/0736
417/344

D400,210 S * 10/1998 Reynolds D15/7
D435,855 S * 1/2001 Donelson D15/7
D675,231 S 1/2013 Headley et al.
D682,316 S 5/2013 Rogne et al.

FOREIGN PATENT DOCUMENTS

TW D144774 S1 1/2012

OTHER PUBLICATIONS

“Laboratory Equipment & Instruments Filtration Media & Filtration Systems,” HC17054415, Nov. 25, 2005, 1 page.
HA06008374, M&E, May 1, 1994, 1 page.
HA06015161, M&E, Sep. 1, 1994, 1 page.
HC24001370, NDP-P20BTT, May 23, 2012, 2 pages.

* cited by examiner

Primary Examiner — Ralf Seifert

(74) *Attorney, Agent, or Firm* — Birch, Stewart, Kolasch & Birch, LLP

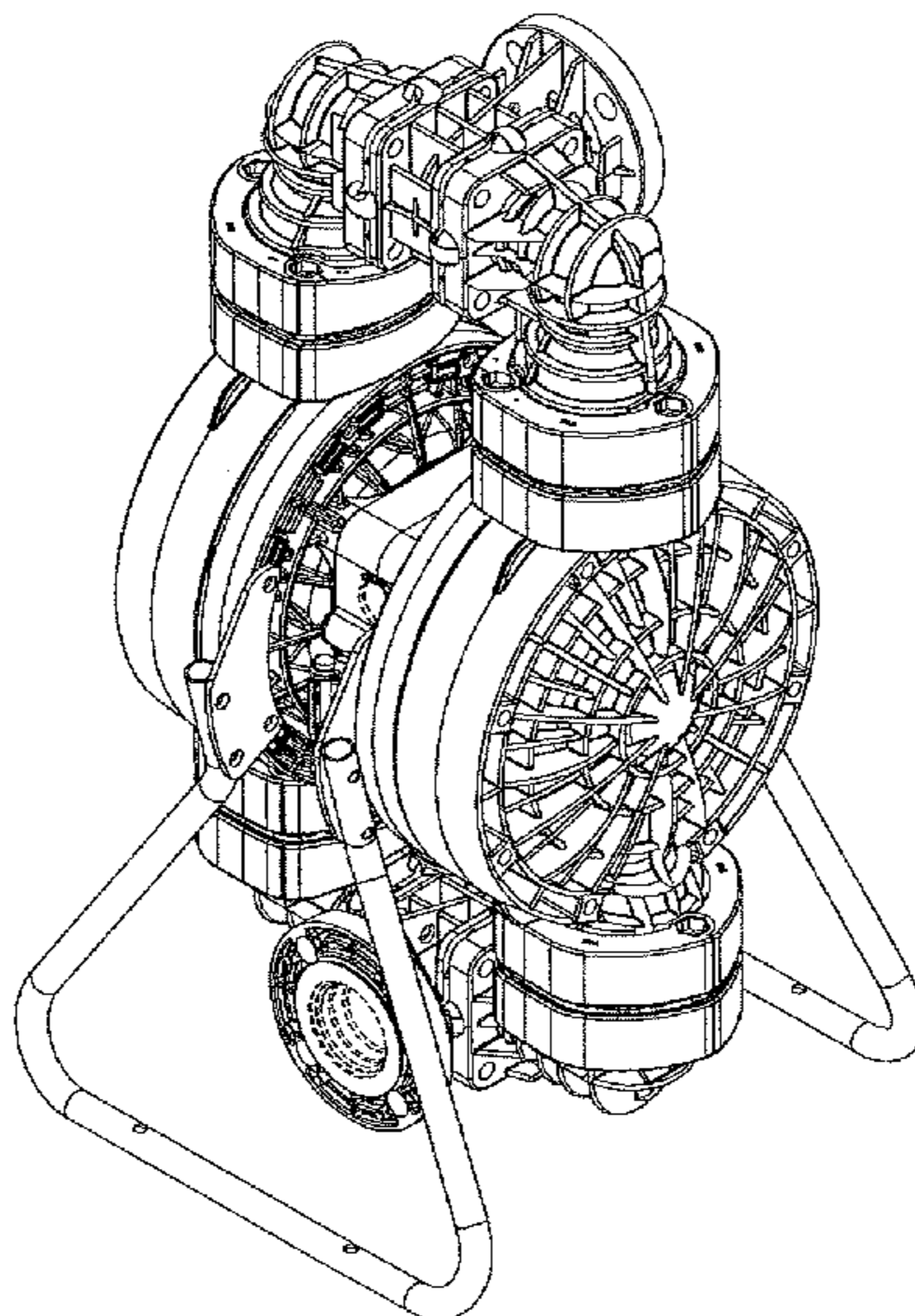
(57) **CLAIM**

The ornamental design for a diaphragm pump, as shown and described.

DESCRIPTION

FIG. 1 is a front view of a diaphragm pump showing our new design;
FIG. 2 is a back view thereof;
FIG. 3 is a right side view thereof;
FIG. 4 is a left view thereof;
FIG. 5 is a top view thereof;
FIG. 6 is a bottom view thereof;
FIG. 7 is a top perspective view; and,
FIG. 8 is a bottom perspective view.
The broken lines are included for the purpose of illustrating portions of the diaphragm pump that form no part of the claimed design.

1 Claim, 8 Drawing Sheets



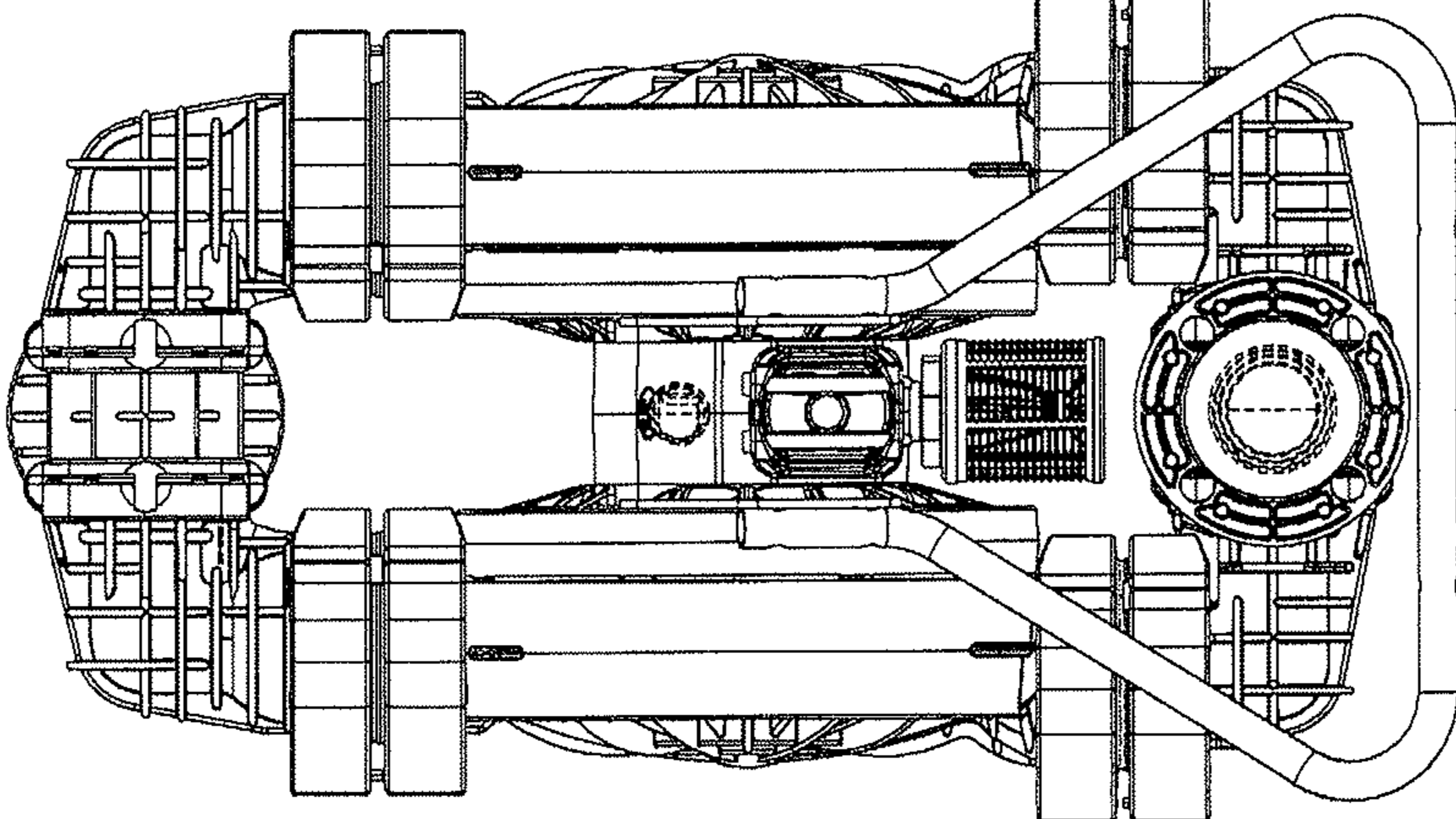


FIG. 1

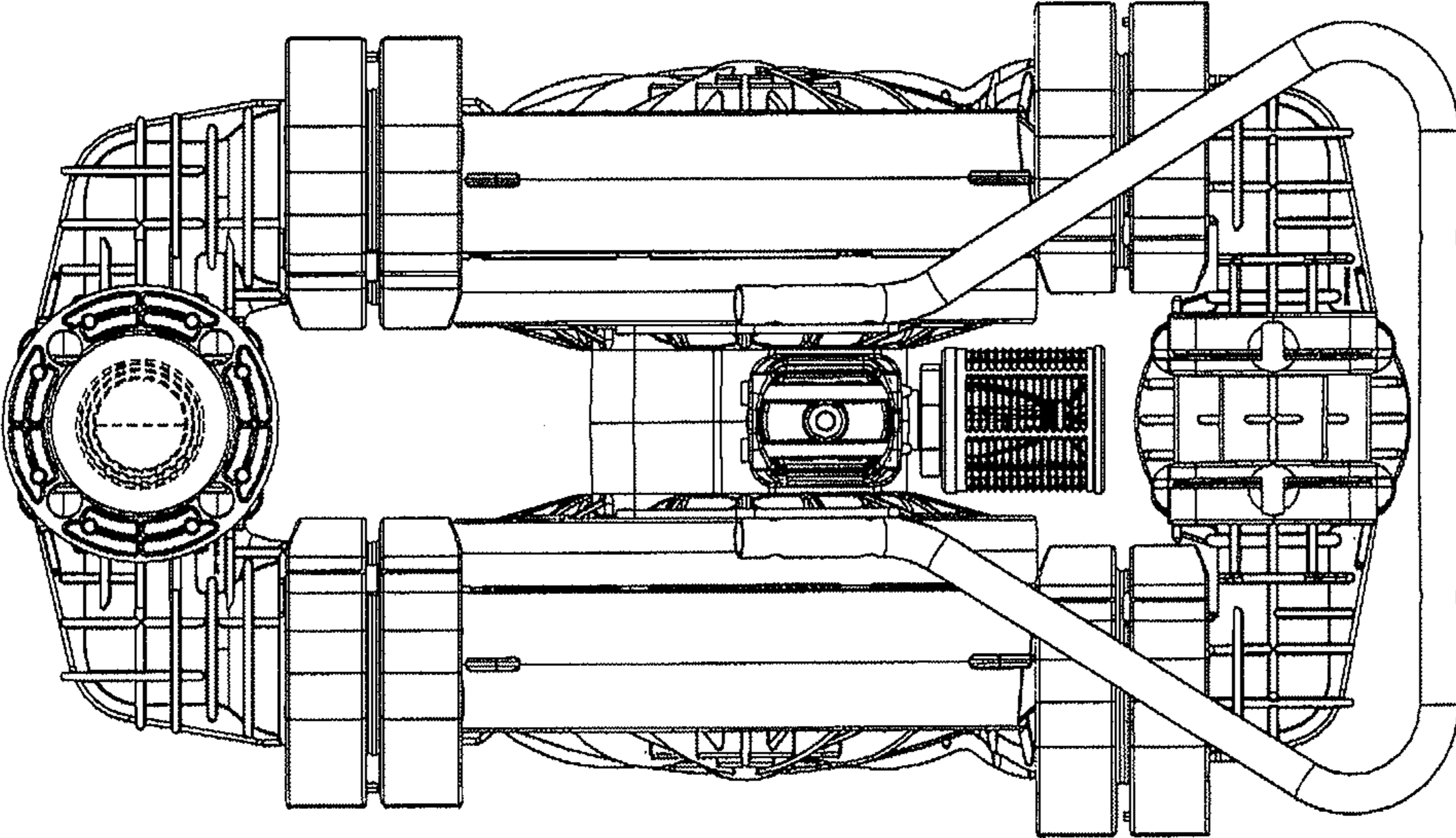


FIG. 2

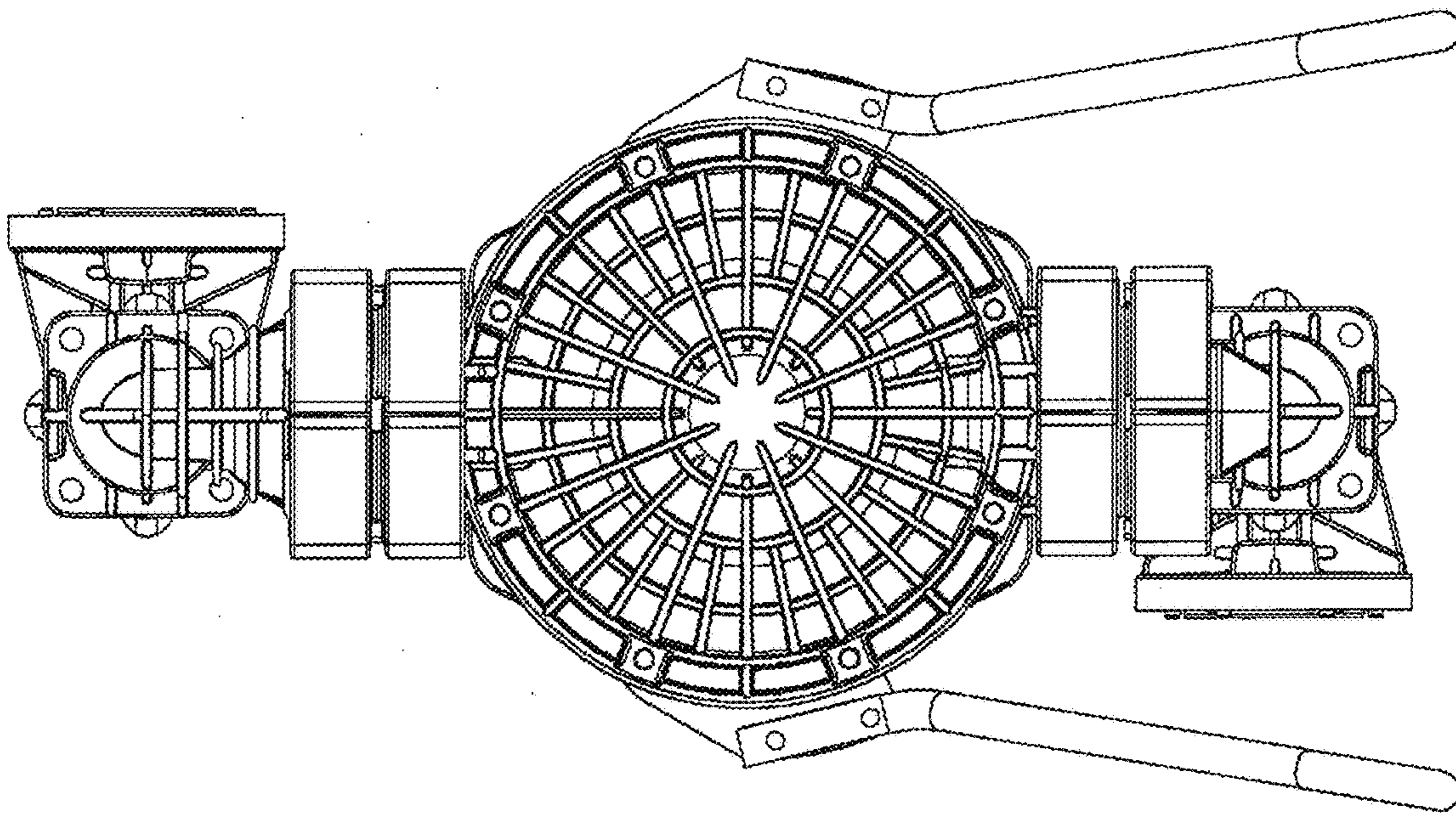


FIG. 3

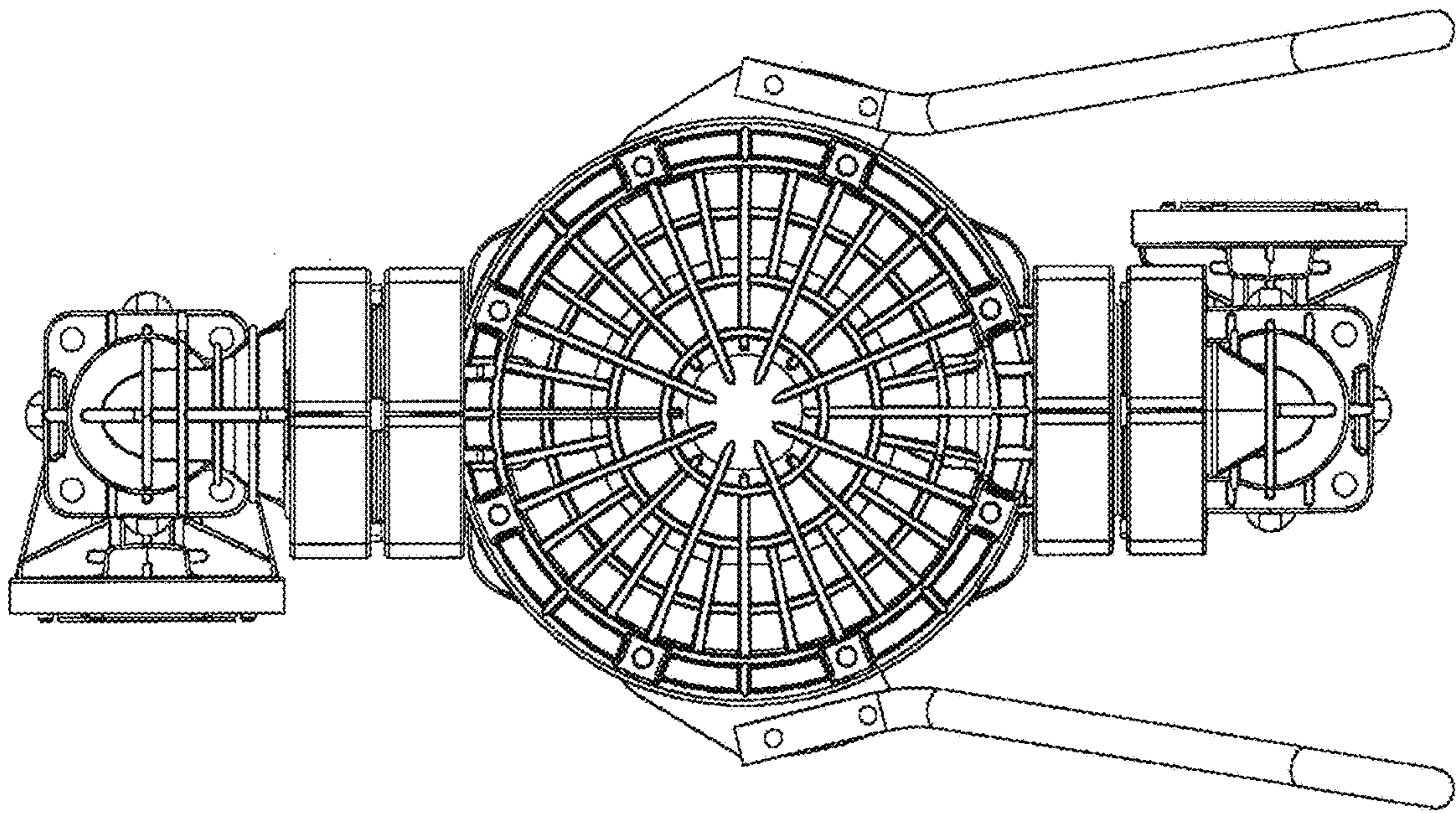


FIG. 4

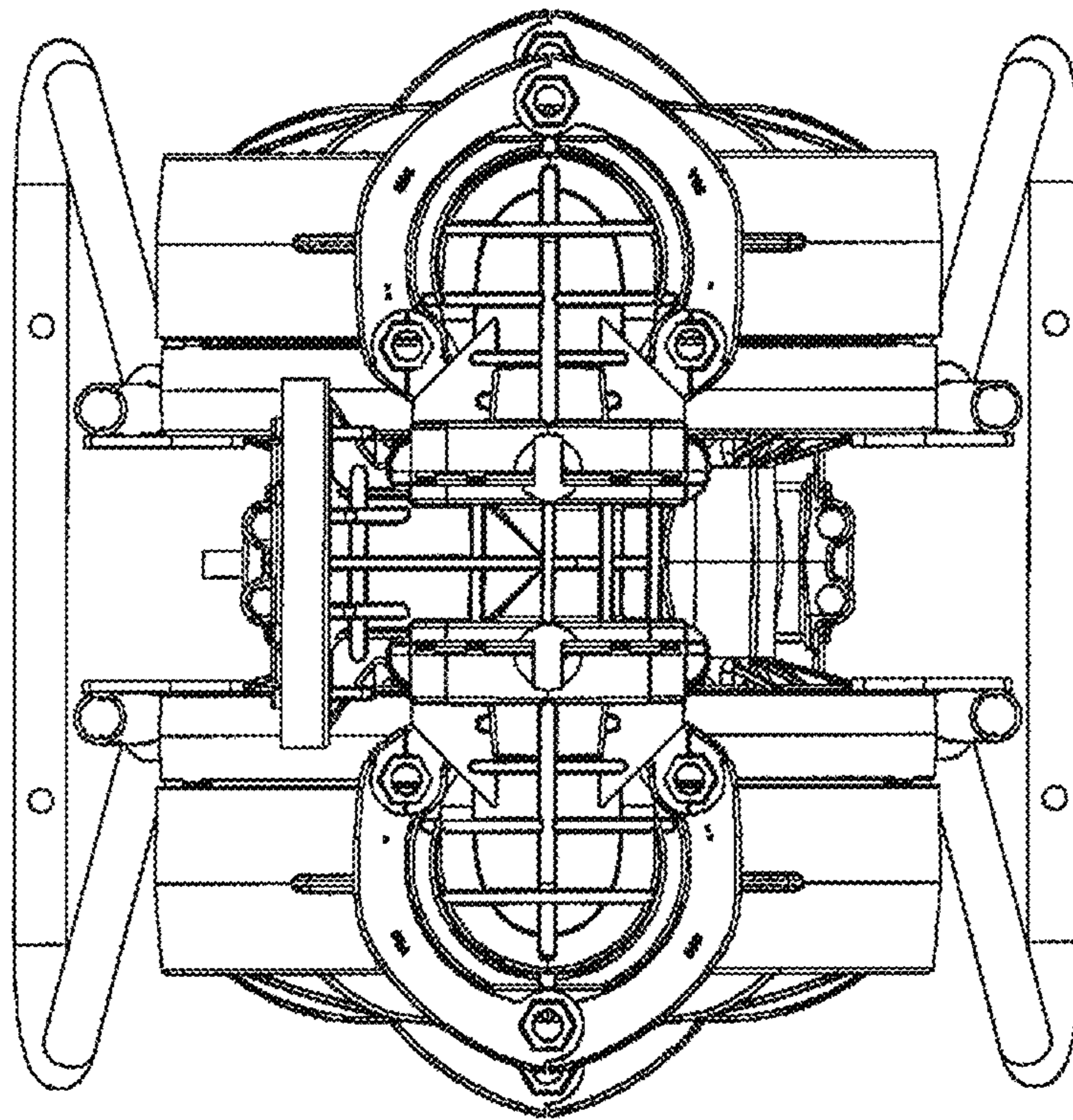


FIG. 5

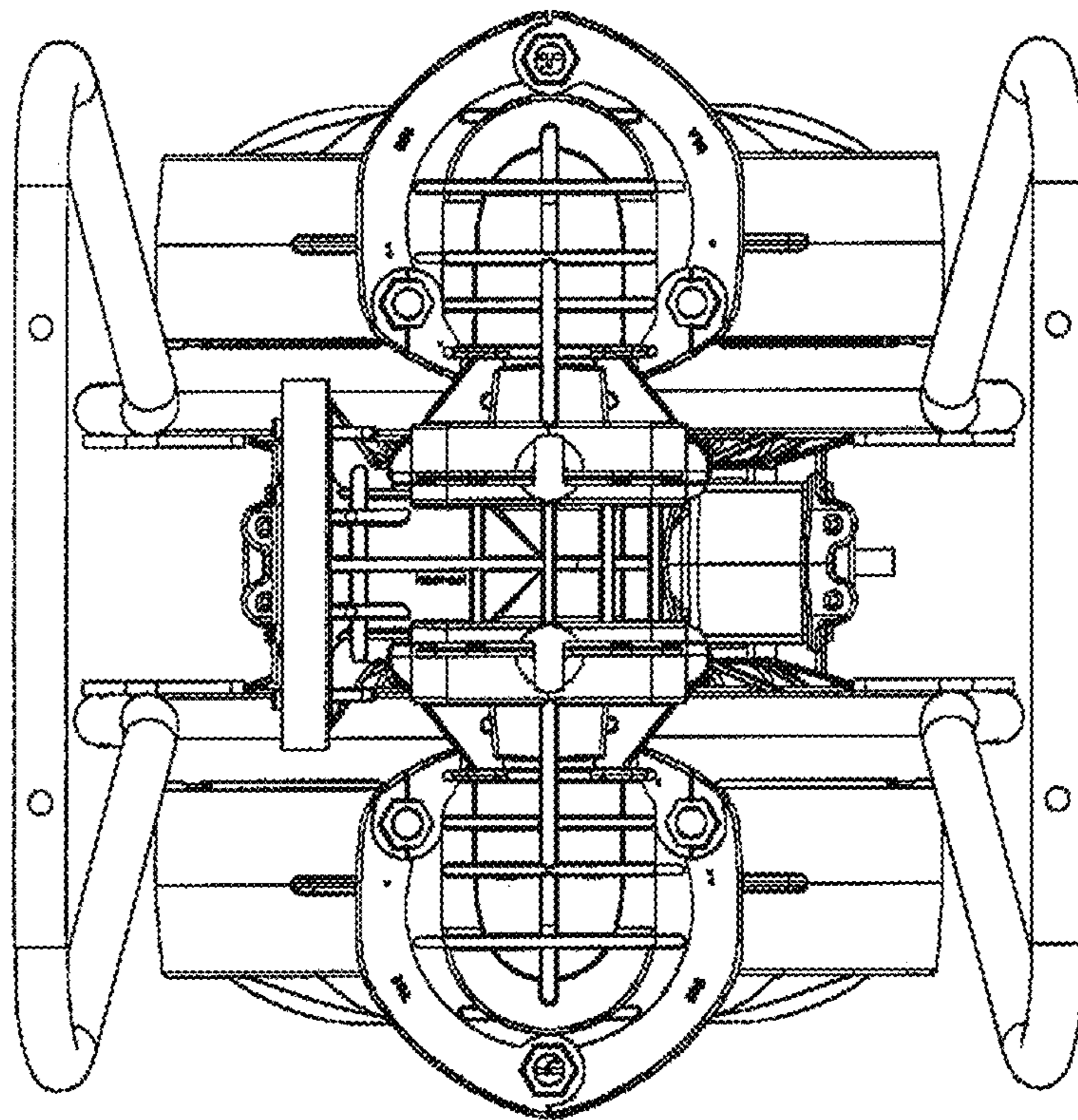


FIG. 6

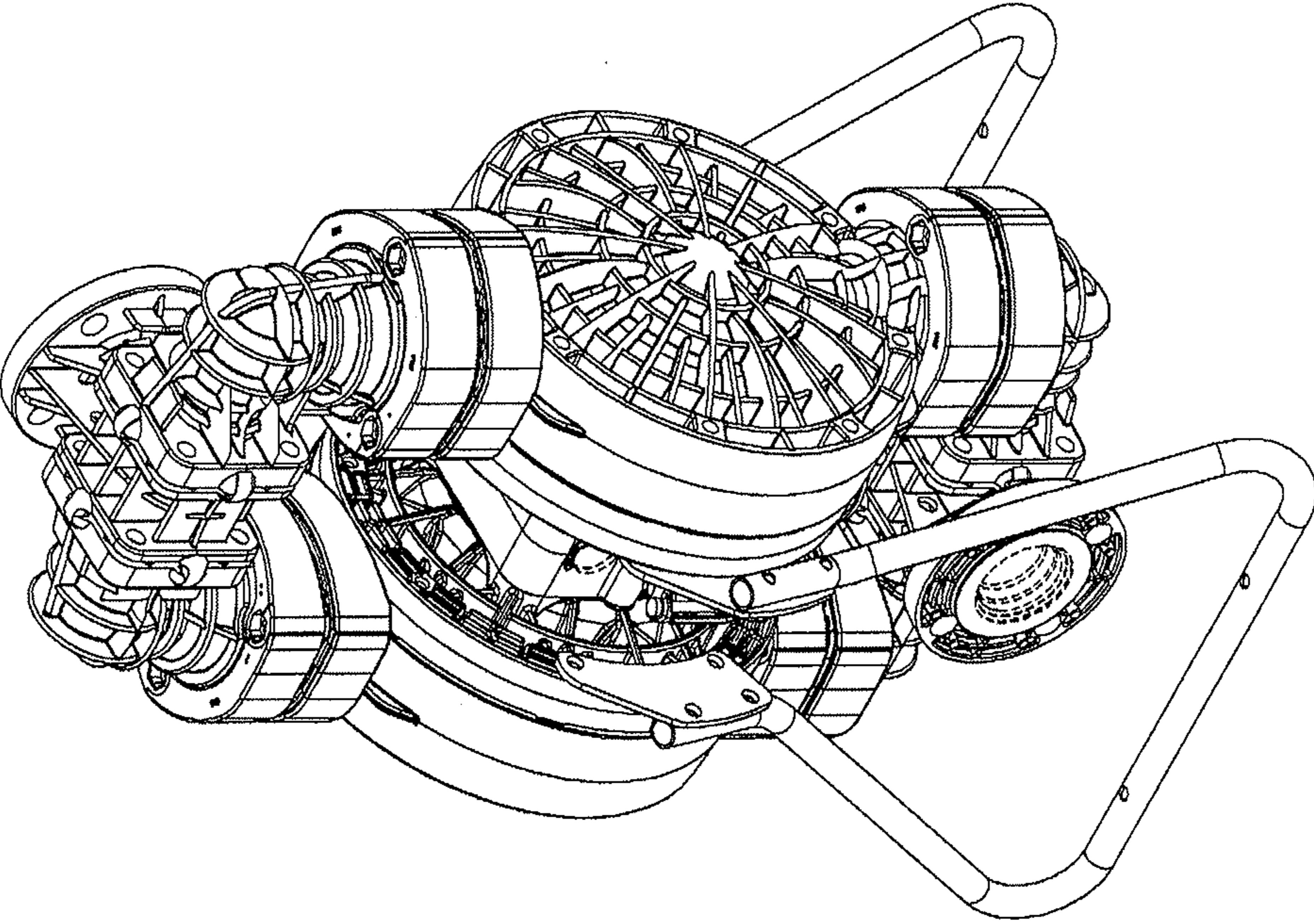


FIG. 7

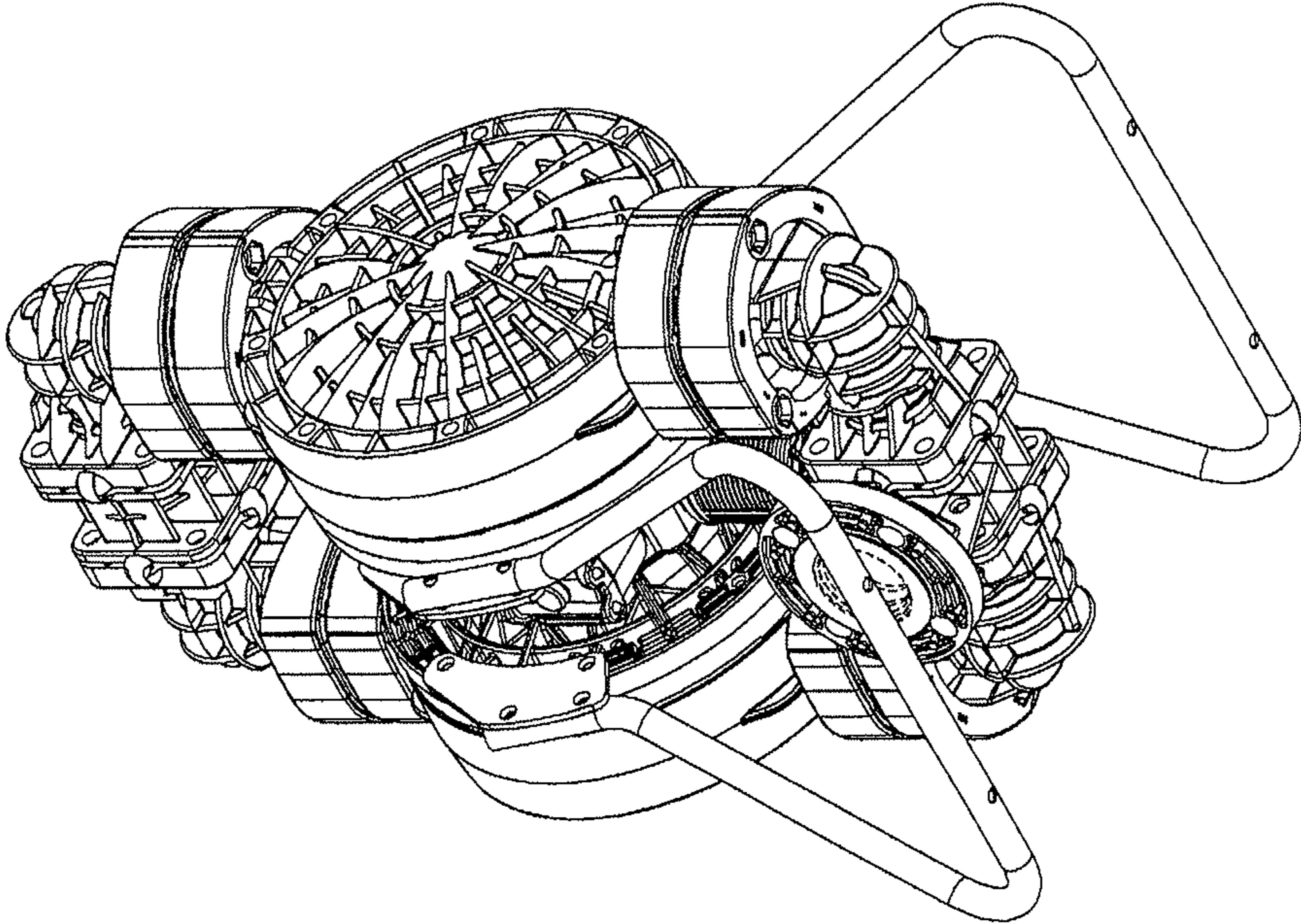


FIG. 8