



US00D781923S

(12) **United States Design Patent** (10) **Patent No.:** **US D781,923 S**
Suwabe et al. (45) **Date of Patent:** **** Mar. 21, 2017**

(54) **DIAPHRAGM PUMP**
(71) Applicant: **YAMADA CORPORATION**, Tokyo (JP)
(72) Inventors: **Satoru Suwabe**, Tokyo (JP); **Kotaro Yamada**, Tokyo (JP)
(73) Assignee: **YAMADA CORPORATION**, Tokyo (JP)
(**) Term: **15 Years**

D667,465 S * 9/2012 Headley D15/7
D675,231 S 1/2013 Headley et al.
D682,316 S 5/2013 Rogne et al.
D692,923 S * 11/2013 Conrad D15/7
D746,872 S * 1/2016 Davis D15/7
D746,873 S * 1/2016 Davis D15/7
(Continued)

FOREIGN PATENT DOCUMENTS

JP D1493139 S 3/2014
JP D1493140 S 3/2014
TW D144577 S1 12/2011

(21) Appl. No.: **29/544,082**
(22) Filed: **Oct. 30, 2015**
(30) **Foreign Application Priority Data**
May 18, 2015 (JP) 2015-010819
(51) **LOC (10) Cl.** **15-02**
(52) **U.S. Cl.**
USPC **D15/7**
(58) **Field of Classification Search**
USPC D15/7-9; D23/231, 232, 225; 417/60,
417/235, 265, 321, 355, 358, 363, 359,
417/410.1, 415-416, 405, 900; 60/408,
60/412; 184/26-37; 415/140-147;
123/495, 509; 137/565.34
CPC F02M 37/04; F02M 37/14
See application file for complete search history.

OTHER PUBLICATIONS

Yamada, "FDA Compliant Pumps", FDA, HC23010591, Nov. 24, 2011, 1 page.

Primary Examiner — Ralf Seifert
(74) *Attorney, Agent, or Firm* — Birch, Stewart, Kolasch & Birch, LLP

(57) **CLAIM**

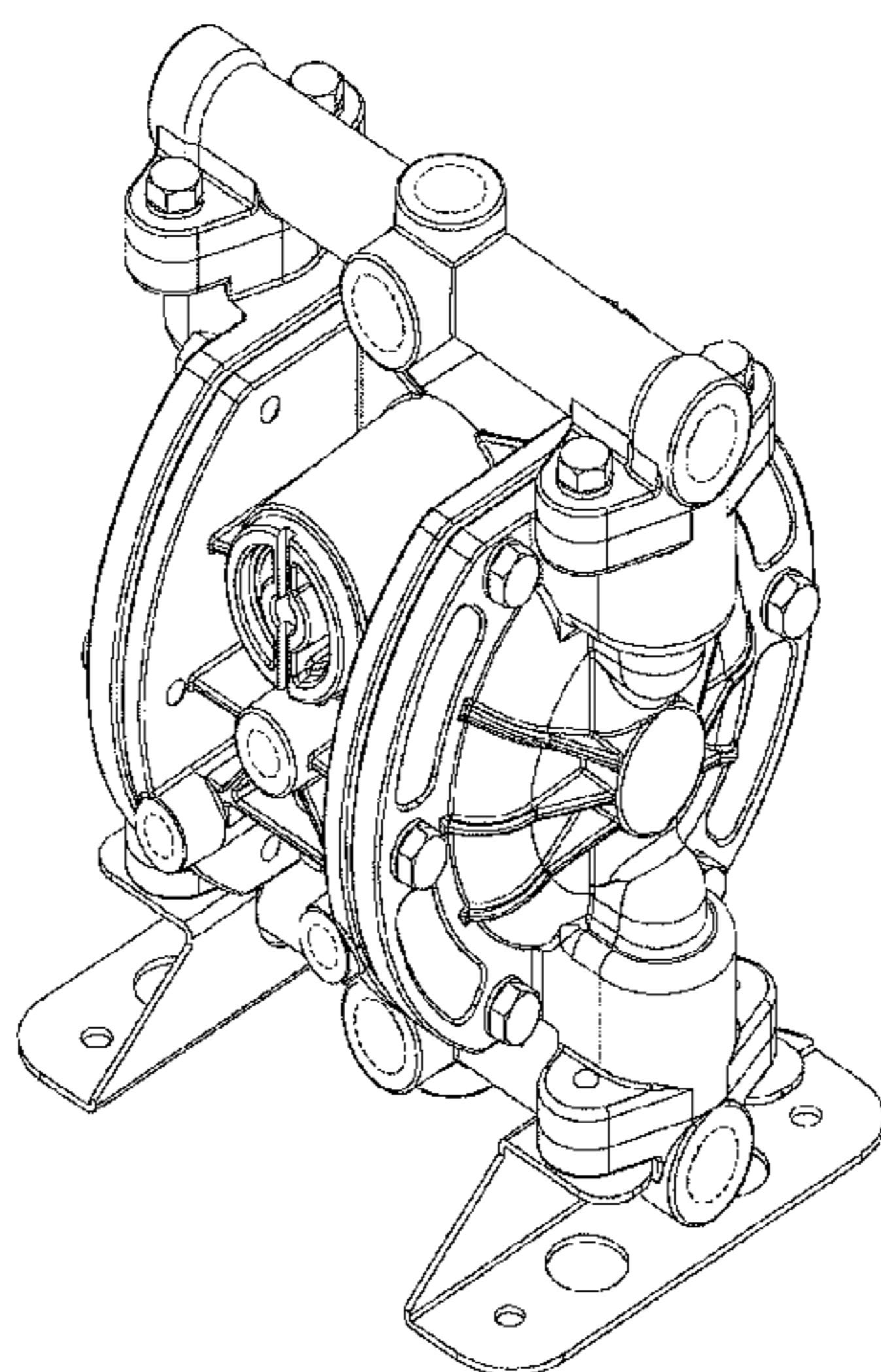
The ornamental design for a diaphragm pump, as shown and described.

DESCRIPTION

FIG. 1 is a front view of a diaphragm pump showing our new design;
FIG. 2 is a back view thereof;
FIG. 3 is a right side view thereof;
FIG. 4 is a left view thereof;
FIG. 5 is a top view thereof;
FIG. 6 is a bottom view thereof;
FIG. 7 is a top perspective view; and,
FIG. 8 is a bottom perspective view.
The broken lines are included for the purpose of illustrating portions of the diaphragm pump that form no part of the claimed design.

(56) **References Cited**
U.S. PATENT DOCUMENTS
D268,413 S * 3/1983 Wilden D15/7
D294,947 S * 3/1988 Wilden D15/7
D370,488 S * 6/1996 Kozumplik, Jr. D15/7
D380,218 S * 6/1997 McKee D15/7
D400,210 S * 10/1998 Reynolds D15/7
D435,855 S * 1/2001 Donelson D15/7
D484,145 S * 12/2003 Roberts D15/7
D515,101 S * 2/2006 Wiechers D15/7

1 Claim, 8 Drawing Sheets



(56)

References Cited

U.S. PATENT DOCUMENTS

D746,874 S * 1/2016 Davis D15/7
D747,362 S * 1/2016 Davis D15/7

* cited by examiner

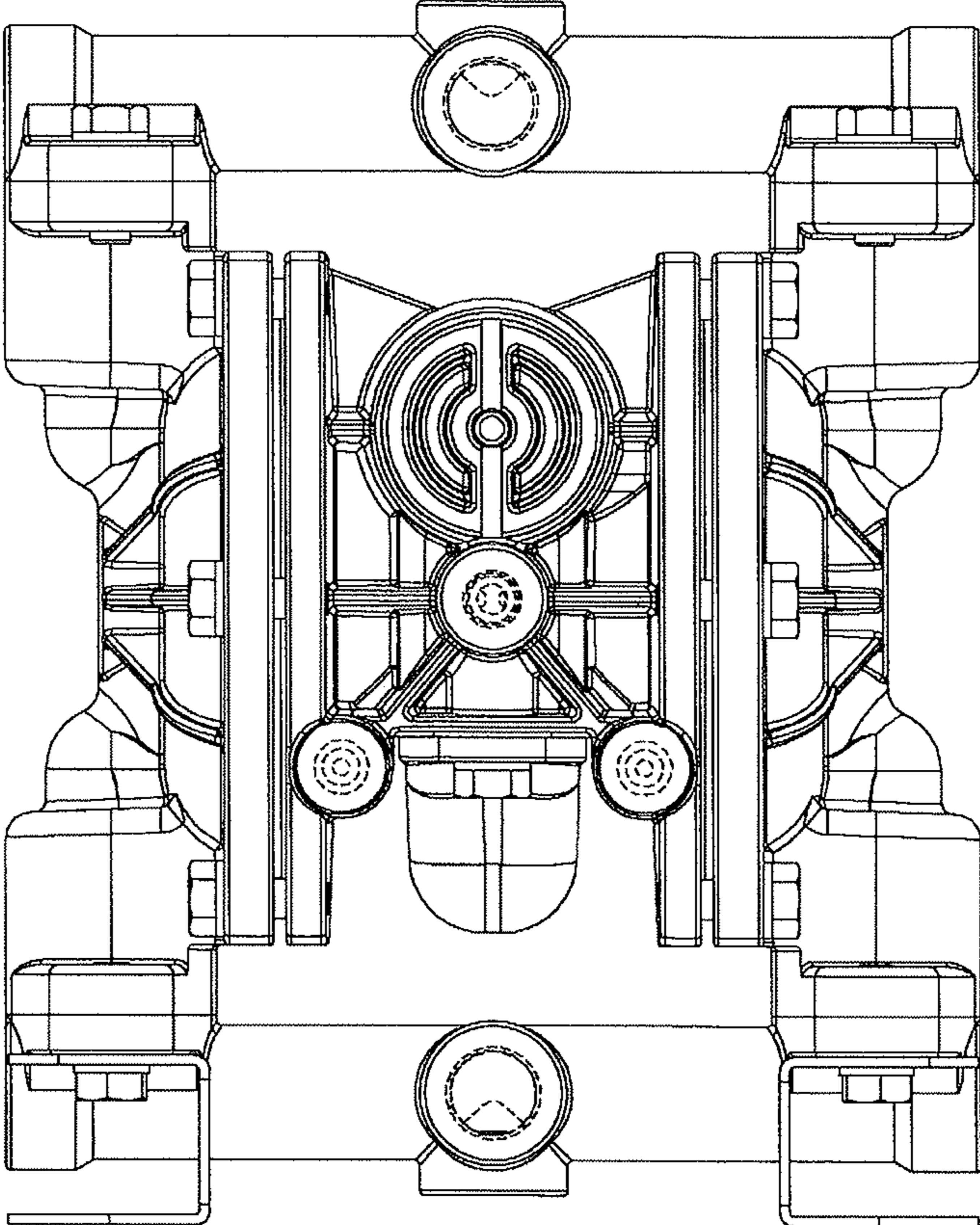


FIG. 1

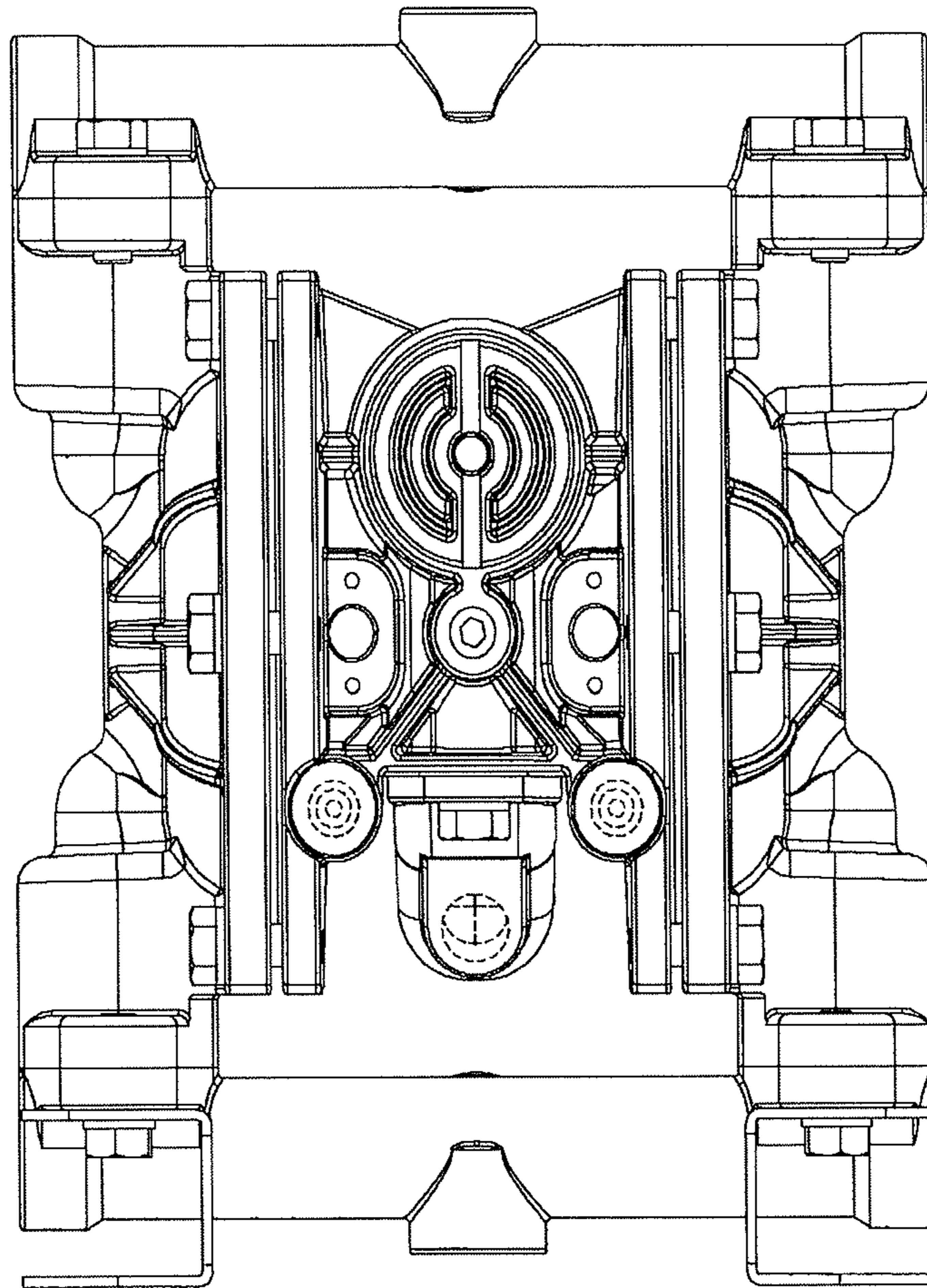


FIG. 2

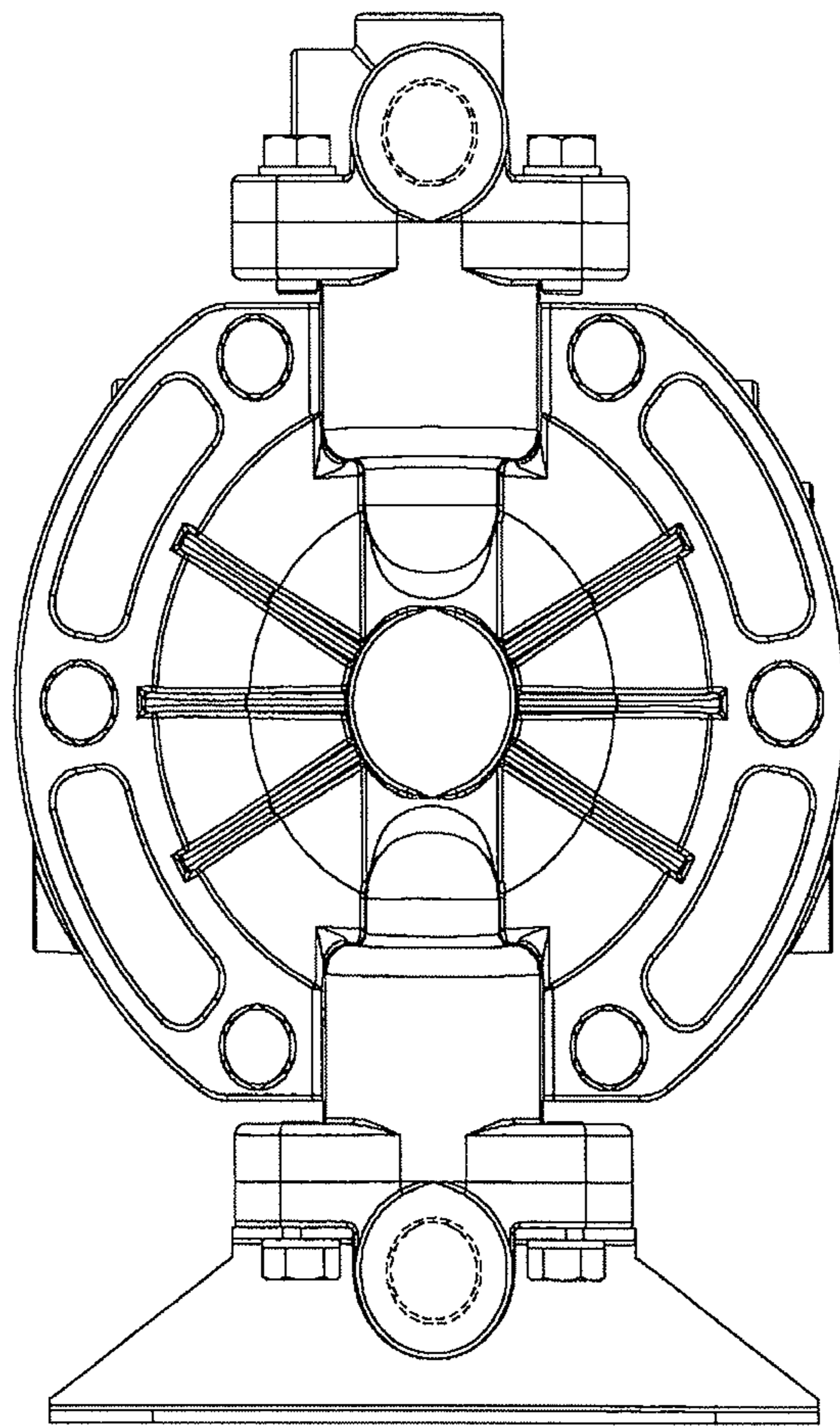


FIG. 3

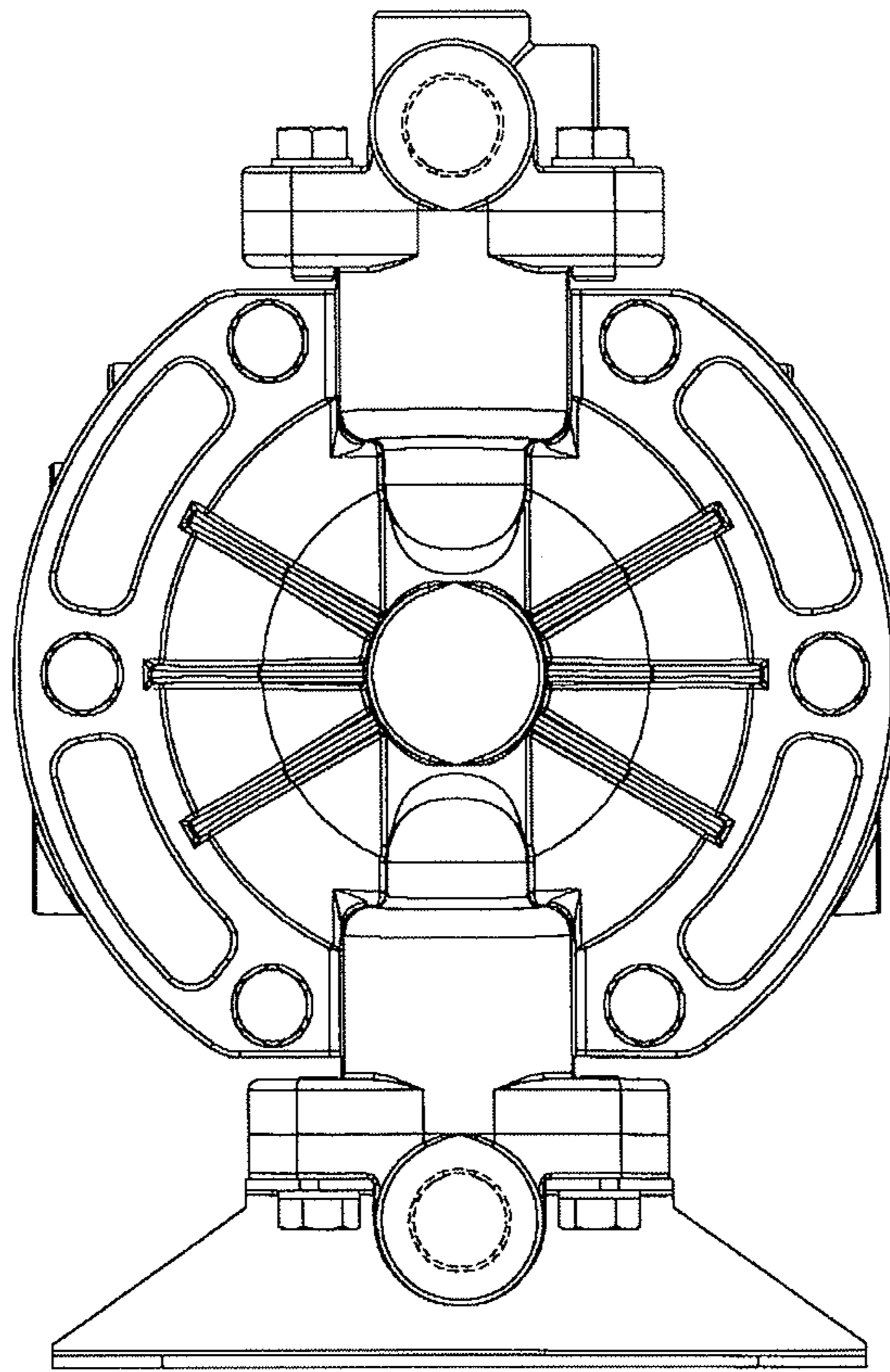


FIG. 4

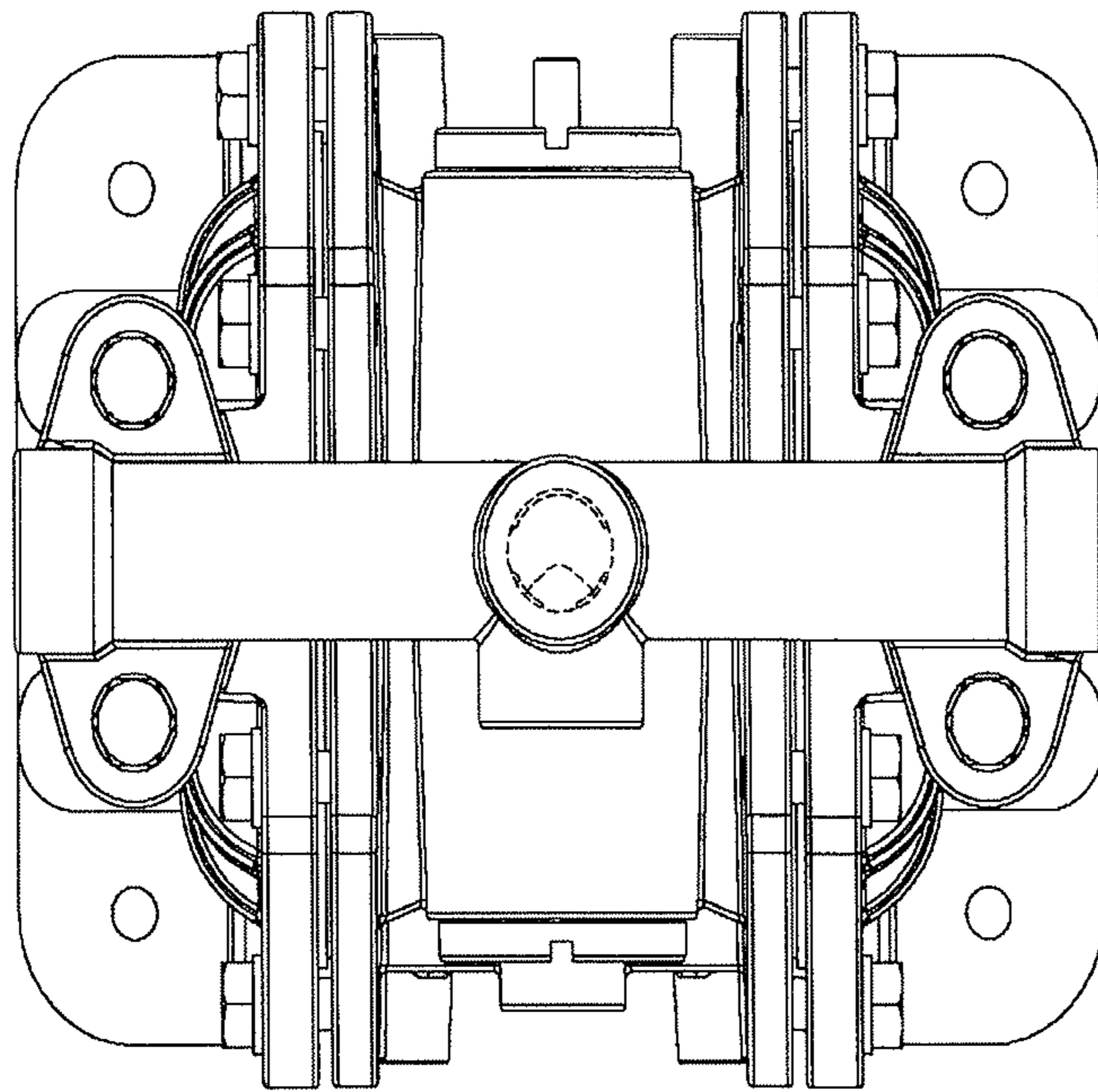


FIG. 5

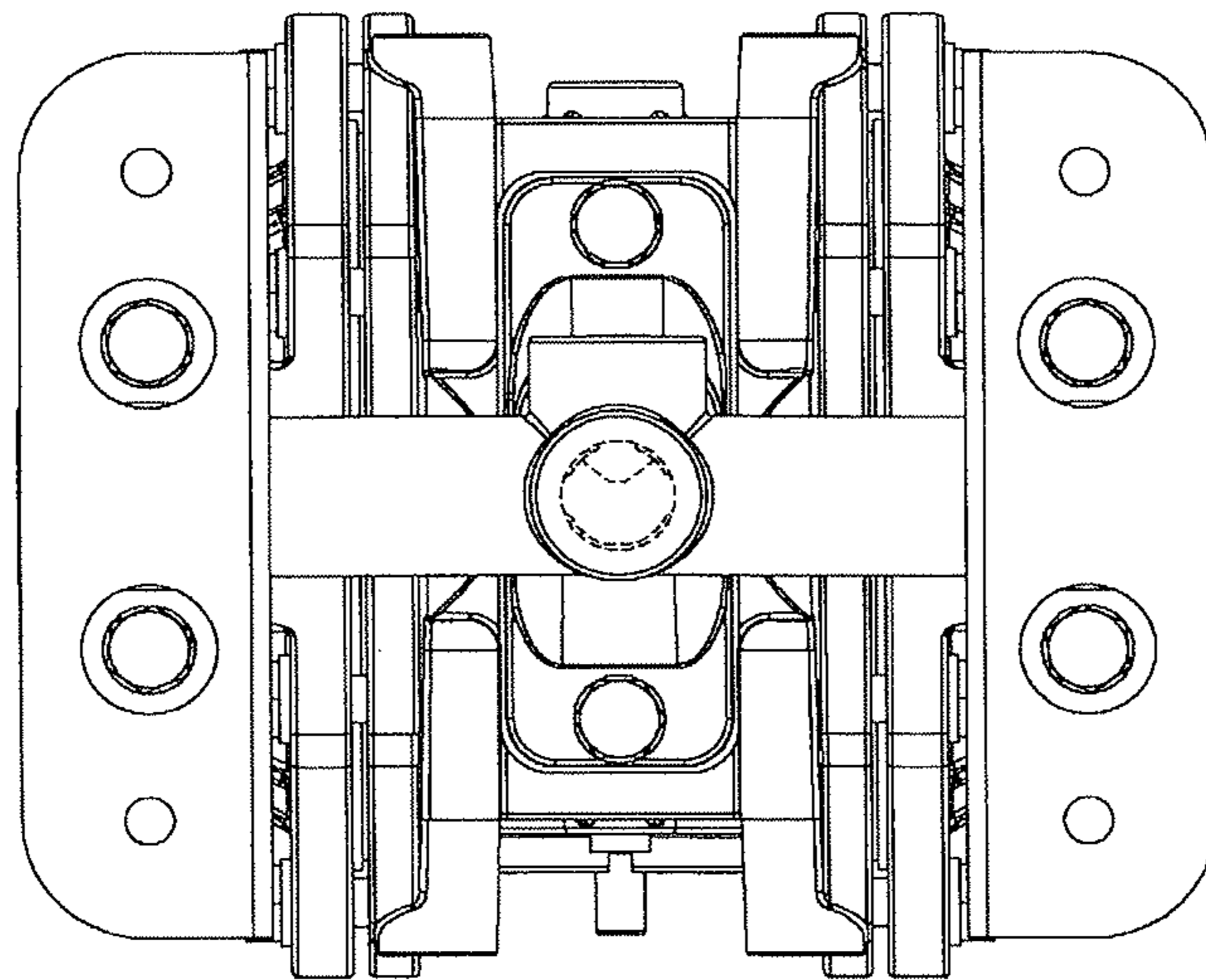


FIG. 6

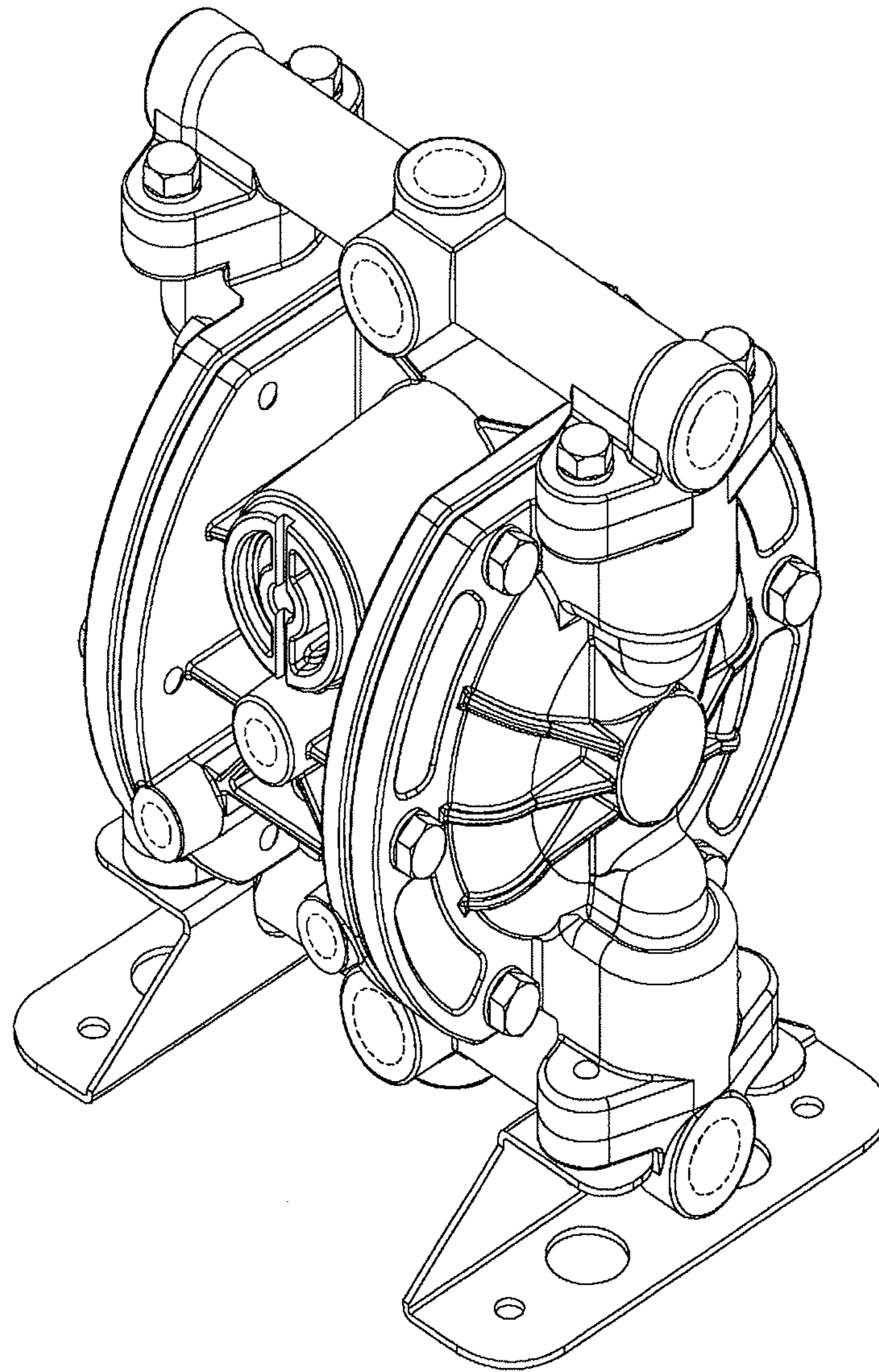


FIG. 7

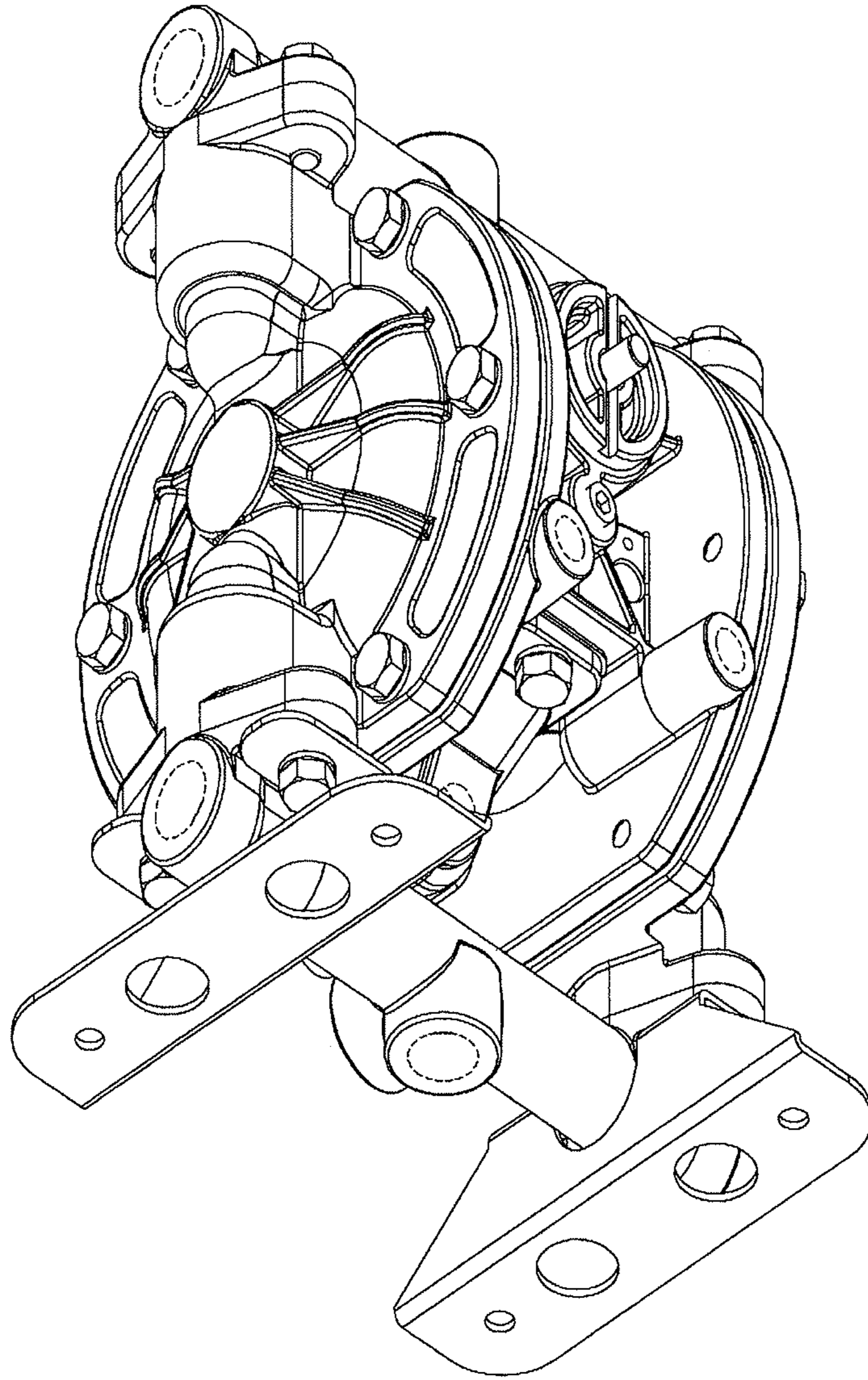


FIG. 8