



US00D781922S

(12) **United States Design Patent**  
**Suwabe et al.**

(10) **Patent No.:** **US D781,922 S**  
(45) **Date of Patent:** **\*\* Mar. 21, 2017**

(54) **DIAPHRAGM PUMP**

(71) Applicant: **YAMADA CORPORATION**, Tokyo (JP)

(72) Inventors: **Satoru Suwabe**, Tokyo (JP); **Kotaro Yamada**, Tokyo (JP)

(73) Assignee: **YAMADA CORPORATION**, Tokyo (JP)

(\*\*) Term: **15 Years**

(21) Appl. No.: **29/544,078**

(22) Filed: **Oct. 30, 2015**

(30) **Foreign Application Priority Data**

Jul. 31, 2015 (JP) ..... 2015-017145

(51) **LOC (10) Cl.** ..... **15-02**

(52) **U.S. Cl.**  
USPC ..... **D15/7**

(58) **Field of Classification Search**  
USPC ..... D15/7-9; D23/231, 232, 225; 417/60, 417/235, 265, 321, 355, 358, 363, 359, 417/410.1, 415-416, 405, 900; 60/408, 60/412; 184/26-37; 415/140-147; 123/495, 509; 137/565.34  
CPC ..... F02M 37/04; F02M 37/14  
See application file for complete search history.

(56) **References Cited**

**U.S. PATENT DOCUMENTS**

D268,413 S \* 3/1983 Wilden ..... D15/7  
D294,947 S \* 3/1988 Wilden ..... D15/7  
D370,488 S \* 6/1996 Kozumplik, Jr. .... D15/7  
D380,218 S \* 6/1997 McKee ..... D15/7  
D400,210 S \* 10/1998 Reynolds ..... D15/7  
D435,855 S \* 1/2001 Donelson ..... D15/7  
D484,145 S \* 12/2003 Roberts ..... D15/7

D515,101 S \* 2/2006 Wiechers ..... D15/7  
D667,465 S \* 9/2012 Headley ..... D15/7  
D675,231 S 1/2013 Headley et al.  
D682,316 S 5/2013 Rogne et al.  
D692,923 S \* 11/2013 Conrad ..... D15/7  
(Continued)

**FOREIGN PATENT DOCUMENTS**

JP D1493139 S 3/2014  
JP D1493140 S 3/2014  
(Continued)

**OTHER PUBLICATIONS**

U.S. Appl. No. 29/544,083, filed Oct. 30, 2015.  
U.S. Appl. No. 29/544,082, filed Oct. 30, 2015.  
HJ26010660, May 20, 2014, 1 page.

*Primary Examiner* — Ralf Seifert  
(74) *Attorney, Agent, or Firm* — Birch, Stewart, Kolasch & Birch, LLP

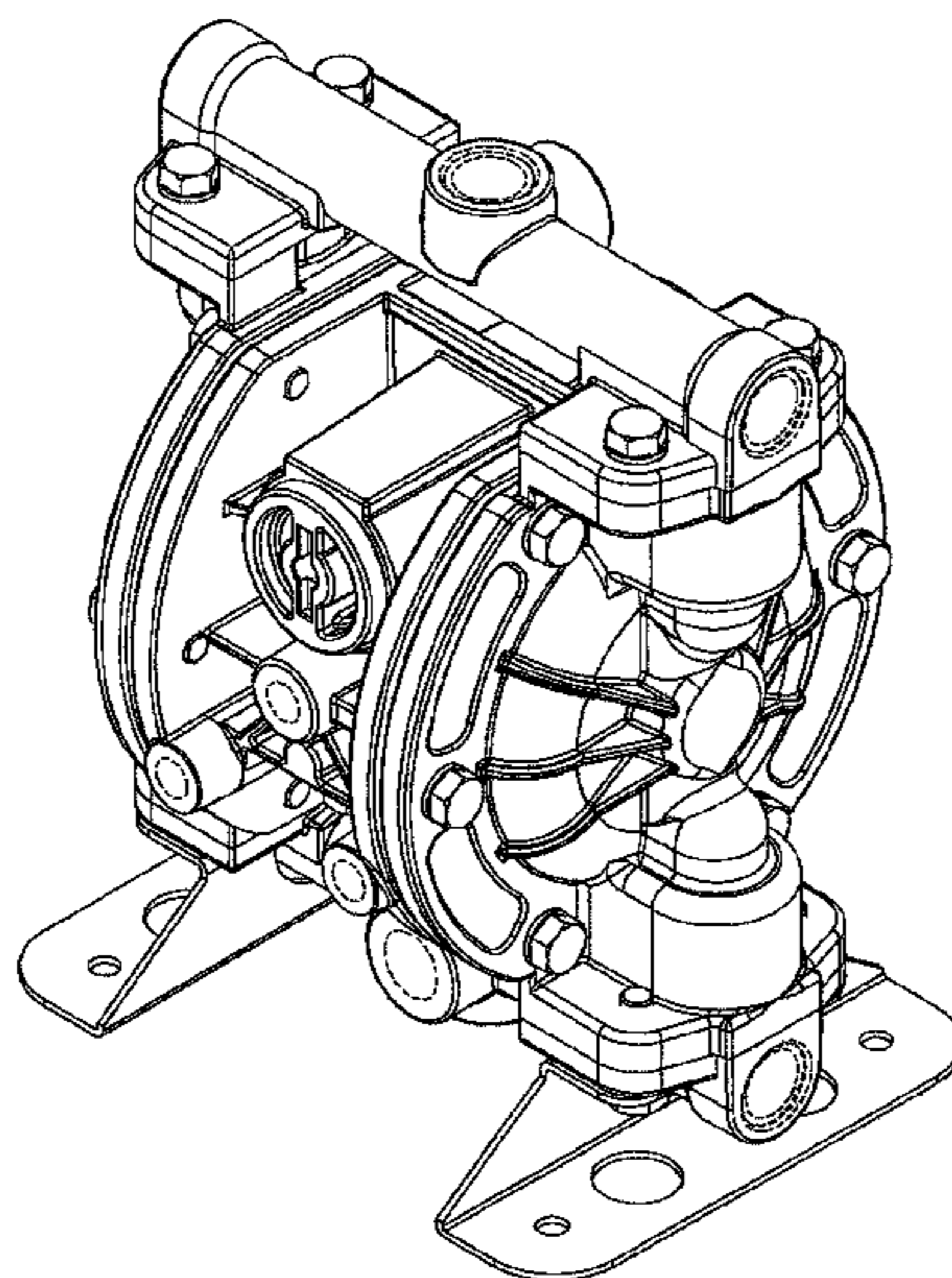
(57) **CLAIM**

The ornamental design for a diaphragm pump, as shown and described.

**DESCRIPTION**

FIG. 1 is a front view of a diaphragm pump showing our new design;  
FIG. 2 is a back view thereof;  
FIG. 3 is a right side view thereof;  
FIG. 4 is a left view thereof;  
FIG. 5 is a top view thereof;  
FIG. 6 is a bottom view thereof;  
FIG. 7 is a top perspective view; and,  
FIG. 8 is a bottom perspective view.  
The broken lines are included for the purpose of illustrating portions of the diaphragm pump that form no part of the claimed design.

**1 Claim, 8 Drawing Sheets**



(56)

**References Cited**

U.S. PATENT DOCUMENTS

D746,872 S \* 1/2016 Davis ..... D15/7  
D746,873 S \* 1/2016 Davis ..... D15/7  
D746,874 S \* 1/2016 Davis ..... D15/7  
D747,362 S \* 1/2016 Davis ..... D15/7

FOREIGN PATENT DOCUMENTS

JP D1494339 S 4/2014  
TW D144577 S1 12/2011

\* cited by examiner

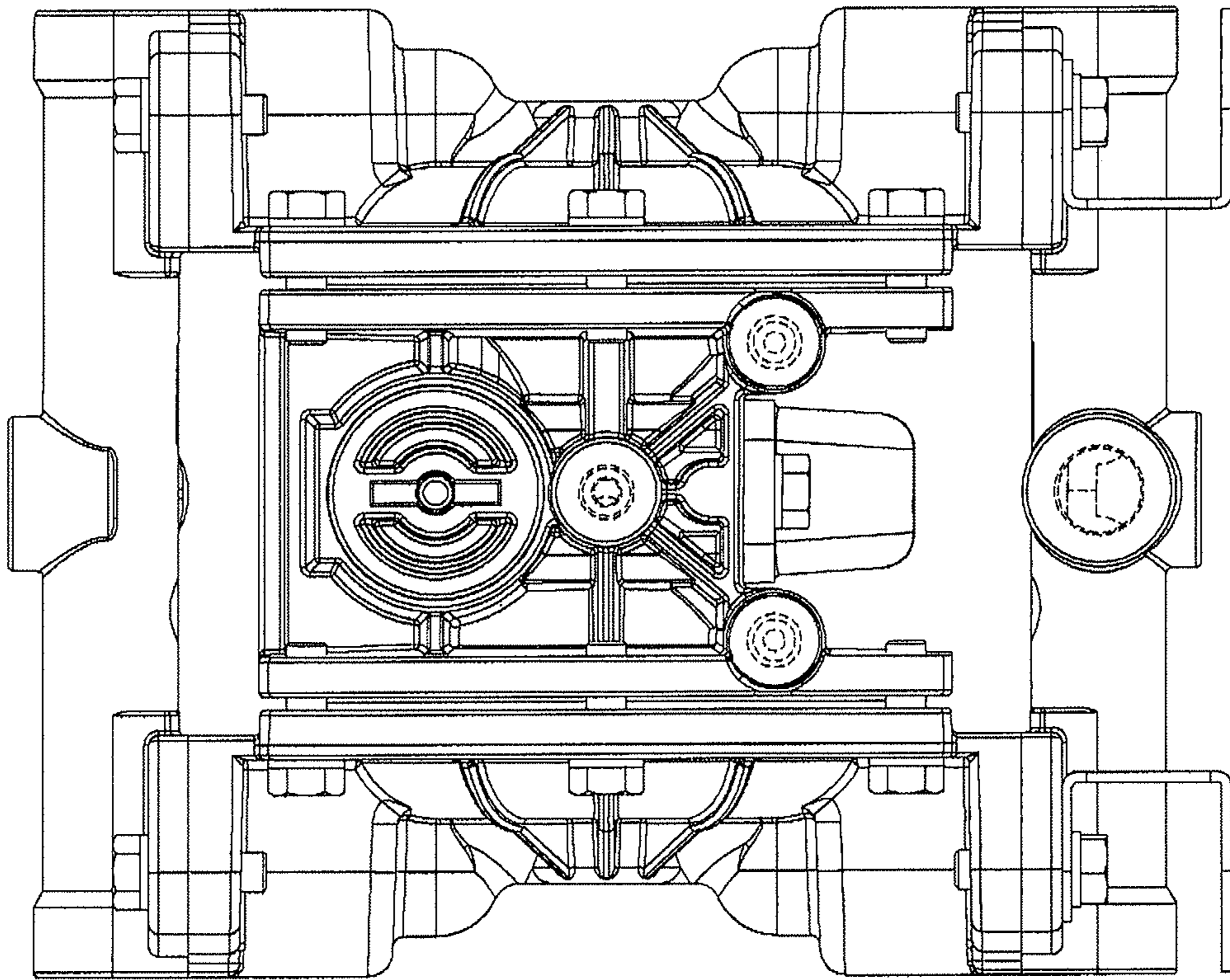


FIG. 1

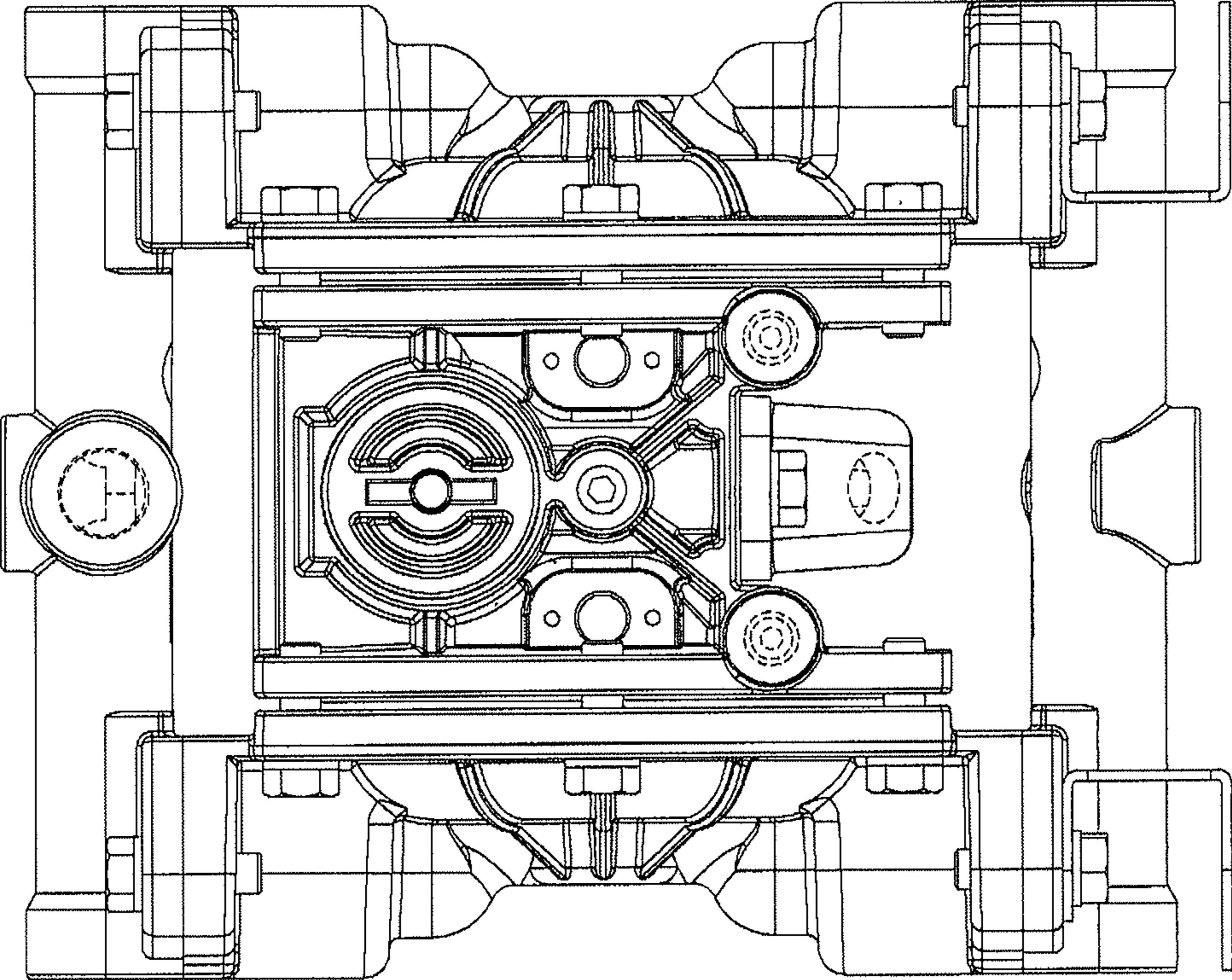


FIG. 2



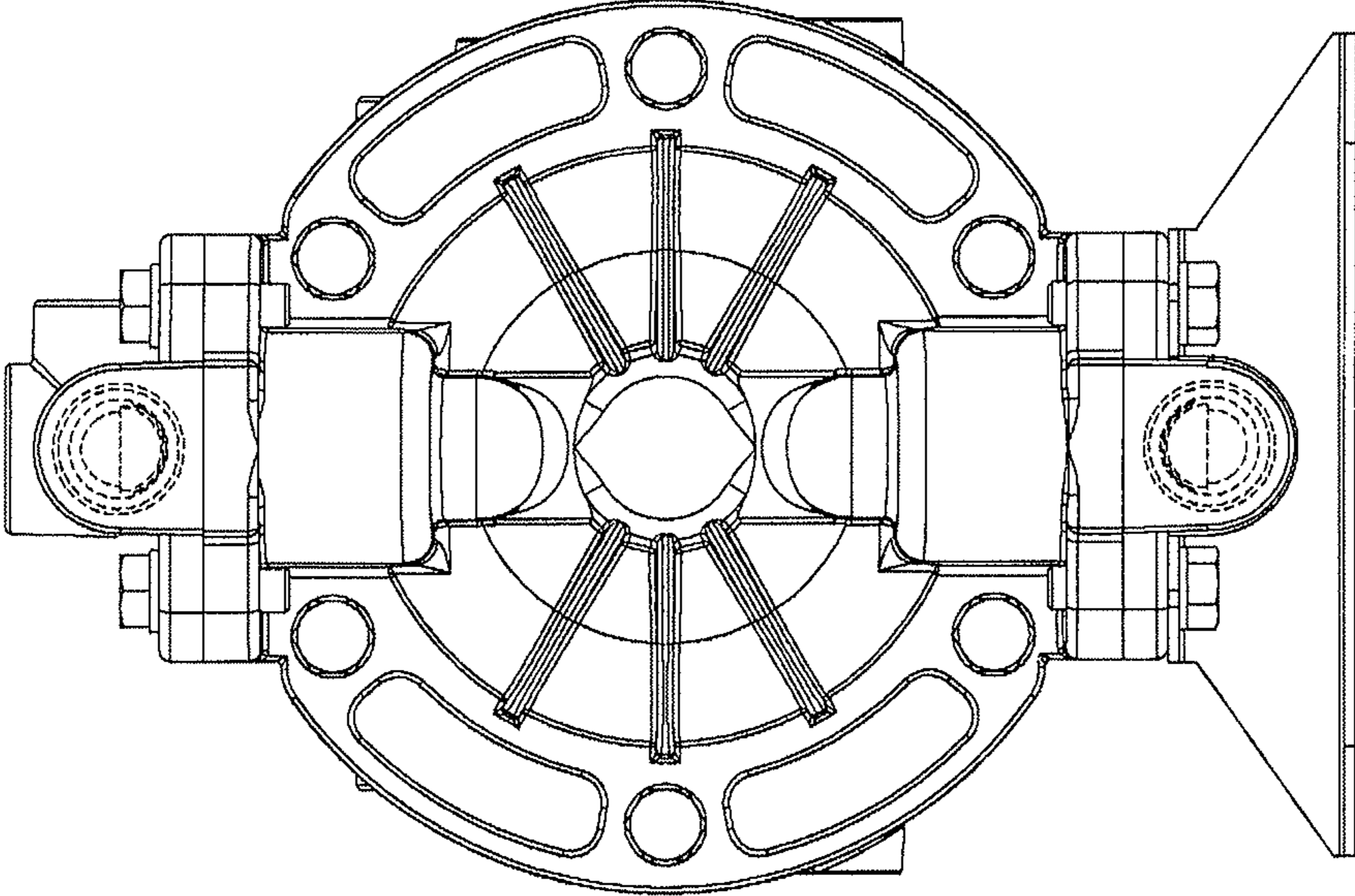


FIG. 3

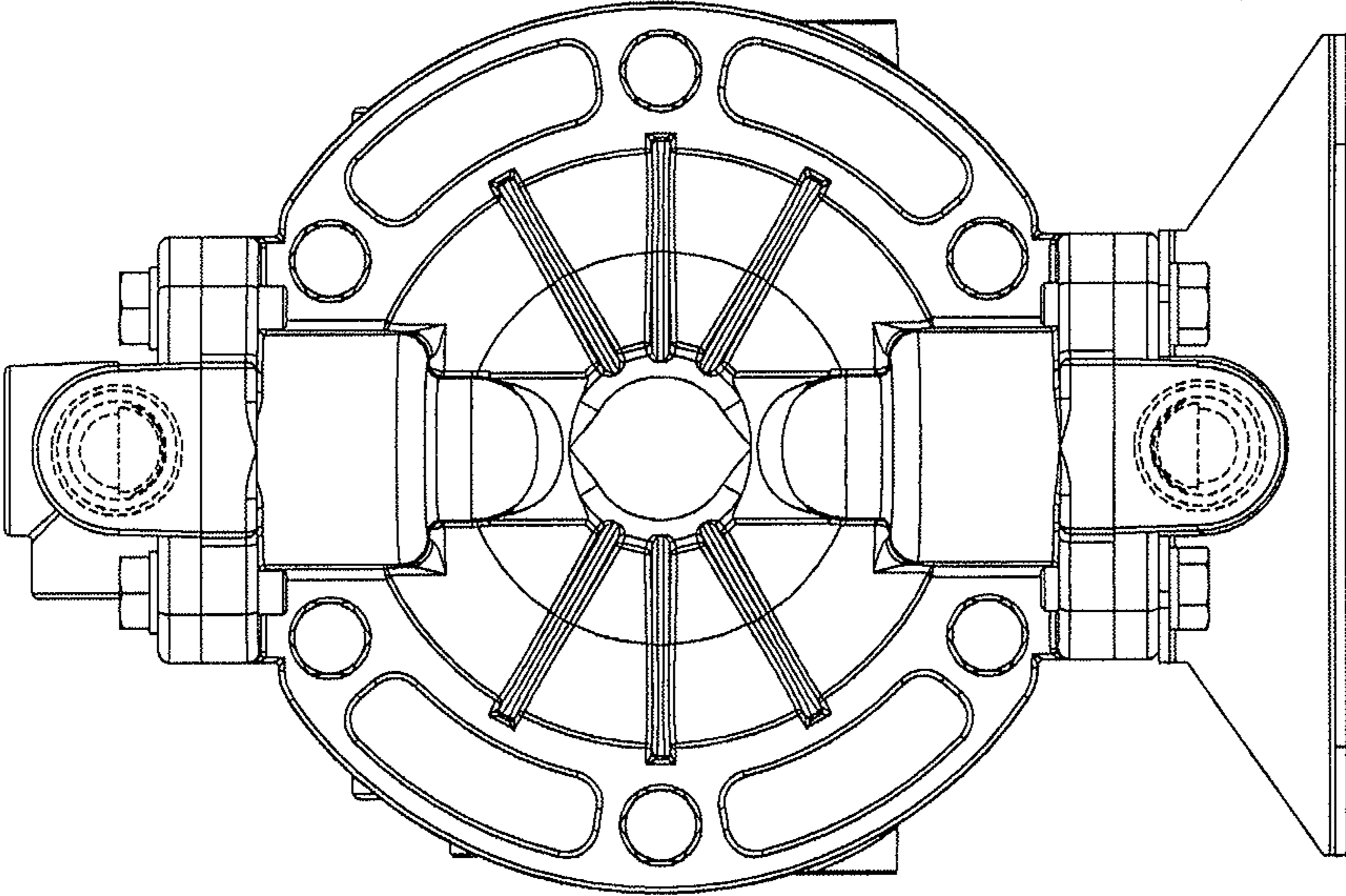
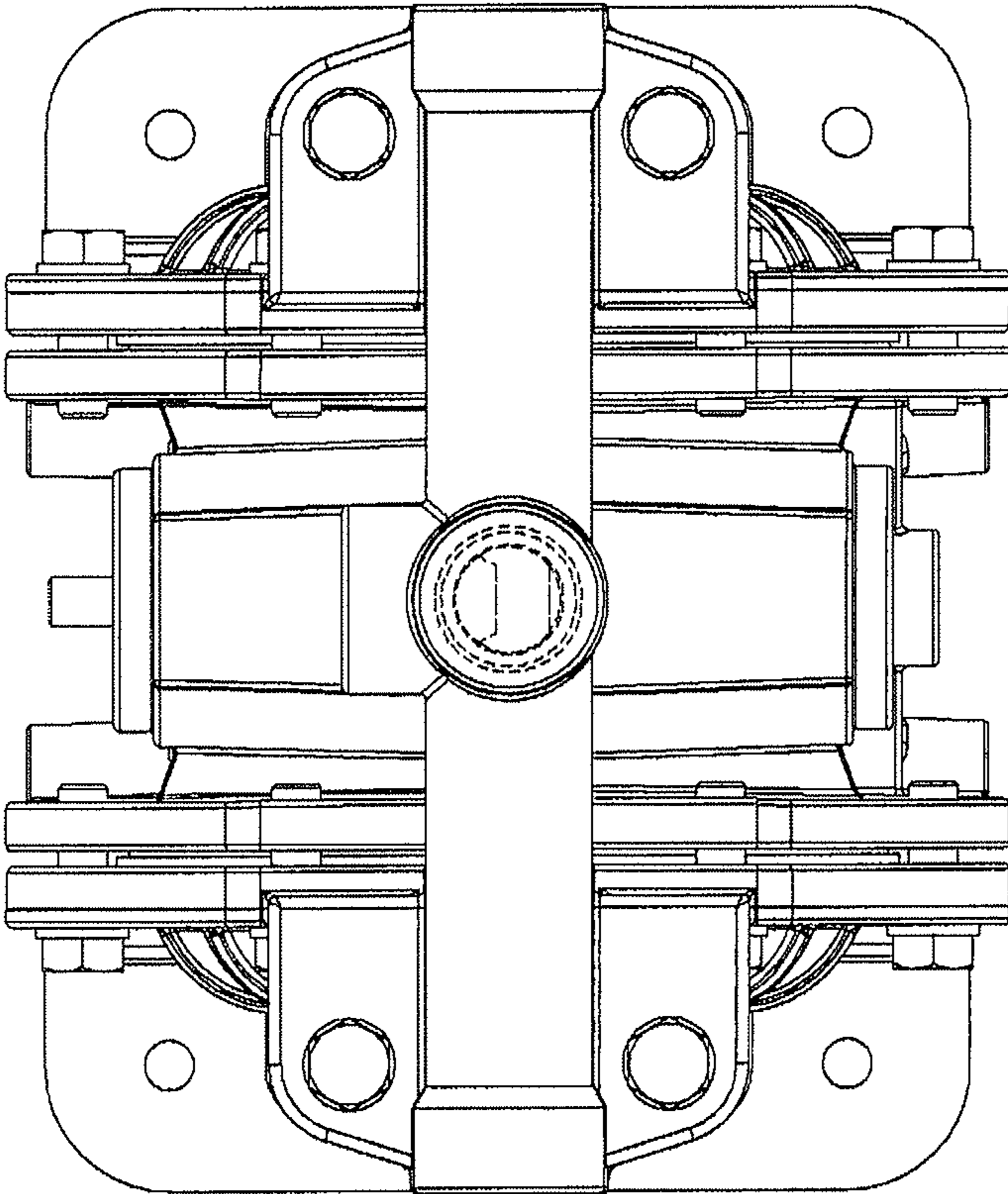


FIG. 4

FIG. 5



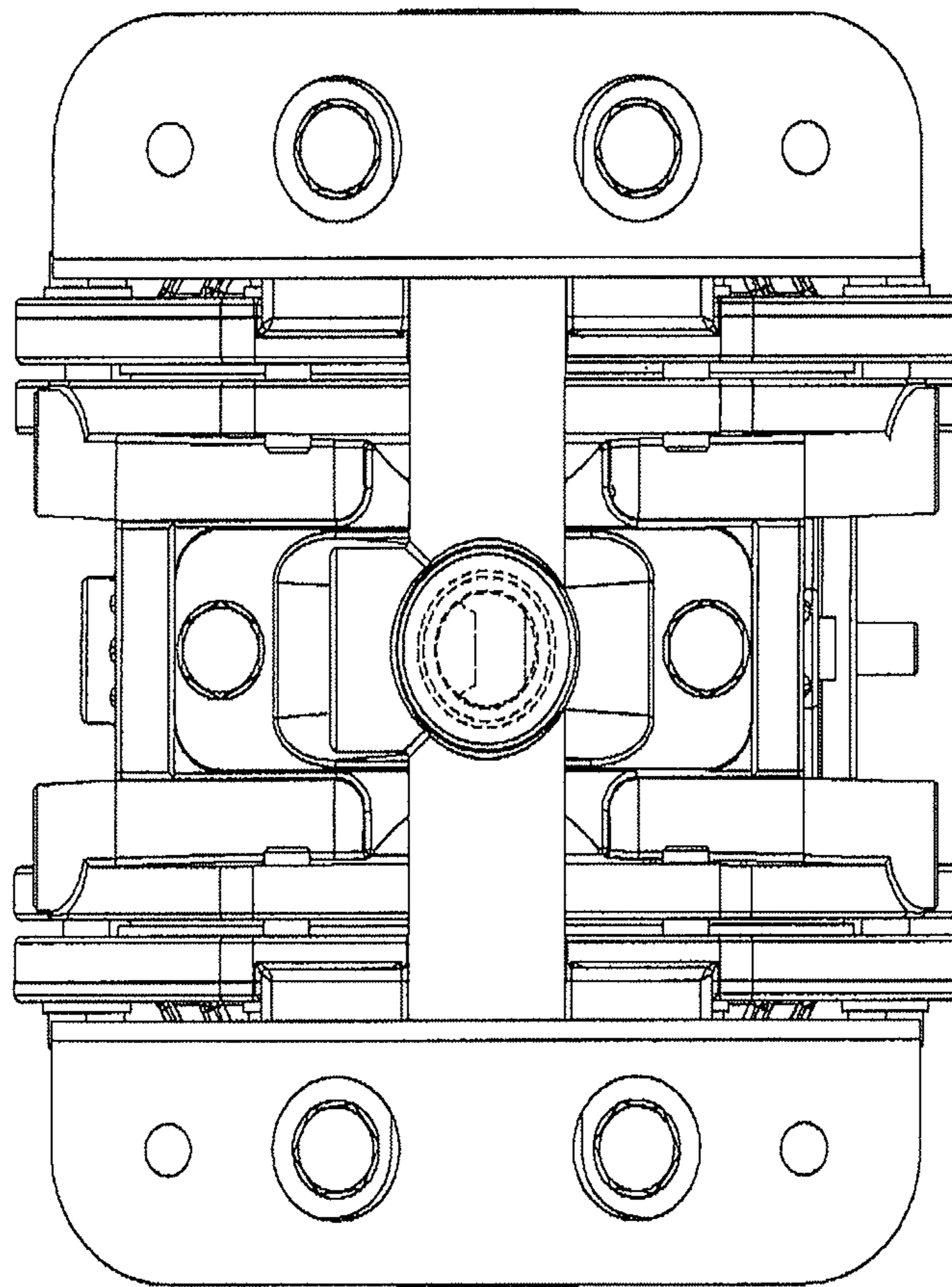


FIG. 6



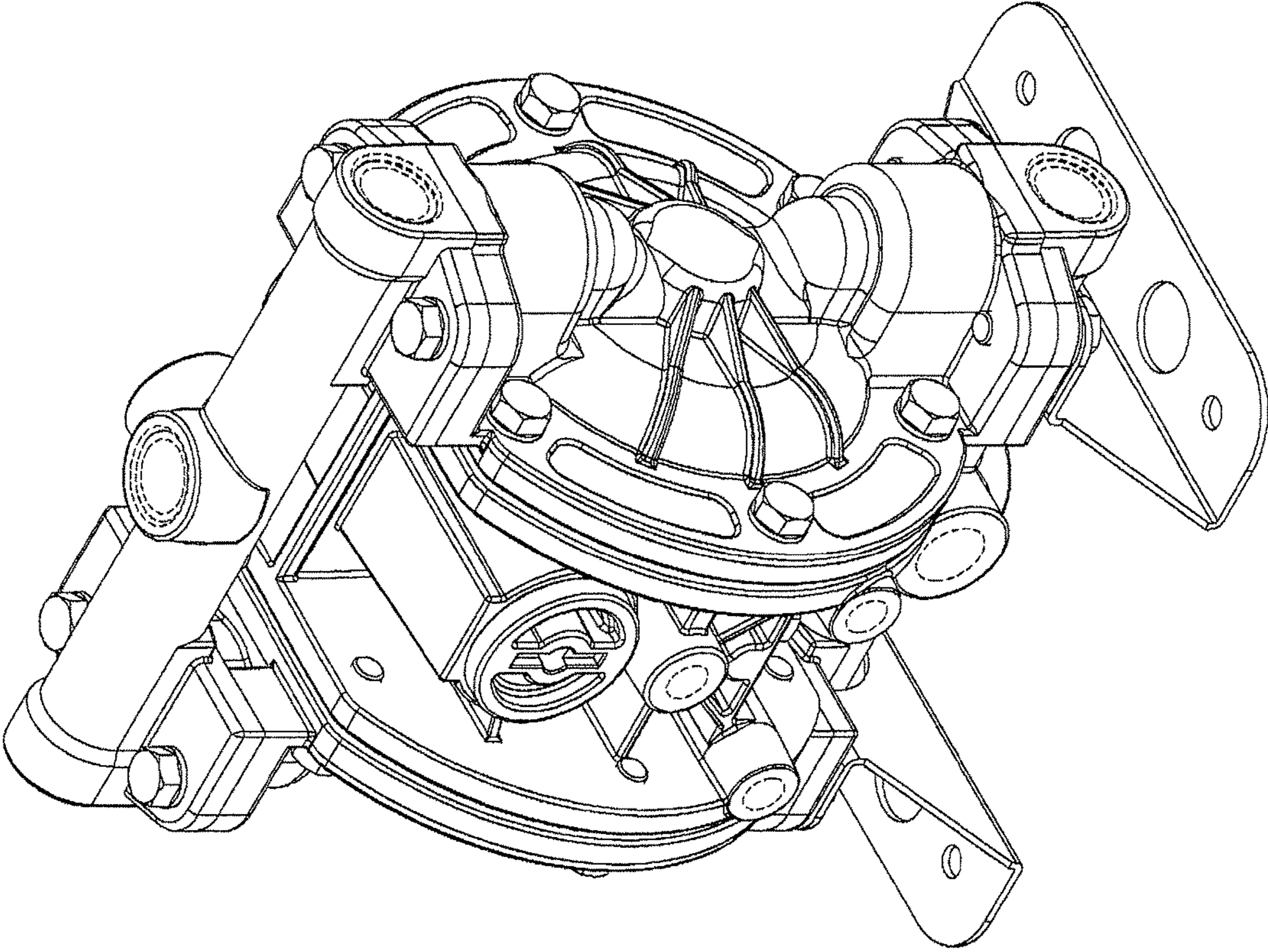


FIG. 7

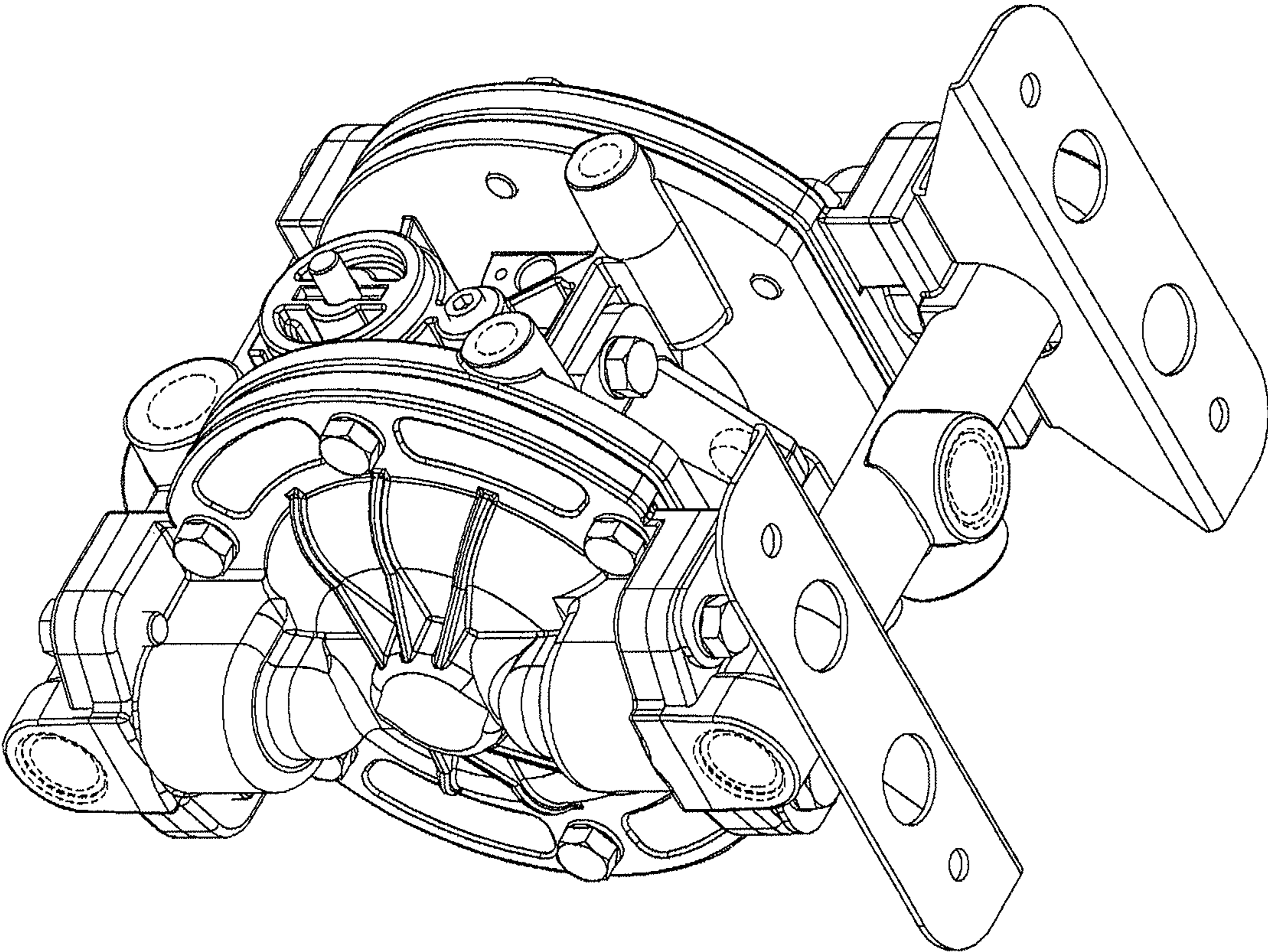


FIG. 8