



US00D781921S

(12) **United States Design Patent** (10) **Patent No.:** **US D781,921 S**
Adachi et al. (45) **Date of Patent:** **** Mar. 21, 2017**

(54) **RECIPROCATING PUMP**

(71) Applicant: **Tacmina Corporation**, Osaka-shi,
Osaka (JP)

(72) Inventors: **Katsumi Adachi**, Asago (JP);
Shunsuke Nakanishi, Asago (JP)

(73) Assignee: **Tacmina Corporation**, Osaka-shi (JP)

(**) Term: **15 Years**

(21) Appl. No.: **29/539,631**

(22) Filed: **Sep. 16, 2015**

(30) **Foreign Application Priority Data**

Mar. 24, 2015 (JP) 2015-006353

(51) **LOC (10) Cl.** **15-02**

(52) **U.S. Cl.**

USPC **D15/7**

(58) **Field of Classification Search**

USPC D15/7-9; D23/231, 232, 225; 417/60,
417/235, 265, 321, 355, 358, 363, 359,
417/410.1, 415-416, 405, 900, 269, 539;
60/408, 412; 184/26-37; 415/140-147;
123/495, 509; 137/565.34

CPC F02M 37/04; F02M 37/14; F04B 53/92;
F04B 1/005

See application file for complete search history.

D488,485 S * 4/2004 Leasure D15/9
D498,242 S * 11/2004 Song D15/7
D518,490 S 4/2006 Pirzada
D574,017 S * 7/2008 Hernandez, Jr. D15/9
D635,588 S * 4/2011 Sprules D15/7
D662,950 S * 7/2012 Lu D15/9

OTHER PUBLICATIONS

Industrial Equipment News, No. 11, vol. 34, p. 34, Nov. 1, 2006.
M & E, No. 12, vol. 33, p. 79, Nov. 1, 2006.
2003 Catalogue Laboratory Analysis, p. 75, PA-M1, Jul. 9, 2004.
Portable Bio-Suction System, p. 3, Bio Vac 225, Dec. 28, 2004.
Internet webpage of Yamato Scientific Co., Ltd., 07528-10/20/30,
Oct. 31, 2011.

* cited by examiner

Primary Examiner — Ralf Seifert
(74) *Attorney, Agent, or Firm* — The Webb Law Firm

(57) **CLAIM**

The ornamental design for a reciprocating pump, as shown and described.

DESCRIPTION

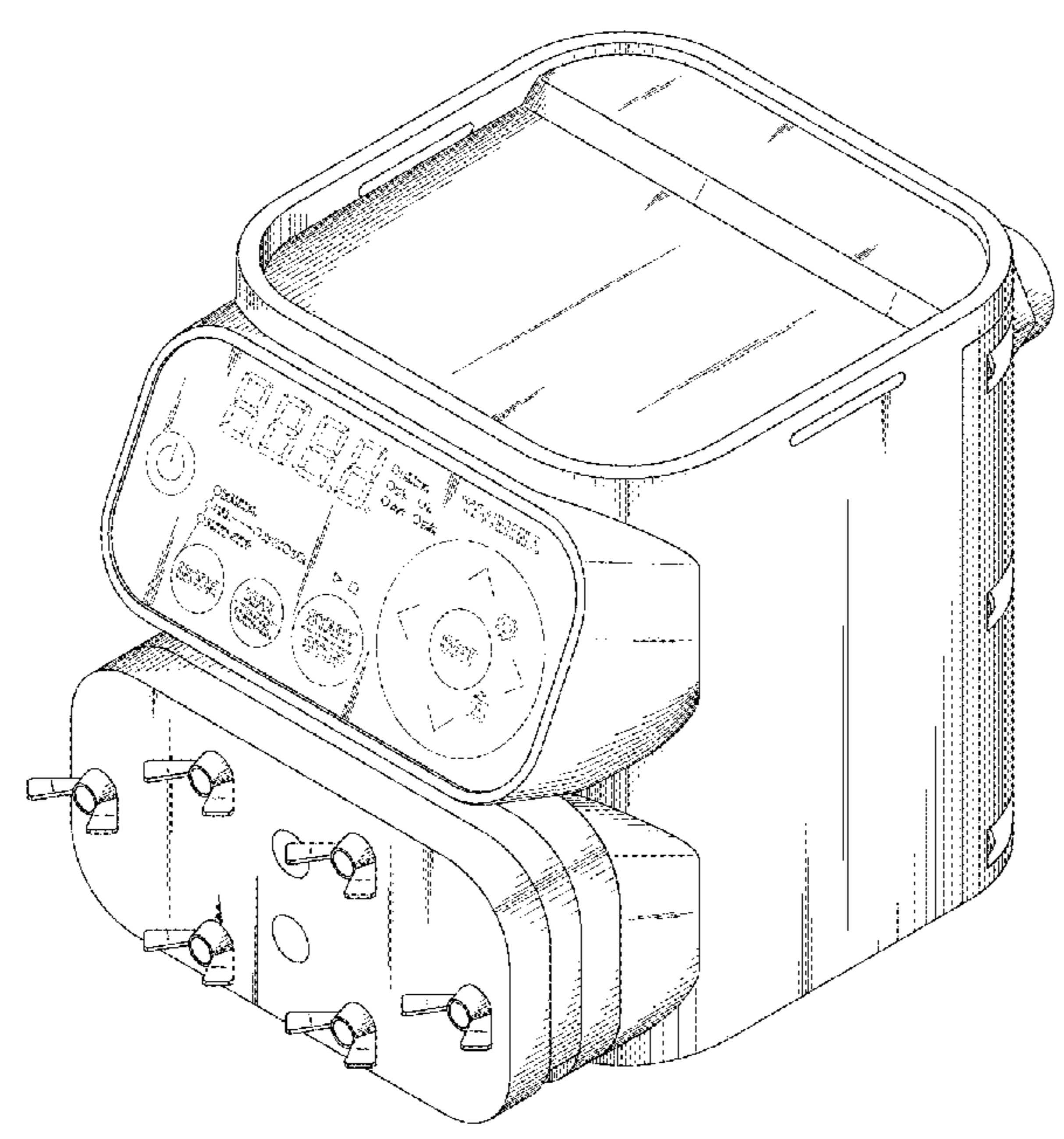
FIG. 1 is a perspective view of a reciprocating pump showing our new design;
FIG. 2 is a front view thereof;
FIG. 3 is a rear view thereof;
FIG. 4 is a top view thereof;
FIG. 5 is a bottom view thereof;
FIG. 6 is a right side view thereof;
FIG. 7 is a left side view thereof; and,
FIG. 8 is a perspective view thereof in a configuration of use.
The broken lines are included for the purpose of illustrating portions of the reciprocating pump that form no part of the claimed design.

1 Claim, 8 Drawing Sheets

(56) **References Cited**

U.S. PATENT DOCUMENTS

D284,695 S * 7/1986 McCombs D24/164
D289,523 S * 4/1987 Fussell D15/9
D480,402 S * 10/2003 Wilson D15/7



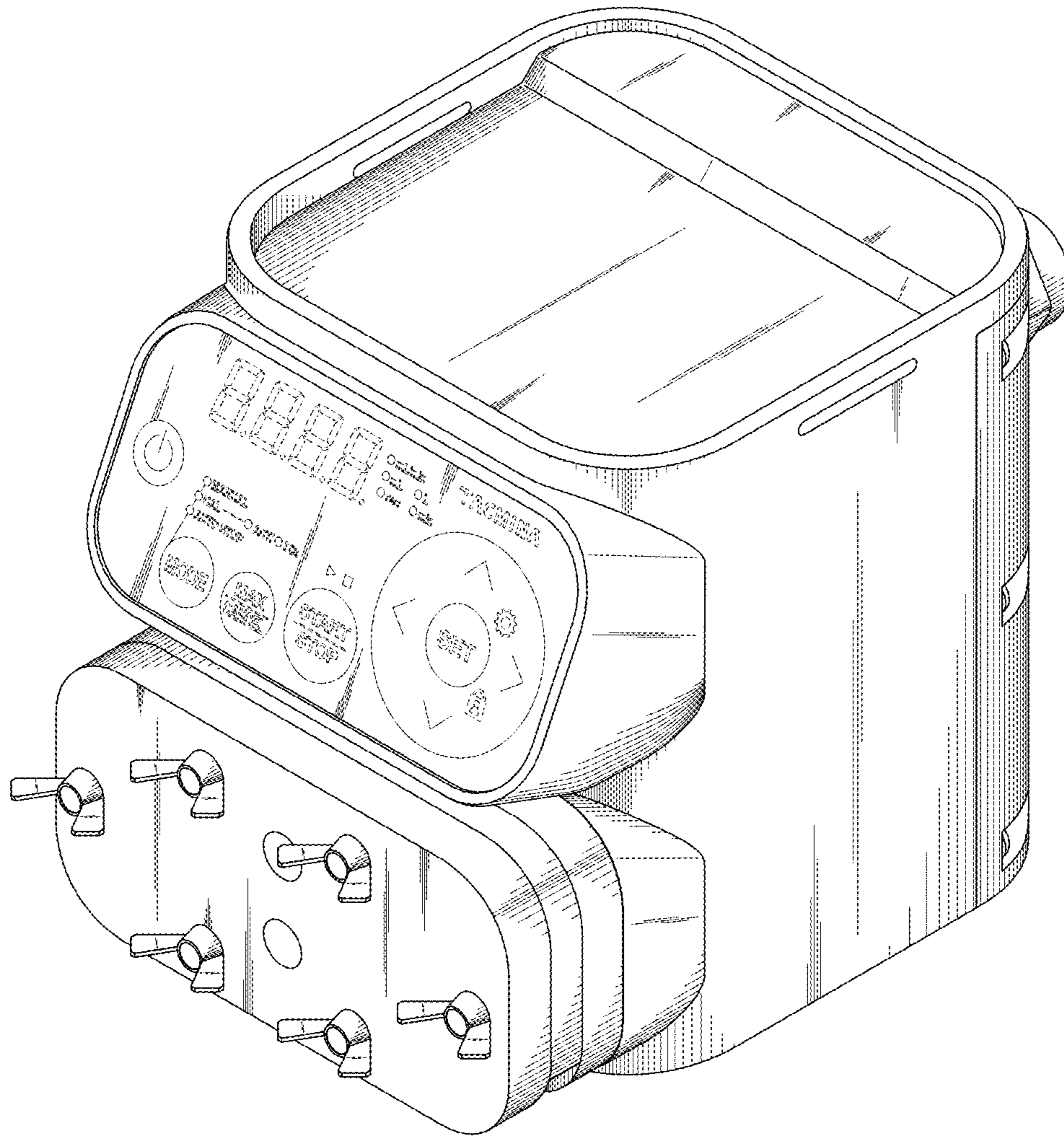


FIG. 1

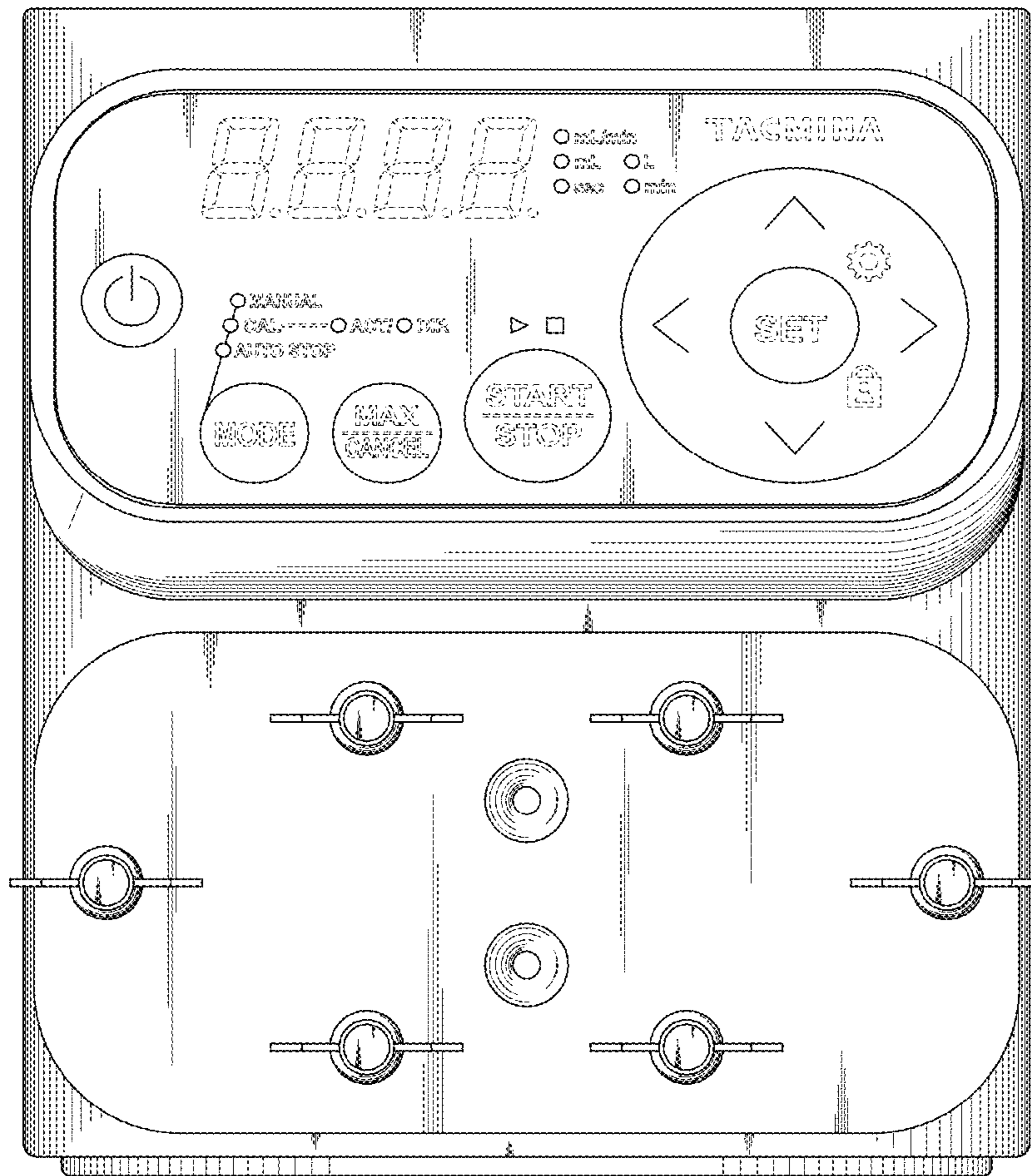


FIG. 2

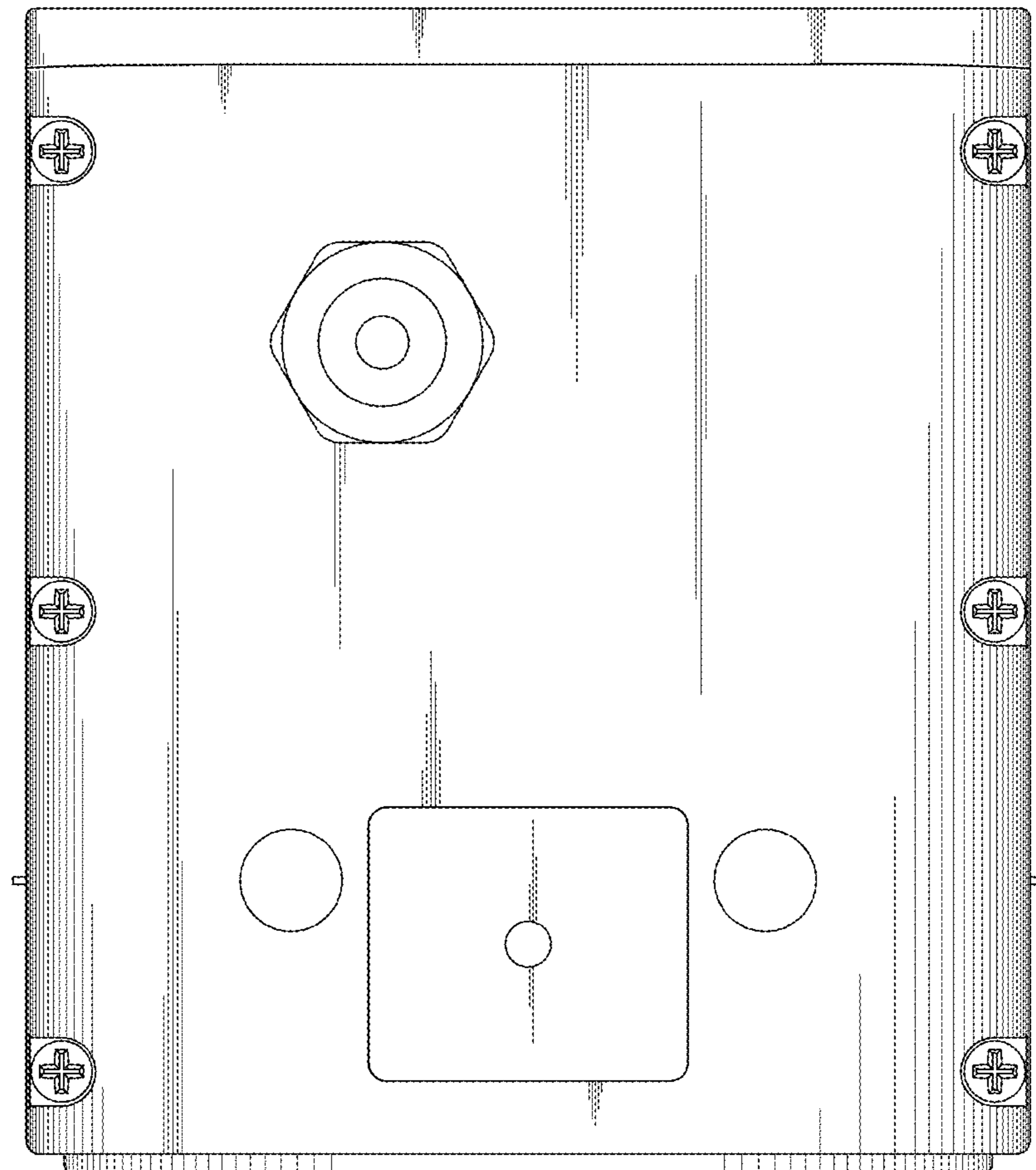


FIG. 3

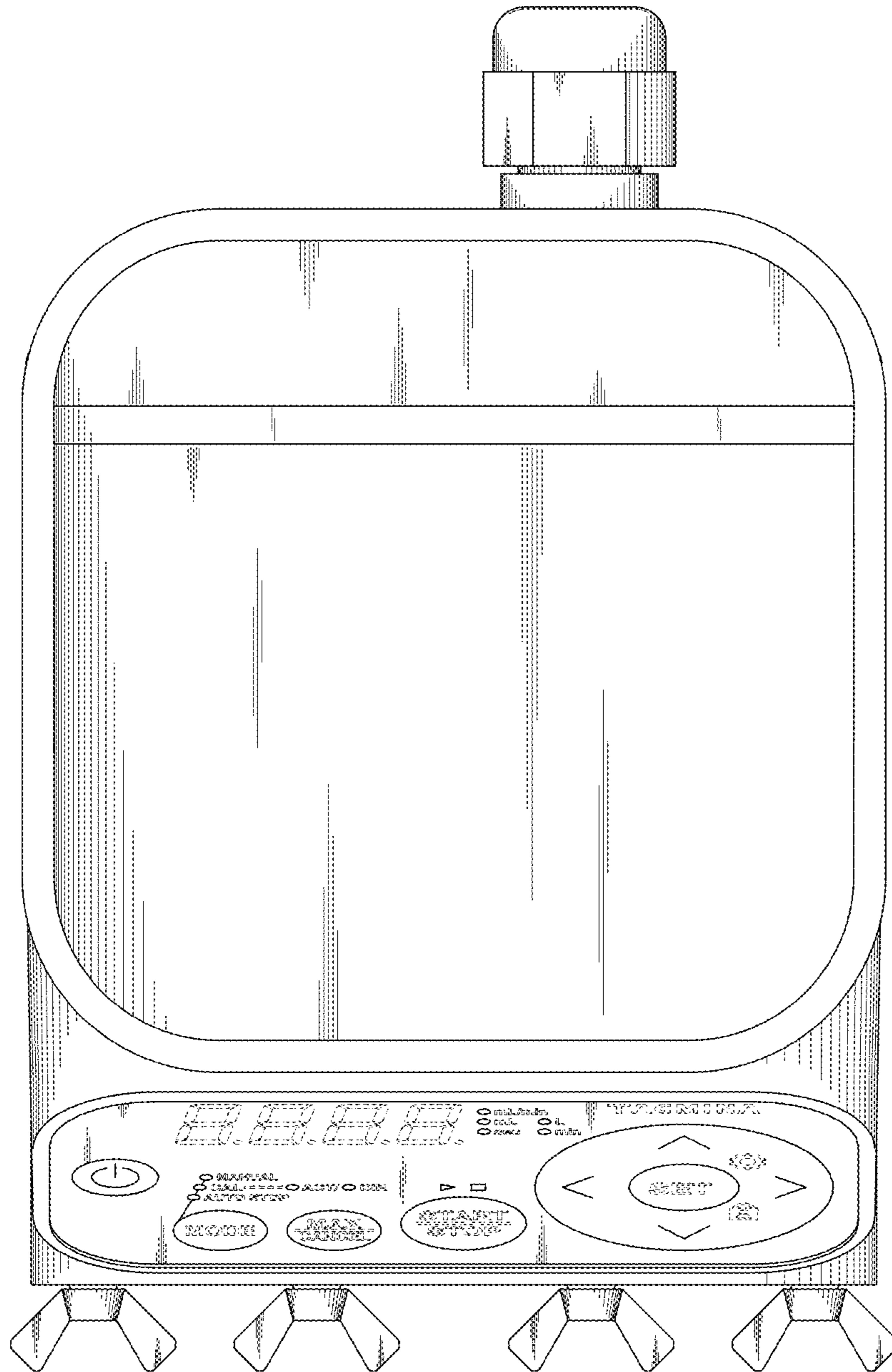


FIG. 4

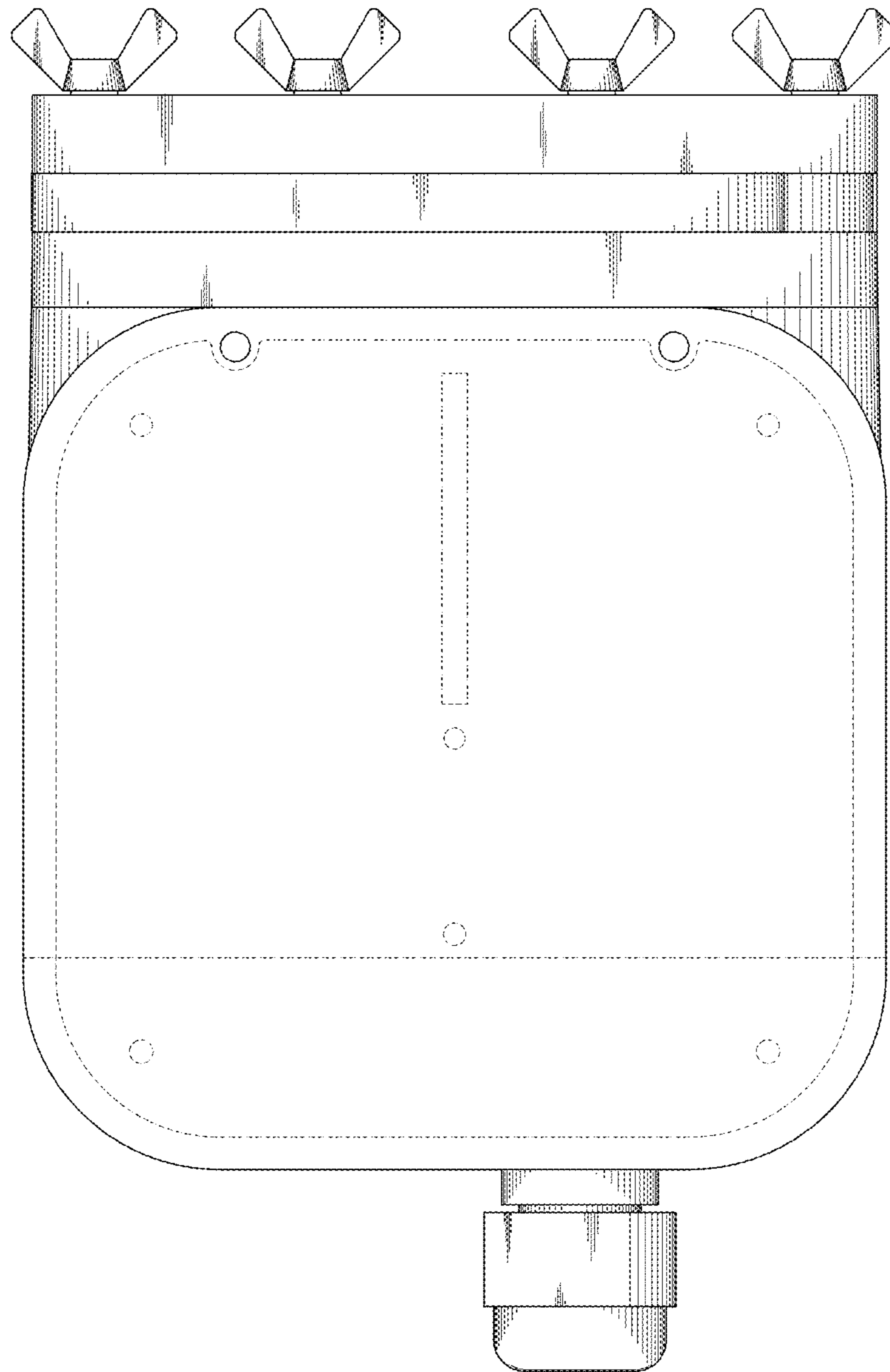


FIG. 5

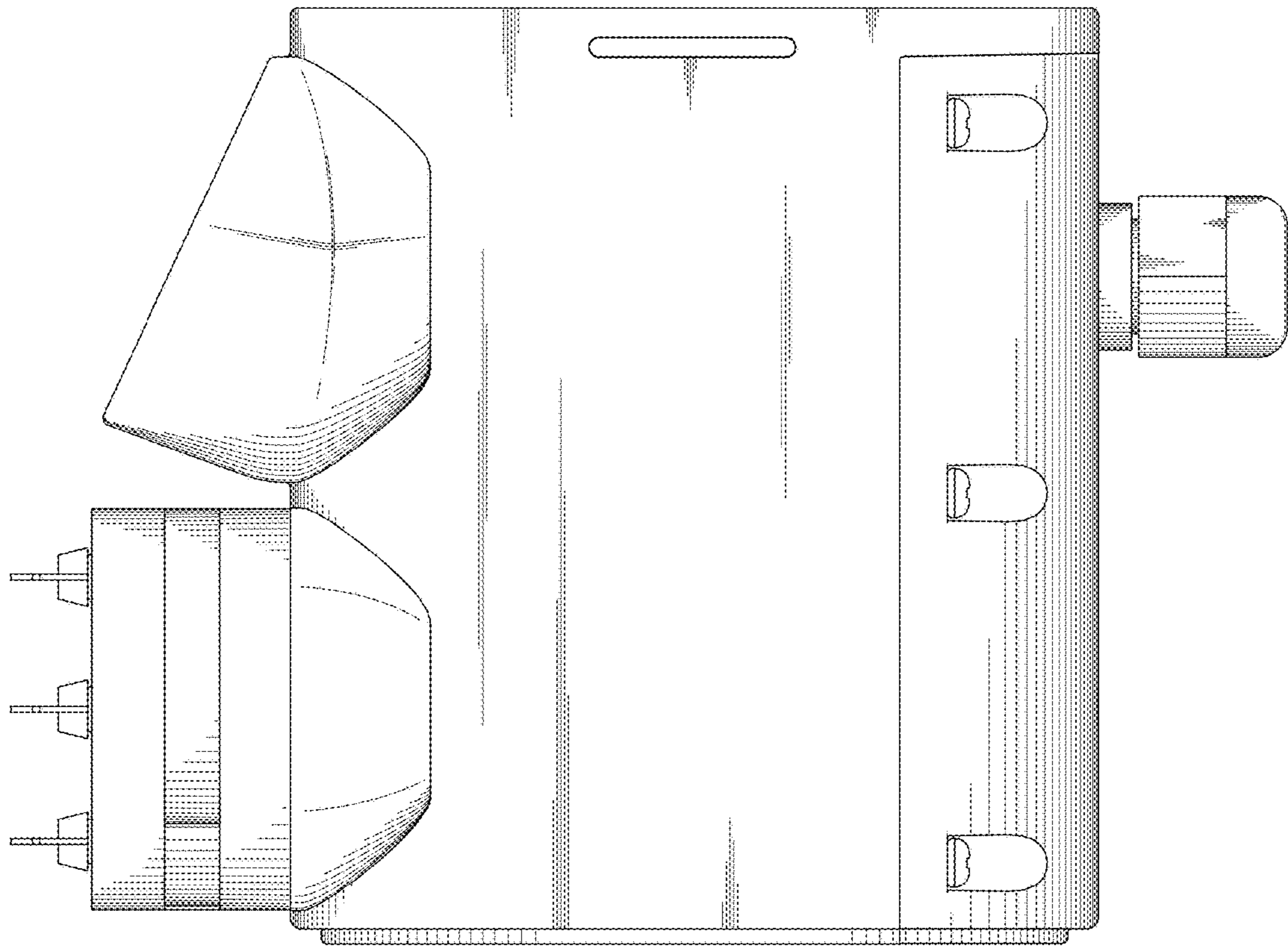


FIG. 6

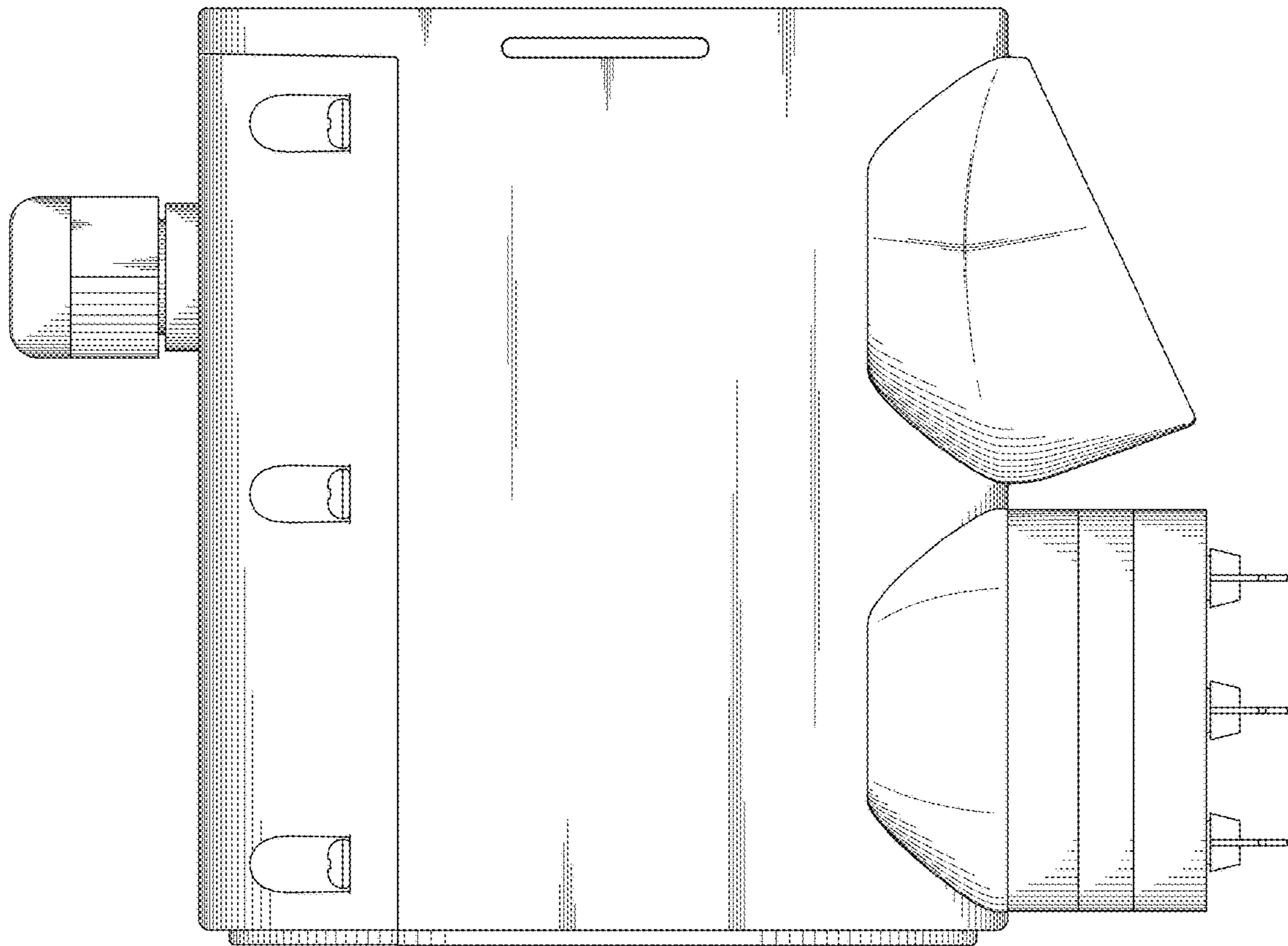


FIG. 7

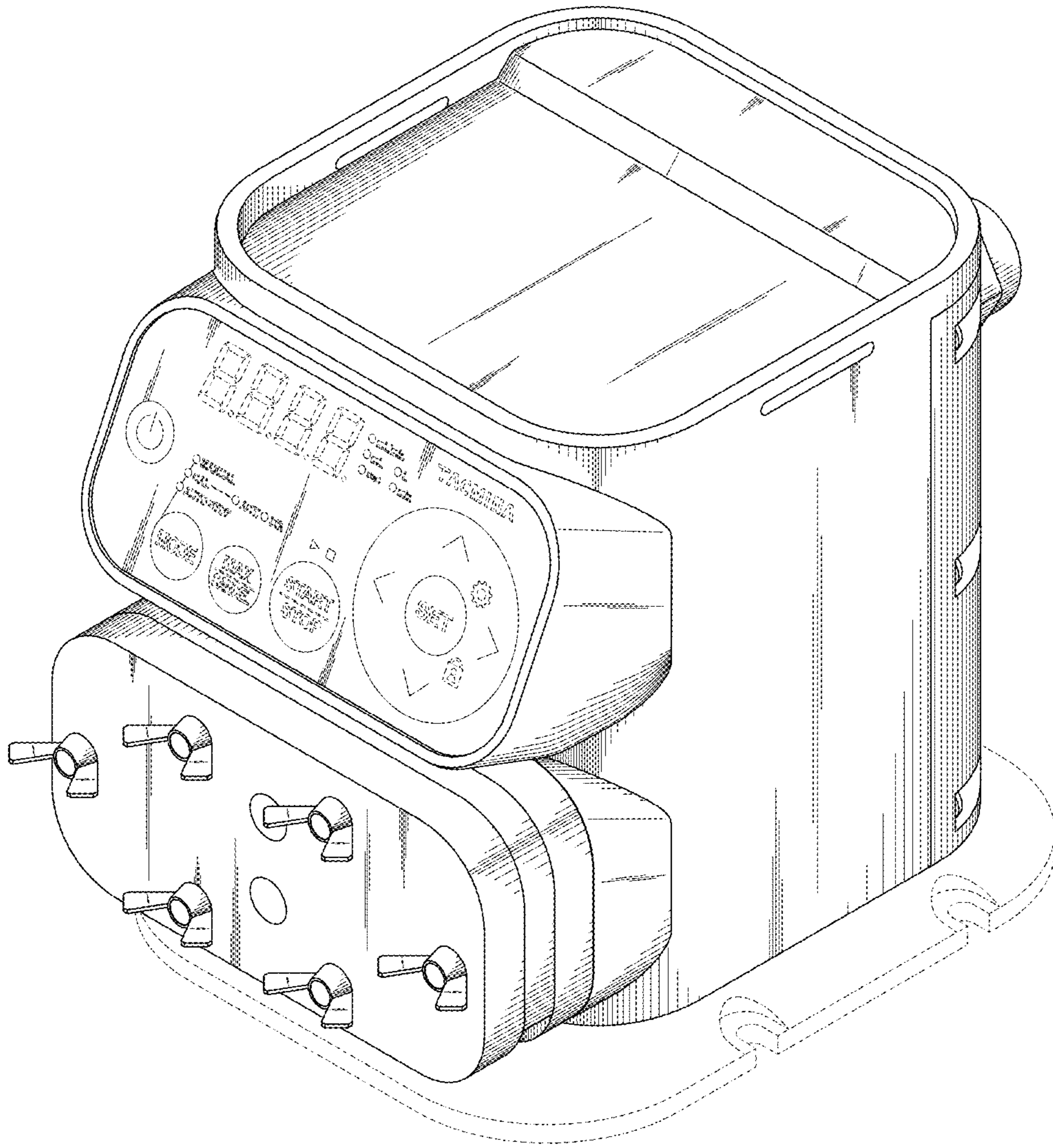


FIG. 8

UNITED STATES PATENT AND TRADEMARK OFFICE
CERTIFICATE OF CORRECTION

PATENT NO. : D781,921 S
APPLICATION NO. : 29/539631
DATED : March 21, 2017
INVENTOR(S) : Katsumi Adachi et al.

Page 1 of 1

It is certified that error appears in the above-identified patent and that said Letters Patent is hereby corrected as shown below:

On the Title Page

Column 1, Item (72), Inventors, Line 1, delete "Asago (JP)" and insert -- Asago-shi, Hyogo, JAPAN --

Column 1, Item (72), Inventors, Line 2, delete "Asago (JP)" and insert -- Asago-shi, Hyogo, JAPAN --

Signed and Sealed this
Twenty-third Day of May, 2017



Michelle K. Lee
Director of the United States Patent and Trademark Office