



US00D781920S

(12) **United States Design Patent**  
**Hsu**

(10) **Patent No.:** **US D781,920 S**  
(45) **Date of Patent:** **\*\* Mar. 21, 2017**

(54) **ENGINE**

(71) Applicant: **Kevin Hsu, Puzi (TW)**

(72) Inventor: **Kevin Hsu, Puzi (TW)**

(73) Assignees: **Zhejiang Yongkang Top IMP,**  
**Yongkang, Zhejiang (CN); EXP CO.,**  
**Ltd., Yongkang, Zhejiang (CN)**

(\*\*) Term: **15 Years**

(21) Appl. No.: **29/560,109**

(22) Filed: **Apr. 4, 2016**

(51) **LOC (10) Cl.** ..... **15-01**

(52) **U.S. Cl.**

USPC ..... **D15/3**

(58) **Field of Classification Search**

USPC ..... D15/1-5, 11, 12, 17, 14, 149;  
D32/15-19, 21, 25; D23/213, 383  
CPC ..... F01P 5/02; F01P 1/02; F01P 1/06; F01P  
2001/023; F02B 75/007; F02B 63/02;  
F02B 75/02; F02B 2075/022; F02B  
75/16; F02B 2075/025; F02B 75/18;  
F02B 2075/027; F02B 61/02; F02B  
61/06; B62M 9/10; B62K 2202/00

See application file for complete search history.

(56) **References Cited**

**U.S. PATENT DOCUMENTS**

4,671,782 A \* 6/1987 Ochiai ..... B62M 7/06  
474/93  
D294,264 S \* 2/1988 Davidson ..... D15/3

5,263,463 A \* 11/1993 Perry ..... F02B 33/38  
123/559.1  
2007/0017466 A1 \* 1/2007 Leppanen ..... F02N 15/022  
123/179.25  
2012/0000720 A1 \* 1/2012 Honda ..... B62K 11/10  
180/65.1  
2013/0228389 A1 \* 9/2013 Nakashima ..... B62K 11/10  
180/220  
2014/0345551 A1 \* 11/2014 Miyoshi ..... F01M 11/02  
123/90.31  
2016/0090907 A1 \* 3/2016 Sotani ..... F01M 13/04  
123/195 C

\* cited by examiner

*Primary Examiner* — T. Chase Nelson  
*Assistant Examiner* — Ania Aman

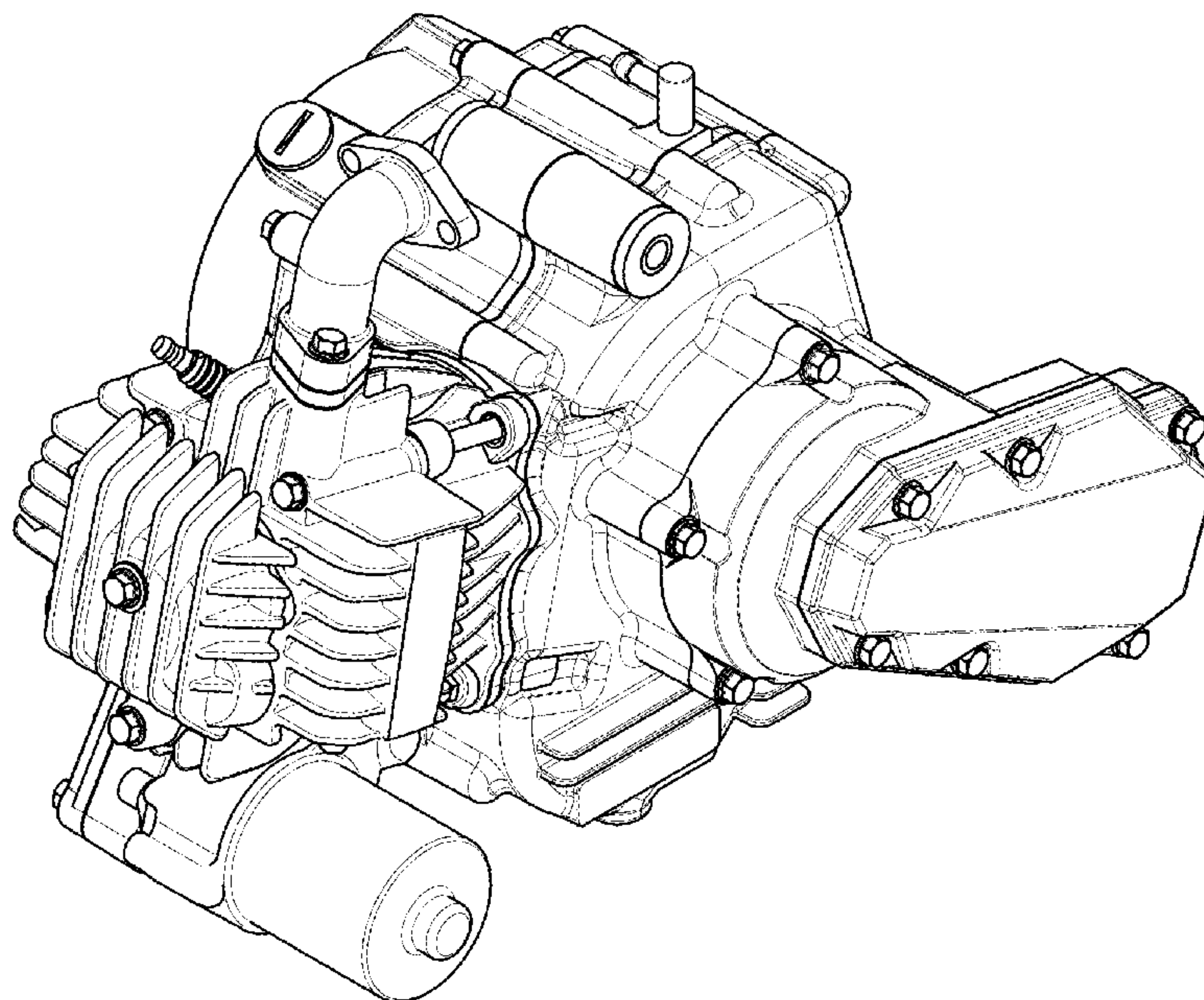
(57) **CLAIM**

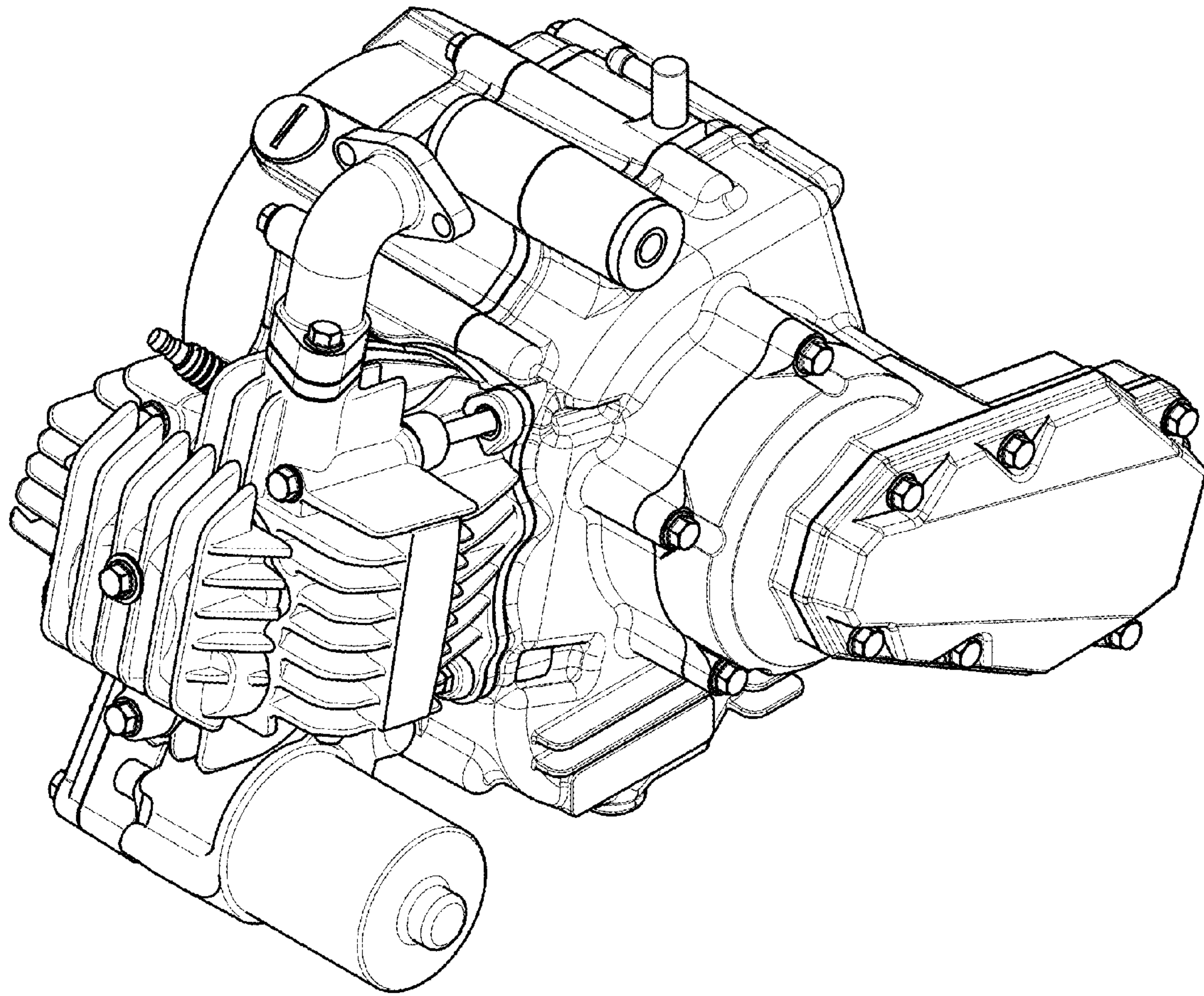
The ornamental design for an engine, as shown and described.

**DESCRIPTION**

FIG. 1 is a perspective view of the engine showing my new design;  
FIG. 2 is a front elevation view thereof;  
FIG. 3 is a rear elevation view thereof;  
FIG. 4 is a left side elevation view thereof;  
FIG. 5 is a right side elevation view thereof;  
FIG. 6 is a top plan view thereof; and,  
FIG. 7 is a bottom plan view thereof.

**1 Claim, 7 Drawing Sheets**





F I G . 1



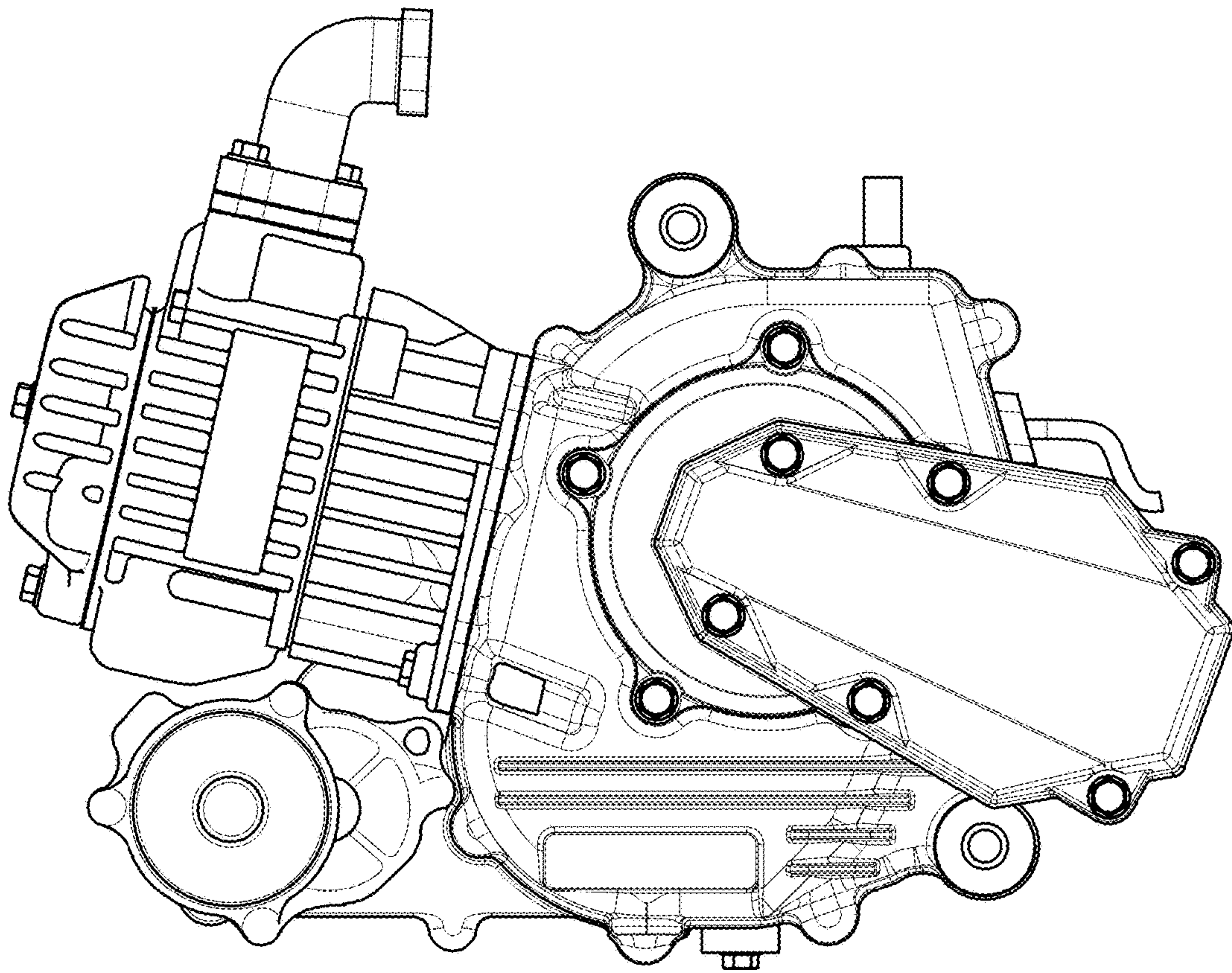
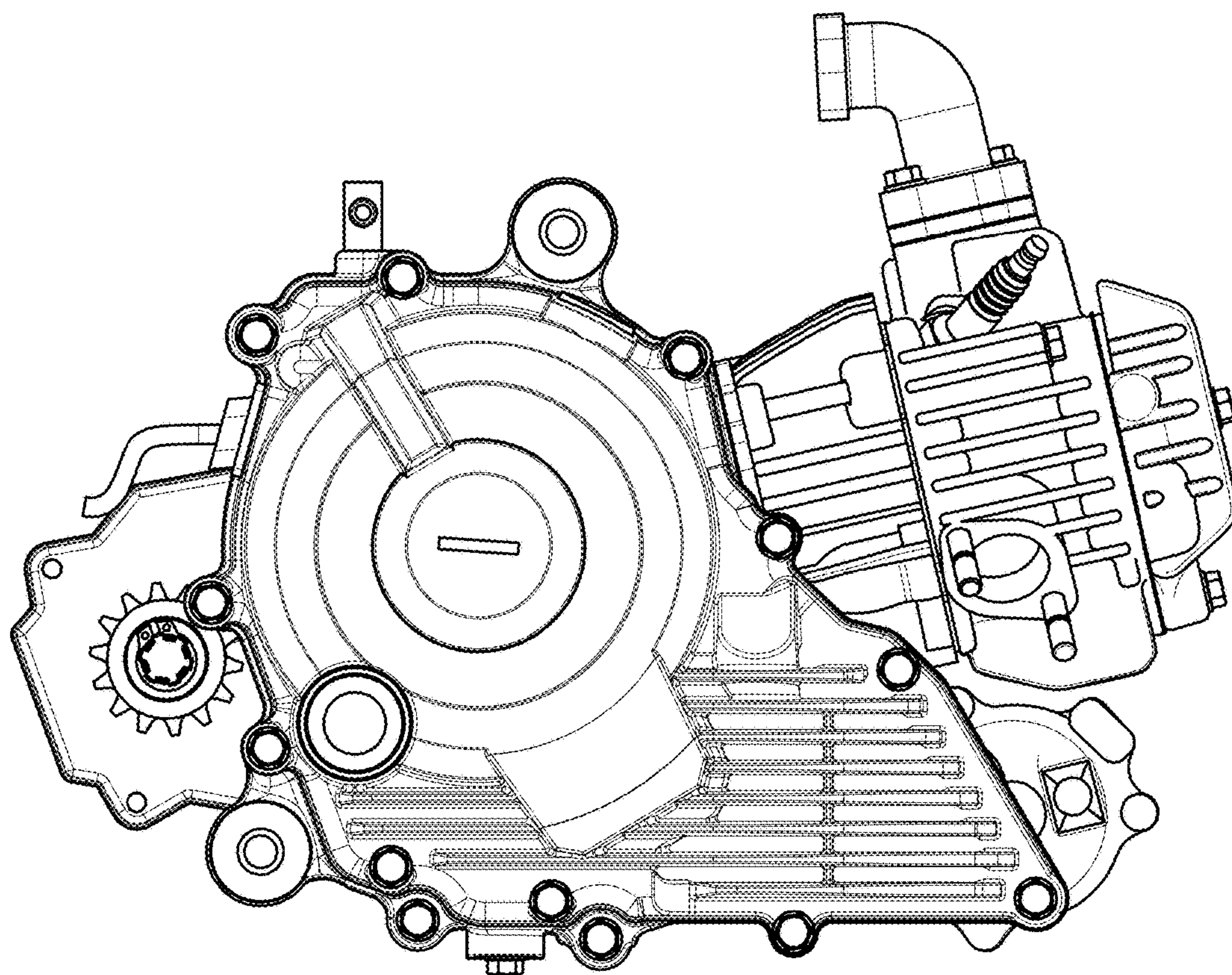
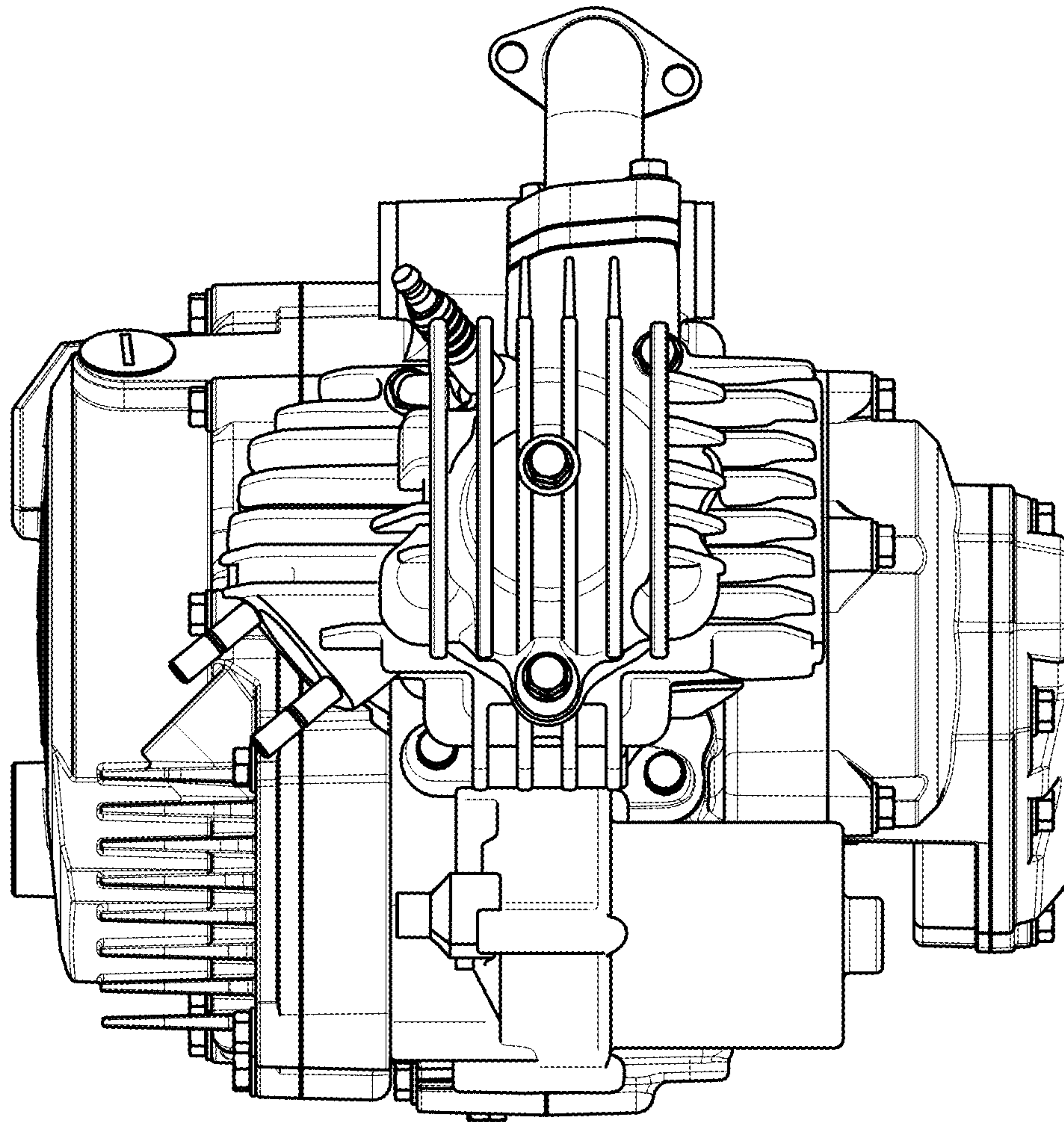


FIG. 2



F I G . 3



F I G . 4



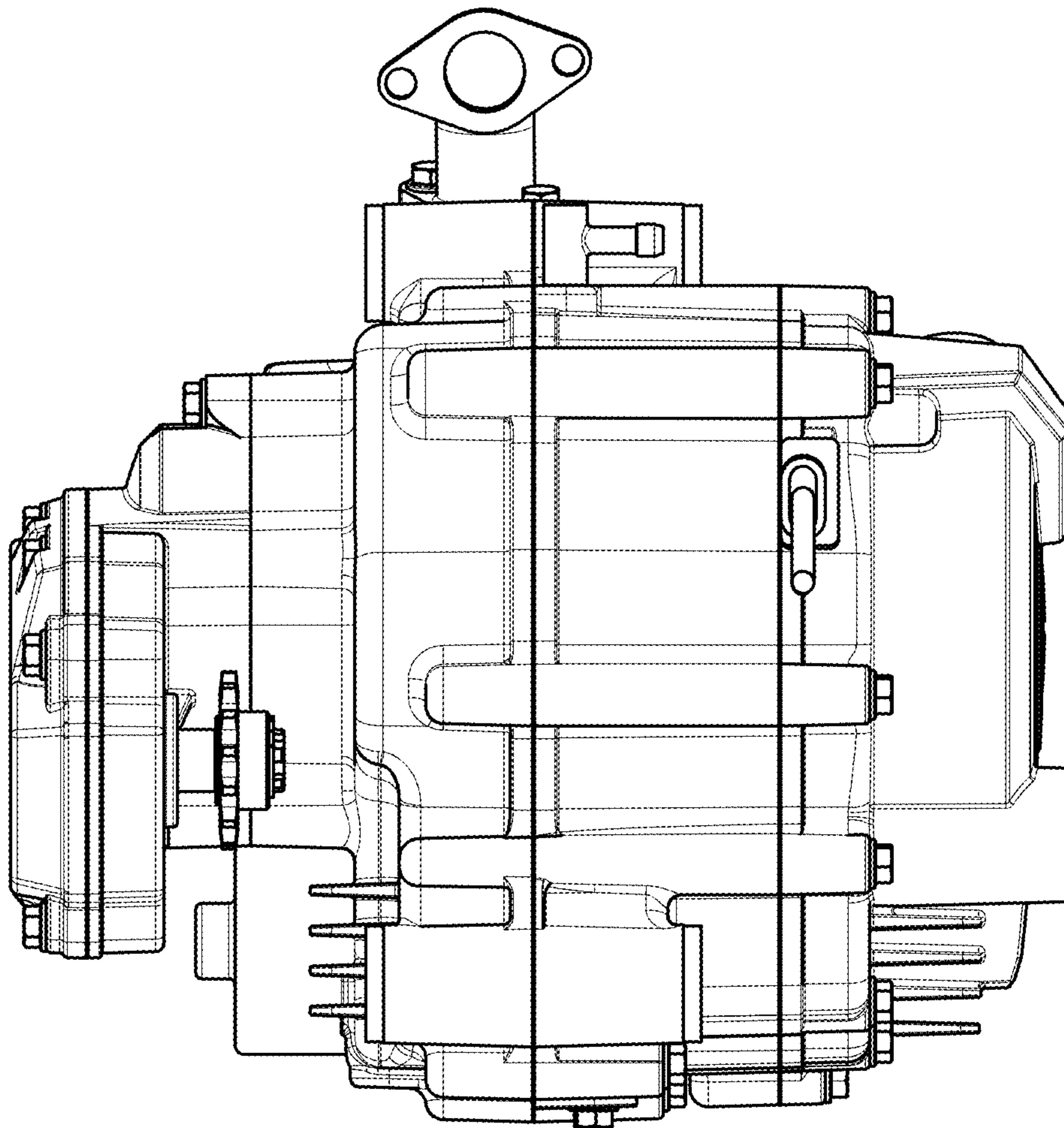
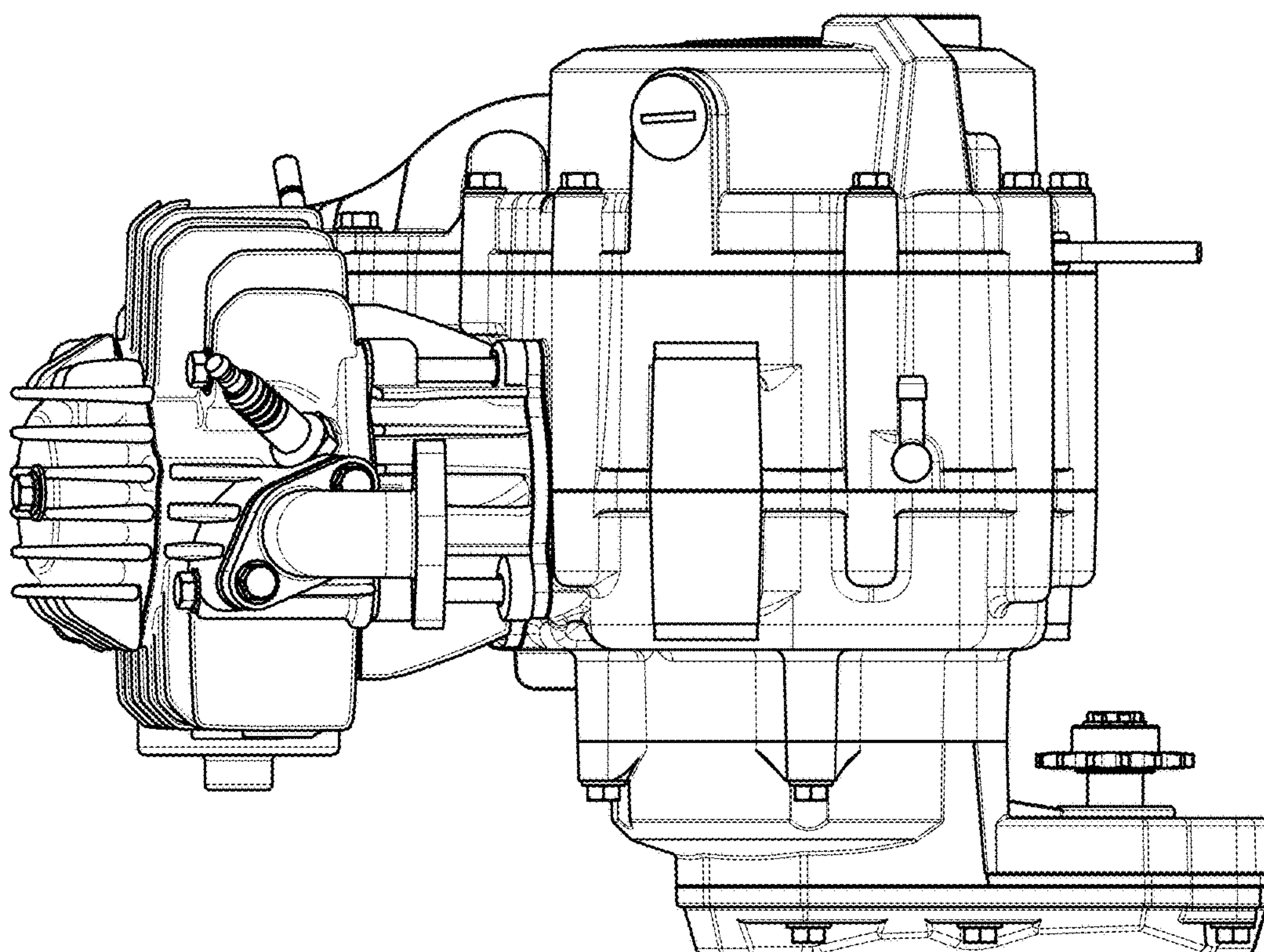


FIG. 5



F I G . 6

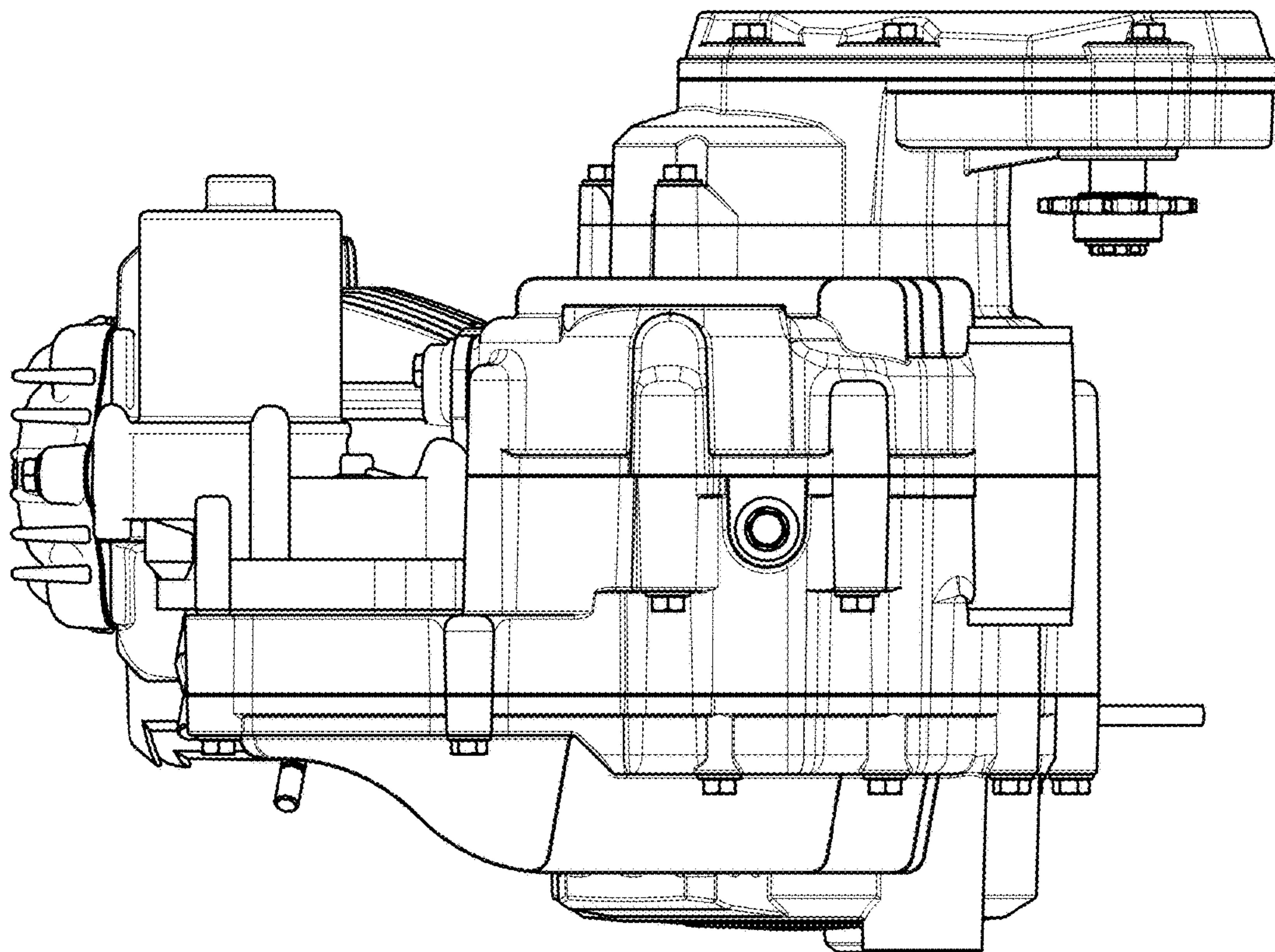


FIG. 7