



US00D781885S

(12) **United States Design Patent** (10) **Patent No.:** **US D781,885 S**
Bhat et al. (45) **Date of Patent:** **** Mar. 21, 2017**

(54) **DISPLAY SCREEN OR PORTION THEREOF WITH GRAPHICAL USER INTERFACE**

(71) Applicant: **Covidien LP**, Mansfield, MA (US)

(72) Inventors: **Shilpa Bhat**, Sunnyvale, CA (US);
Zheng Zhang, Sunnyvale, CA (US);
Baiyang Qiu, Milpitas, CA (US);
Brady Esch, San Jose, CA (US)

(73) Assignee: **Covidien LP**, Mansfield, MA (US)

(**) Term: **14 Years**

(21) Appl. No.: **29/497,254**

(22) Filed: **Jul. 22, 2014**

(51) **LOC (10) Cl.** **14-04**

(52) **U.S. Cl.**
USPC **D14/486**

(58) **Field of Classification Search**
USPC D14/485–495
CPC G06F 3/048
See application file for complete search history.

(56) **References Cited**

U.S. PATENT DOCUMENTS

| | | | | |
|--------------|---------|-----------|-------|---------|
| D316,875 S * | 5/1991 | Momot | | D20/12 |
| D461,478 S * | 8/2002 | Bungert | | D14/489 |
| D525,632 S * | 7/2006 | Jost | | D14/490 |
| D563,977 S * | 3/2008 | Carl | | D14/488 |
| D602,944 S * | 10/2009 | Barkhouse | | D14/488 |
| D604,742 S * | 11/2009 | Nagata | | D14/486 |
| D605,201 S * | 12/2009 | Lorenz | | D14/488 |
| D614,192 S * | 4/2010 | Takano | | D14/486 |
| D626,143 S * | 10/2010 | Karten | | D14/491 |
| D638,028 S * | 5/2011 | Cook | | D14/488 |
| D667,018 S * | 9/2012 | Clanton | | D14/485 |
| D672,784 S * | 12/2012 | Clanton | | D14/485 |
| D686,240 S * | 7/2013 | Lin | | D14/488 |

| | | | | |
|-------------------|---------|----------|-------|-------------------------|
| D687,445 S * | 8/2013 | Fuhrmann | | D14/485 |
| D695,757 S * | 12/2013 | Ray | | D14/486 |
| D722,072 S * | 2/2015 | Sloo | | D14/486 |
| D742,389 S * | 11/2015 | Francis | | D14/485 |
| D747,325 S * | 1/2016 | Yoo | | D14/485 |
| D750,119 S * | 2/2016 | Agarwal | | D14/486 |
| D752,072 S * | 3/2016 | Song | | D14/486 |
| D753,138 S * | 4/2016 | Kim | | D14/485 |
| D757,796 S * | 5/2016 | Kurz | | D14/489 |
| D758,409 S * | 6/2016 | Aoshima | | D14/487 |
| D760,244 S * | 6/2016 | Lv | | D14/485 |
| D760,729 S * | 7/2016 | Cole | | D14/485 |
| D763,883 S * | 8/2016 | Kim | | D14/486 |
| 2006/0085763 A1 * | 4/2006 | Leavitt | | G06F 3/04817 715/810 |
| 2009/0150807 A1 * | 6/2009 | George | | G06F 3/0482 715/763 |

(Continued)

OTHER PUBLICATIONS

Covidien, VNUS Radio Frequency Generator RFG Plus Model RFG2 Operator's Manual, 2011, USA.

(Continued)

Primary Examiner — Kevin Rudzinski

(57) **CLAIM**

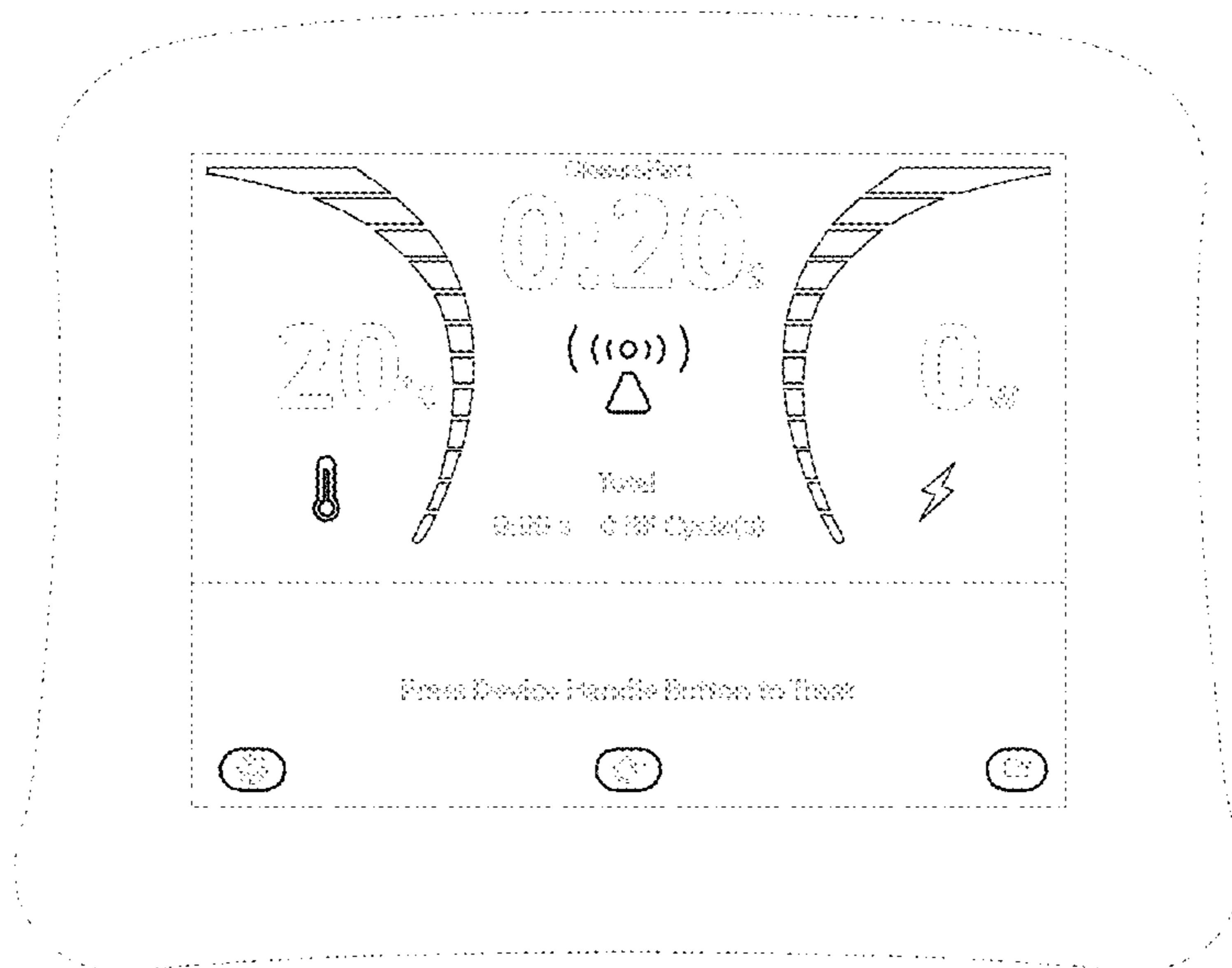
The ornamental design for a display screen or portion thereof with a graphical user interface, as shown and described.

DESCRIPTION

The FIGURE is a front elevation view of a display screen or portion thereof with a graphical user interface showing our new design.

The broken lines shown in the FIGURE illustrate the display screen and portions of the graphical user interface that form no part of the claimed design.

1 Claim, 1 Drawing Sheet



(56)

References Cited

U.S. PATENT DOCUMENTS

2010/0245259 A1* 9/2010 Bairagi G05B 19/0423
345/173

OTHER PUBLICATIONS

Covidien, Covidien Closure RFG Radiofrequency Generator Sales
Sheet, 2011, USA.

* cited by examiner

