



US00D781876S

(12) **United States Design Patent** (10) **Patent No.:** **US D781,876 S**
Wang (45) **Date of Patent:** **** Mar. 21, 2017**

(54) **DISPLAY SCREEN OR A PORTION OF A DISPLAY SCREEN WITH ANIMATED GRAPHICAL USER INTERFACE**

(71) Applicant: **Lenovo (Beijing) Co., Ltd.**, Beijing (CN)

(72) Inventor: **Renjie Wang**, Beijing (CN)

(73) Assignee: **LENOVO (BEIJING) CO., LTD.**, Haidian District, Beijing (CN)

(**) Term: **15 Years**

(21) Appl. No.: **29/526,791**

(22) Filed: **May 13, 2015**

Related U.S. Application Data

(62) Division of application No. 29/445,484, filed on Feb. 12, 2013, now Pat. No. Des. 736,780.

Foreign Application Priority Data

Dec. 27, 2012 (CN) 2012 3 0656444

(51) **LOC (10) Cl.** **14-04**

(52) **U.S. Cl.**
USPC **D14/485**

(58) **Field of Classification Search**

CPC G06F 3/048; G06F 3/0481; G06F 3/04817; G06F 3/0482

See application file for complete search history.

(56) **References Cited**

U.S. PATENT DOCUMENTS

D392,632 S * 3/1998 Spiegel D10/125
D453,167 S * 1/2002 Hasegawa D14/489

(Continued)

Primary Examiner — Angela J Lee

(74) *Attorney, Agent, or Firm* — Brinks Gilson & Lione; G. Peter Nichols

(57) **CLAIM**

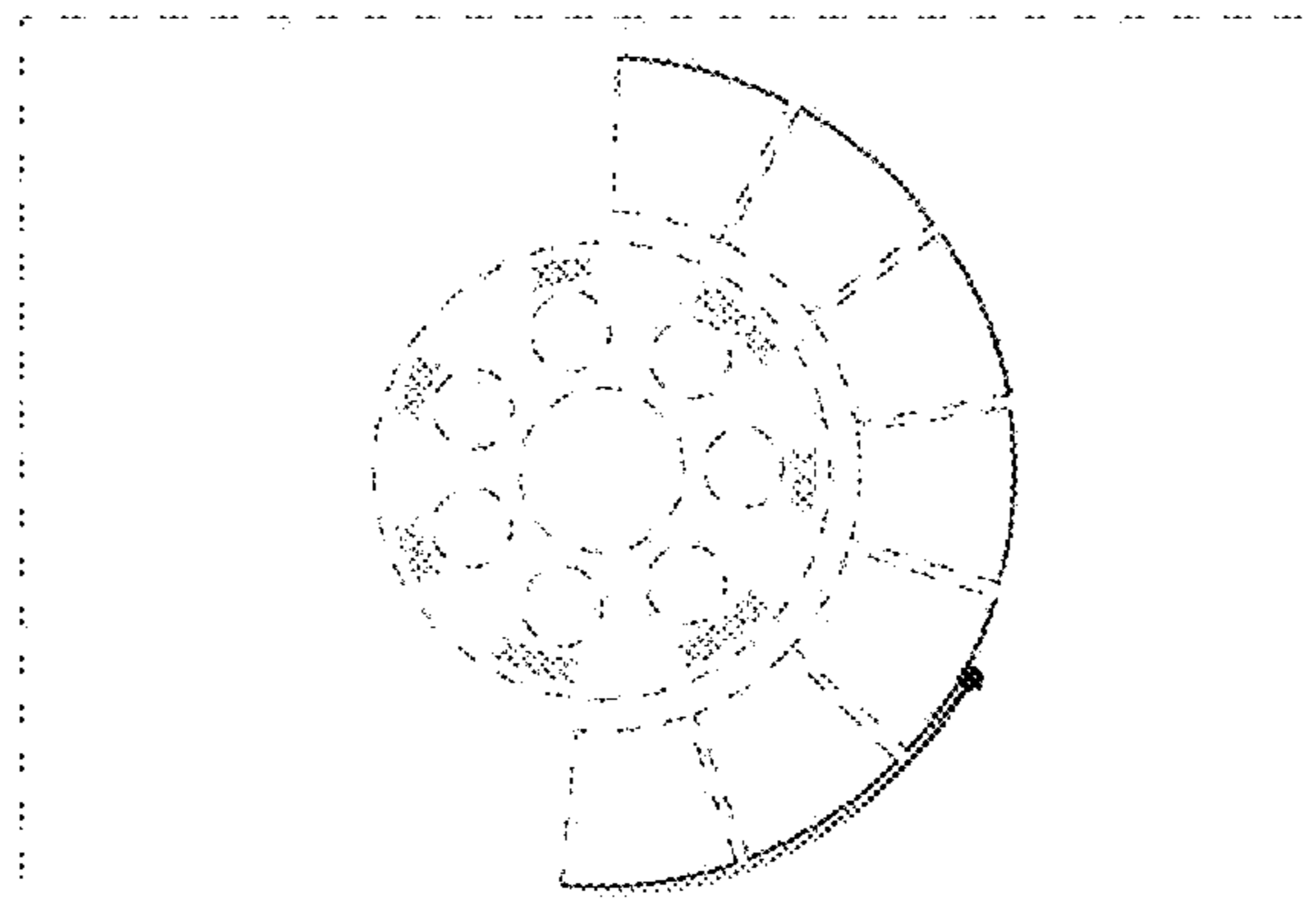
The ornamental design for a display screen or a portion of a display screen with animated graphical user interface, as shown and described.

DESCRIPTION

FIG. 1 is an embodiment of a first image in a sequence for a display screen or a portion of a display screen with animated graphical user interface showing my new design; FIG. 2 is the second image thereof; FIG. 3 is the third image thereof; FIG. 4 is another embodiment showing an alternate embodiment of a first image in a sequence for a display screen or a portion of a display screen with animated graphical user interface showing my new design; FIG. 5 is the second image thereof; FIG. 6 is the third image thereof; FIG. 7 is another embodiment showing an alternate embodiment of a first image in a sequence for a display screen or a portion of a display screen with animated graphical user interface showing my new design; FIG. 8 is the second image thereof; FIG. 9 is the third image thereof; FIG. 10 is another embodiment showing an alternate embodiment of a first image in a sequence for a display screen or a portion of a display screen with animated graphical user interface showing my new design; FIG. 11 is the second image thereof; FIG. 12 is the third image thereof; FIG. 13 is another embodiment showing an alternate embodiment of a first image in a sequence for a display screen or a portion of a display screen with animated graphical user interface showing my new design; FIG. 14 is the second image thereof; and, FIG. 15 is the third image thereof.

The appearance of the animated user interface sequentially transitions between the images shown in FIGS. 1-3; FIGS. 4-6; FIGS. 7-9; FIGS. 10-12; and FIGS. 13-15. The process or period in which one image transitions to another forms no part of the claimed design.

(Continued)



The broken line showing the remainder of the display screen or a portion of the display screen with animated graphical user interface in FIGS. 1-15 forms no part of the claimed design.

1 Claim, 8 Drawing Sheets

(56)

References Cited

U.S. PATENT DOCUMENTS

D474,197	S	*	5/2003	Nguyen	D14/486
D589,968	S	*	4/2009	Park	D14/485
D630,644	S	*	1/2011	Wilson	D14/486
D630,646	S	*	1/2011	Wilson	D14/487
D700,618	S	*	3/2014	Hwang	D14/486
D715,313	S	*	10/2014	Hontz, Jr.	D14/485
D720,366	S	*	12/2014	Hiltunen	D14/487
D720,767	S	*	1/2015	Miller	D14/486
D721,090	S	*	1/2015	Hong	D14/487
D724,621	S	*	3/2015	Rydenhag	D14/489
D736,780	S	*	8/2015	Wang	D14/485
D740,301	S	*	10/2015	Soegiono G06F 3/04817	D14/485
D740,302	S	*	10/2015	Son G06F 3/04817	D14/485
D741,359	S	*	10/2015	Ji-Hye	D14/488
D753,712	S	*	4/2016	Lee G06F 3/04817	D14/489
D768,191	S	*	10/2016	Do	D14/489

* cited by examiner

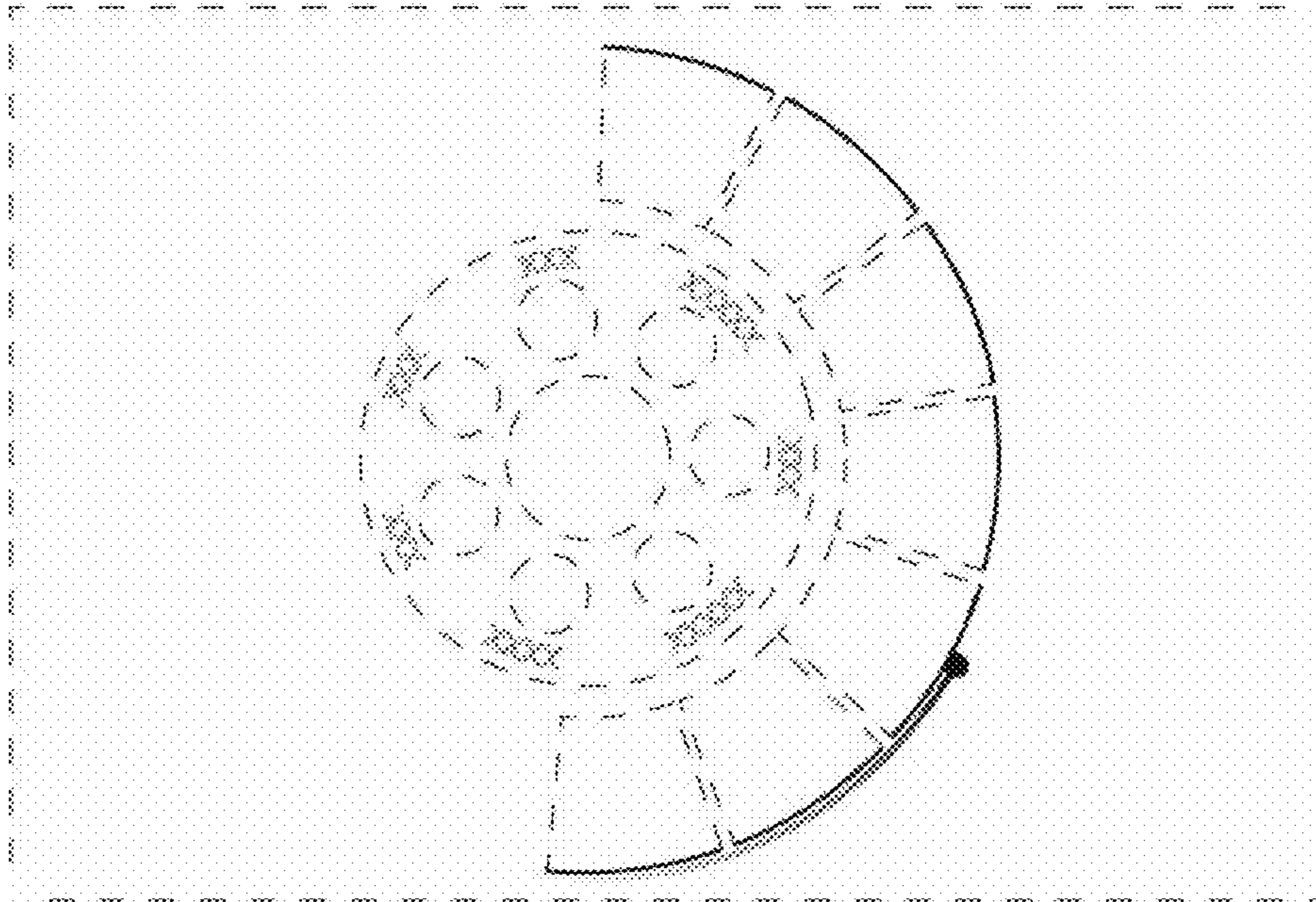


Fig. 1

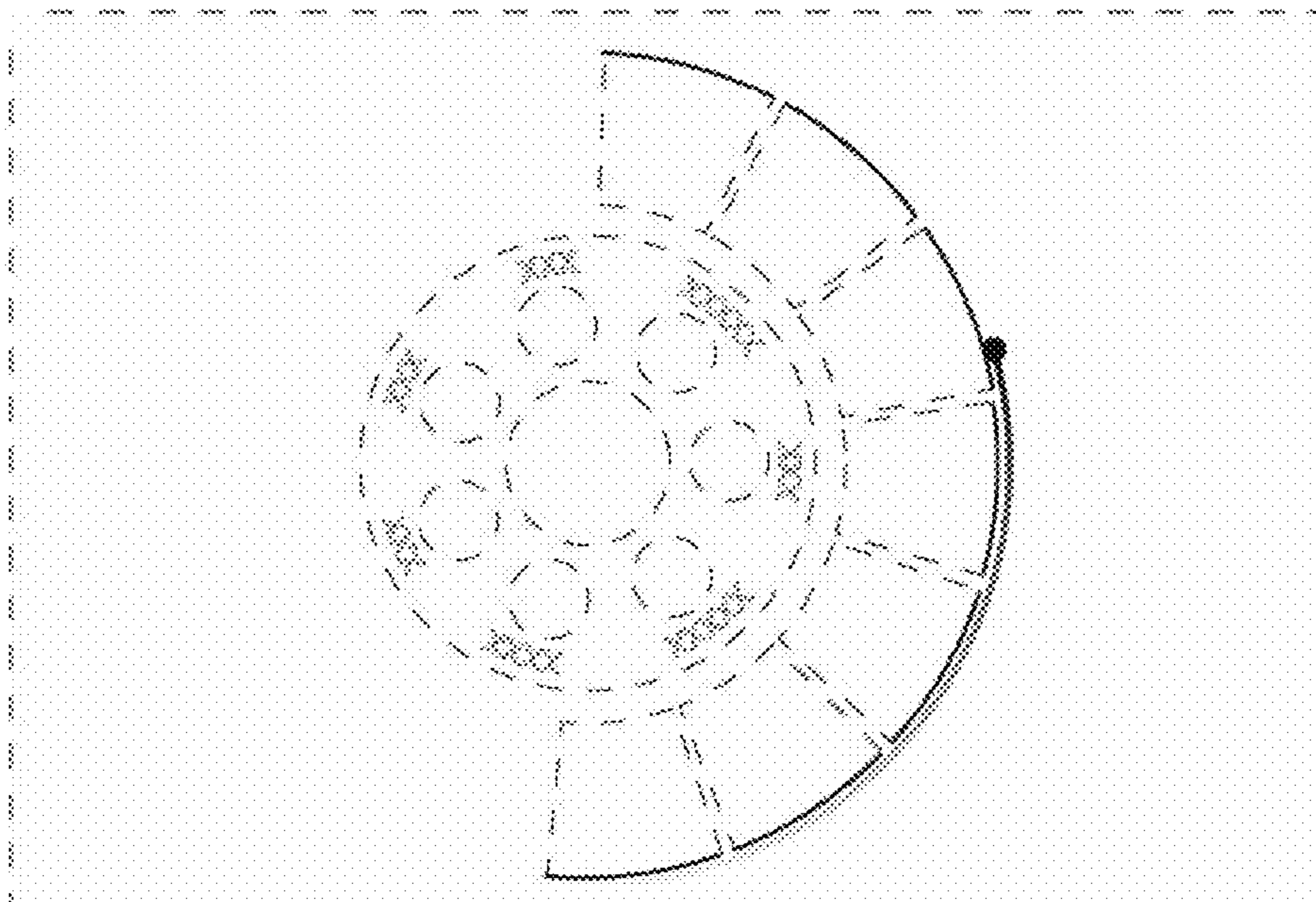


Fig. 2

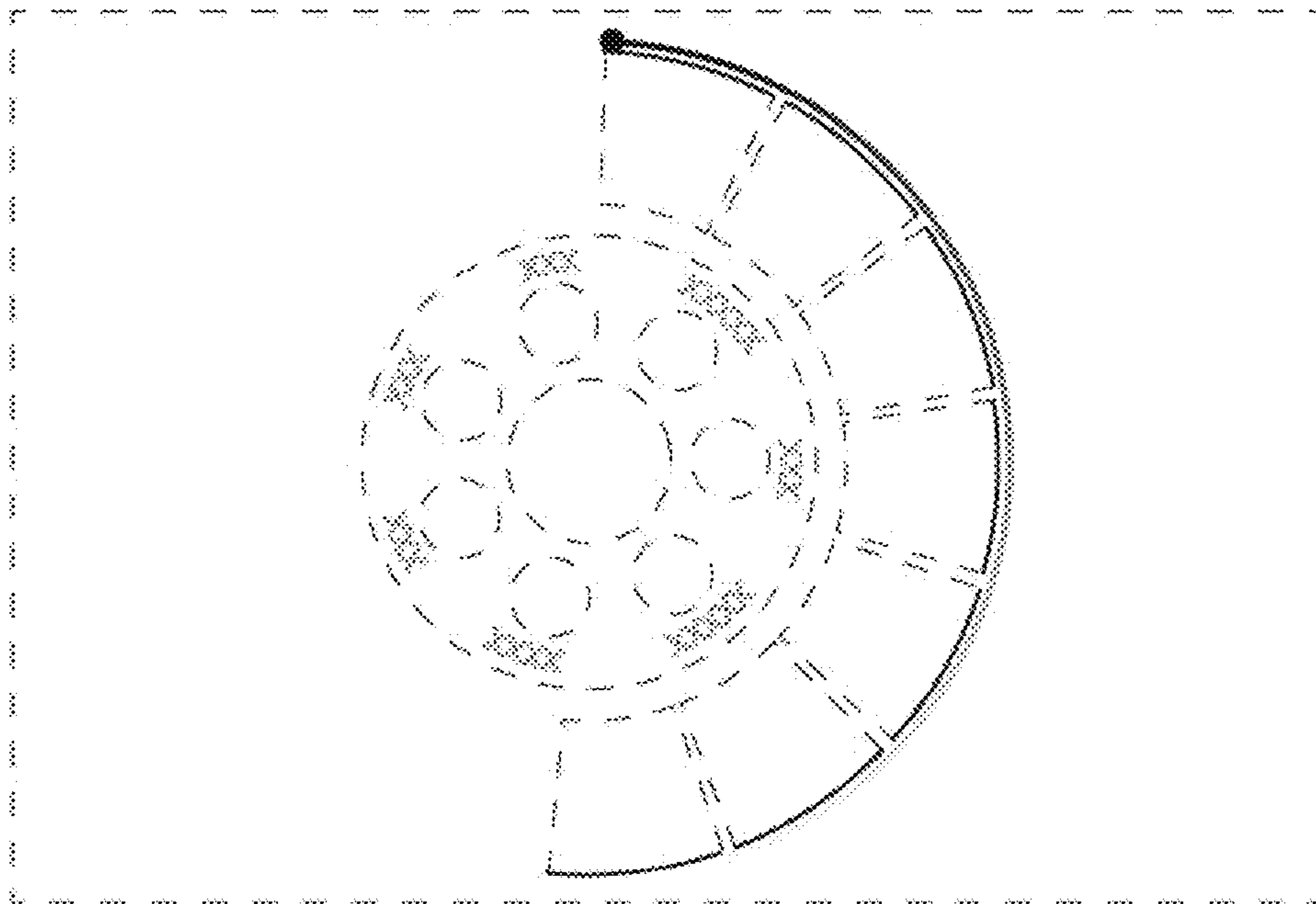


Fig. 3

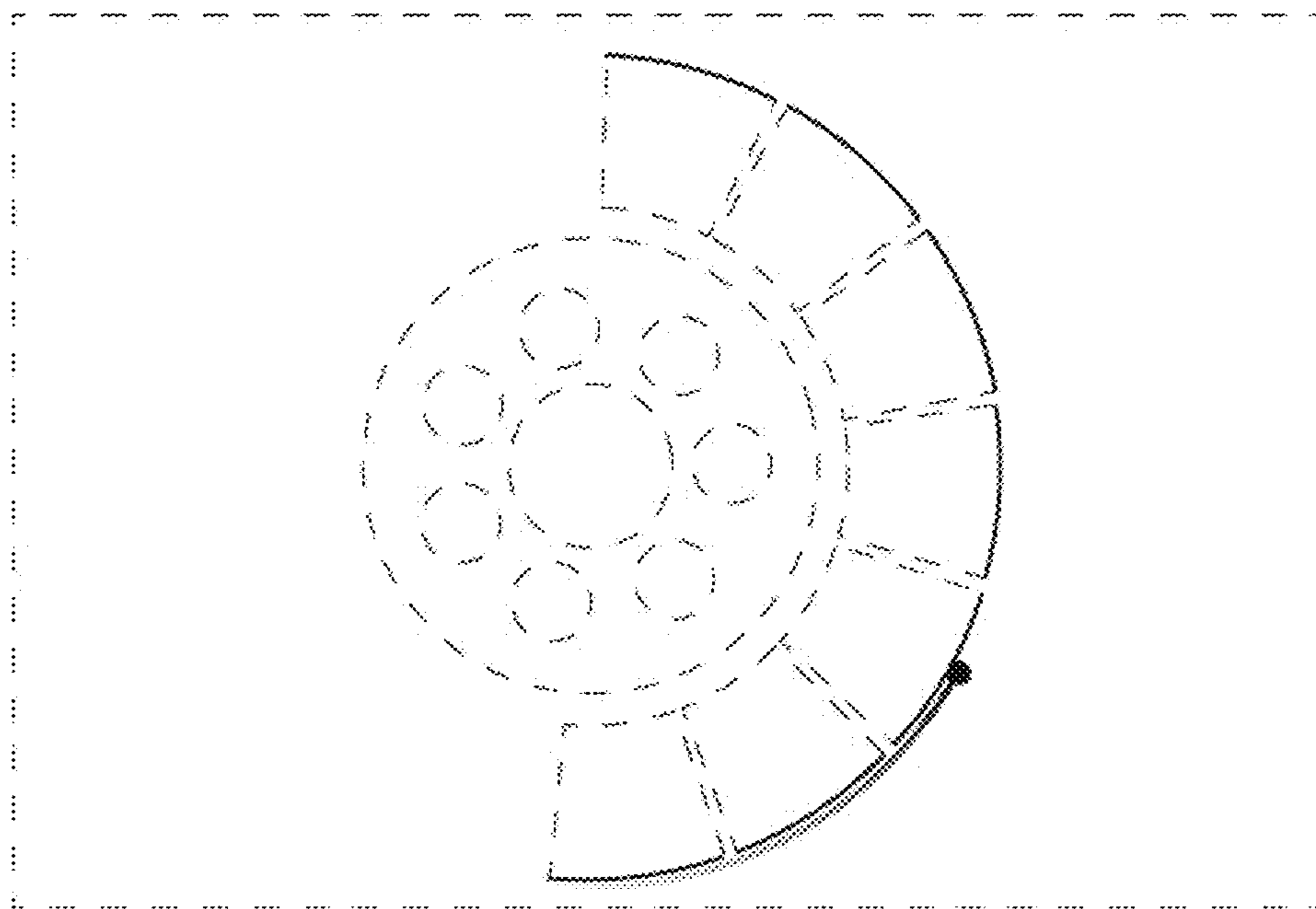


Fig. 4

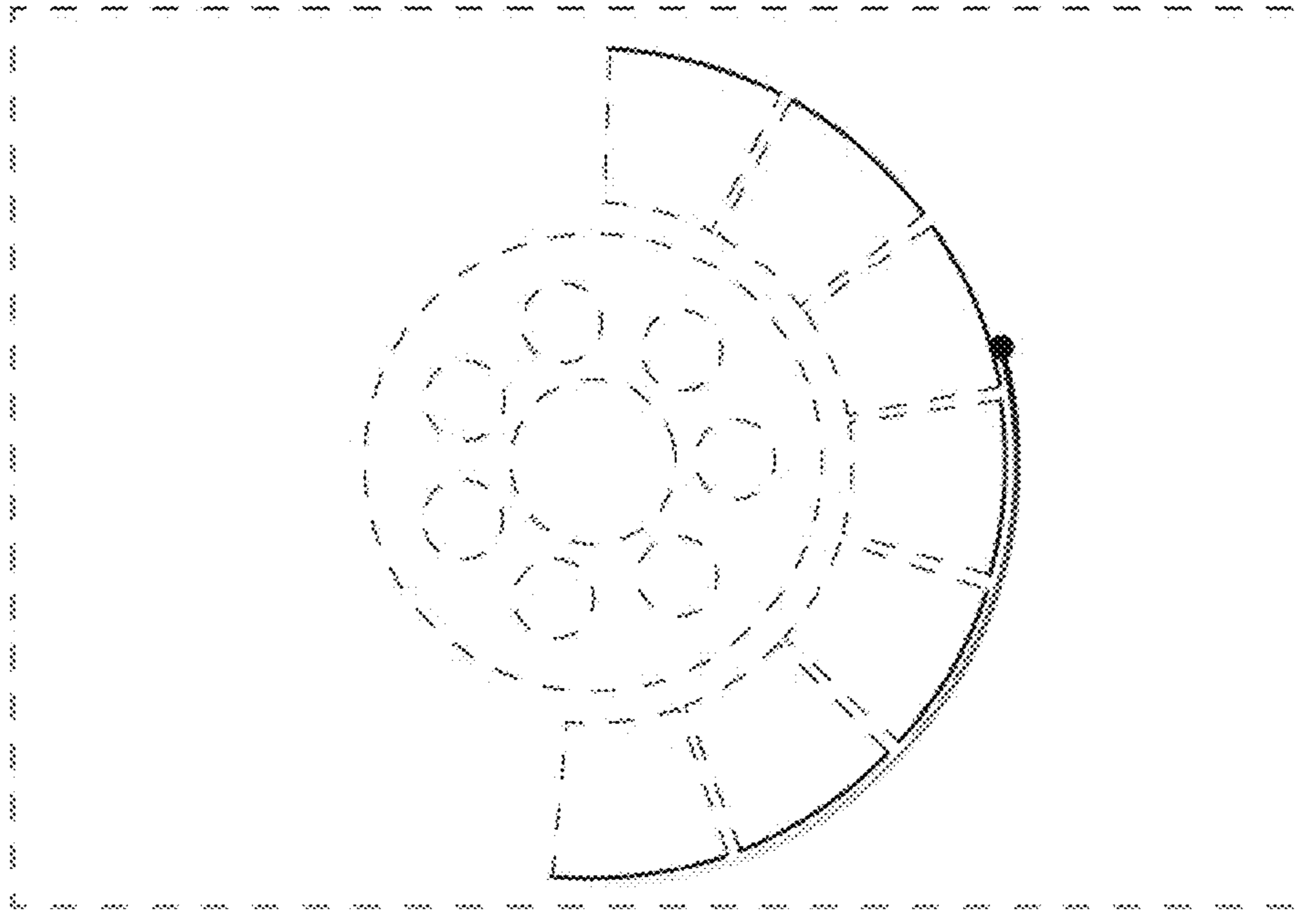


Fig. 5

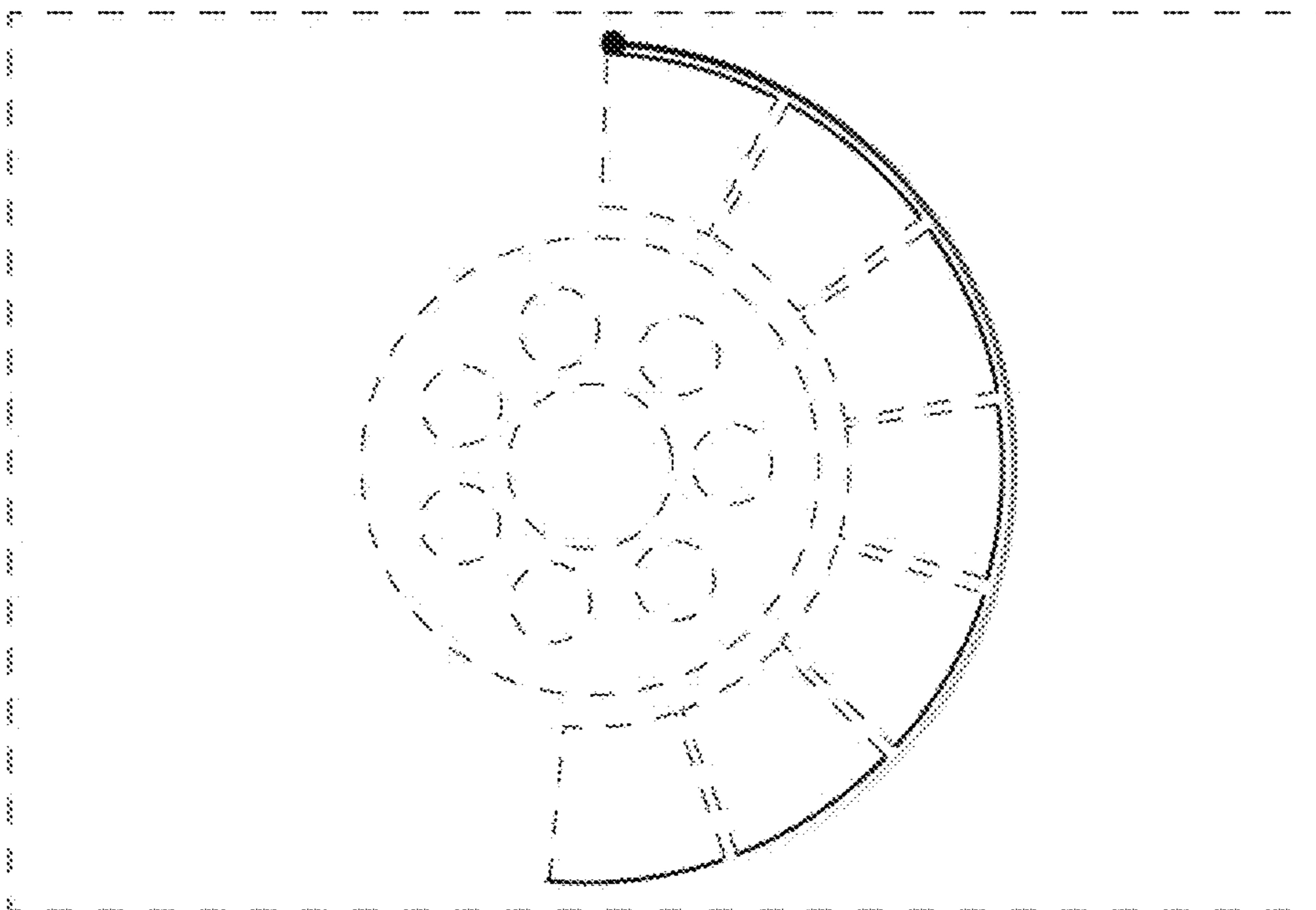


Fig. 6

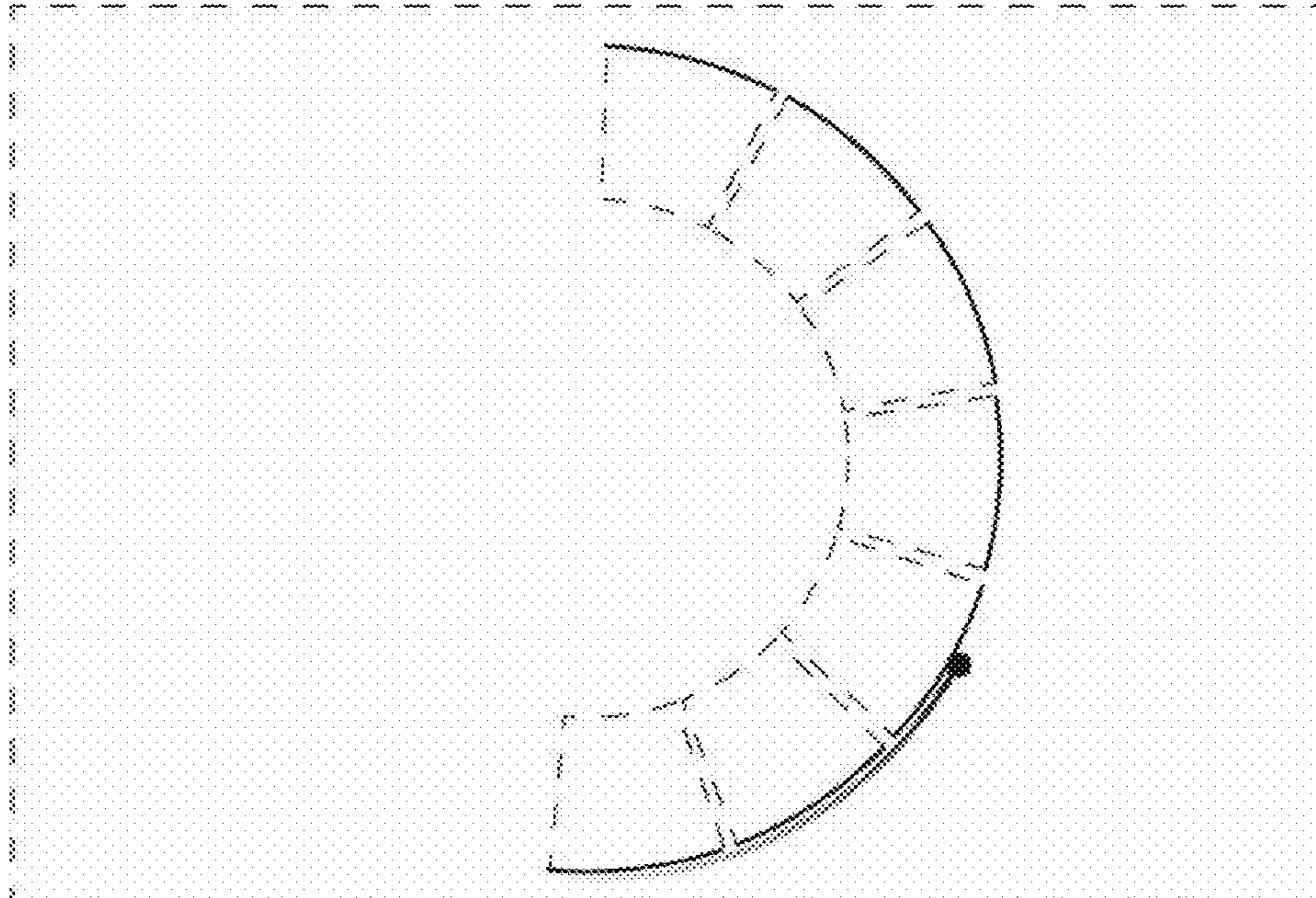


Fig. 7

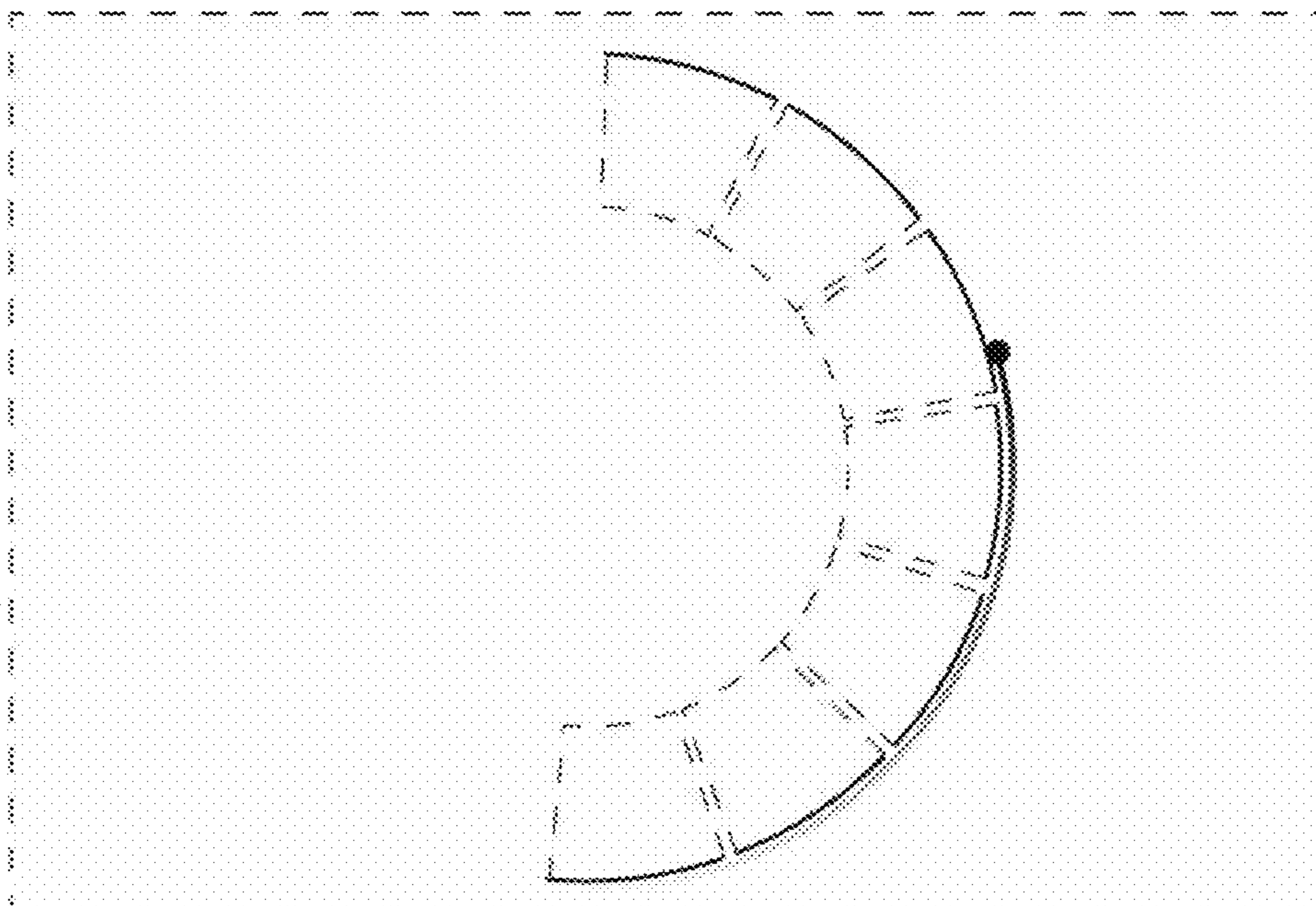


Fig. 8

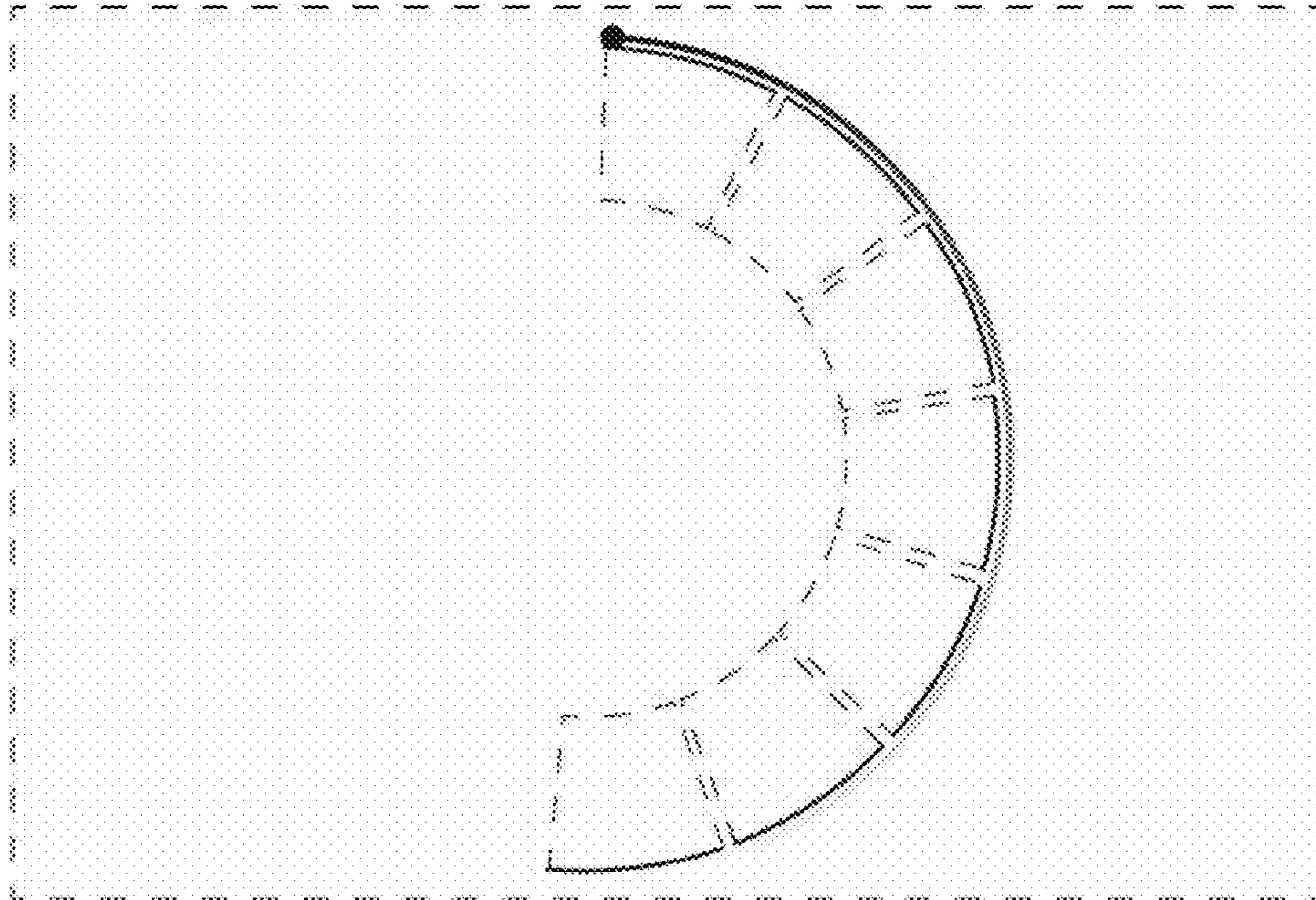


Fig. 9

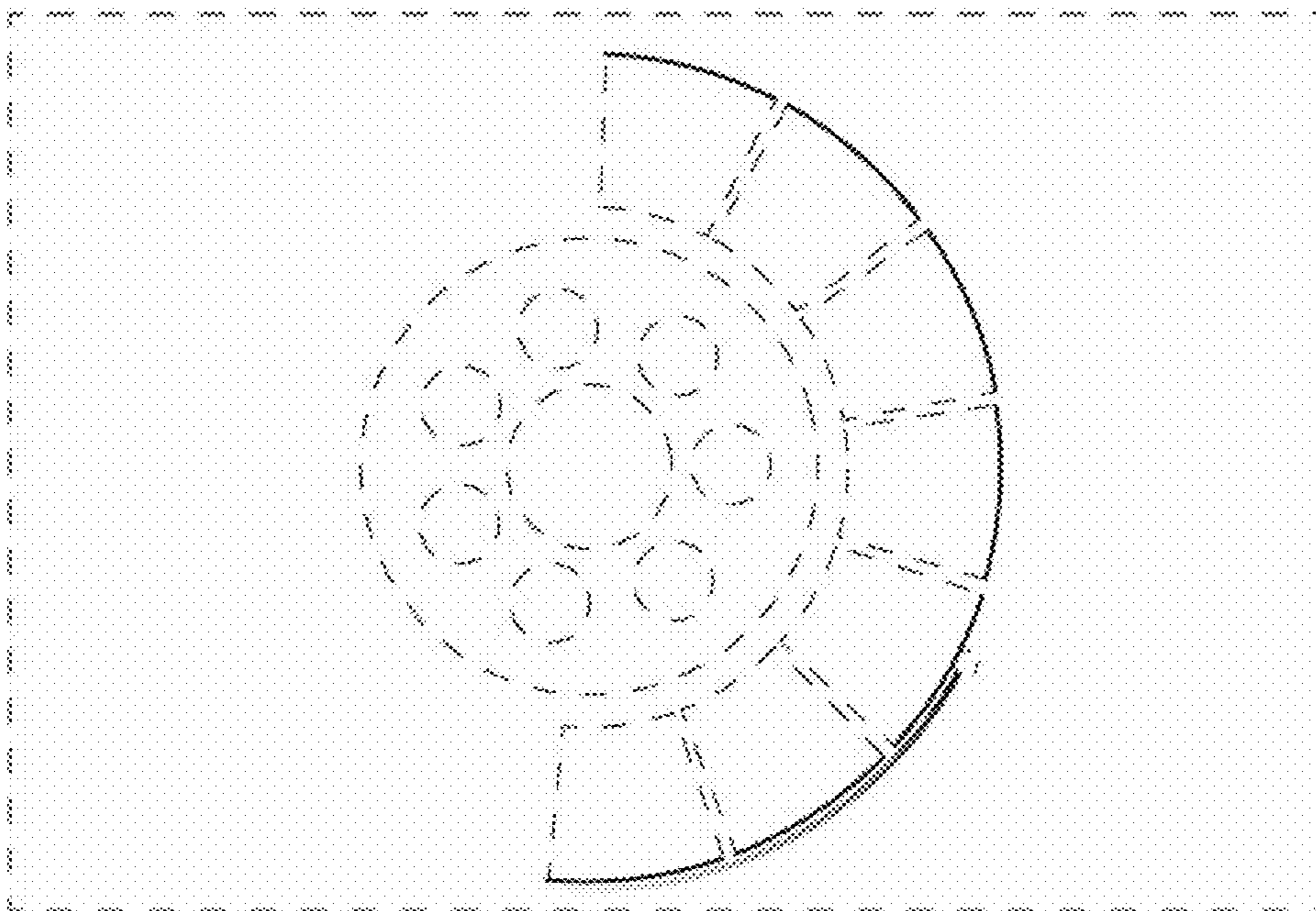


Fig. 10

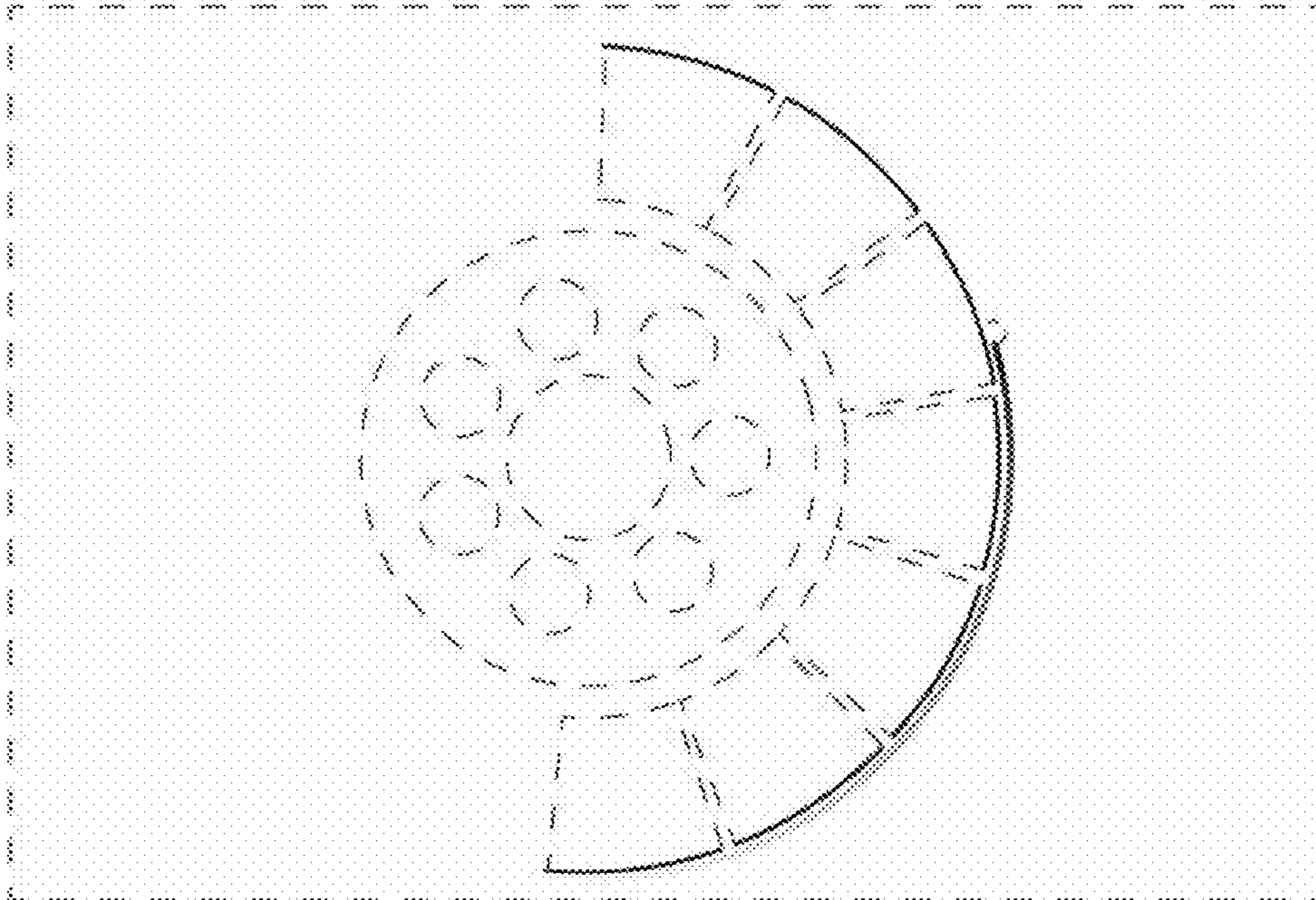


Fig. 11

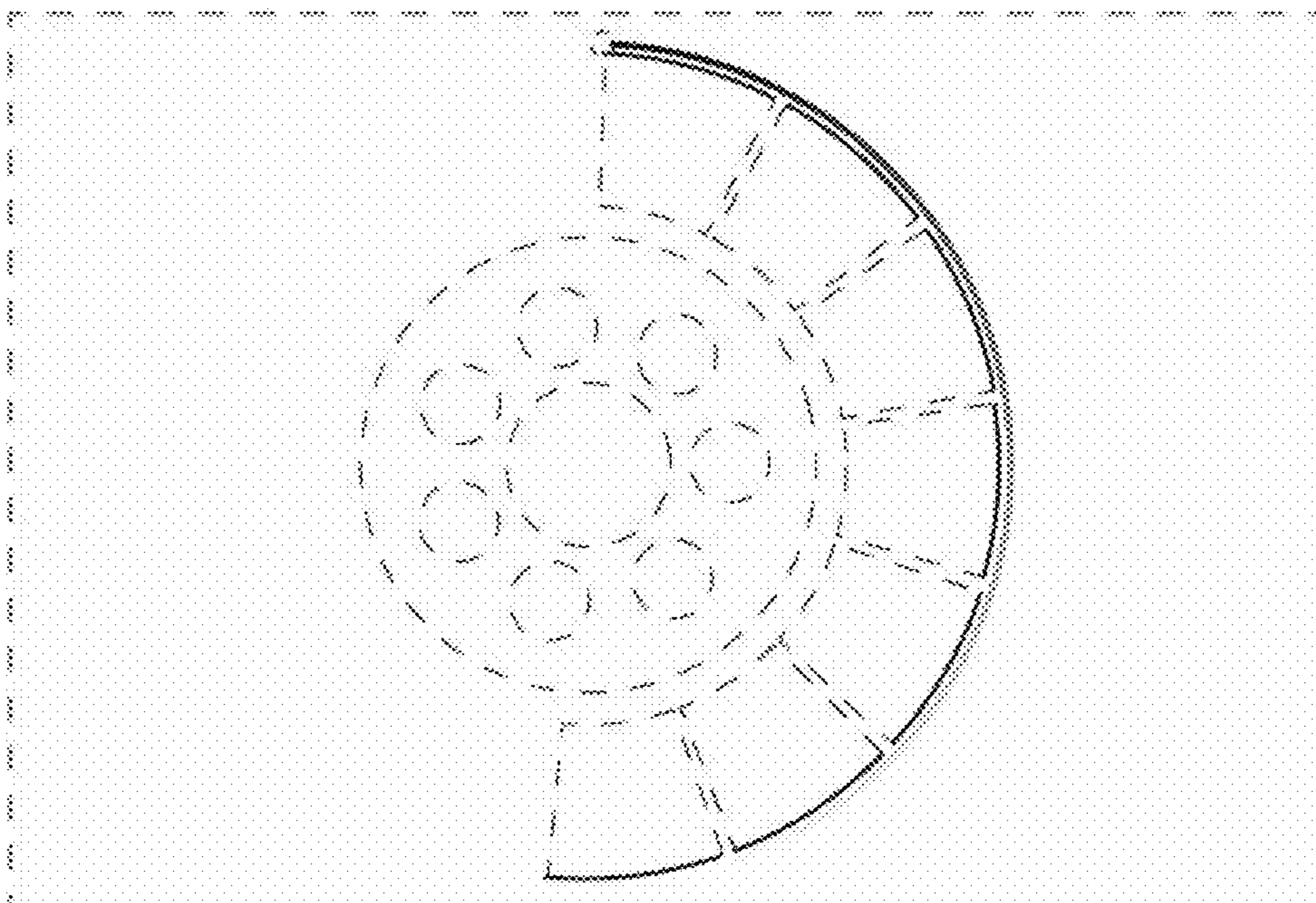


Fig. 12

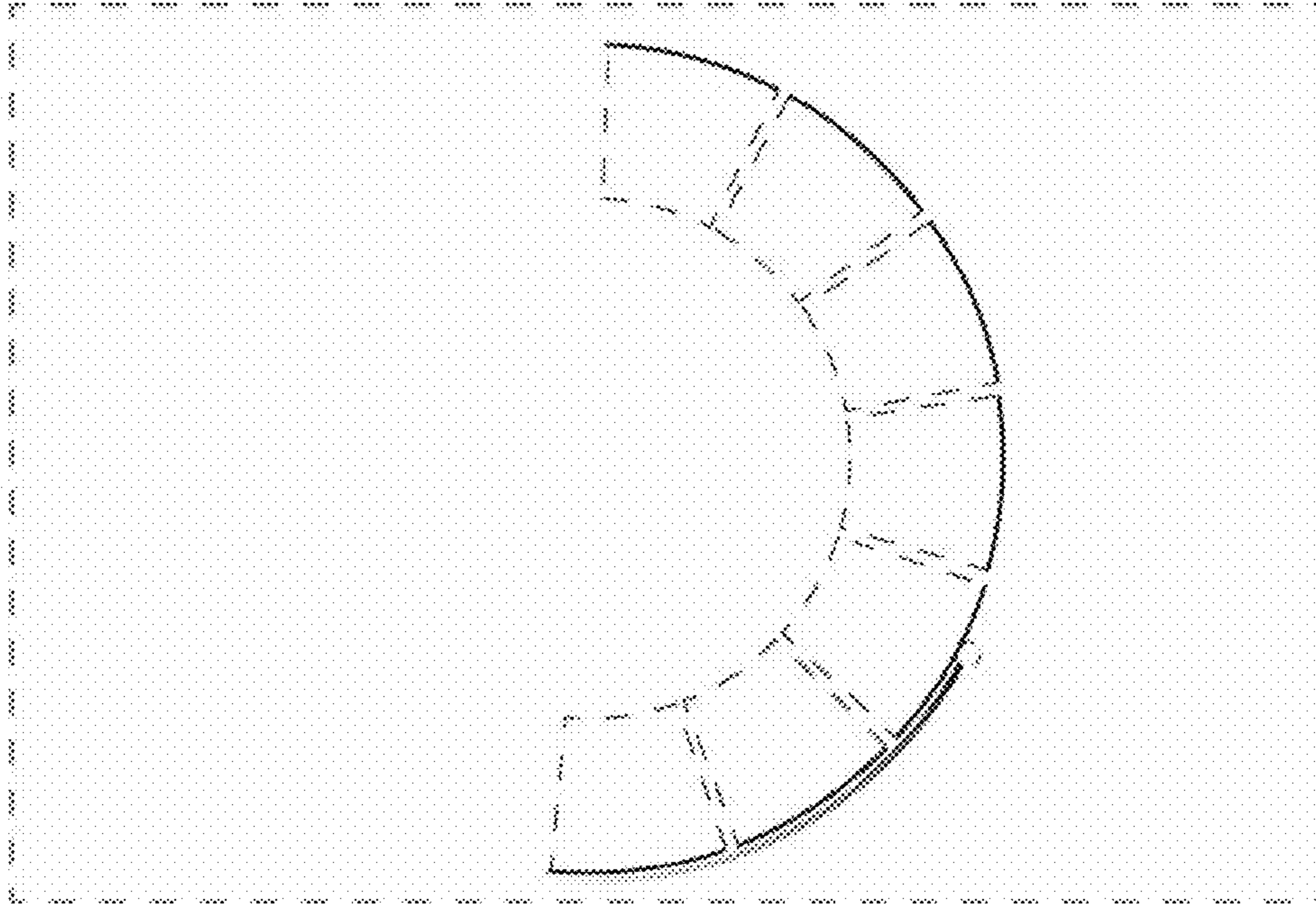


Fig. 13

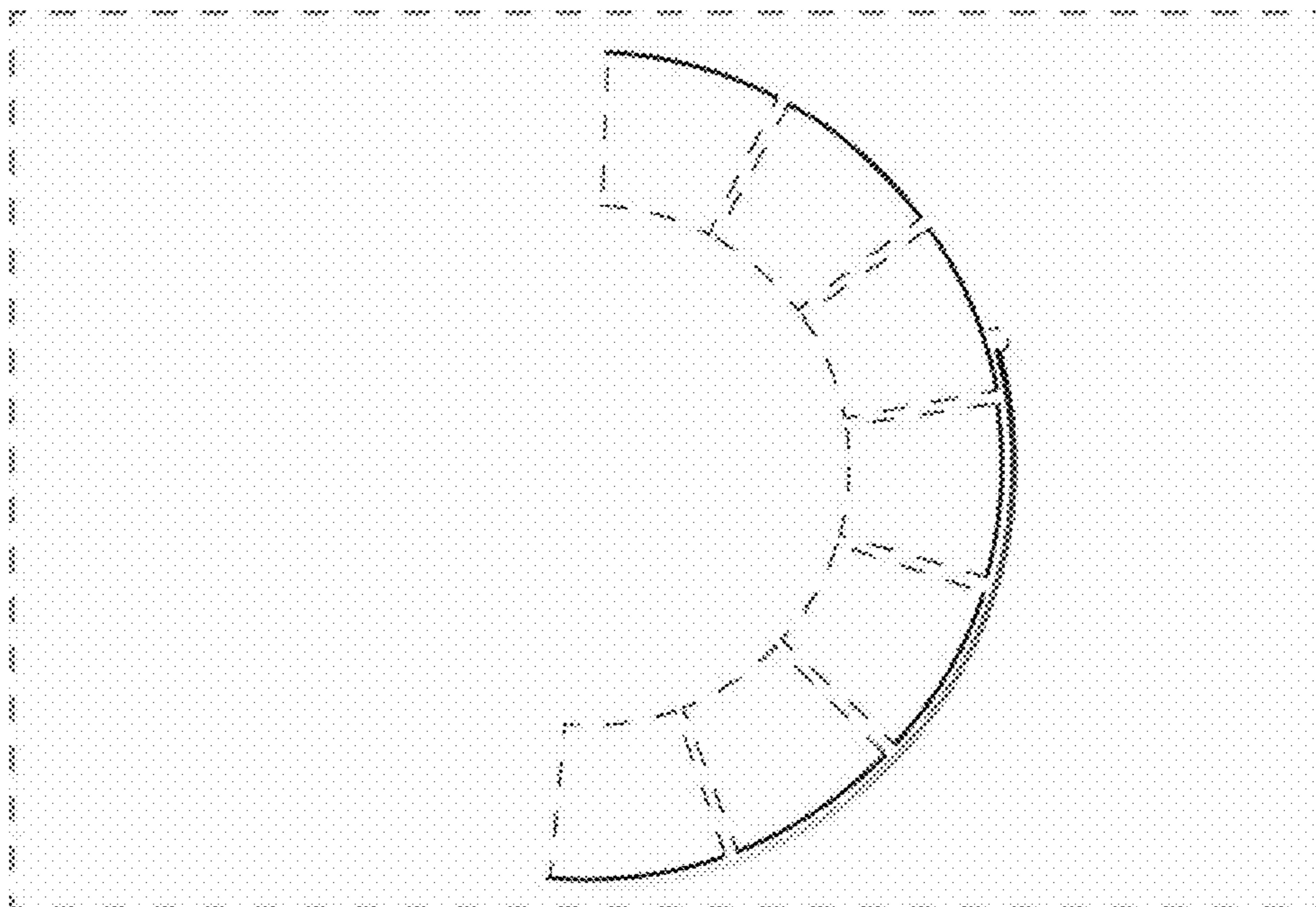


Fig. 14

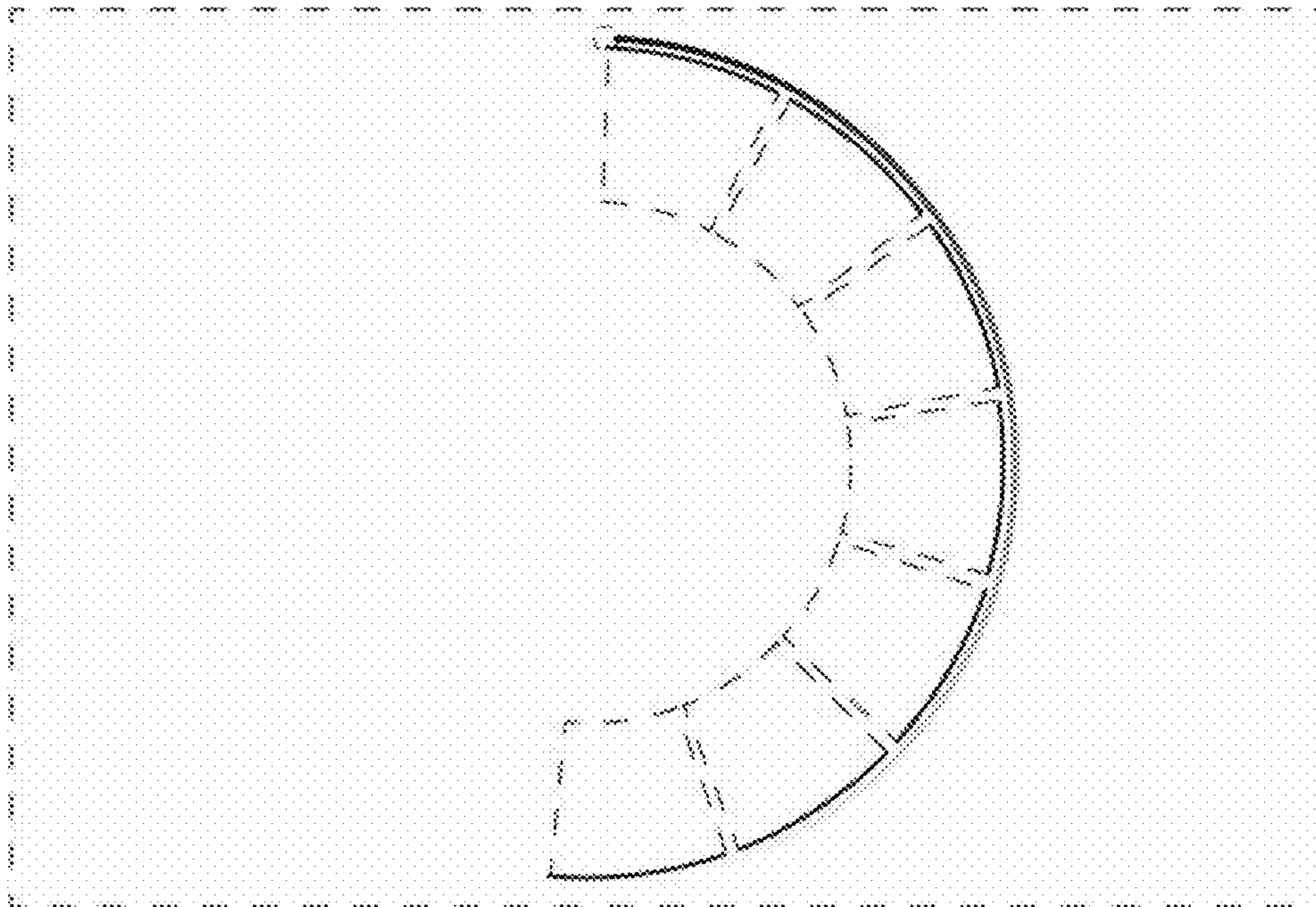


Fig. 15