



US00D781875S

(12) **United States Design Patent**  
**Wang**

(10) **Patent No.:** **US D781,875 S**

(45) **Date of Patent:** **\*\* Mar. 21, 2017**

(54) **DISPLAY SCREEN OR A PORTION OF A DISPLAY SCREEN WITH ANIMATED GRAPHICAL USER INTERFACE**

(71) Applicant: **Lenovo (Beijing) Co., Ltd.**, Beijing (CN)

(72) Inventor: **Renjie Wang**, Beijing (CN)

(73) Assignee: **LENOVO (BEIJING) CO., LTD.**, Haidian District, Beijing (CN)

(\*\*) Term: **15 Years**

(21) Appl. No.: **29/526,787**

(22) Filed: **May 13, 2015**

**Related U.S. Application Data**

(62) Division of application No. 29/445,484, filed on Feb. 12, 2013, now Pat. No. Des. 736,780.

(30) **Foreign Application Priority Data**

Dec. 27, 2012 (CN) ..... 2012 3 0656444

(51) **LOC (10) Cl.** ..... **14-04**

(52) **U.S. Cl.**  
USPC ..... **D14/485**

(58) **Field of Classification Search**  
CPC .... G06F 3/048; G06F 3/0481; G06F 3/04817;  
G06F 3/0482  
See application file for complete search history.

(56) **References Cited**

**U.S. PATENT DOCUMENTS**

D392,632 S \* 3/1998 Spiegel ..... D10/125  
D453,167 S \* 1/2002 Hasegawa ..... D14/489

D474,197 S \* 5/2003 Nguyen ..... D14/486  
D589,968 S \* 4/2009 Park ..... D14/485  
D630,644 S \* 1/2011 Wilson ..... D14/486  
D630,646 S \* 1/2011 Wilson ..... D14/487  
D700,618 S \* 3/2014 Hwang ..... D14/486  
D715,313 S \* 10/2014 Hontz, Jr. .... D14/485  
D720,366 S \* 12/2014 Hiltunen ..... D14/487  
D720,767 S \* 1/2015 Miller ..... D14/486  
D721,090 S \* 1/2015 Hong ..... D14/487  
D724,621 S \* 3/2015 Rydenhag ..... D14/489  
D736,780 S \* 8/2015 Wang ..... D14/485  
D740,301 S \* 10/2015 Soegiono ..... G06F 3/04817  
D14/485

(Continued)

*Primary Examiner* — Angela J Lee

(74) *Attorney, Agent, or Firm* — Brinks Gilson & Lione;  
G. Peter Nichols

(57) **CLAIM**

The ornamental design for a display screen or a portion of a display screen with animated graphical user interface, as shown and described.

**DESCRIPTION**

FIG. 1 is the first image in a sequence for a display screen or a portion of a display screen with animated graphical user interface showing my new design;

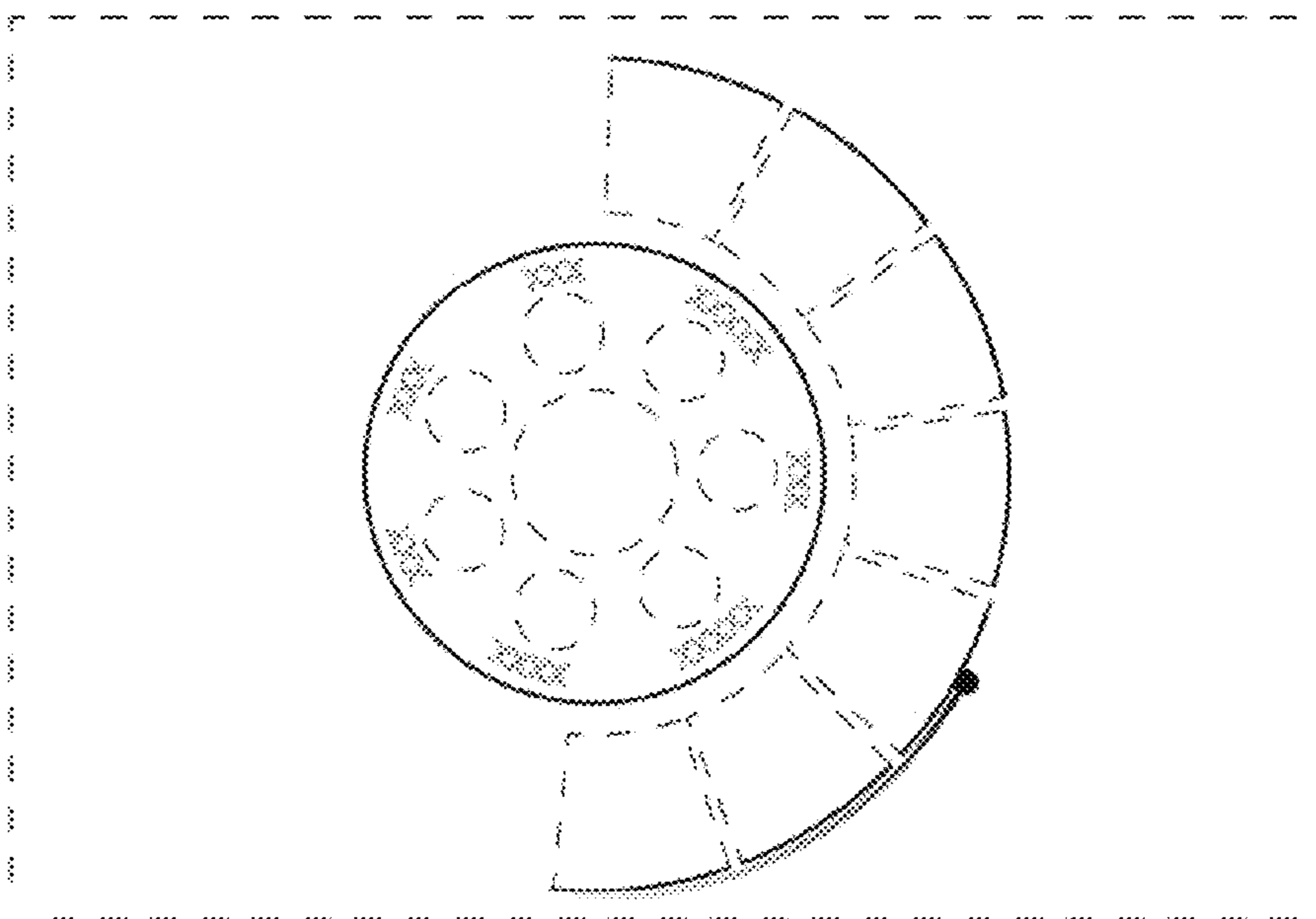
FIG. 2 is the second image thereof; and,

FIG. 3 is the third image thereof.

The appearance of the animated user interface sequentially transitions between the images shown in FIGS. 1-3. The process or period in which one image transitions to another forms no part of the claimed design.

The broken line showing the remainder of the display screen or a portion of the display screen in FIGS. 1-3 forms no part of the claimed design.

**1 Claim, 2 Drawing Sheets**



(56)

**References Cited**

U.S. PATENT DOCUMENTS

D740,302 S \* 10/2015 Son ..... G06F 3/04817  
D14/485  
D741,359 S \* 10/2015 Ji-Hye ..... D14/488  
D753,712 S \* 4/2016 Lee ..... G06F 3/04817  
D14/489  
D768,191 S \* 10/2016 Do ..... D14/489

\* cited by examiner

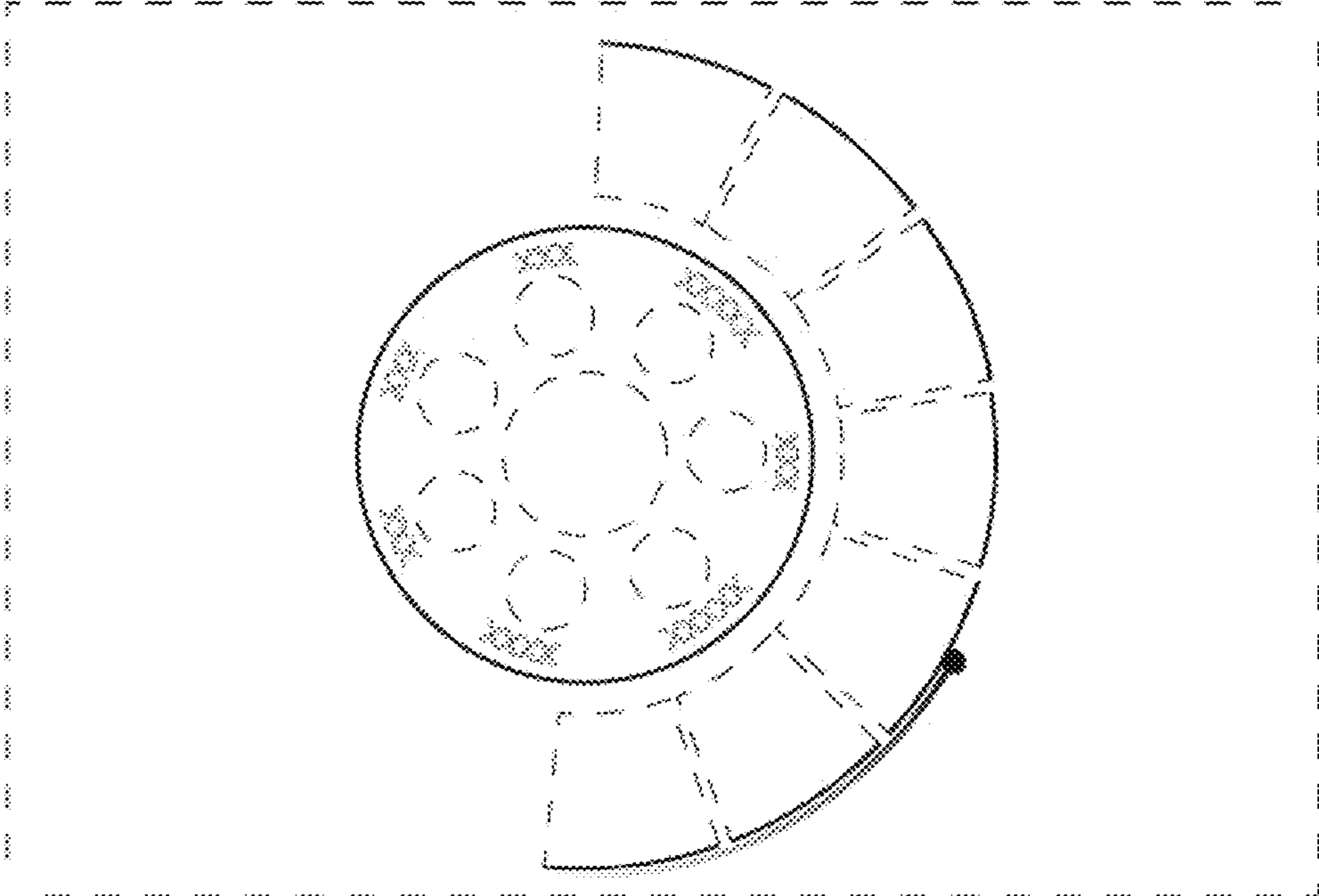


Fig. 1

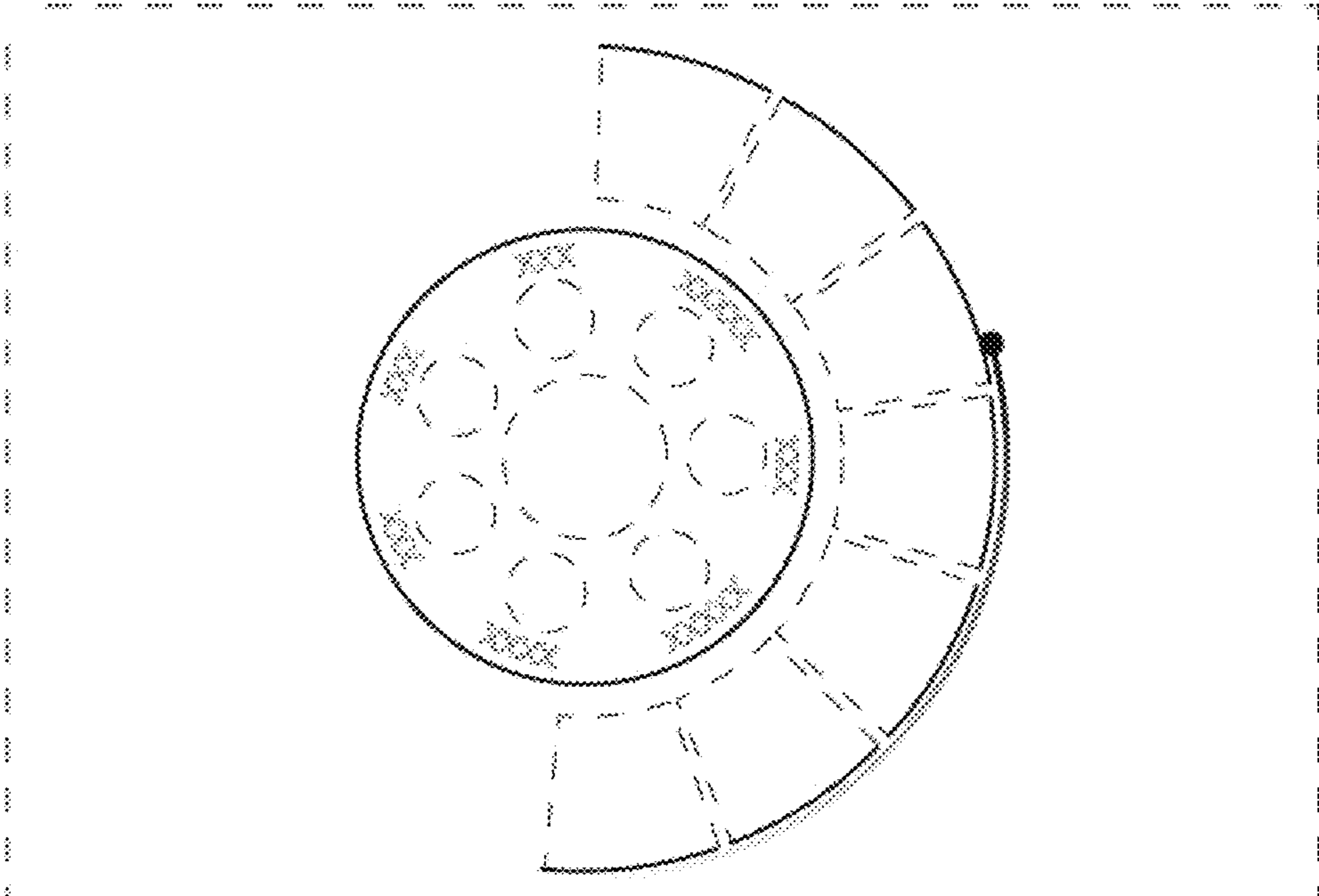


Fig. 2

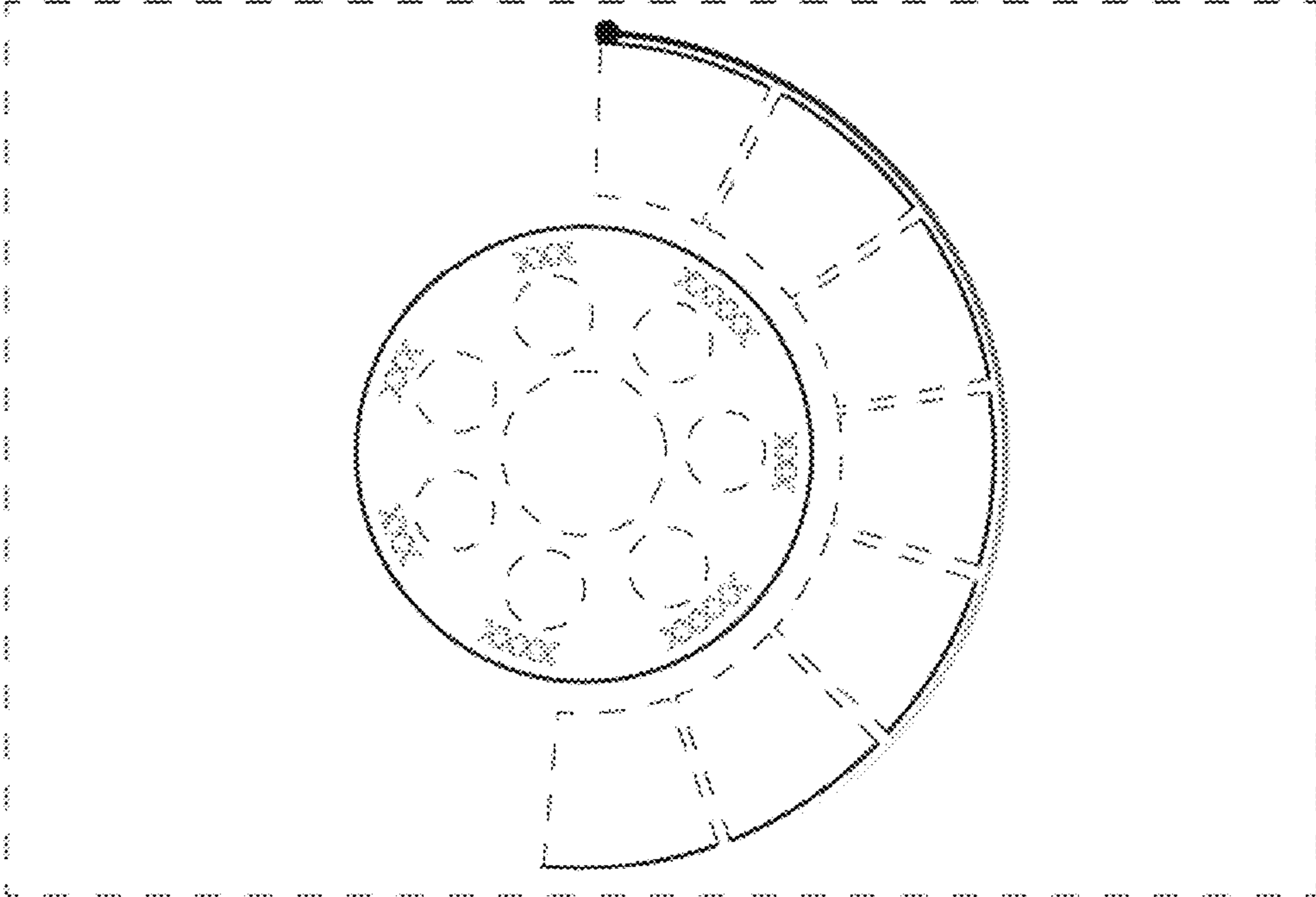


Fig. 3