



US00D781868S

(12) **United States Design Patent**
Liao

(10) **Patent No.:** **US D781,868 S**

(45) **Date of Patent:** **** Mar. 21, 2017**

(54) **USB I-FLASH STORAGE DEVICE WITH A FLEXIBLE CORD**

(71) Applicant: **Zhuowen Liao**, Shenzhen (CN)

(72) Inventor: **Zhuowen Liao**, Shenzhen (CN)

(**) Term: **15 Years**

(21) Appl. No.: **29/567,906**

(22) Filed: **Jun. 14, 2016**

(30) **Foreign Application Priority Data**

May 24, 2016 (CN) 2016 3 0197871

(51) **LOC (10) Cl.** **14-03**

(52) **U.S. Cl.**
USPC **D14/480.5**

(58) **Field of Classification Search**
USPC D14/480.1–480.7, 435.1, 411, 433, 436,
D14/484.1, 137, 155, 203.1–203.8, 240,
D14/242; D13/133, 154
CPC H05K 5/0278; G06K 19/07732
See application file for complete search history.

(56) **References Cited**

U.S. PATENT DOCUMENTS

- D556,194 S * 11/2007 Rambosek D11/2
- D558,198 S * 12/2007 Blankenship D11/2
- D571,684 S * 6/2008 Kim D11/2
- D583,815 S * 12/2008 Giovannoni D11/3
- D638,001 S * 5/2011 Nakhjiri D14/242

- D674,808 S * 1/2013 Axelrod D11/3
- 8,370,549 B2 * 2/2013 Burton A63B 24/00
703/1
- 8,456,826 B2 * 6/2013 Mao H05K 5/0278
361/679.31
- D686,217 S * 7/2013 Andre D11/2
- D727,907 S * 4/2015 Higashi D14/433
- D769,252 S * 10/2016 Zhang D14/480.1

* cited by examiner

Primary Examiner — Angela J Lee

(74) *Attorney, Agent, or Firm* — Roger H. Chu

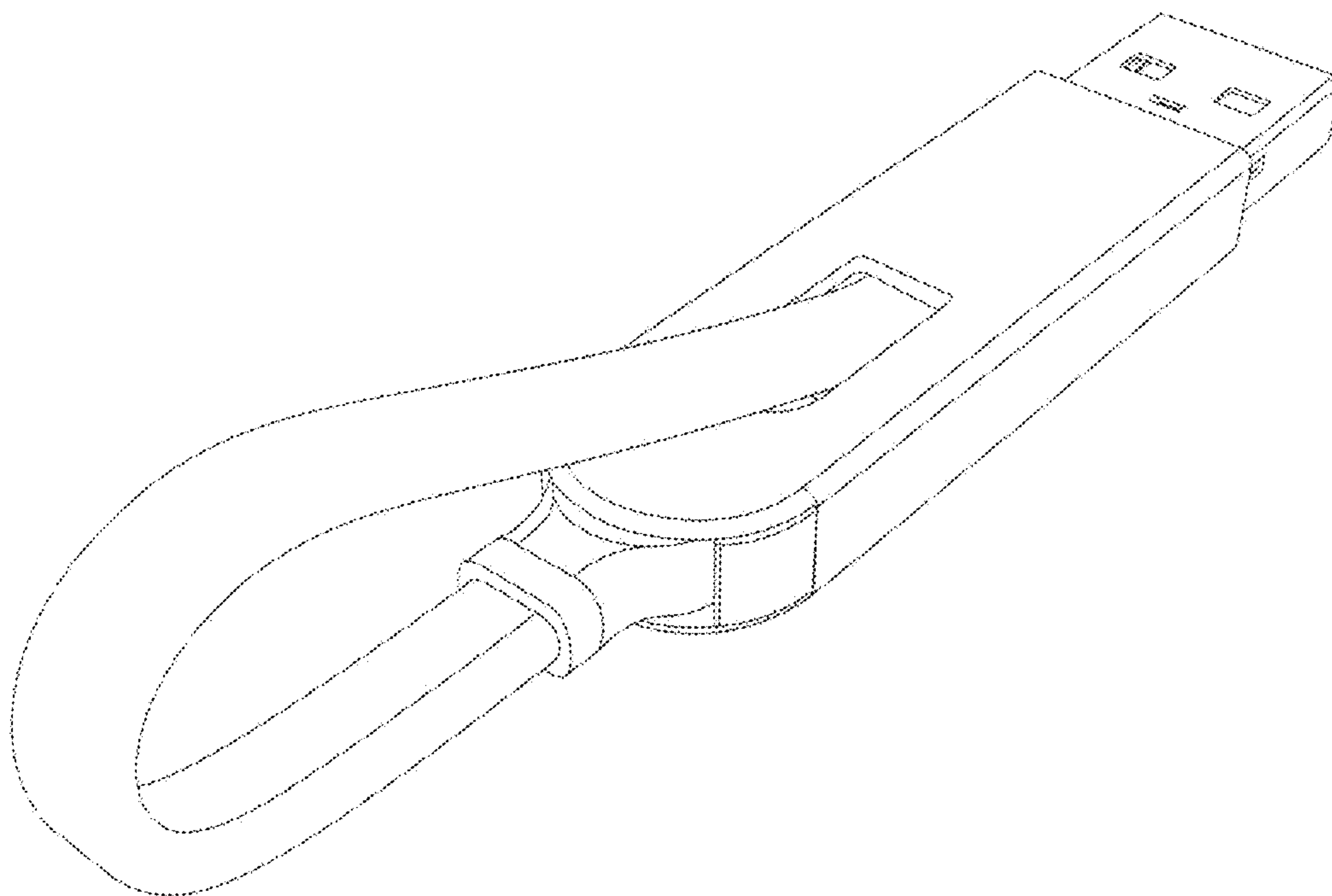
(57) **CLAIM**

The ornamental design for an USB i-flash storage device with a flexible cord, as shown and described.

DESCRIPTION

FIG. 1 is a perspective view of a USB i-flash storage device with a flexible cord in a first configuration showing my design;
 FIG. 2 is a top view thereof;
 FIG. 3 is a bottom view thereof;
 FIG. 4 is a right side view thereof;
 FIG. 5 is a left side view thereof;
 FIG. 6 is a front view thereof;
 FIG. 7 is a rear view thereof;
 FIG. 8 is a perspective view with the flexible cord in a second configuration; and,
 FIG. 9 is a perspective view with the flexible cord in a third configuration.

1 Claim, 8 Drawing Sheets



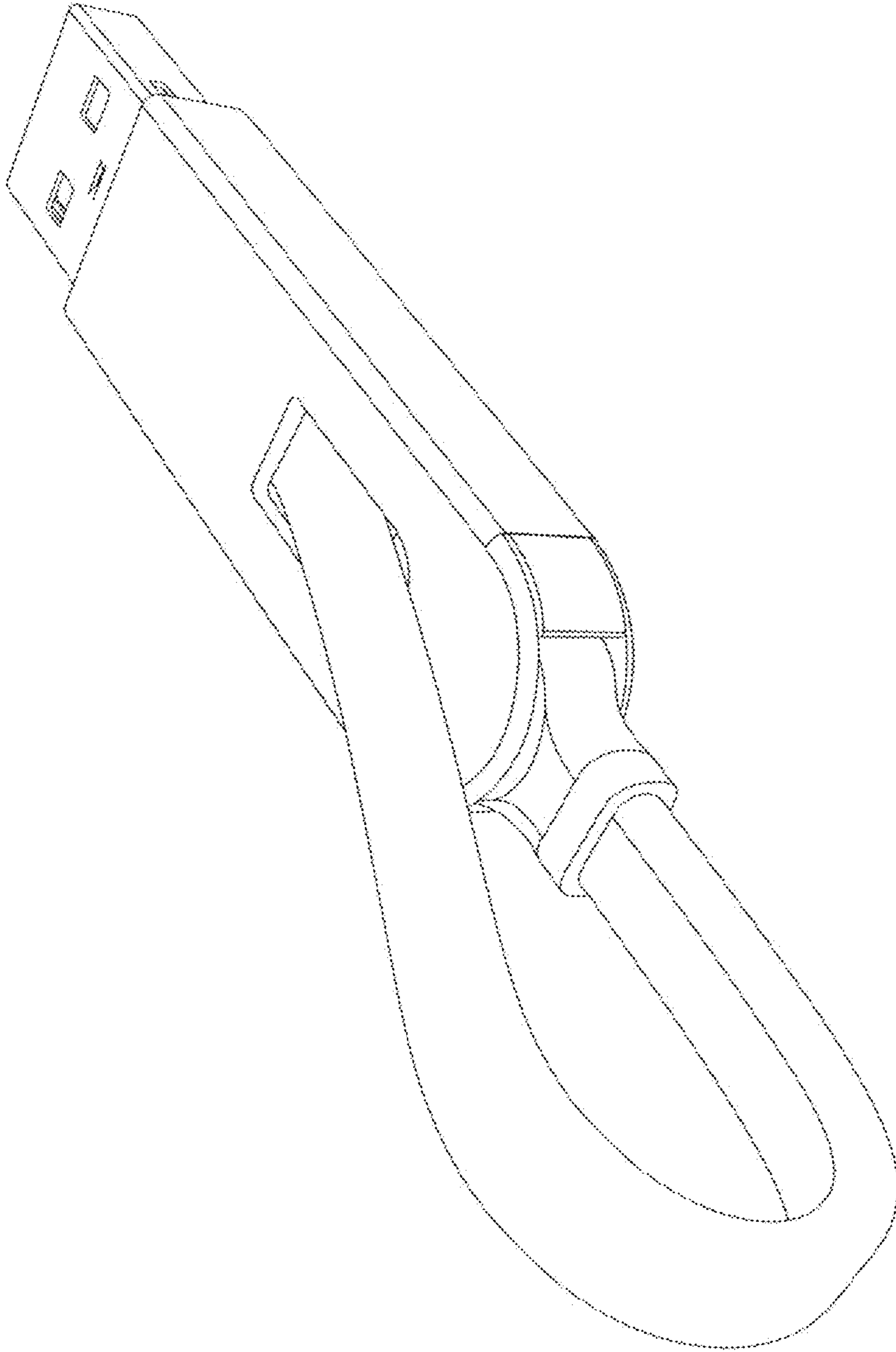


FIG. 1

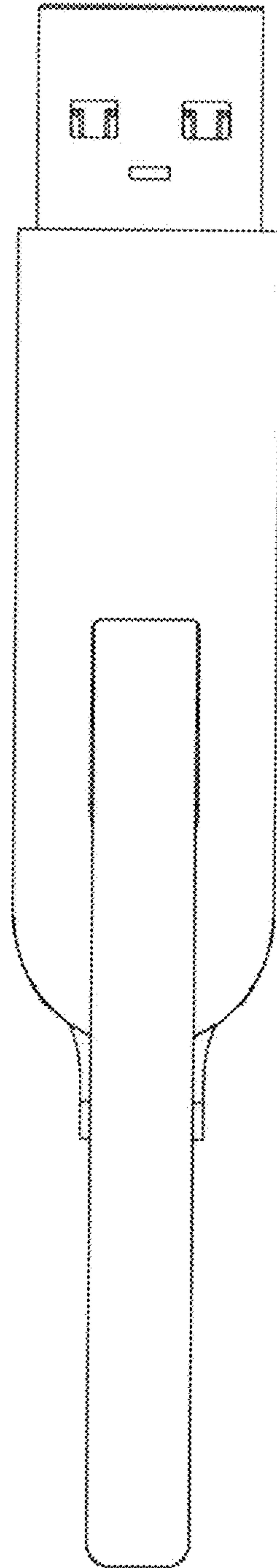


FIG. 2

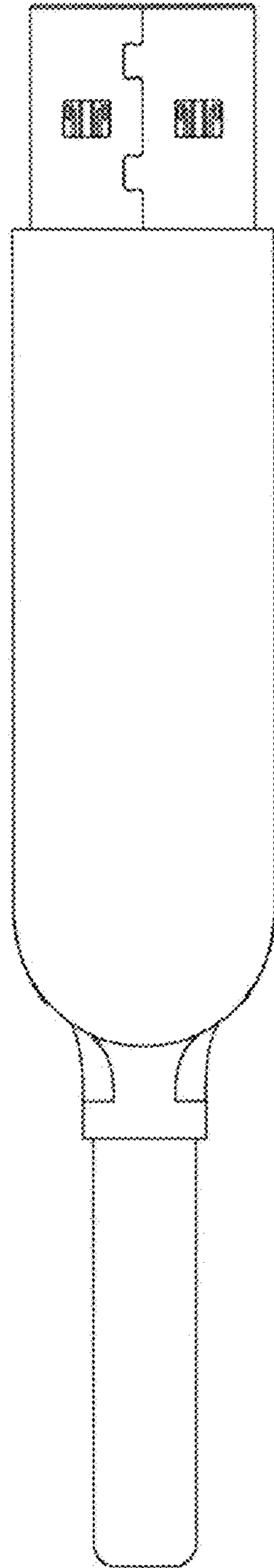


FIG. 3

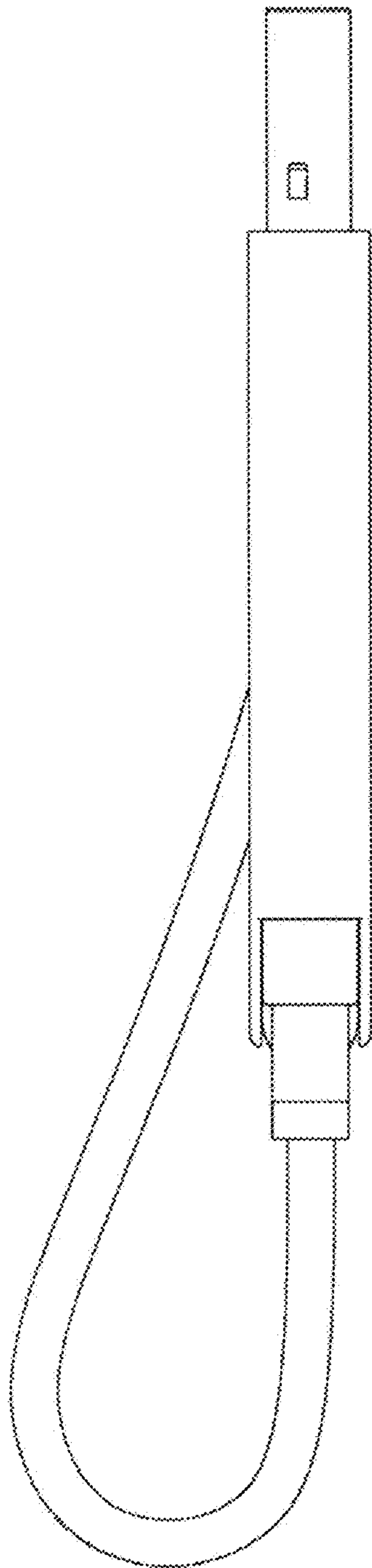


FIG. 4

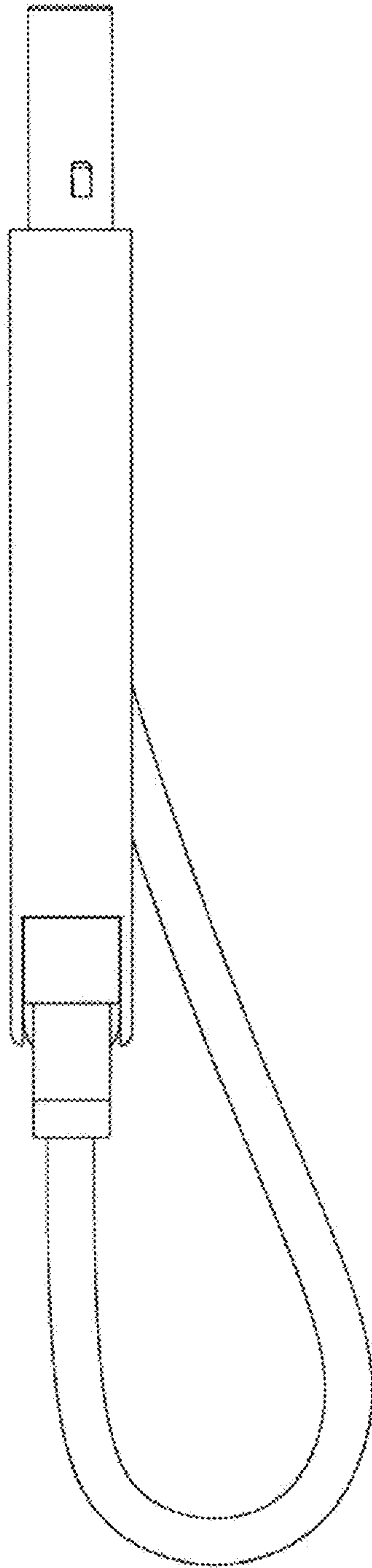


FIG. 5

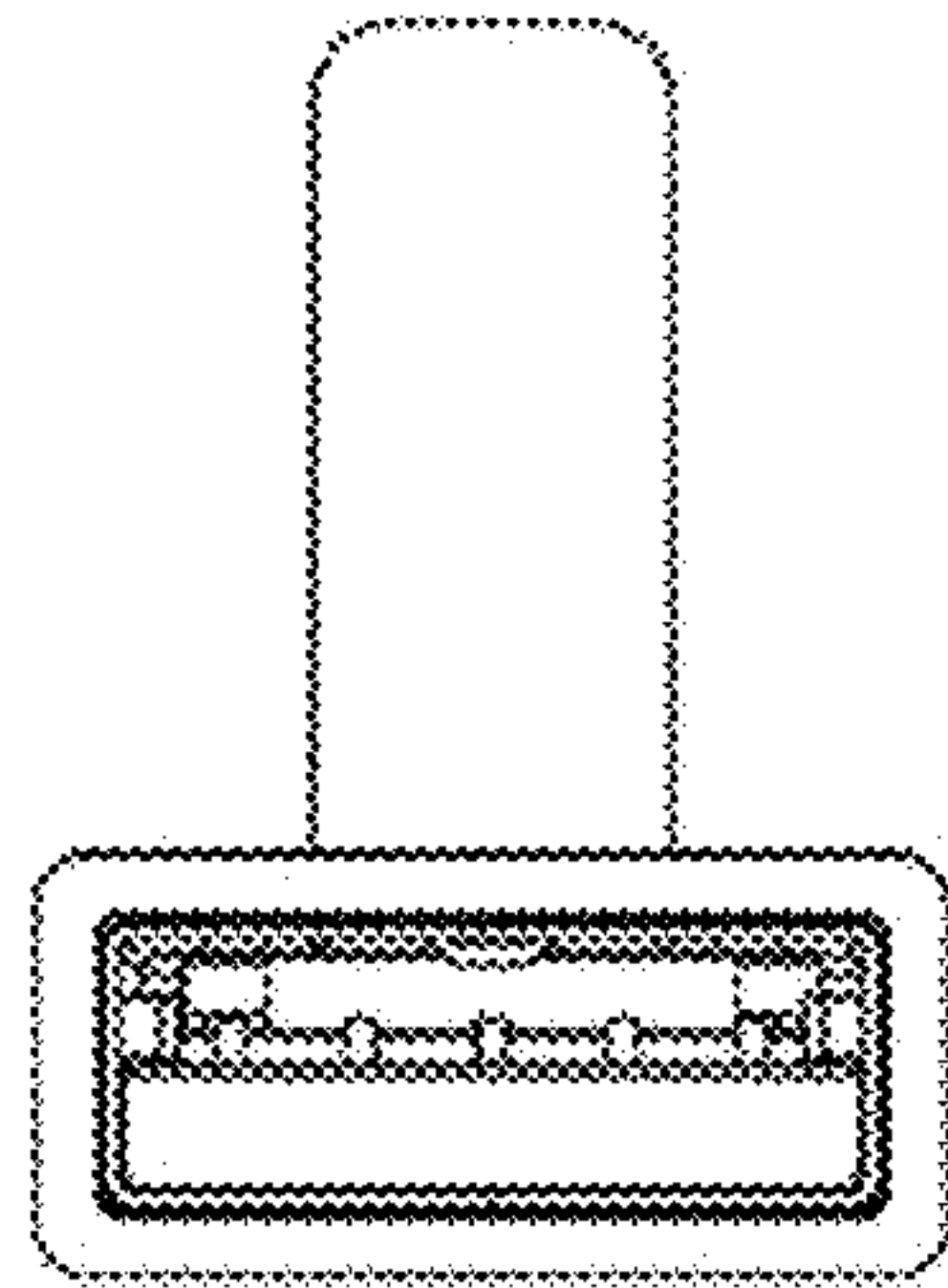


FIG. 6

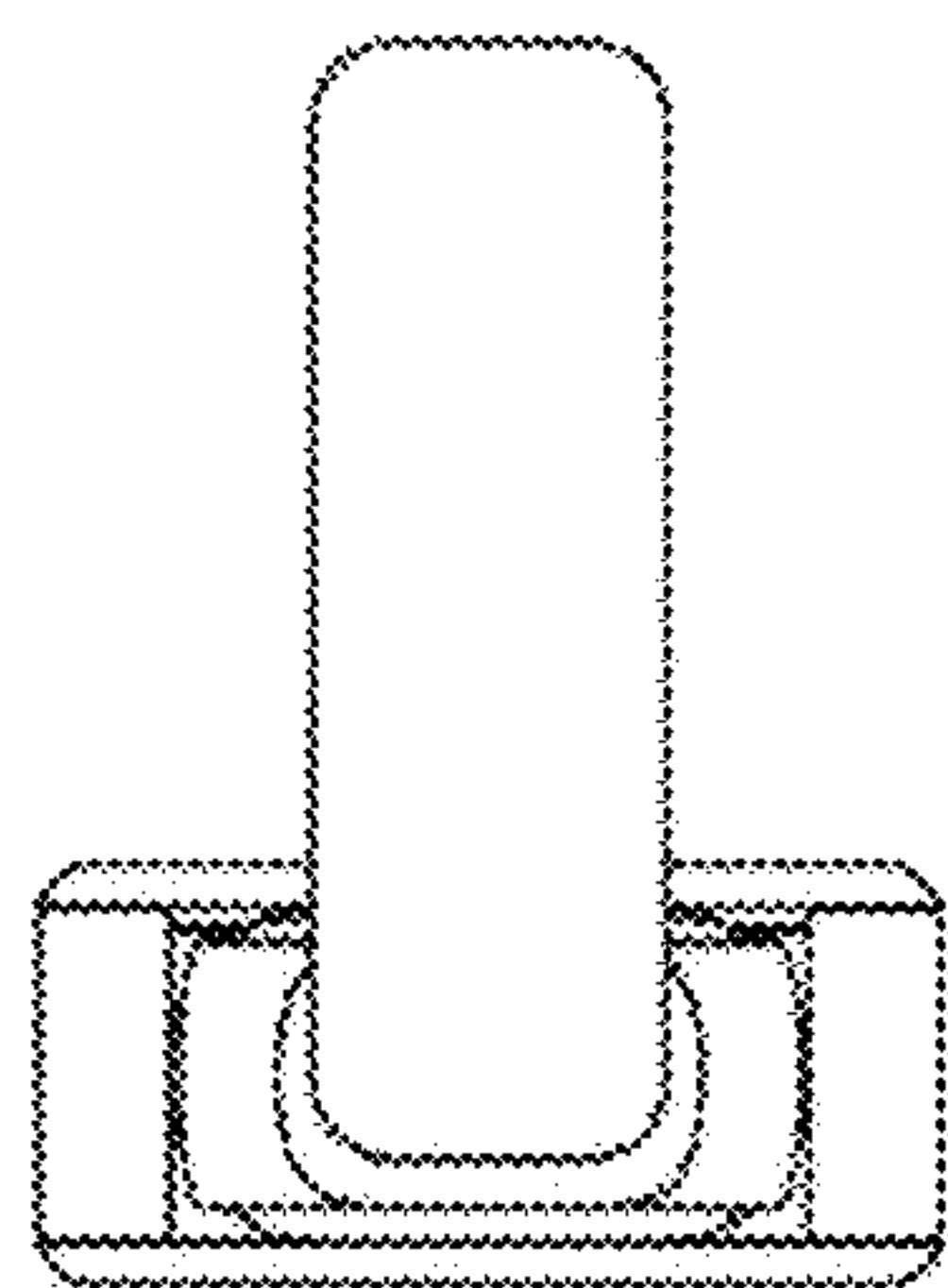


FIG. 7

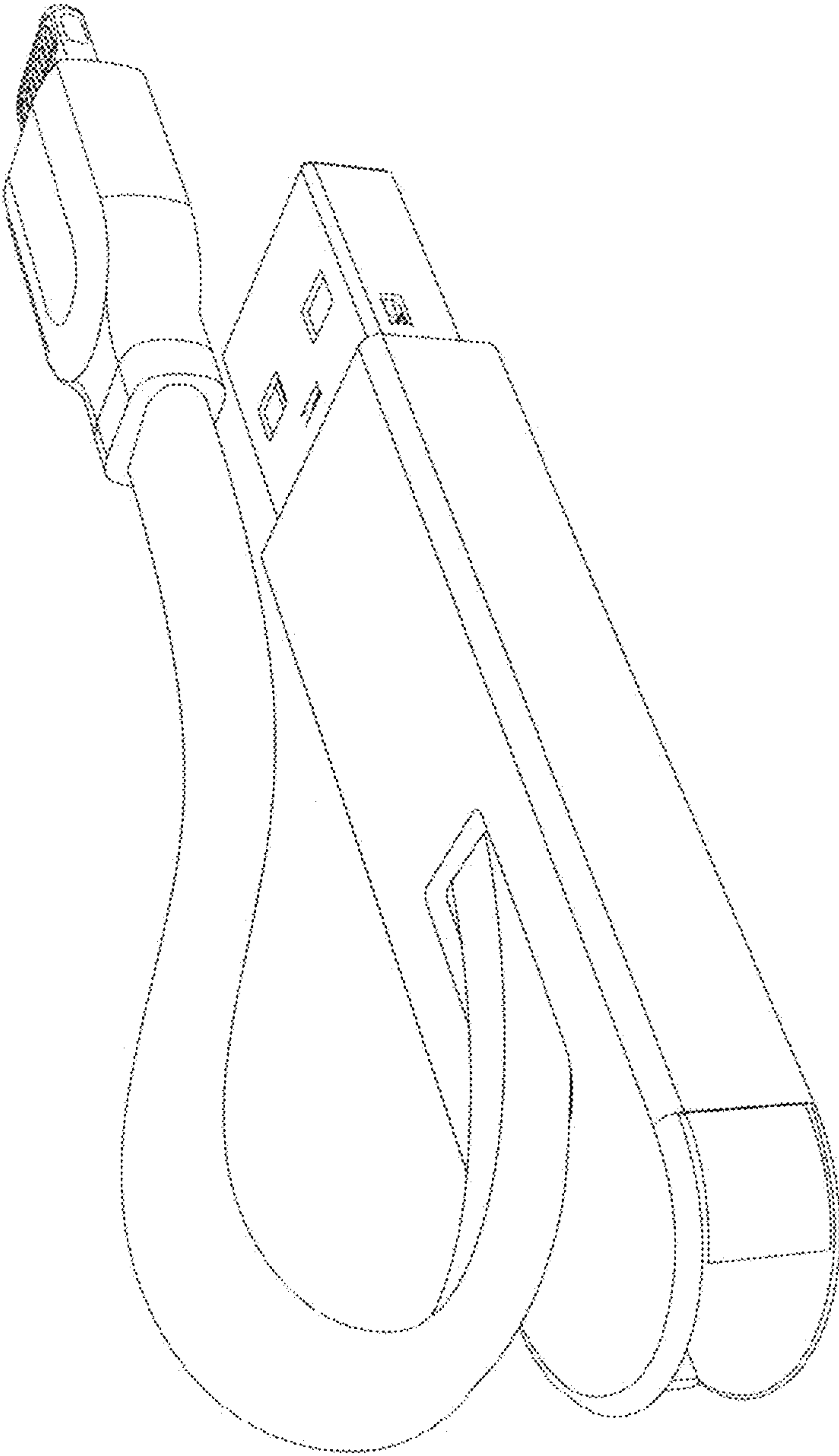


FIG. 8

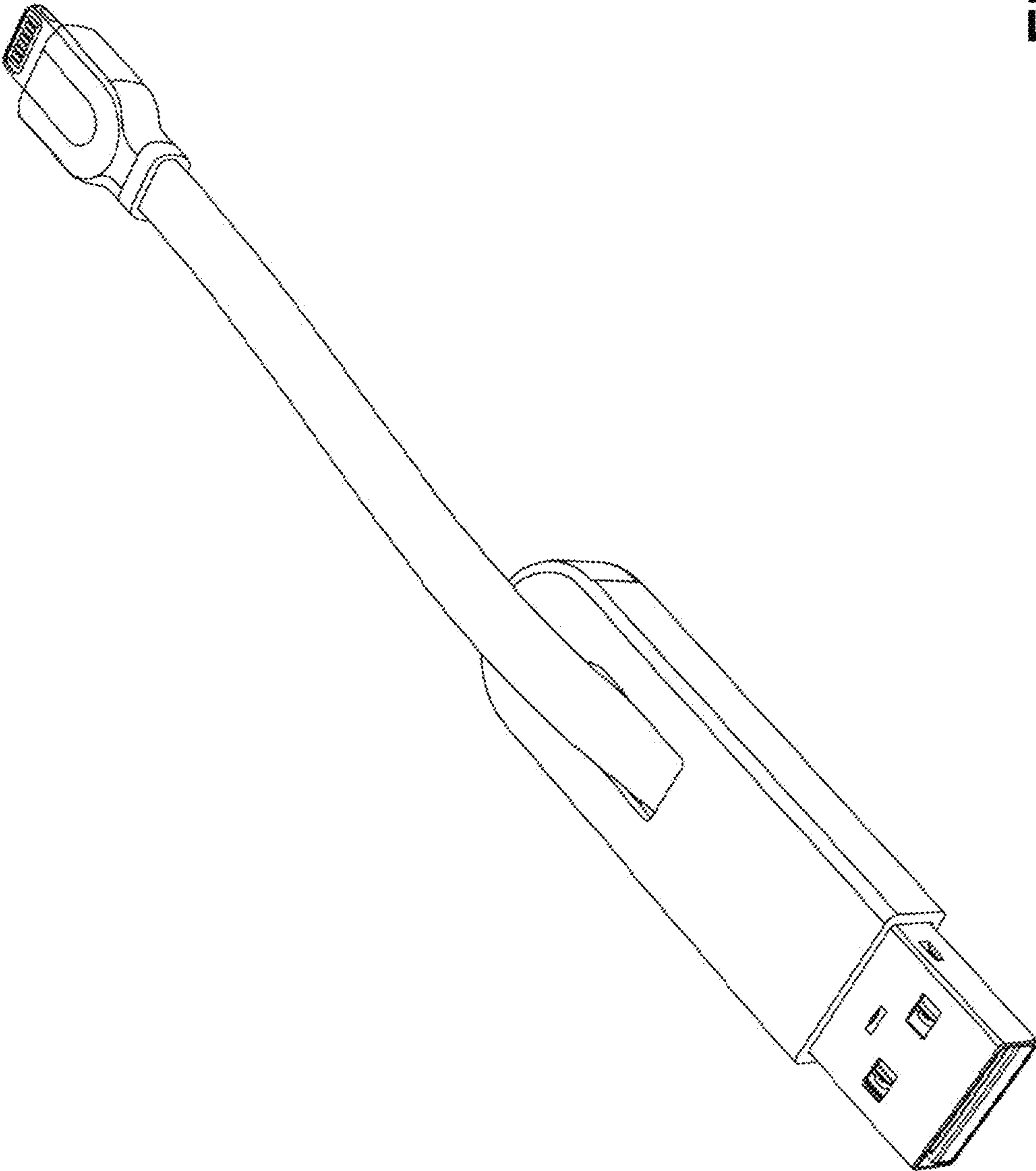


FIG. 9