



US00D781867S

(12) **United States Design Patent** (10) **Patent No.:** **US D781,867 S**
Aulert (45) **Date of Patent:** **** Mar. 21, 2017**

(54) **DONGLE**

(71) Applicant: **RF IDEas, Inc.**, Rolling Meadows, IL (US)

(72) Inventor: **Michael C. Aulert**, Cary, IL (US)

(73) Assignee: **RF IDEas, Inc.**, Rolling Meadows, IL (US)

(**) Term: **15 Years**

(21) Appl. No.: **29/554,588**

(22) Filed: **Feb. 12, 2016**

(51) **LOC (10) Cl.** **14-03**

(52) **U.S. Cl.**
USPC **D14/480.1**

(58) **Field of Classification Search**
USPC D14/480.1–480.7, 435.1, 411, 433, 436,
D14/484.1, 137, 155, 203.1–203.8, 240,
D14/242; D13/133, 154
CPC H05K 5/0278; G06K 19/07732
See application file for complete search history.

(56) **References Cited**

U.S. PATENT DOCUMENTS

D444,788 S *	7/2001	Do	H05K 5/0278 D14/480.6
D454,130 S *	3/2002	Do	D14/435.1
6,544,075 B1 *	4/2003	Liao	H01R 35/04 439/11
D532,776 S *	11/2006	Griffin	D14/435.1
D535,993 S *	1/2007	Ueda	D14/480.7
D566,114 S *	4/2008	Chu	D14/480.6
D597,077 S *	7/2009	Brandenburg	D14/217
D668,258 S *	10/2012	Lee	D14/480.1
D672,351 S *	12/2012	Camacho	D14/435.1
D707,688 S *	6/2014	Wu	D14/480.1
D759,030 S *	6/2016	Kim	D14/480.1
D765,082 S *	8/2016	Allen, Sr.	D14/433
D772,879 S *	11/2016	Eliyahu	D14/433

OTHER PUBLICATIONS

No Author Listed, Flexible and Universal Swivel Twist Angle 360 Degree Rotating USB2.0 Male to Female Connector Adapter/ Extension Converter(Black), Amazon. http://www.amazon.com/gp/product/B01488I4N4/ref=pd_lpo_sbs_dp_ss_2?pf_rd_p=1944687702&pf_rd_s=lpo-top-stripe-1&pf_rd_t=201&pf_rd_i=B00RX56GNU&pf_rd_m=ATVPDKIKX0DER&pf_rd_r=07P8JEF7TKBPKBHDWTHG [last accessed Apr. 19, 2016].
No Author Listed, IR remote control for PC and sockets . Part 1. <https://geektimes.ru/post/257508/> [last accessed Apr. 19, 2016].
No Author Listed, Wireless Mouse M305. http://support.logitech.com/en_us/product/wireless-mouse-m305 [last accessed Apr. 19, 2016].
Chin, Cables Unlimited Wireless USB Adapter Kit Review, Everything USB. <http://www.everythingusb.com/cables-unlimited-wireless-usb-adapter-kit-15823.html> Dec. 2008. [last accessed Apr. 19, 2016].

* cited by examiner

Primary Examiner — Angela J Lee
(74) *Attorney, Agent, or Firm* — Wolf, Greenfield & Sacks, P.C.

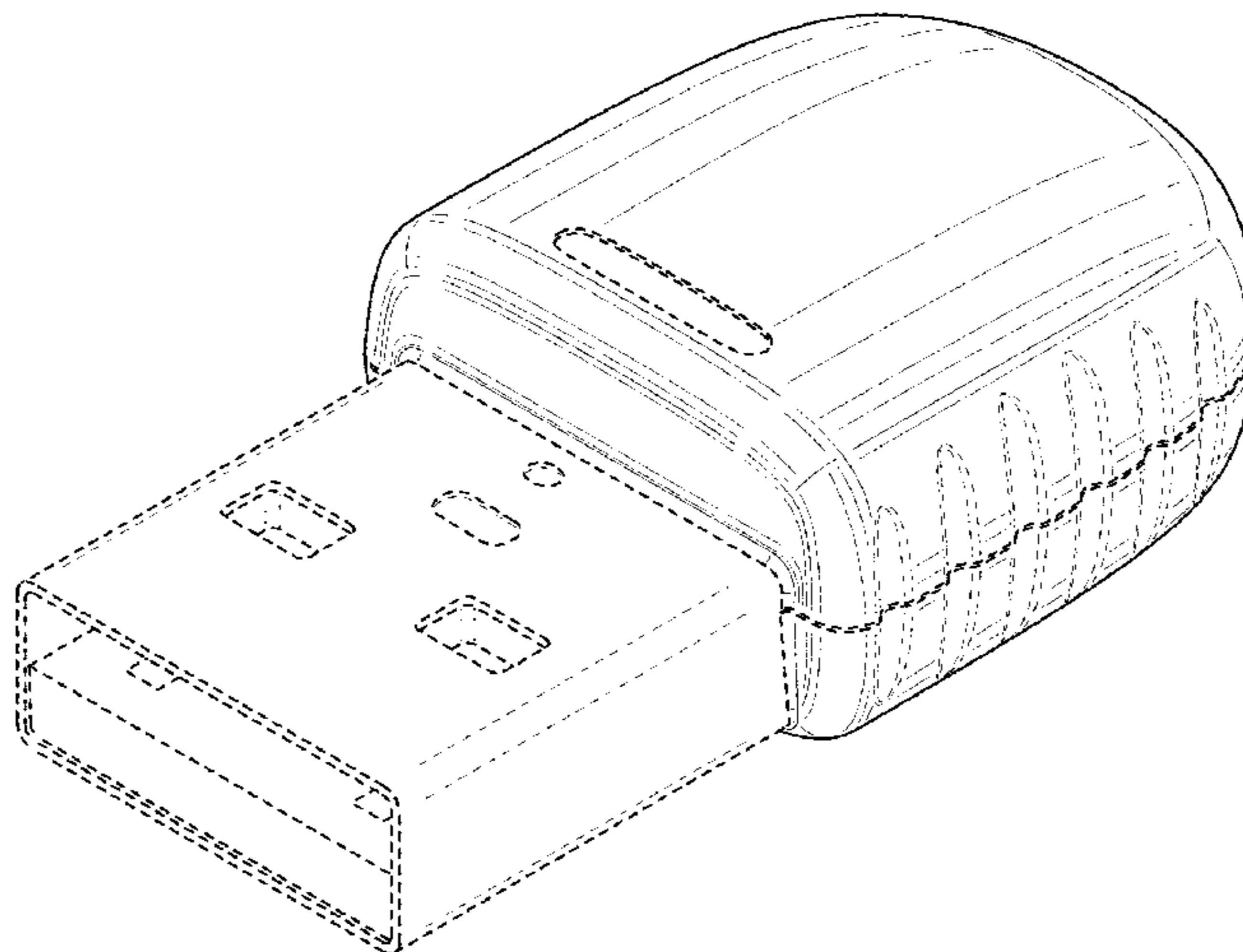
(57) **CLAIM**

The ornamental design for a dongle, as shown and described.

DESCRIPTION

FIG. 1 is a top, front perspective view of a first embodiment of a dongle;
FIG. 2 is a front view thereof;
FIG. 3 is a rear view thereof;
FIG. 4 is a left side view thereof;
FIG. 5 is a right side view thereof;
FIG. 6 is a top view thereof; and,
FIG. 7 is a bottom view thereof.
The dashed lines shown illustrate portions of the dongle that form no part of the claimed design.

1 Claim, 7 Drawing Sheets



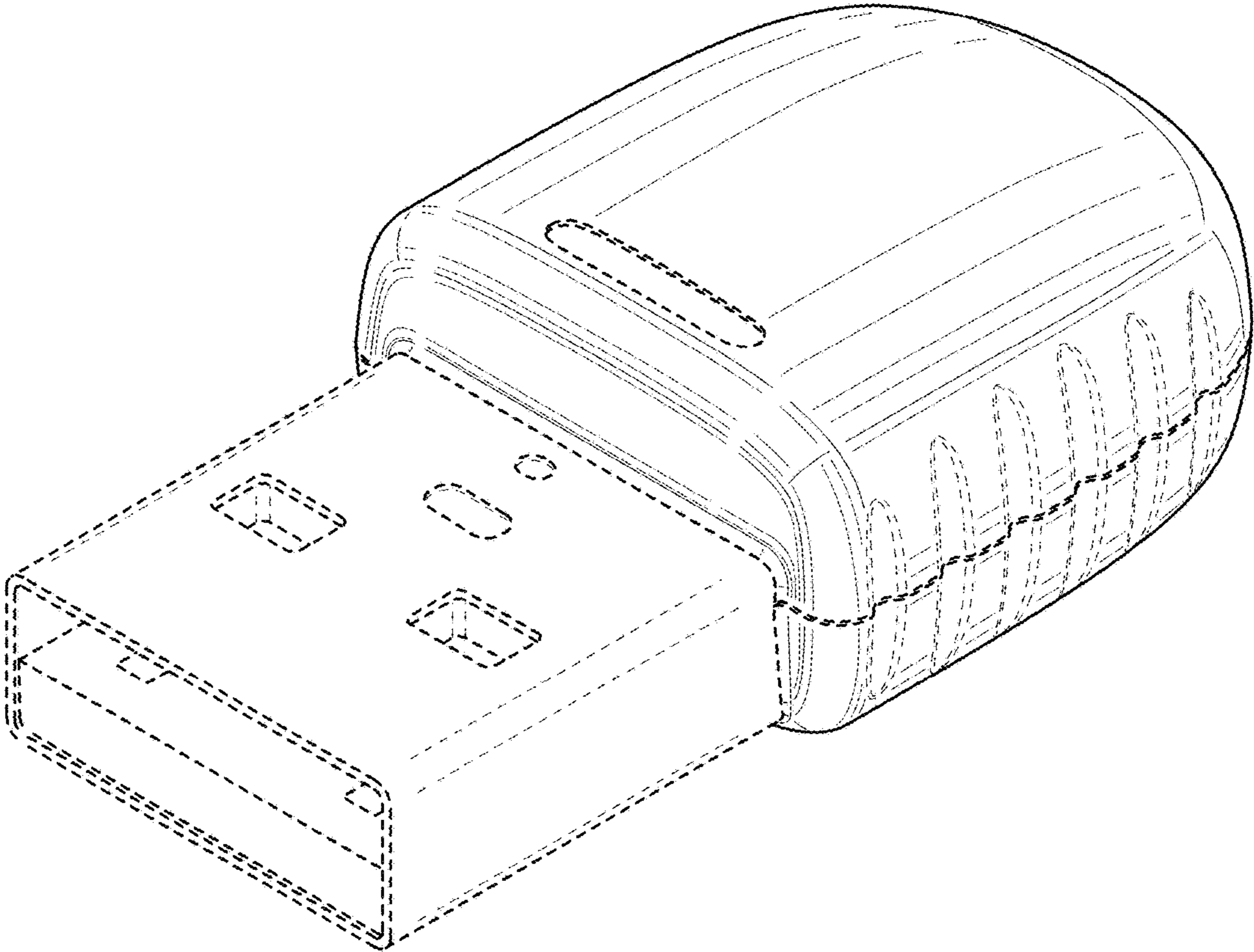


FIG. 1

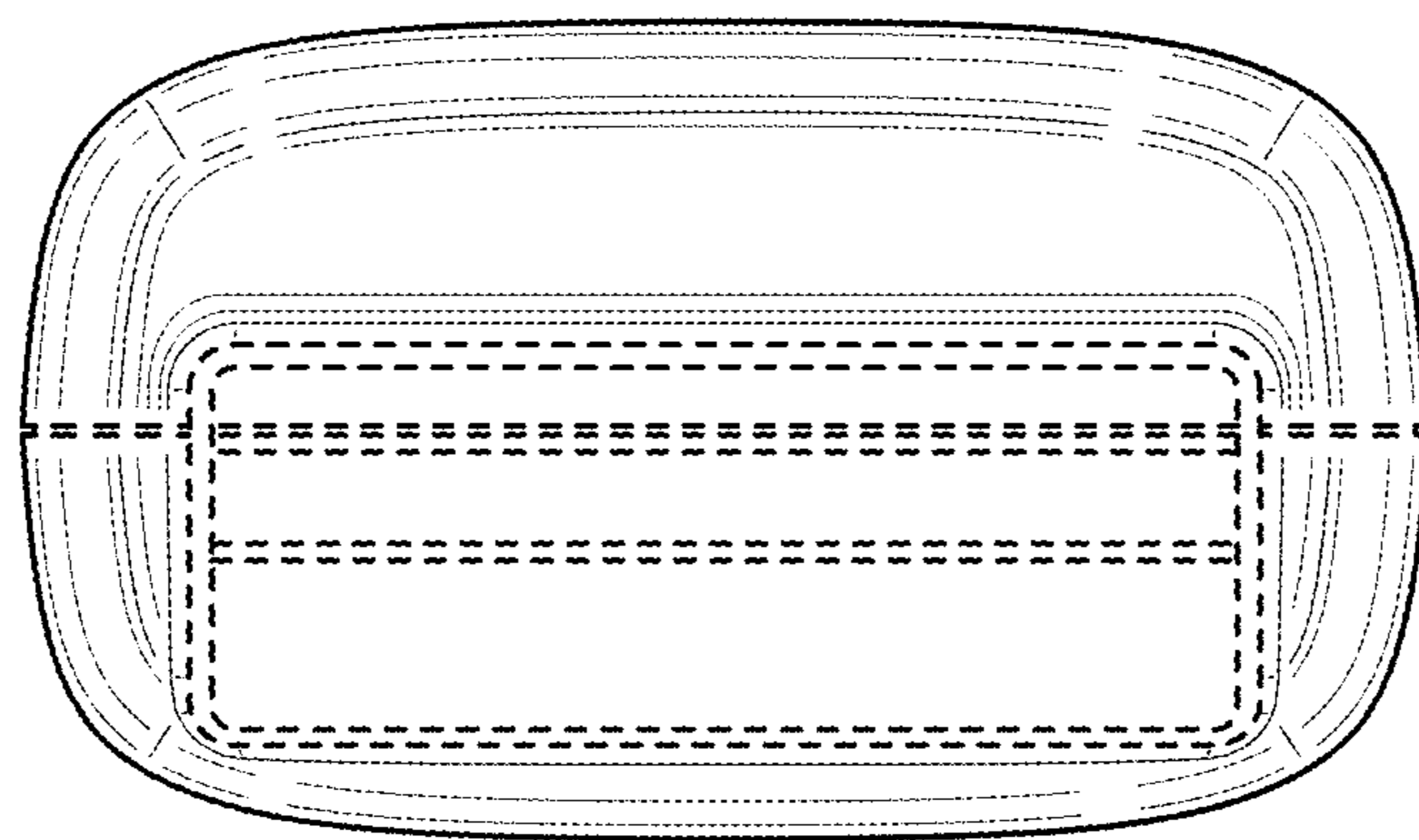


FIG. 2

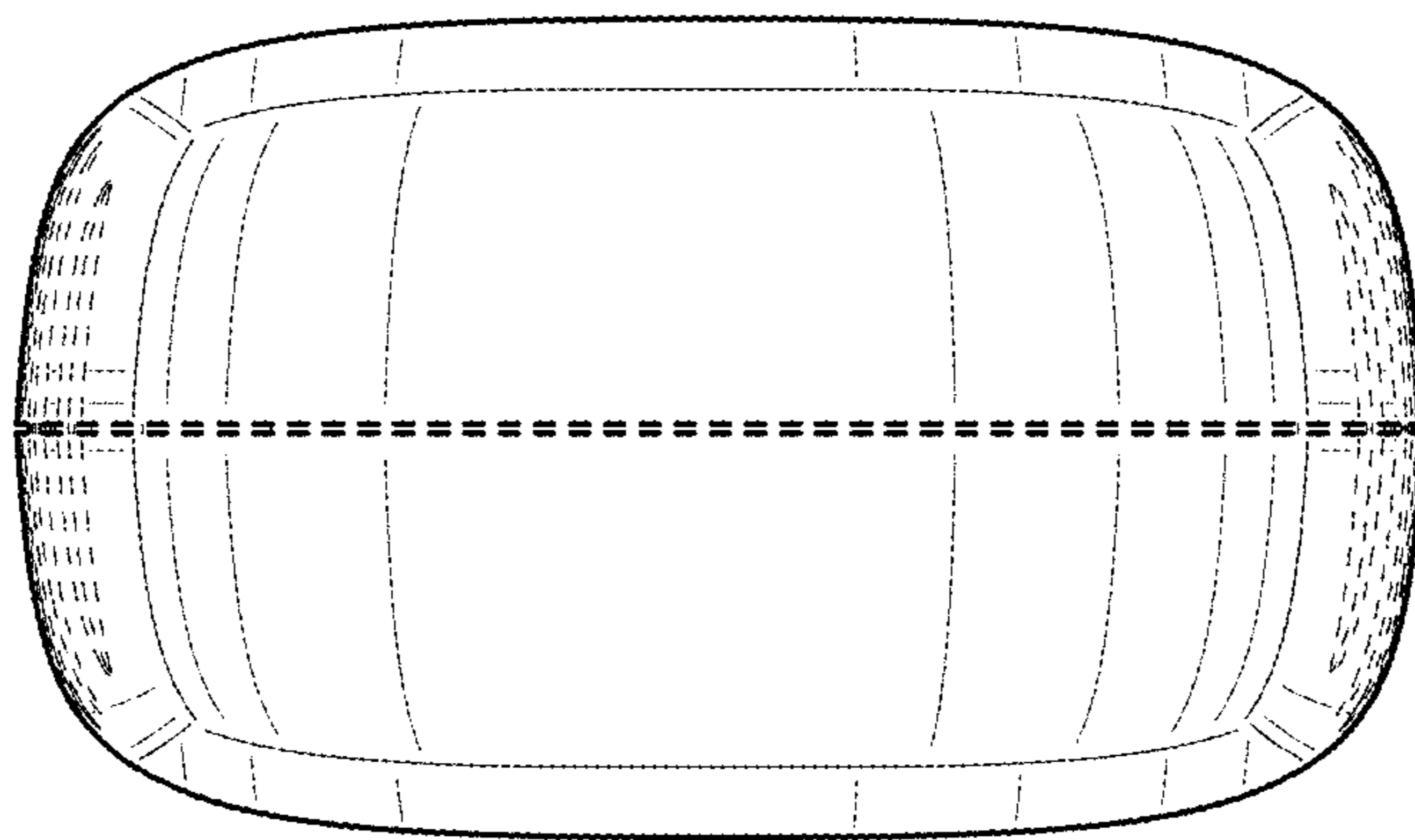


FIG. 3

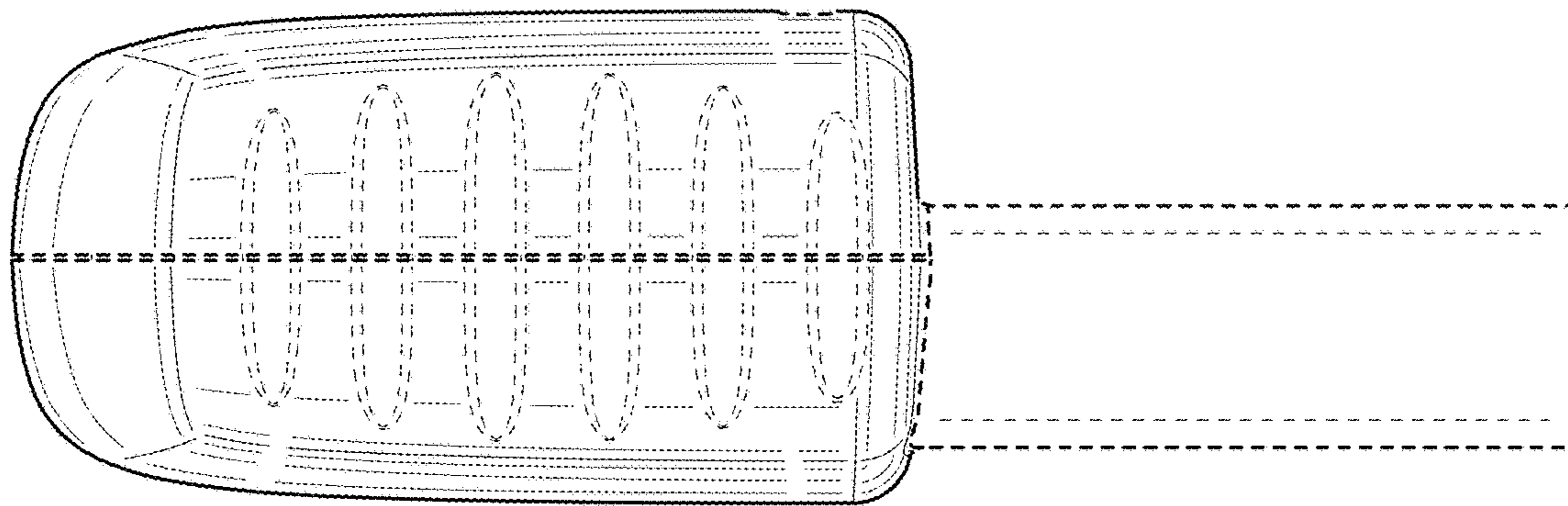


FIG. 4

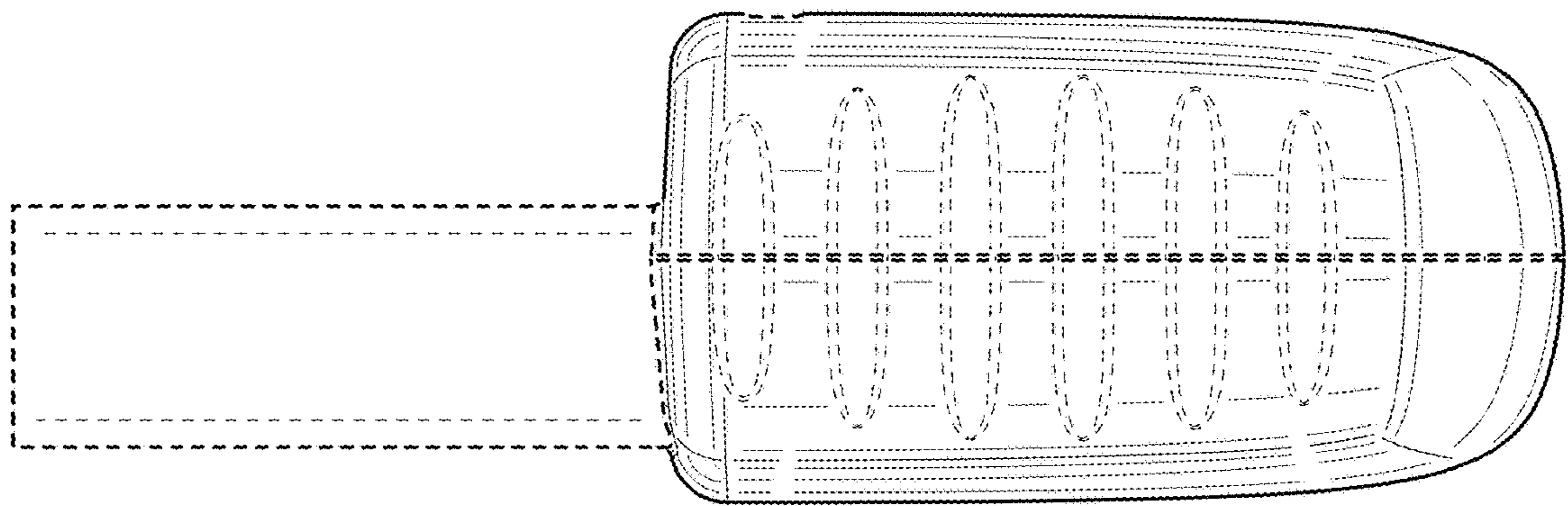


FIG. 5

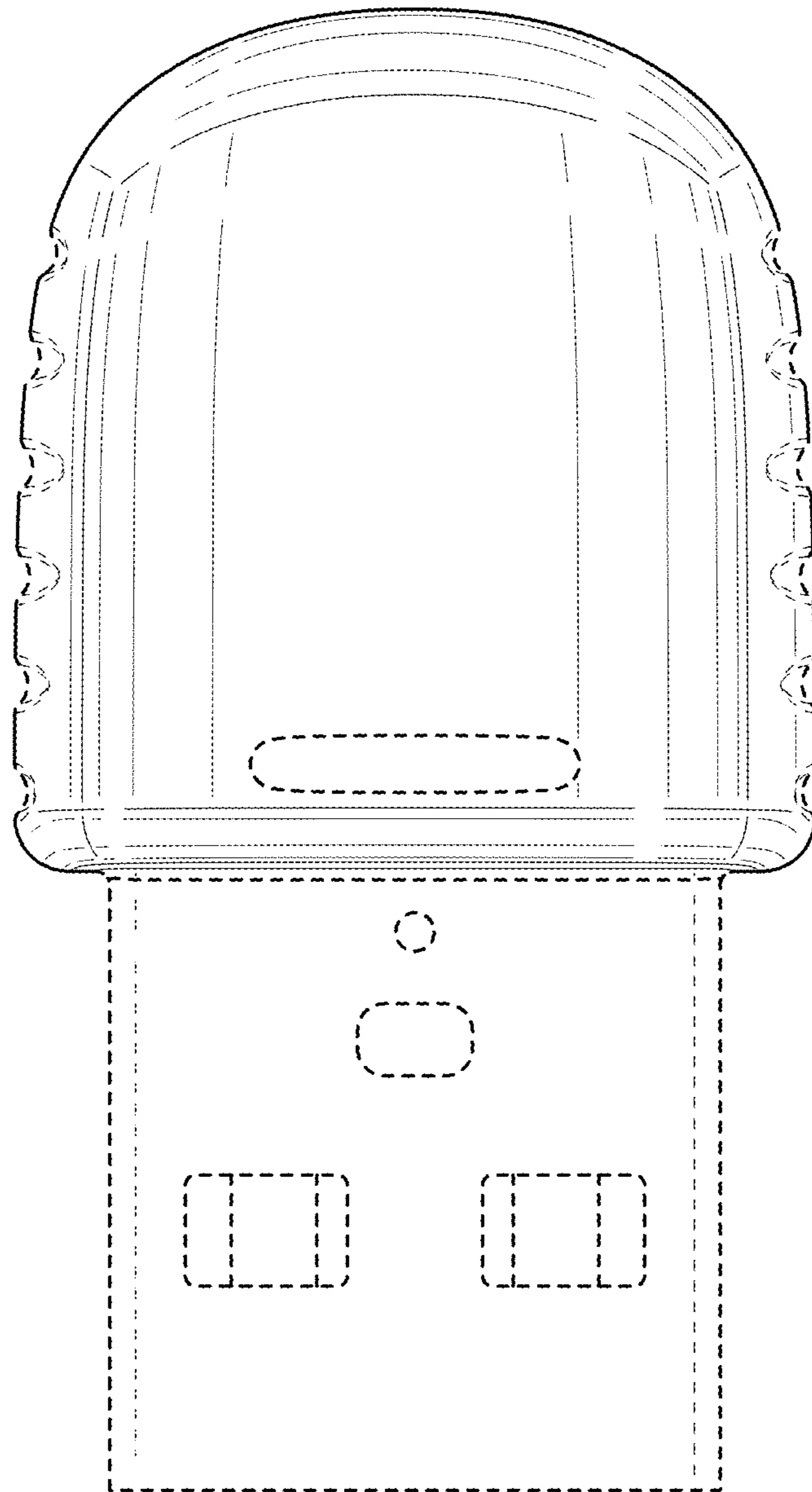


FIG. 6

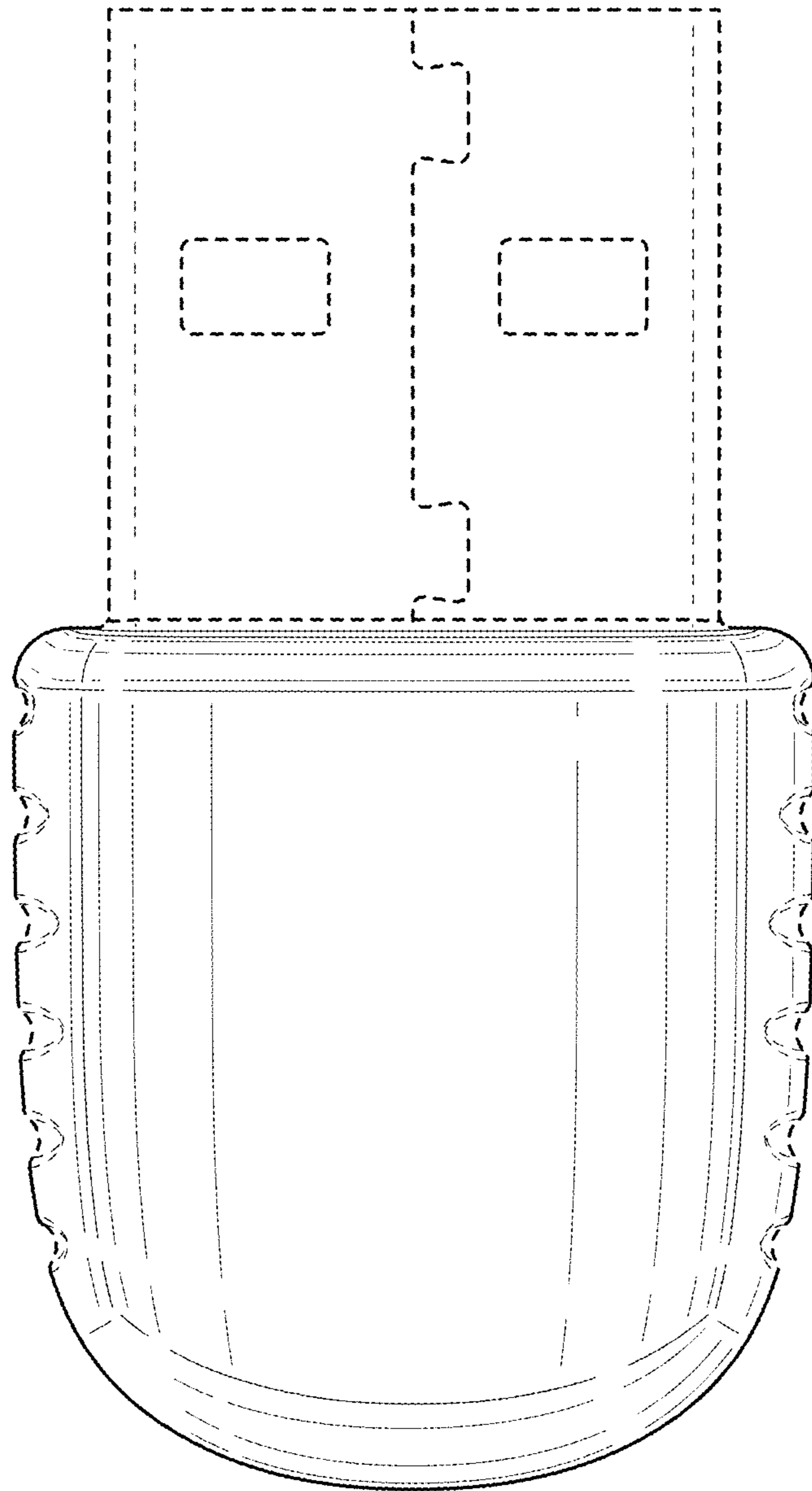


FIG. 7