



US00D781866S

(12) **United States Design Patent** (10) **Patent No.:** **US D781,866 S**
Aulert (45) **Date of Patent:** **** Mar. 21, 2017**

(54) **DONGLE**

D759,030 S * 6/2016 Kim D14/480.1
D765,082 S * 8/2016 Allen, Sr. D14/433
D772,879 S * 11/2016 Eliyahu D14/433

(71) Applicant: **RF IDEas, Inc.**, Rolling Meadows, IL
(US)

(72) Inventor: **Michael C. Aulert**, Cary, IL (US)

(73) Assignee: **RF IDEas, Inc.**, Rolling Meadows, IL
(US)

(**) Term: **15 Years**

(21) Appl. No.: **29/554,586**

(22) Filed: **Feb. 12, 2016**

(51) **LOC (10) Cl.** **14-03**

(52) **U.S. Cl.**
USPC **D14/480.1**

(58) **Field of Classification Search**
USPC D14/480.1–480.7, 435.1, 411, 433, 436,
D14/484.1, 137, 155, 203.1–203.8, 240,
D14/242; D13/133, 154
CPC H05K 5/0278; G06K 19/07732
See application file for complete search history.

(56) **References Cited**

U.S. PATENT DOCUMENTS

D444,788 S * 7/2001 Do H05K 5/0278
D14/480.6
D454,130 S * 3/2002 Do D14/435.1
6,544,075 B1 * 4/2003 Liao H01R 35/04
439/11
D532,776 S * 11/2006 Griffin D14/435.1
D535,993 S * 1/2007 Ueda D14/480.7
D566,114 S * 4/2008 Chu D14/480.6
D597,077 S * 7/2009 Brandenburg D14/217
D668,258 S * 10/2012 Lee D14/480.1
D672,351 S * 12/2012 Camacho D14/435.1
D707,688 S * 6/2014 Wu D14/480.1

OTHER PUBLICATIONS

No Author Listed, Flexible and Universal Swivel Twist Angle 360 Degree Rotating USB2.0 Male to Female Connector Adapter/ Extension Converter(BLACK), Amazon. http://www.amazon.com/gp/product/B01488I4N4/ref=pd_lpo_sbs_dp_ss_2?pf_rd_p=1944687702&pf_rd_s=lpo-top-stripe-1&pf_rd_t=20_1&pf_rd_i=B00RX56GNU&pf_rd_m=ATVPDKIKX0DER&pf_rd_r=07P8JEF7TKBPKBJDWITHG [last accessed Apr. 19, 2016].
No Author Listed, IR remote control for PC and sockets . Part 1. <https://geektimes.ru/post/257508/> [last accessed Apr. 19, 2016].
No Author Listed, Wireless Mouse M305. http://support.logitech.com/en_us/product/wireless-mouse-m305 [last accessed Apr. 19, 2016].

(Continued)

Primary Examiner — Angela J Lee
(74) *Attorney, Agent, or Firm* — Wolf, Greenfield & Sacks, P.C.

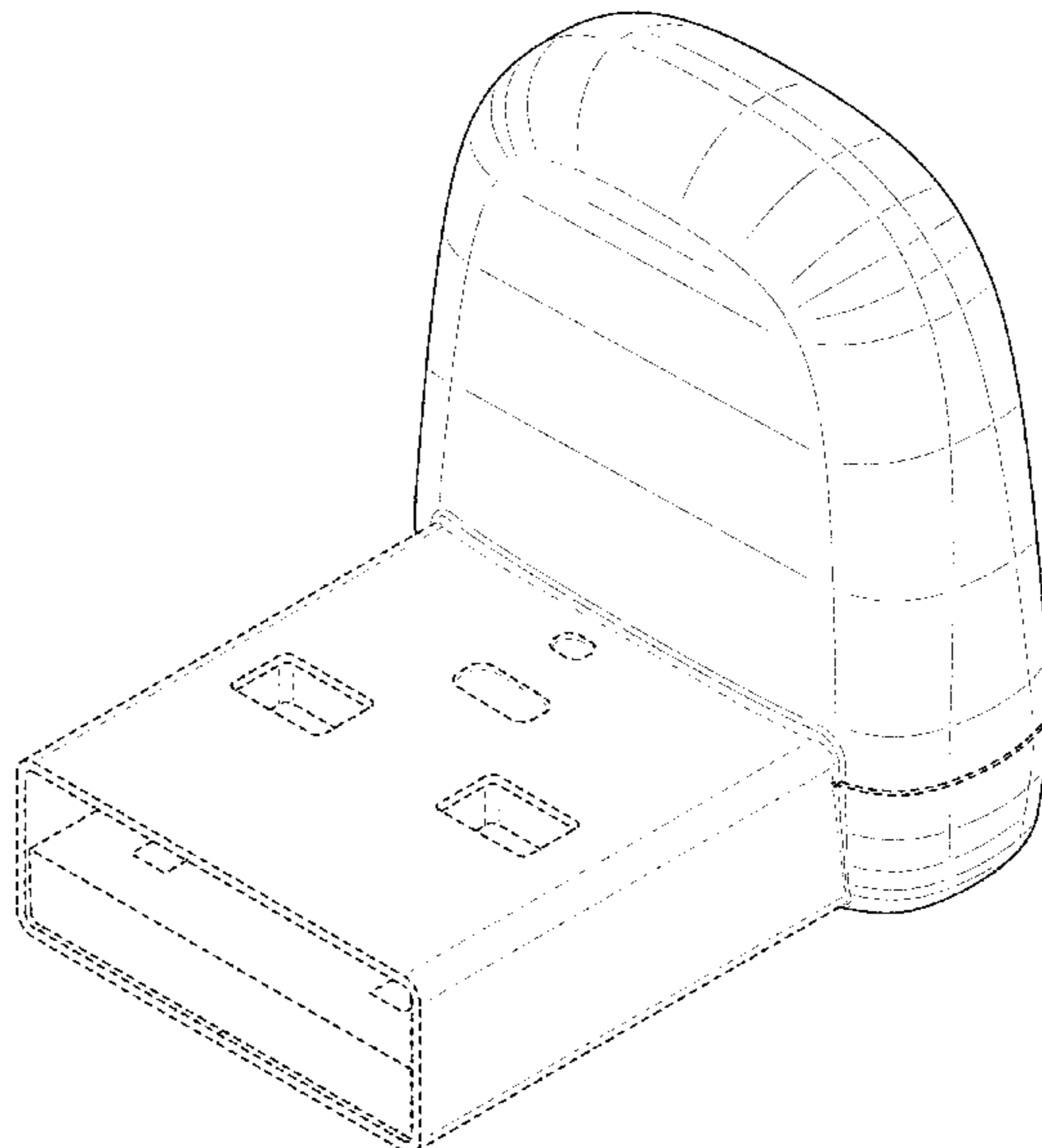
(57) **CLAIM**

The ornamental design for a dongle, as shown and described.

DESCRIPTION

FIG. 1 is a top perspective view of a first embodiment of a dongle;
FIG. 2 is a front view thereof;
FIG. 3 is a rear view thereof;
FIG. 4 is a left view thereof;
FIG. 5 is a right view thereof;
FIG. 6 is a top view thereof; and,
FIG. 7 is a bottom view thereof.
The dashed lines shown illustrate portions of the dongle that form no part of the claimed design.

1 Claim, 7 Drawing Sheets



(56)

References Cited

OTHER PUBLICATIONS

Chin, Cables Unlimited Wireless USB Adapter Kit Review, Everything USB. <http://www.everythingusb.com/cables-unlimited-wireless-usb-adapter-kit-15823.html> Dec. 2008. [last accessed Apr. 19, 2016].

* cited by examiner

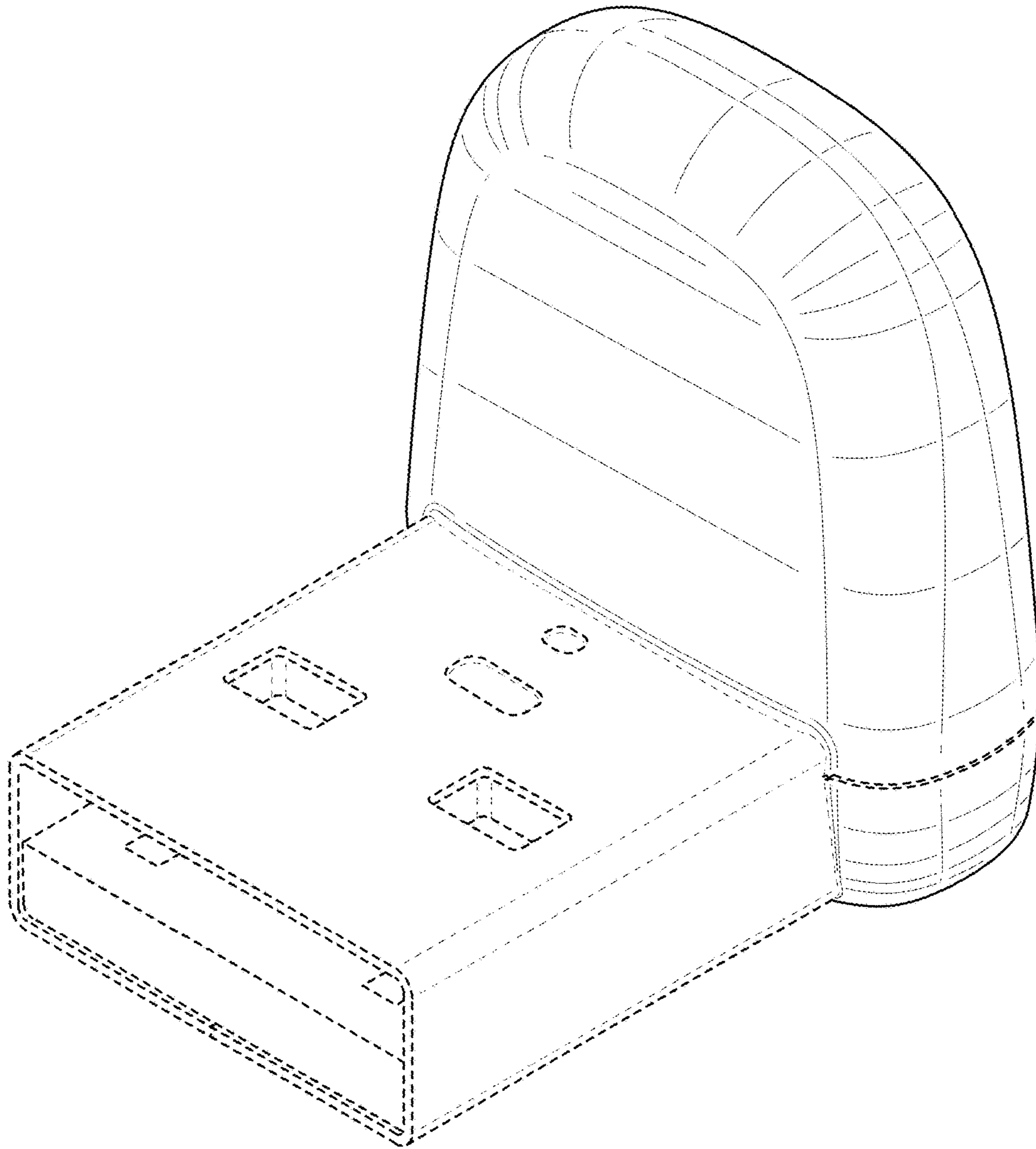


FIG. 1

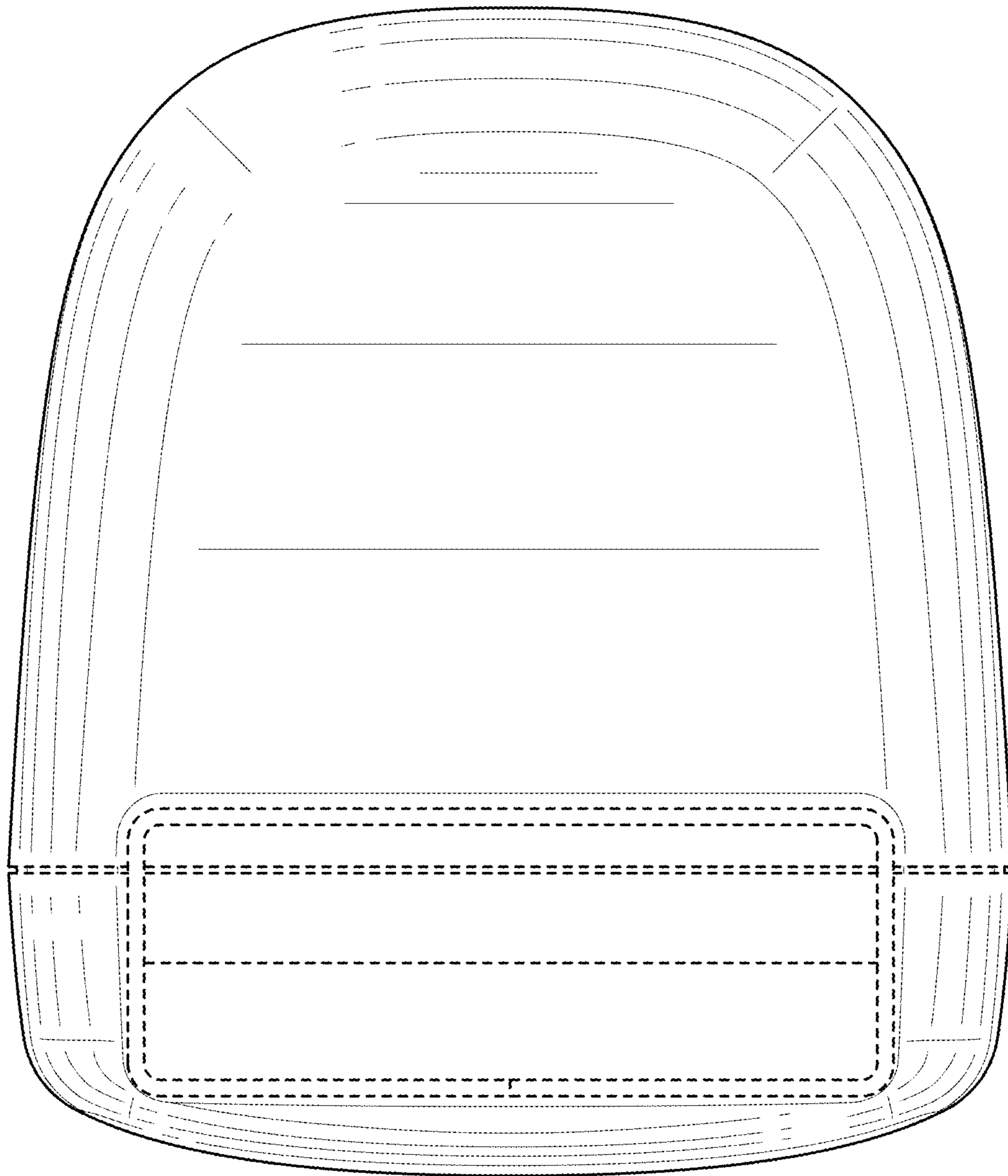


FIG. 2

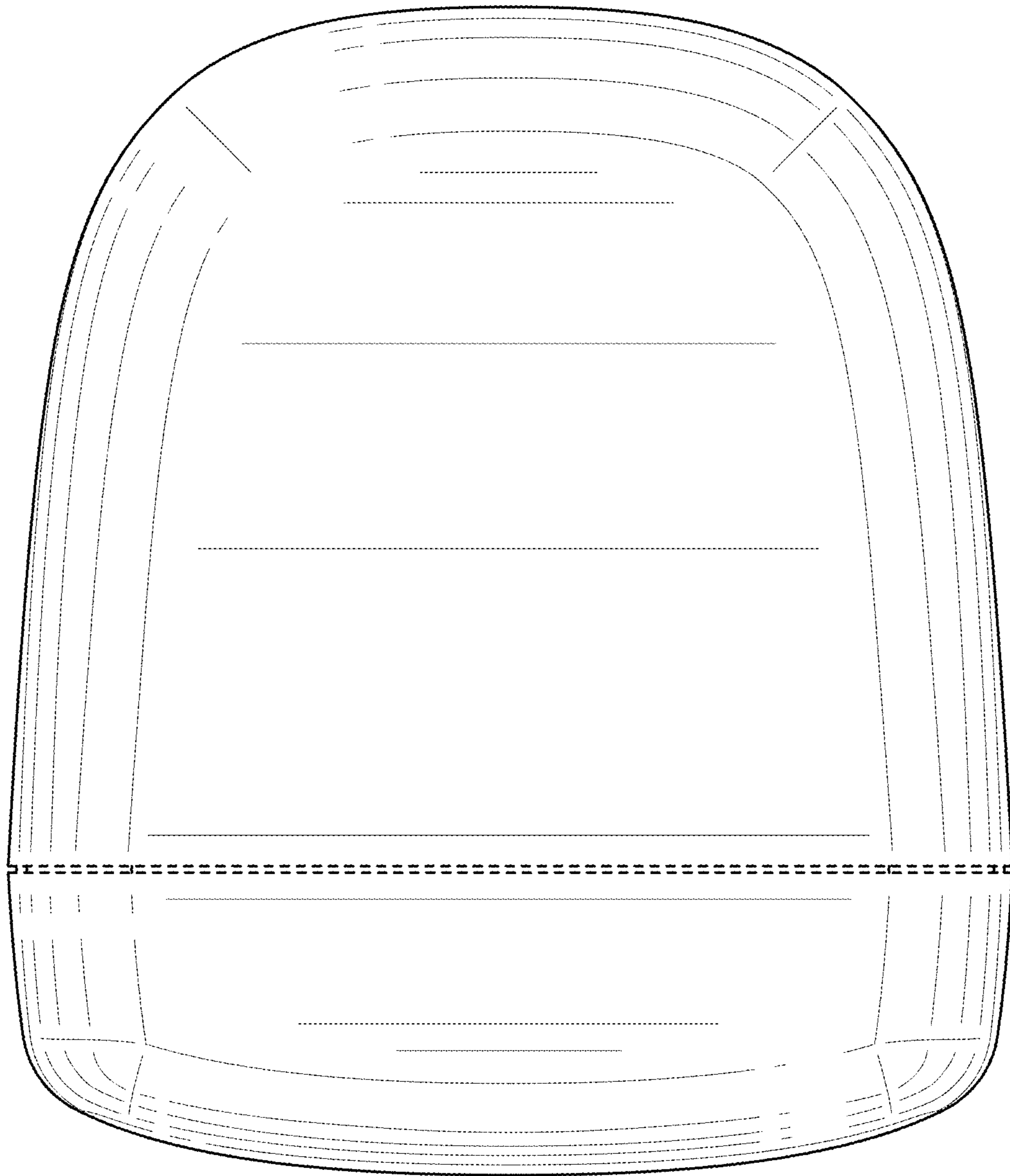


FIG. 3

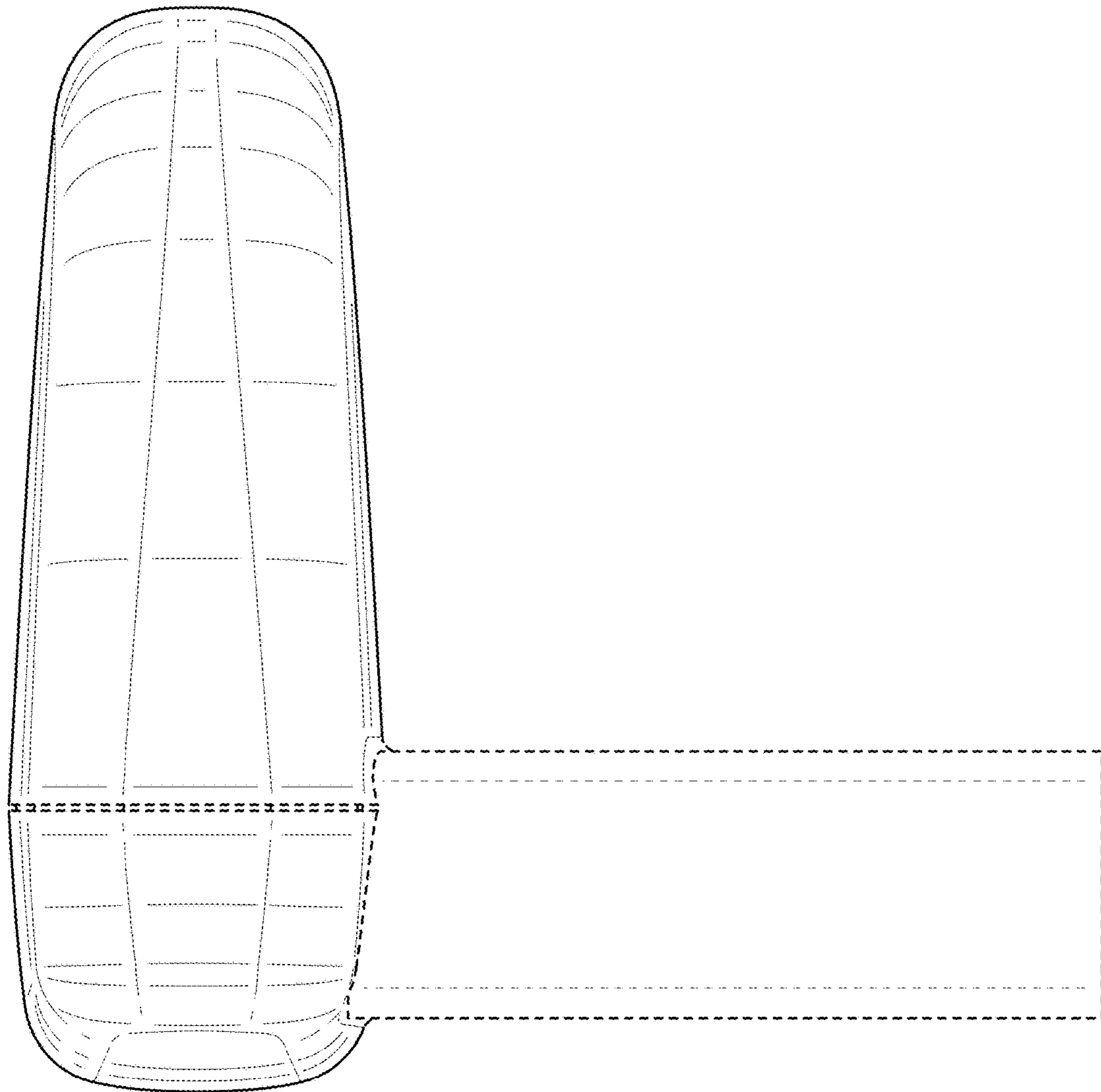


FIG. 4

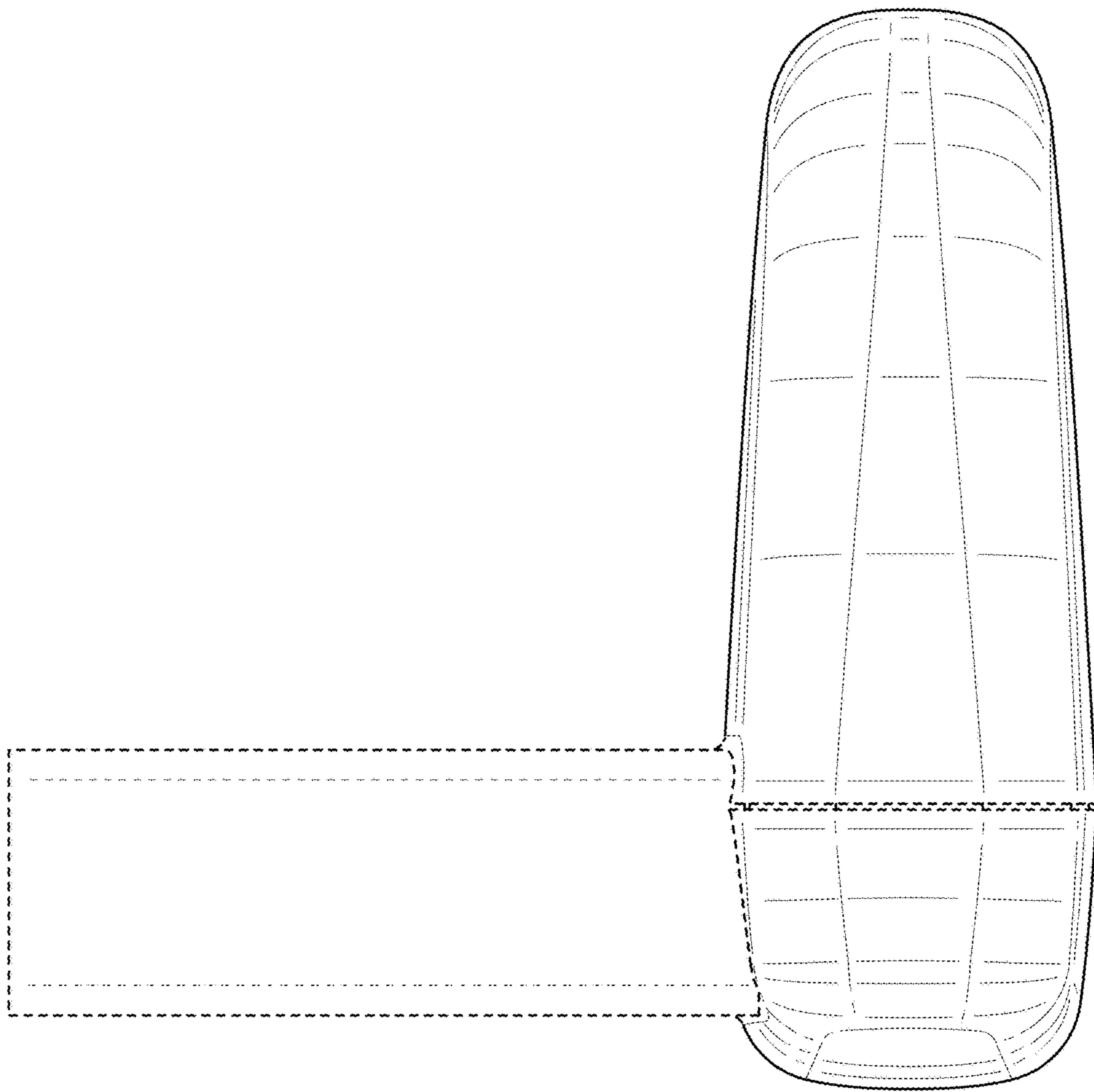


FIG. 5

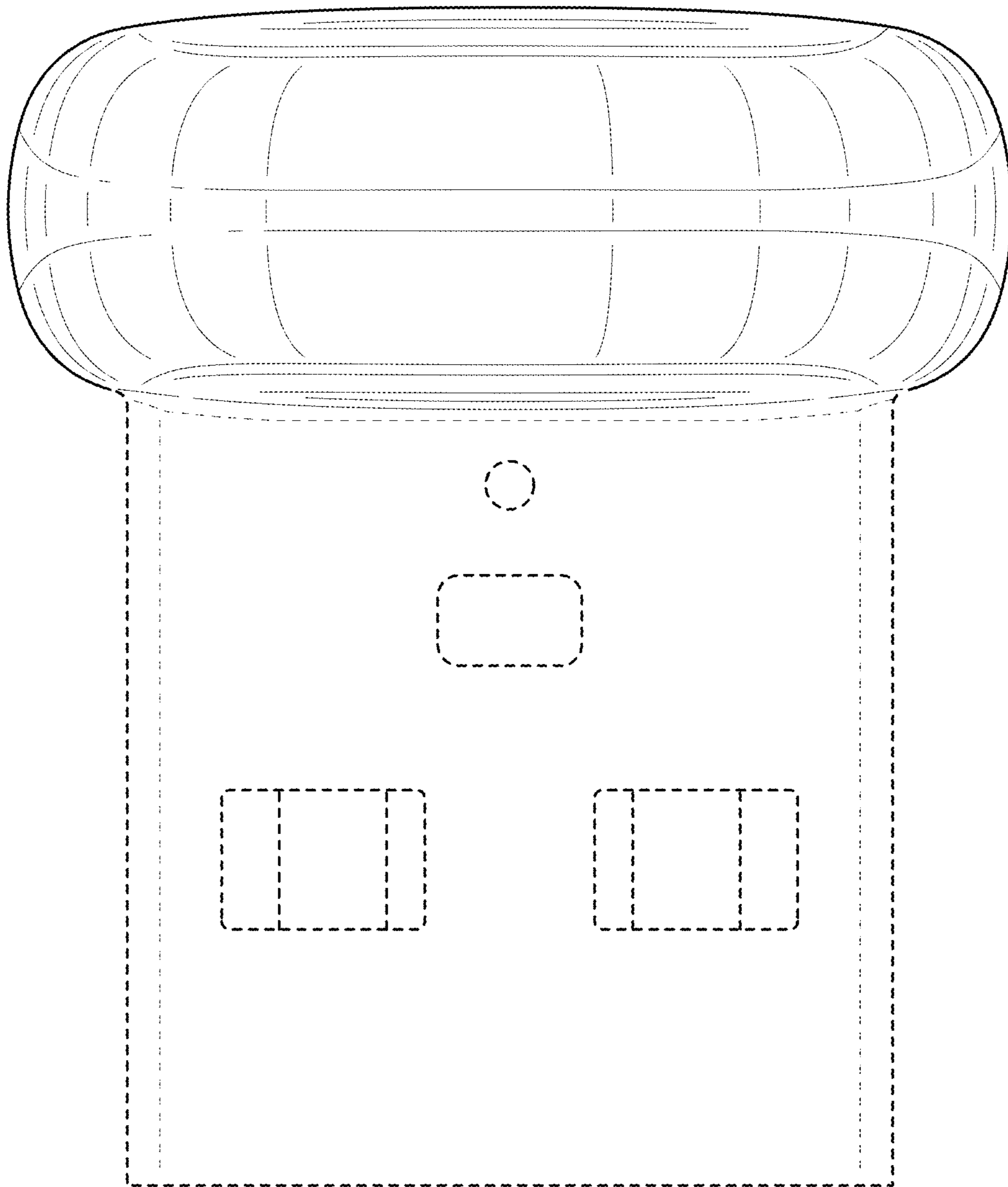


FIG. 6

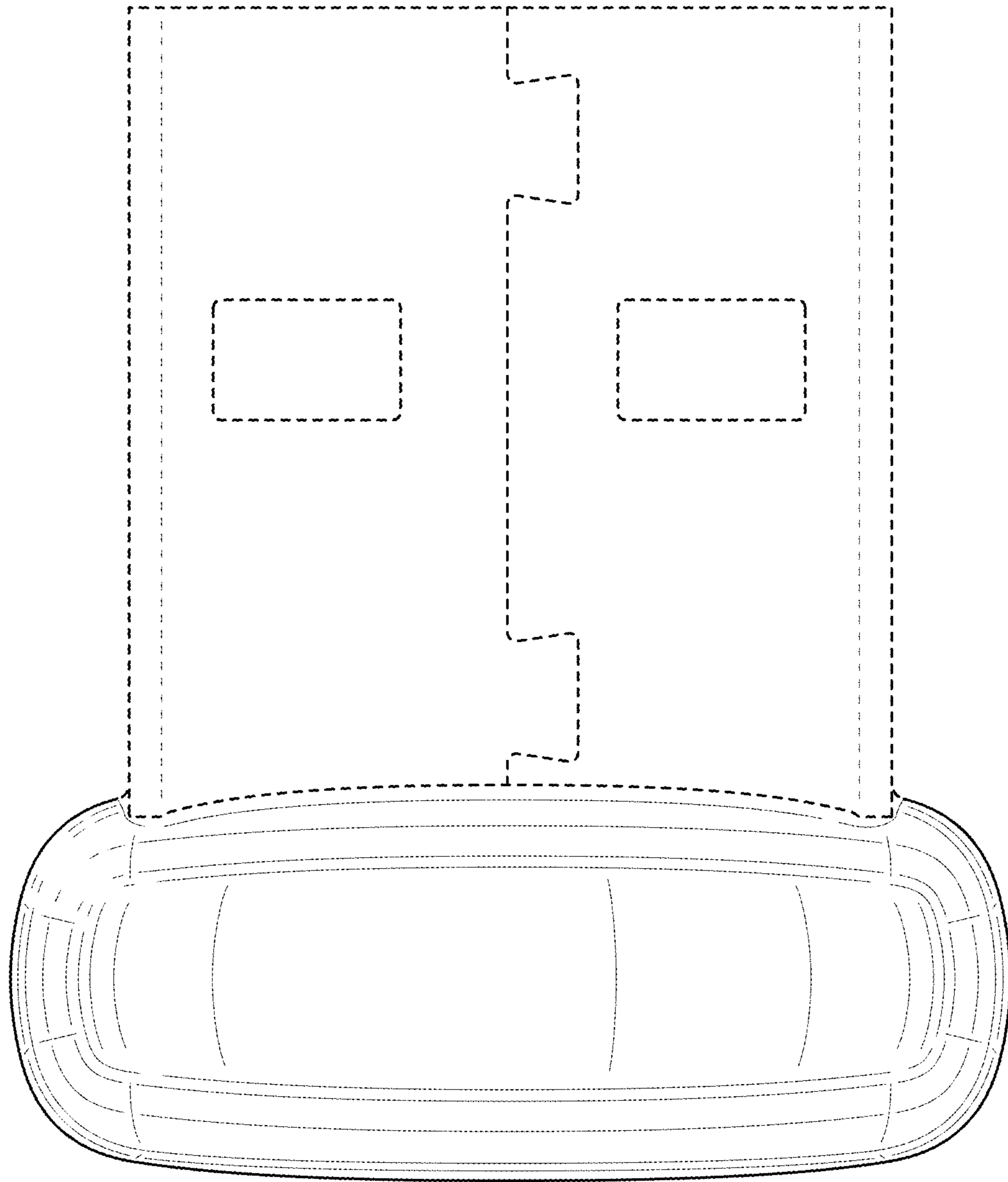


FIG. 7