



US00D781863S

(12) **United States Design Patent**  
**Lai et al.**

(10) **Patent No.:** **US D781,863 S**  
(45) **Date of Patent:** **\*\* Mar. 21, 2017**

- (54) **CASE**
- (71) Applicant: **CATALYST LIFESTYLE LIMITED**,  
North Point, Hong Kong (CN)
- (72) Inventors: **June Lai**, Hong Kong (CN); **Joshua Wright**, Hong Kong (CN)
- (73) Assignee: **CATALYST LIFESTYLE LIMITED**,  
Hong Kong (CN)
- (\*\*) Term: **15 Years**
- (21) Appl. No.: **29/535,009**
- (22) Filed: **Aug. 3, 2015**
- (51) **LOC (10) Cl.** ..... **14-02**
- (52) **U.S. Cl.**  
USPC ..... **D14/440**
- (58) **Field of Classification Search**  
USPC ... D14/250, 440, 447; 206/45.23, 320, 45.2;  
361/679.55; 294/25; 224/218, 222;  
D9/414; D3/29; D11/3  
CPC .... G06F 1/1628; G06F 1/1667; G06F 1/1626;  
A47B 23/044; H04B 1/3888; A45C 11/00  
See application file for complete search history.

(56) **References Cited**  
U.S. PATENT DOCUMENTS

- D675,210 S \* 1/2013 Kim ..... D14/439
- D679,714 S \* 4/2013 Smith ..... D14/440
- D703,211 S \* 4/2014 Weller ..... D14/440
- D731,493 S \* 6/2015 Mills ..... D14/440

- D735,207 S \* 7/2015 Dahlberg ..... D14/440
- 9,123,935 B2 \* 9/2015 Huang ..... H01M 10/46
- D755,187 S \* 5/2016 Shannon, III ..... D14/440
- D759,658 S \* 6/2016 Lai ..... D14/440
- 2012/0118773 A1 \* 5/2012 Rayner ..... G06F 1/1626  
206/320
- 2013/0063004 A1 \* 3/2013 Lai ..... G06F 1/1688  
312/223.1

\* cited by examiner

*Primary Examiner* — Cynthia Underwood

(74) *Attorney, Agent, or Firm* — Dinsmore & Shohl LLP

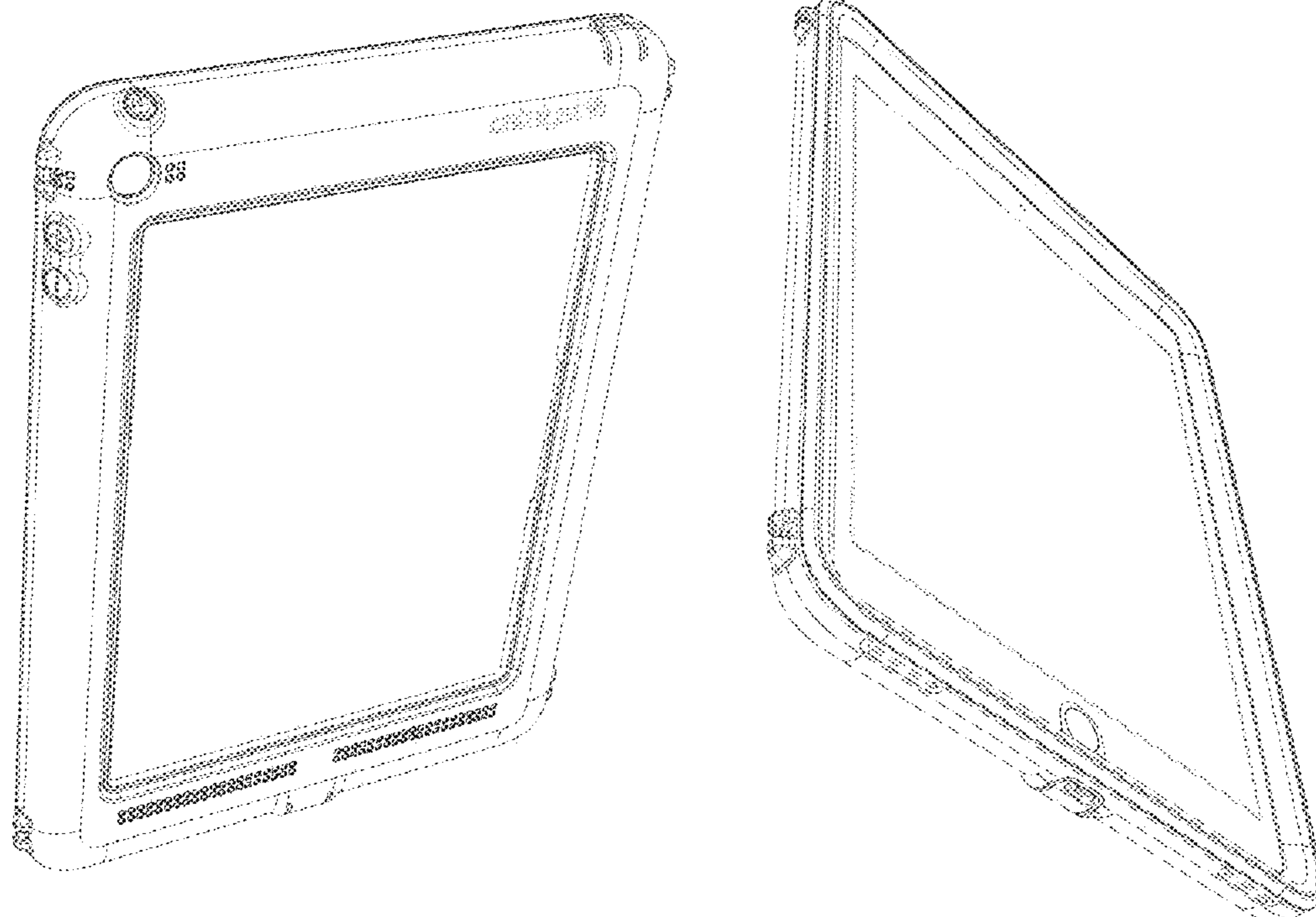
(57) **CLAIM**

The ornamental design for a case, as shown and described.

**DESCRIPTION**

FIG. 1 is a perspective view of a rear, top and one side of the case;  
 FIG. 2 is a perspective view of a top, and a side of the case of FIG. 1;  
 FIG. 3 is a perspective view of a bottom, top and an opposite side of the case of FIG. 1;  
 FIG. 4 is a planar view of the top of the case of FIG. 1;  
 FIG. 5 is a planar view of the rear of the case of FIG. 1;  
 FIG. 6 is a planar view of the opposite side of the case of FIG. 1;  
 FIG. 7 is a planar view of the front of the case of FIG. 1;  
 FIG. 8 is a planar view of one side of the case of FIG. 1; and,  
 FIG. 9 is a planar view of the bottom of the case of FIG. 1.  
 The broken lines represent portions of the structure that forms no part of the claim.

**1 Claim, 9 Drawing Sheets**



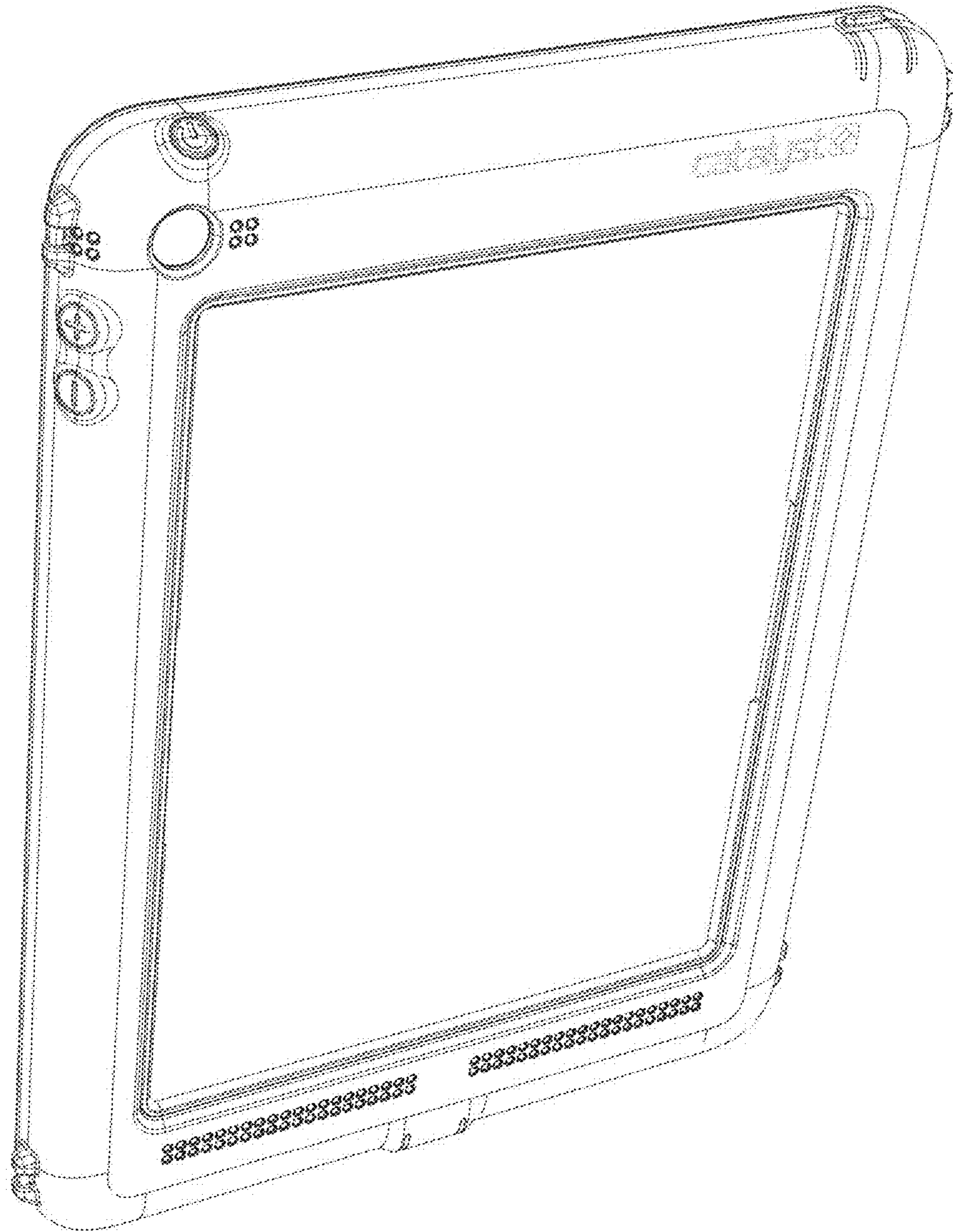


Figure 1

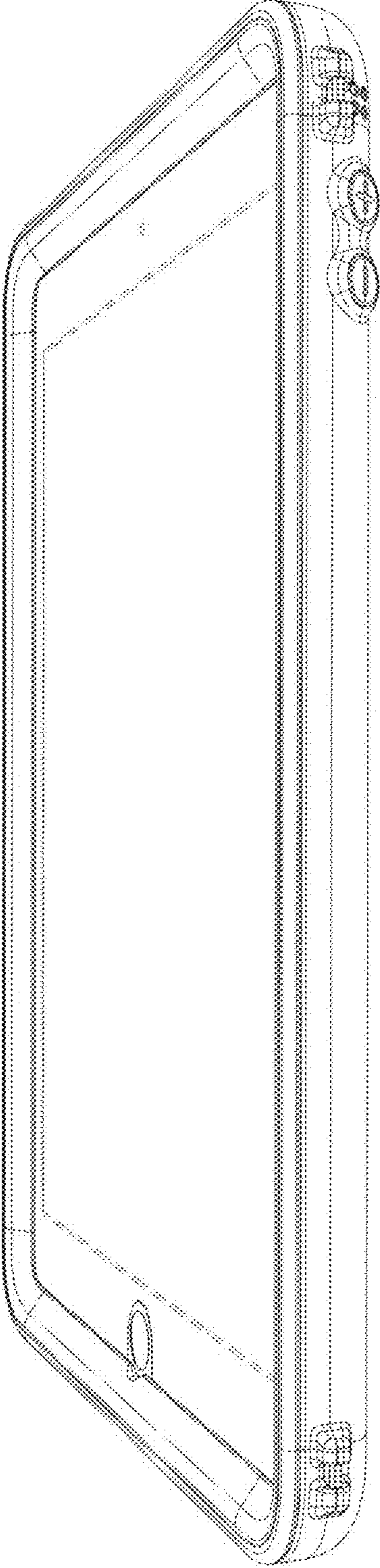


Figure 2

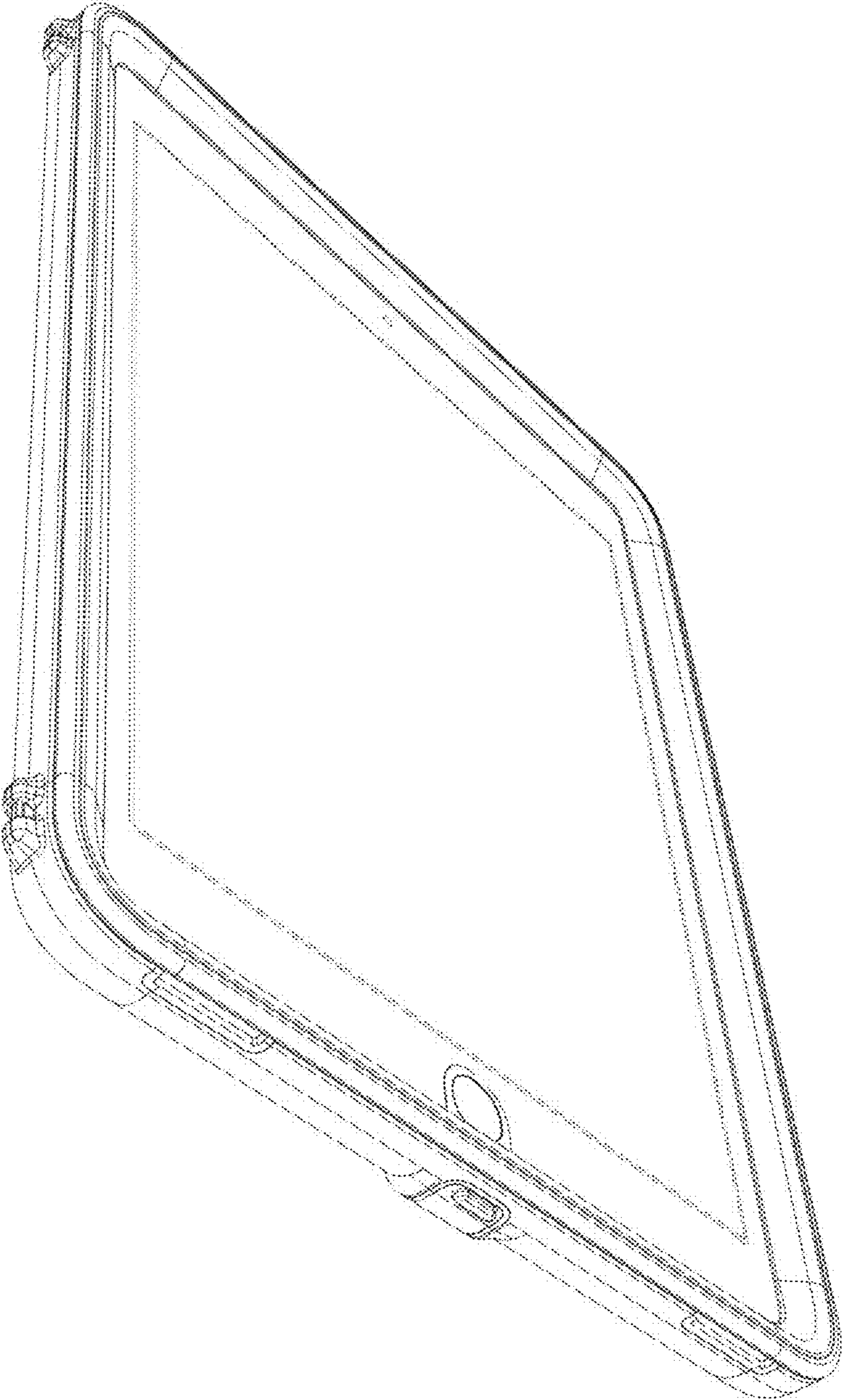


Figure 3

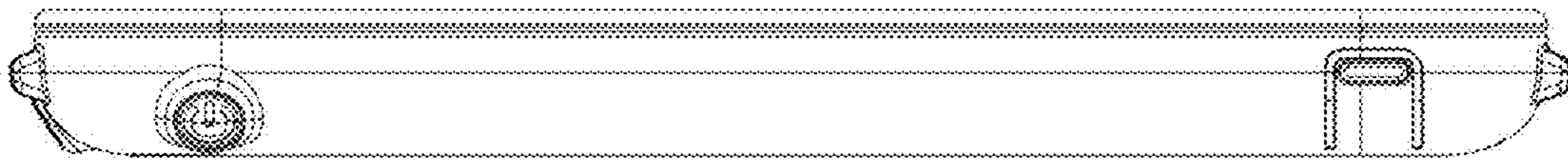


Figure 4

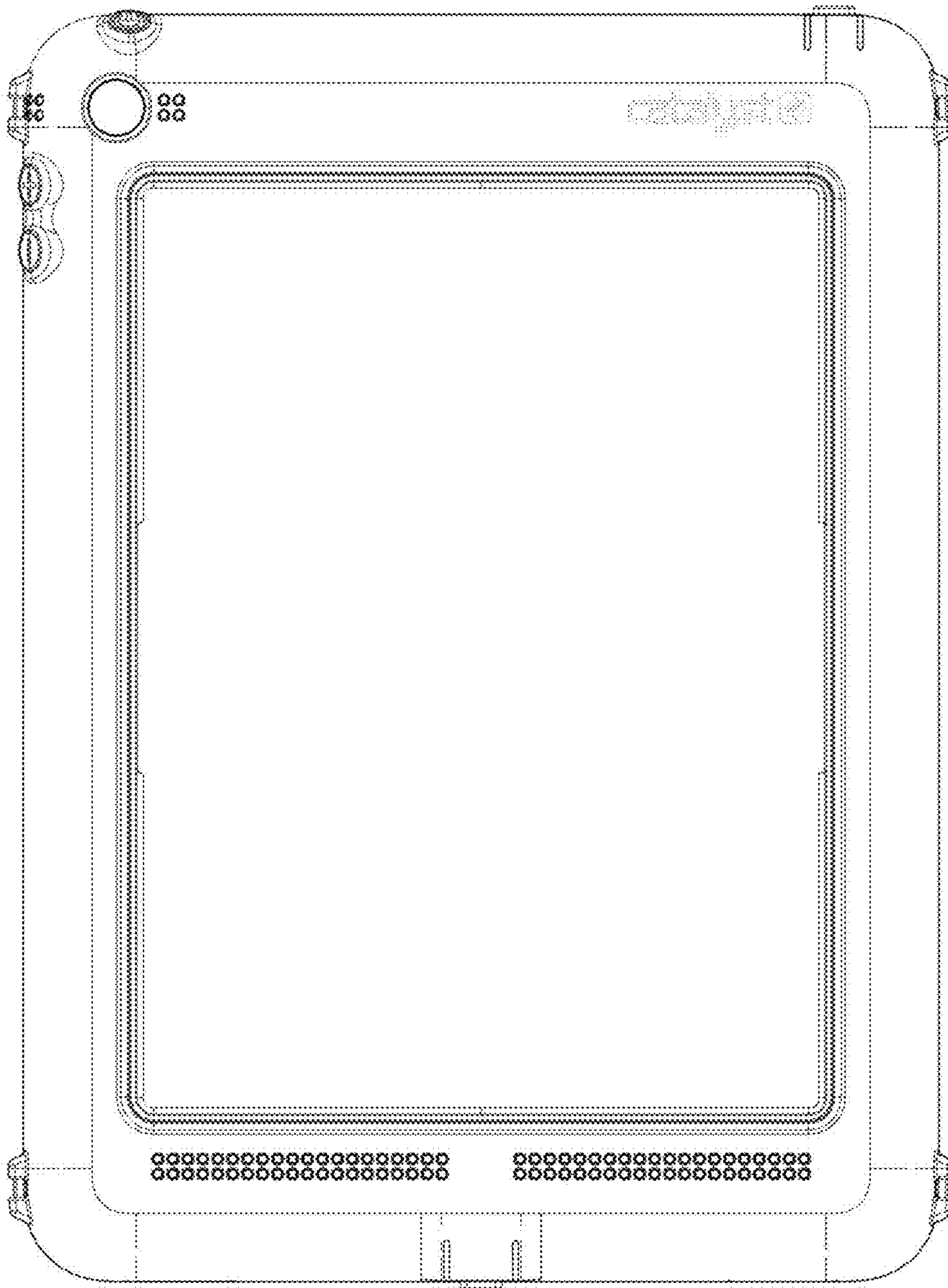


Figure 5

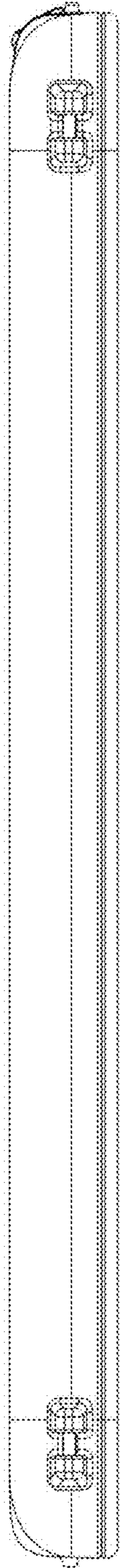


Figure 6

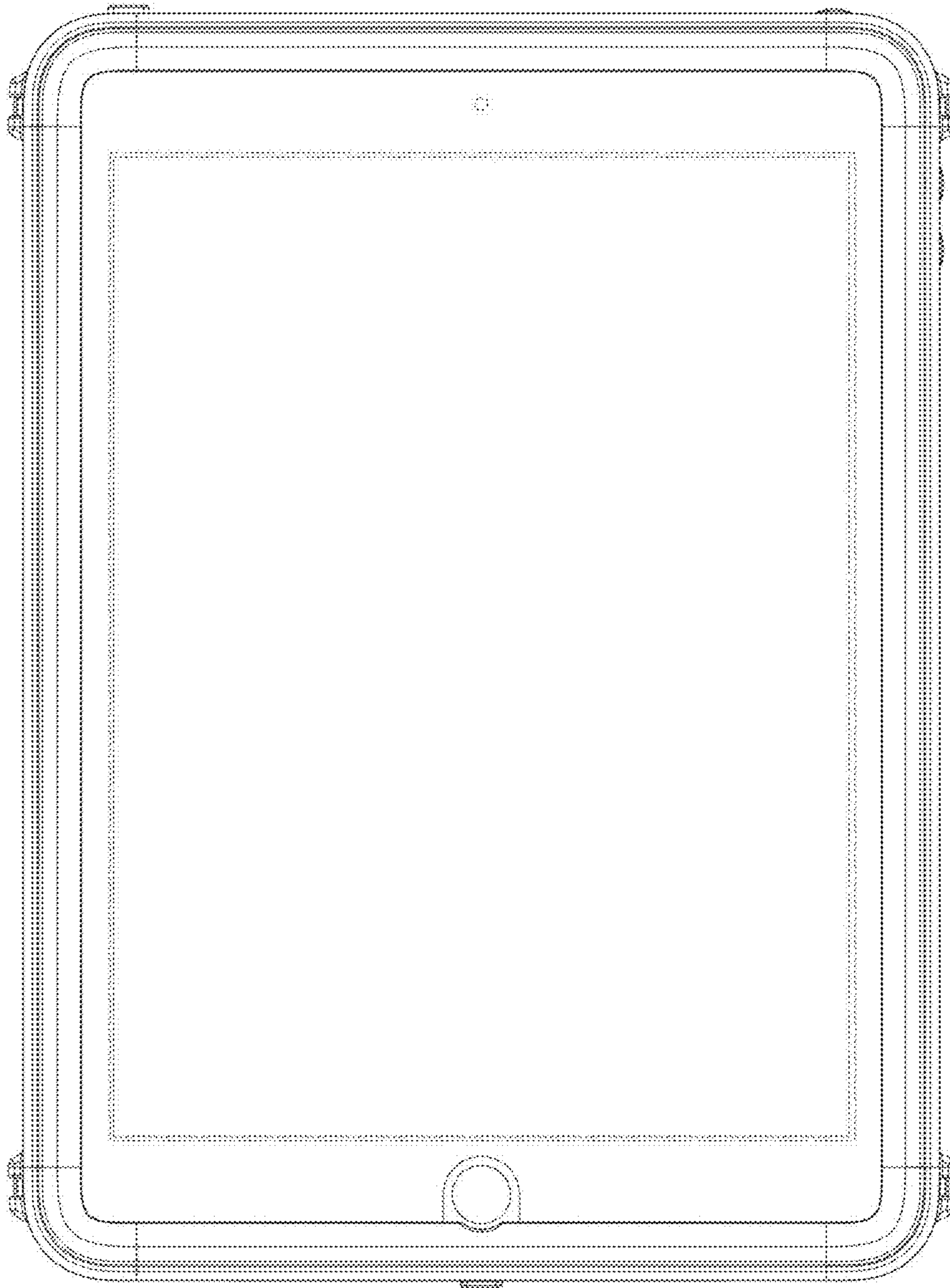


Figure 7



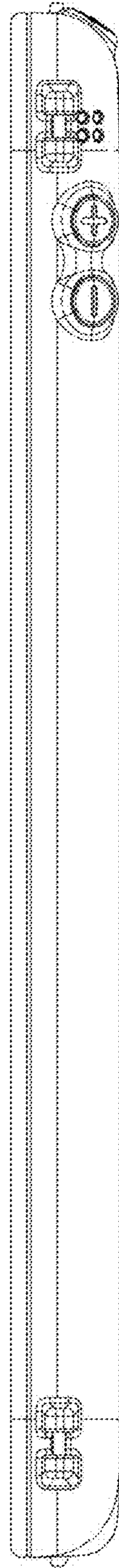


Figure 8

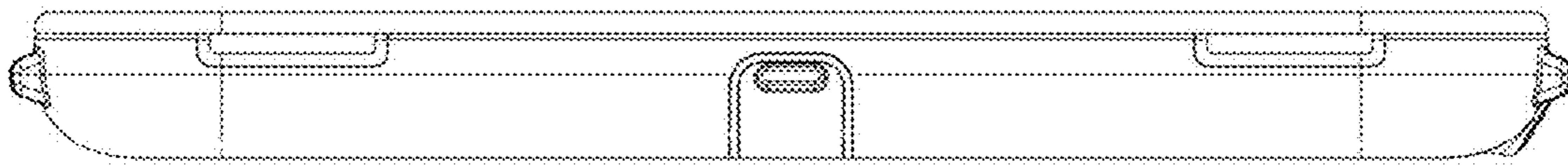


Figure 9