

US00D781861S

(12) **United States Design Patent**
Lane et al.

(10) **Patent No.: US D781,861 S**
(45) **Date of Patent: ** Mar. 21, 2017**

(54) **OVERLAY**

(71) Applicant: **Belkin International, Inc.**, Playa Vista, CA (US)

(72) Inventors: **Steven Lane**, Orange, CA (US); **John F. Wadsworth**, Burbank, CA (US)

(73) Assignee: **Belkin International Inc.**, Playa Vista, CA (US)

(**) Term: **15 Years**

(21) Appl. No.: **29/557,991**

(22) Filed: **Mar. 14, 2016**

Related U.S. Application Data

(62) Division of application No. 29/477,417, filed on Dec. 20, 2013, now Pat. No. Des. 751,557.

(51) **LOC (10) Cl.** **14-02**

(52) **U.S. Cl.**
USPC **D14/432**

(58) **Field of Classification Search**
USPC D14/316-319, 432-439, 442, 451-454, D14/496, 495, 391, 385, 367, 356;
(Continued)

(56) **References Cited**

U.S. PATENT DOCUMENTS

D305,648 S 1/1990 Edington
4,895,231 A 1/1990 Yamaguchi et al.
(Continued)

FOREIGN PATENT DOCUMENTS

CN 201456516 5/2010
CN 102632674 8/2012
(Continued)

OTHER PUBLICATIONS

International Search Report and Written Opinion for PCT/US2014/071767 dated Apr. 24, 2015.

(Continued)

Primary Examiner — Austin Murphy

(74) *Attorney, Agent, or Firm* — Bryan Cave LLP

(57) **CLAIM**

We claim the ornamental design for the overlay, substantially as shown and described.

DESCRIPTION

FIG. 1 is a top perspective view of an overlay, according to a first embodiment;

FIG. 2 is a bottom perspective view of the overlay, according to the first embodiment;

FIG. 3 is a top plan view of the overlay, according to the first embodiment;

FIG. 4 is a side elevational view of the overlay, according to the first embodiment;

FIG. 5 is a bottom plan view of the overlay, according to the first embodiment;

FIG. 6 is an opposite side elevational view of the overlay, according to the first embodiment;

FIG. 7 is a top perspective view of an overlay, according to a second embodiment;

FIG. 8 is a bottom perspective view of the overlay, according to the second embodiment;

FIG. 9 is a top plan view of the overlay, according to the second embodiment;

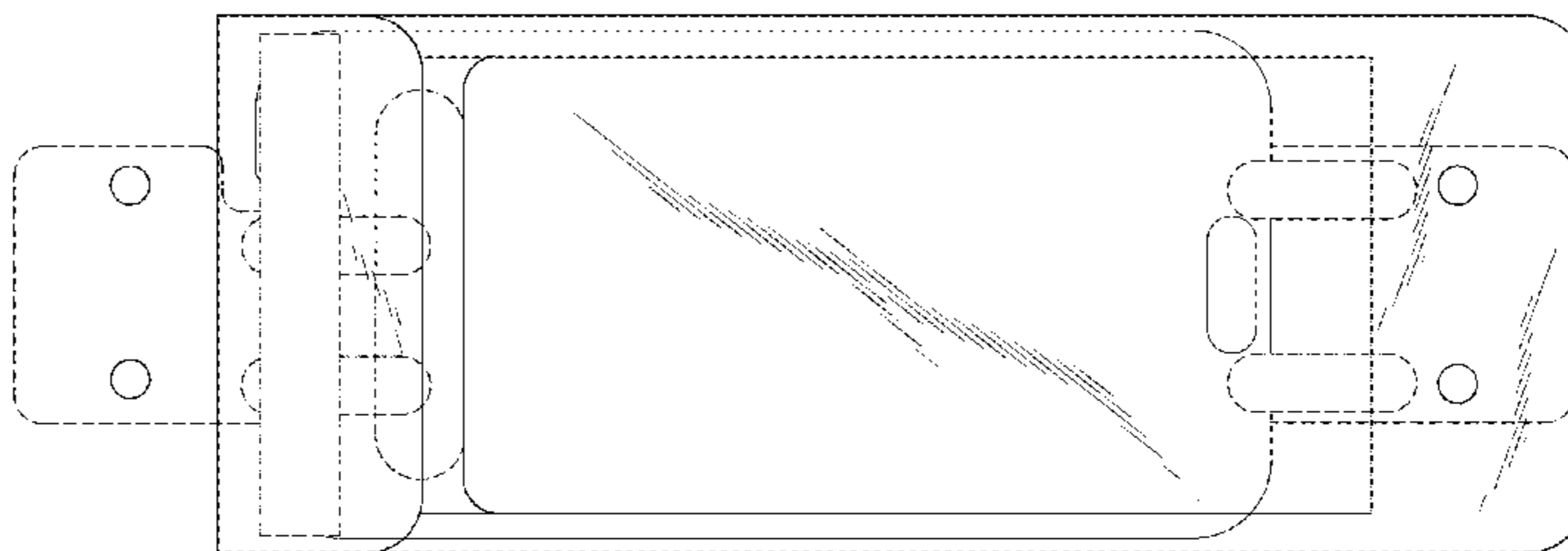
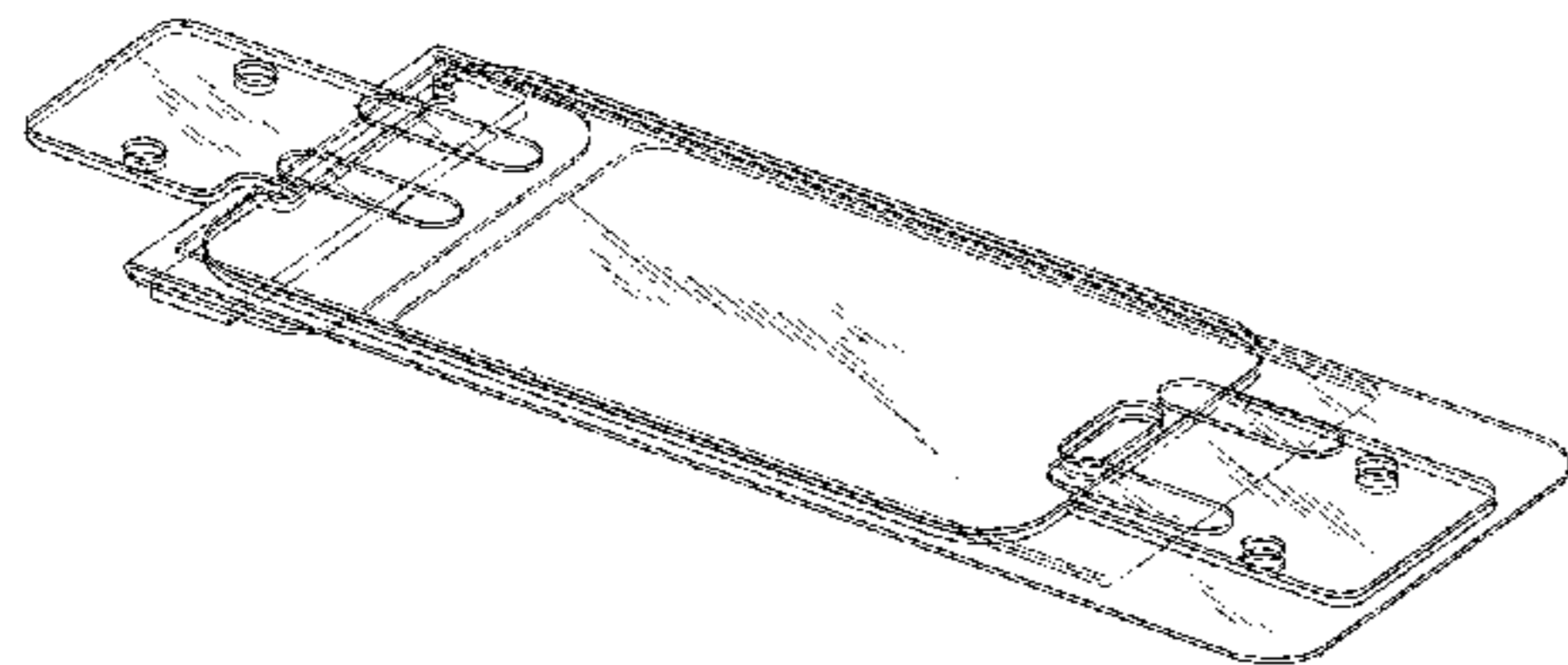
FIG. 10 is a side elevational view of the overlay, according to the second embodiment;

FIG. 11 is a bottom plan view of the overlay, according to the second embodiment; and,

FIG. 12 is an opposite side elevational view of the overlay, according to the second embodiment.

The evenly dashed broken lines of the various embodiments of the overlay are directed to environment and are for illustrative purposes only; the evenly dashed broken lines form no part of the claimed design.

1 Claim, 4 Drawing Sheets



(58) **Field of Classification Search**

USPC D8/331, 330; D18/50, 4.6, 4.5; 439/630,
439/635, 639, 160; 360/2; 235/492, 486,
235/479, 380

CPC G06F 1/1643; G06F 1/169; H04B 1/3888

See application file for complete search history.

2015/0041069 A1* 2/2015 Wadsworth B29C 63/024
156/535
2015/0047773 A1* 2/2015 Wadsworth B29C 63/0047
156/182
2015/0107767 A1* 4/2015 Wadsworth B32B 37/0046
156/324

(56)

References Cited

U.S. PATENT DOCUMENTS

5,069,732 A 12/1991 Levine
5,680,709 A 10/1997 Stone
6,406,758 B1 6/2002 Bottari et al.
7,084,859 B1 8/2006 Pryor
D598,024 S 8/2009 Scott et al.
D601,959 S 10/2009 Lee
D601,960 S 10/2009 Dai
7,697,827 B2 4/2010 Konicek
7,957,524 B2 6/2011 Chipping
7,966,861 B2 6/2011 Yee et al.
8,047,365 B1 11/2011 Lin
D651,214 S 12/2011 Yoo et al.
D665,809 S 8/2012 Wang et al.
8,369,072 B1 2/2013 Alonzo et al.
8,393,377 B2 3/2013 Patel et al.
8,517,367 B1 8/2013 Napier
D690,704 S 10/2013 Padilla et al.
8,564,538 B2 10/2013 Wadsworth
D707,217 S 6/2014 Toulotte
D710,843 S 8/2014 Akana
D714,053 S 9/2014 Yoo
D715,301 S 10/2014 Ashcraft et al.
D720,353 S 12/2014 Nakamura
D721,359 S 1/2015 Kim
D729,235 S 5/2015 Nagao et al.
9,089,085 B2* 7/2015 Patel B29C 63/0004
9,159,260 B2 10/2015 Oh
D751,556 S* 3/2016 Conley D14/432
D751,557 S* 3/2016 Lane D14/432
D759,640 S* 6/2016 Wadsworth D14/250
2002/0054030 A1 5/2002 Murphy
2004/0109096 A1 6/2004 Anderson et al.
2004/0246386 A1 12/2004 Thomas et al.
2005/0030296 A1 2/2005 Stohrer et al.
2005/0164148 A1 7/2005 Sinclair
2007/0013662 A1 1/2007 Fauth
2007/0058990 A1 3/2007 Weaver et al.
2007/0115621 A1 5/2007 Guillen
2007/0229962 A1 10/2007 Mason, Jr.
2007/0247793 A1 10/2007 Carnevali
2007/0293282 A1 12/2007 Lewis et al.
2009/0186181 A1 7/2009 Mase
2009/0314400 A1 12/2009 Liu
2010/0309152 A1 12/2010 Kusuda et al.
2011/0206887 A1 8/2011 Kim
2011/0267793 A1 11/2011 Cohen
2011/0279383 A1 11/2011 Wilson et al.
2011/0309608 A1 12/2011 Flynn et al.
2012/0043015 A1 2/2012 Feller
2012/0076967 A1 3/2012 Muramatsu
2012/0087072 A1 4/2012 McGuire et al.
2012/0110868 A1 5/2012 Abbondanzio
2012/0183712 A1 7/2012 Leonhard et al.
2012/0211168 A1 8/2012 Patel et al.
2012/0268394 A1 10/2012 Hsu et al.
2013/0020005 A1 1/2013 Koblick et al.
2013/0040088 A1 2/2013 Hirayama et al.
2013/0048203 A1 2/2013 Yau et al.
2013/0156999 A1 6/2013 Braesch et al.
2013/0184845 A1 7/2013 Hales
2013/0264235 A1 10/2013 Lin
2014/0055927 A1 2/2014 Wang
2015/0000831 A1 1/2015 Wang

FOREIGN PATENT DOCUMENTS

CN 202623469 12/2012
CN 202896928 4/2013
CN 202967060 6/2013
EM 0024866540001 6/2004
EM 0024866540002 6/2004
EM 0024866540003 6/2004
EM 0024866540004 6/2004
EM 0024866540005 6/2004
EM 0024866540006 6/2004
EM 0024866540007 6/2004
EM 0024866540008 6/2004
EM 0024866960001 6/2004
EM 0024866960002 6/2004
EM 0024866960003 6/2004
EM 0024866960004 6/2004
EM 0024866960005 6/2004
EM 0024866960006 6/2004
EM 0024866960007 6/2004
EM 0024866960008 6/2004
EM 0024866960009 6/2004
EM 0024866960010 6/2004
EM 0024866960011 6/2004
EM 0024866960012 6/2004
EM 0024866960013 6/2004
EM 0024866960014 6/2004
EM 0024866960015 6/2004
EM 0024866960016 6/2004
EM 0024867120001 6/2004
EM 0024867120002 6/2004
EM 0024867120003 6/2004
EM 0024867120004 6/2004
EM 0024867120005 6/2004
EM 0024867120006 6/2004
EM 0024867120007 6/2004
EM 0024867120008 6/2004
EM 0024867120009 6/2004
EM 0024867120010 6/2004
EM 0024867120011 6/2004
EM 0024867120012 6/2004
EM 0024867120013 6/2004
EM 0024867120014 6/2004
EM 0024867120015 6/2004
EM 0024867120016 6/2004
JP 10199422 7/1998
JP 2002049327 2/2002
JP 2002057764 2/2002
JP 2003066419 3/2003
JP 2006145918 6/2006
JP 2006155452 6/2006
JP 3124275 8/2006
JP 3180690 12/2012
KR 200454225 6/2011
KR 101135144 4/2012
KR 101176316 8/2012
KR 1020130043720 5/2013
WO 2004005141 1/2004
WO 2005058705 6/2005
WO 2011163151 12/2011
WO 2012074802 6/2012

OTHER PUBLICATIONS

International Search Report and Written Opinion for PCT/US2014/
060300 dated Jan. 27, 2015.
AMZER—Kristal Screen Protectors—<http://www.amzer.com/kristal/>, Mar. 21, 2014.
MyScreenPROTECTOR—<https://www.myscreenprotector.com/?Ing=3&view=cms&txt=about-my-screen-protector>, Mar. 21, 2014.

(56)

References Cited

OTHER PUBLICATIONS

PureGear—PureTek Roll-On Kit—<http://www.pure-gear.com/shop-by-category/screen/puretek-roll-on-kit-antibacterial-antiglare-anti-fingerprint.html>, Mar. 21, 2014.

TYLT ALIN Perfect Alignment Screen Protection—<http://www.tylt.com/aline/>, Mar. 21, 2014.

ZAGG Introduces invisibleSHIELD On Demand and invisible Shield Glass at CES 2—<http://investors.zagg.com/releasedetail.cfm?ReleaseID=817526>, Mar. 21, 2014.

International Search Report and Written Opinion for PCT/US2014/050420 dated Nov. 19, 2014.

International Search Report and Written Opinion for PCT/US09/61553, dated Dec. 17, 2009.

Protrusion on “F” key of computer keyboard; 1 page; picture taken Oct. 20, 2008.

Protrusion on “5” key of telephone; 1 page; picture taken Oct. 20, 2008.

Systech Displays, Inc.; Home page; <http://www.systechdisplays.com/>; Nov. 21, 2008; 2 pages.

* cited by examiner

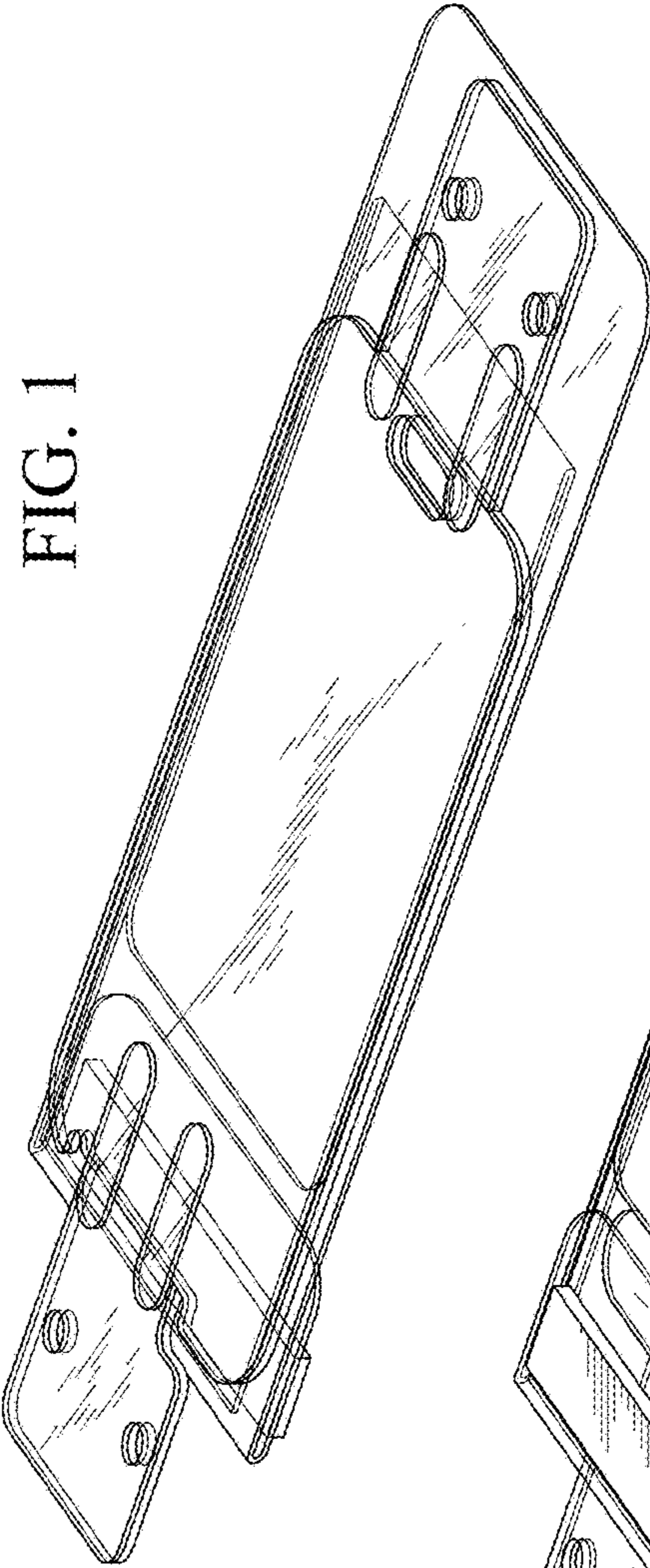


FIG. 1

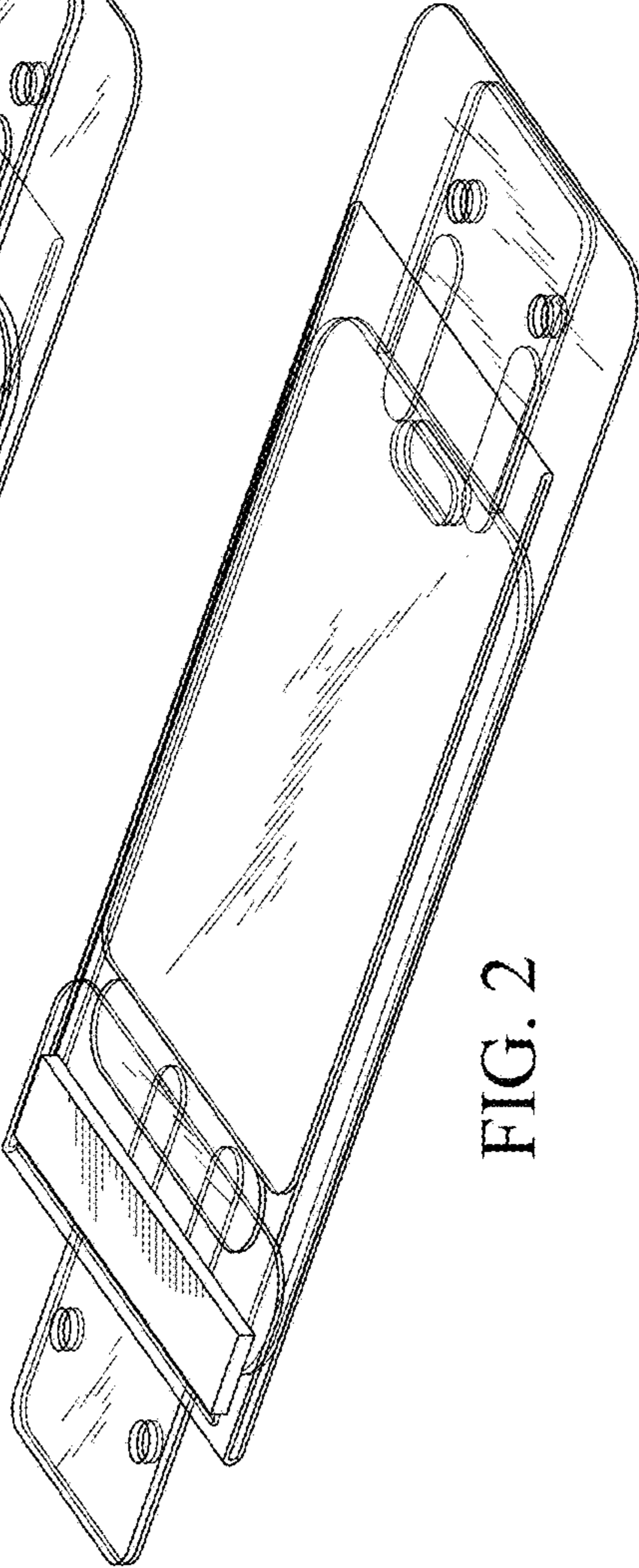


FIG. 2

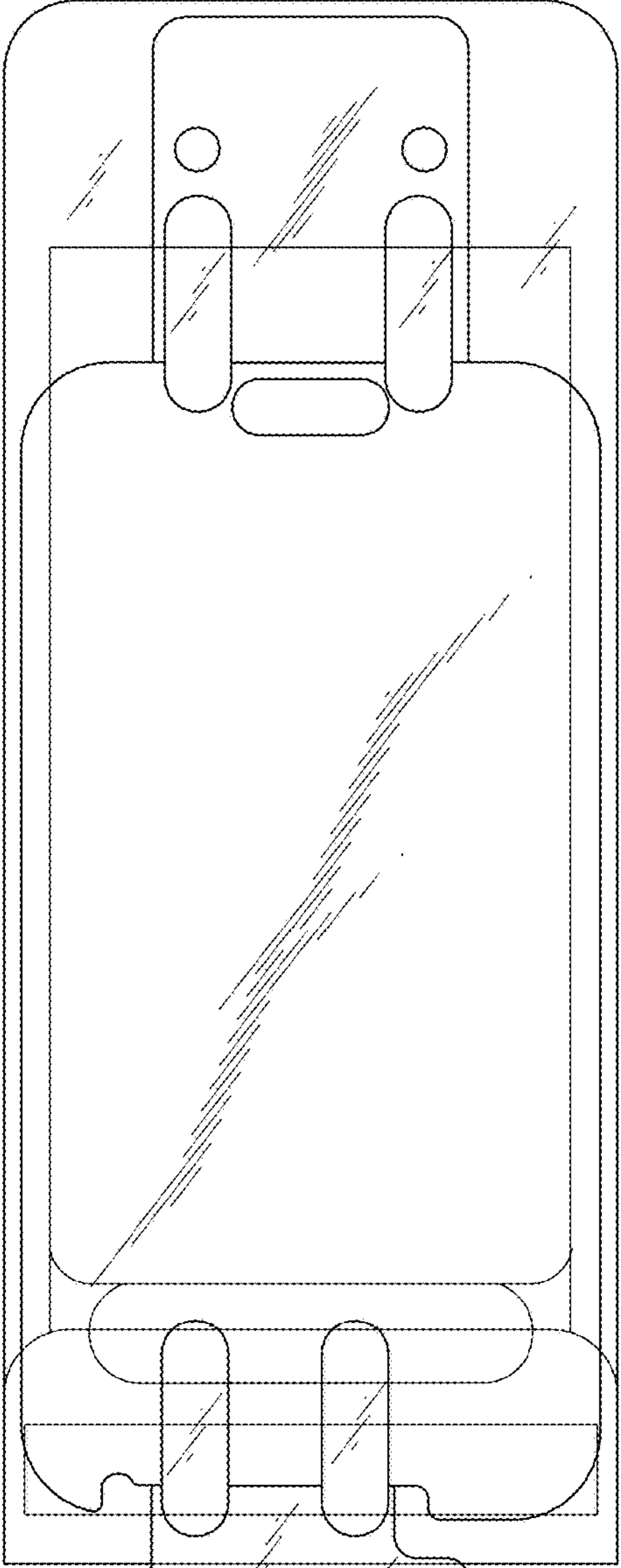


FIG. 3

FIG. 4

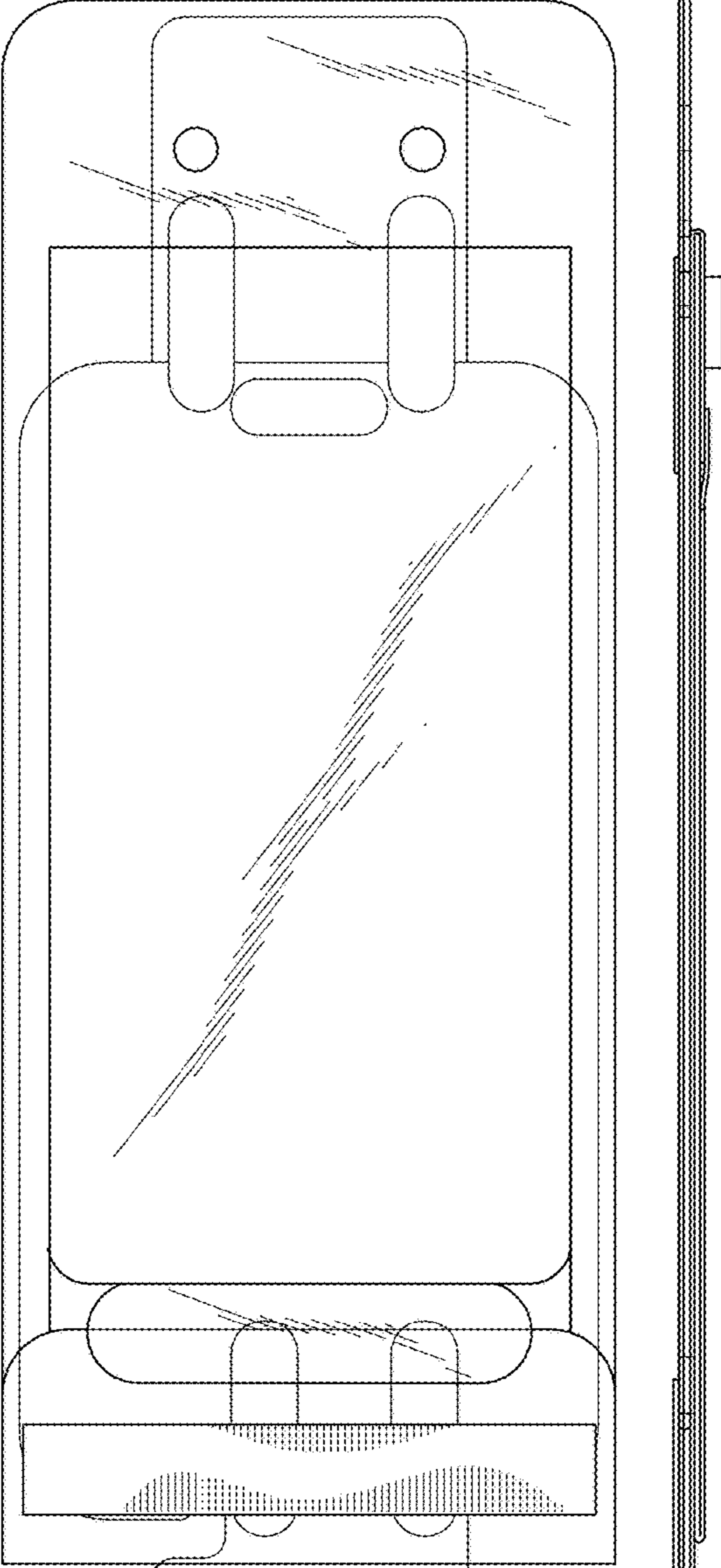


FIG. 5

FIG. 6

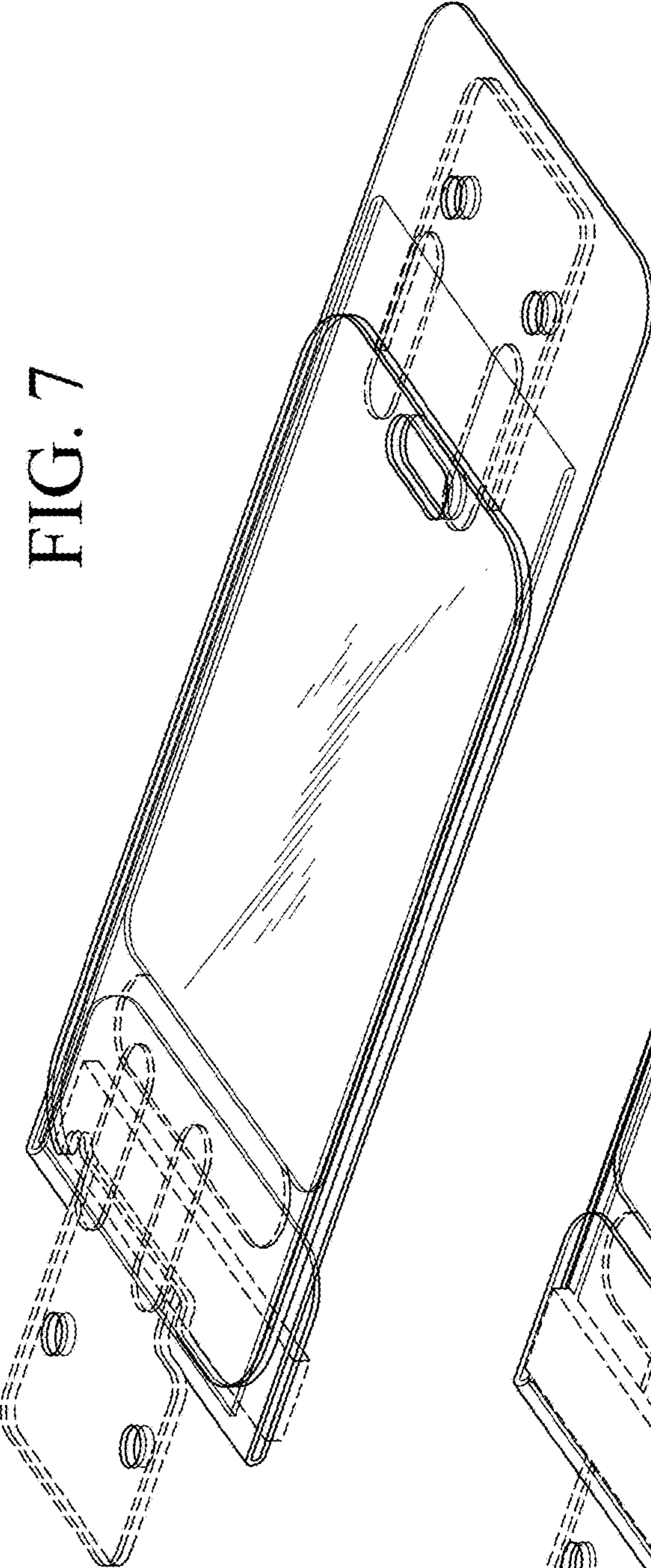


FIG. 7

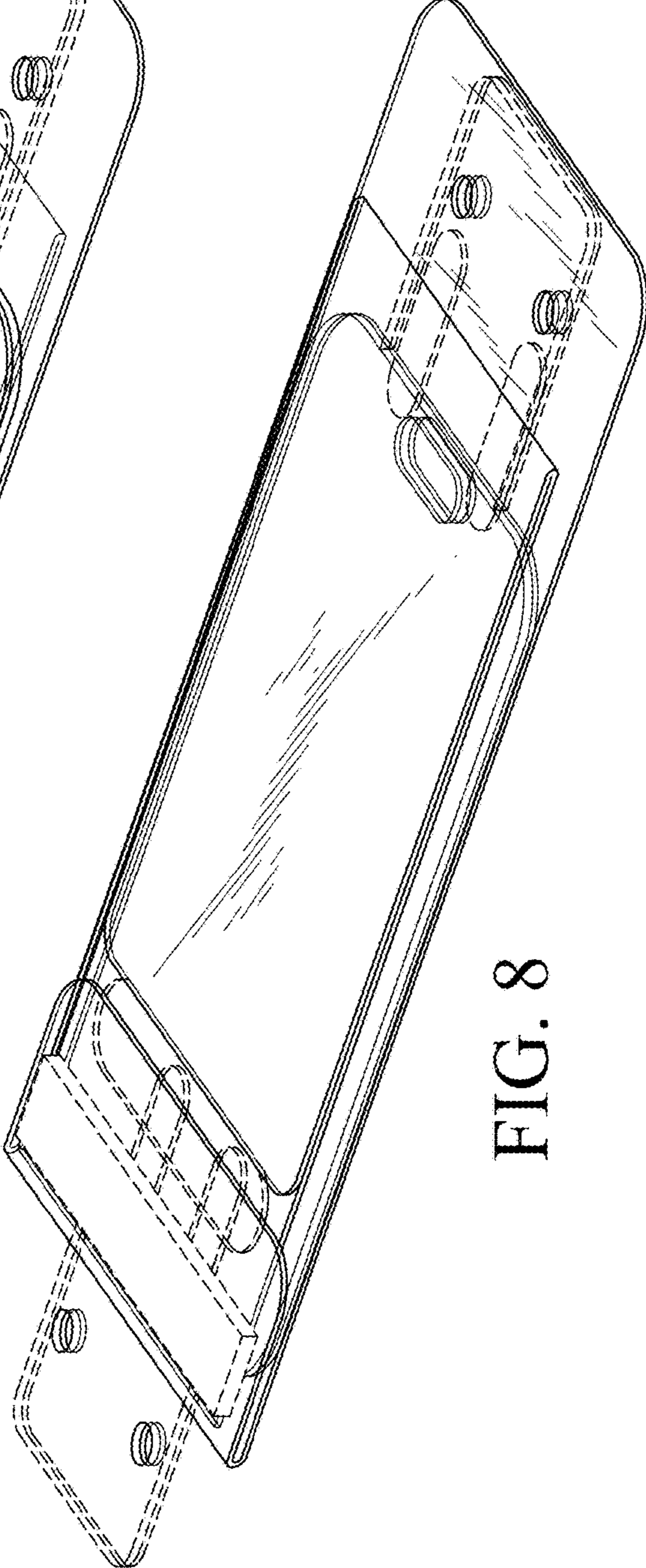


FIG. 8

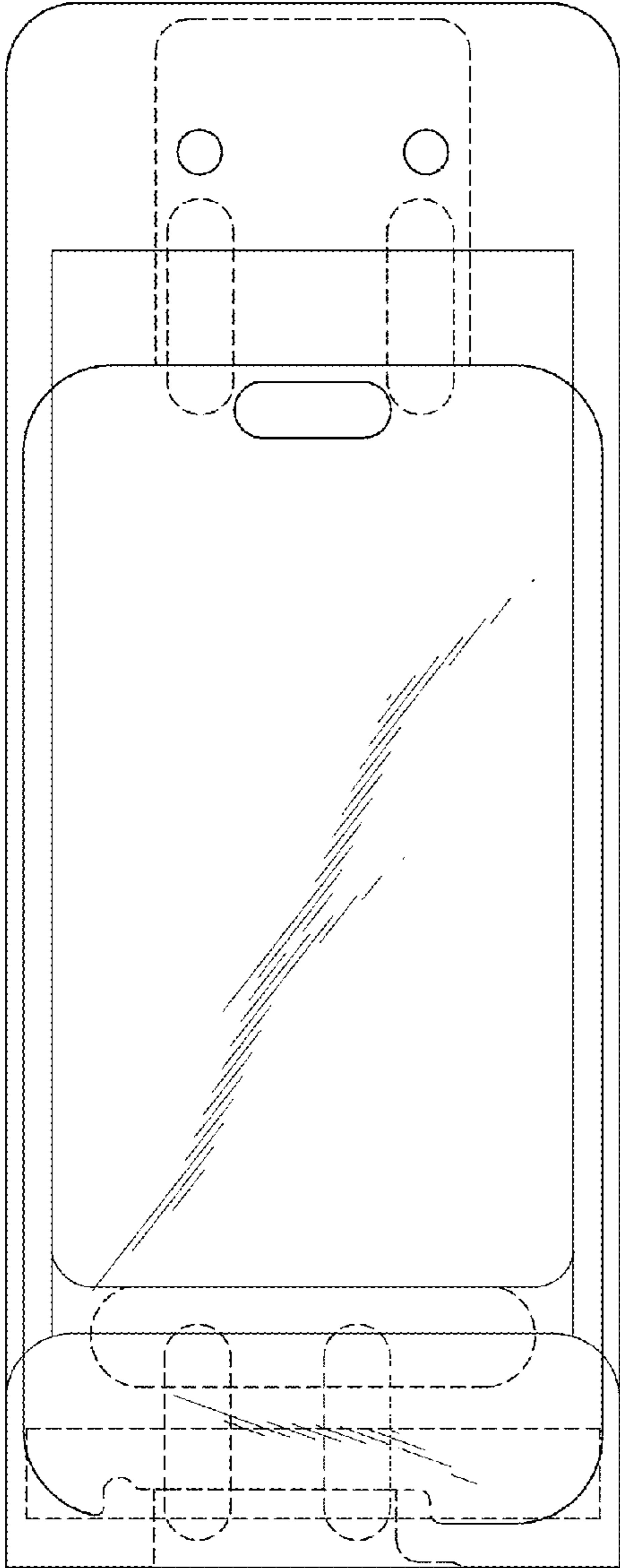


FIG. 9

FIG. 10

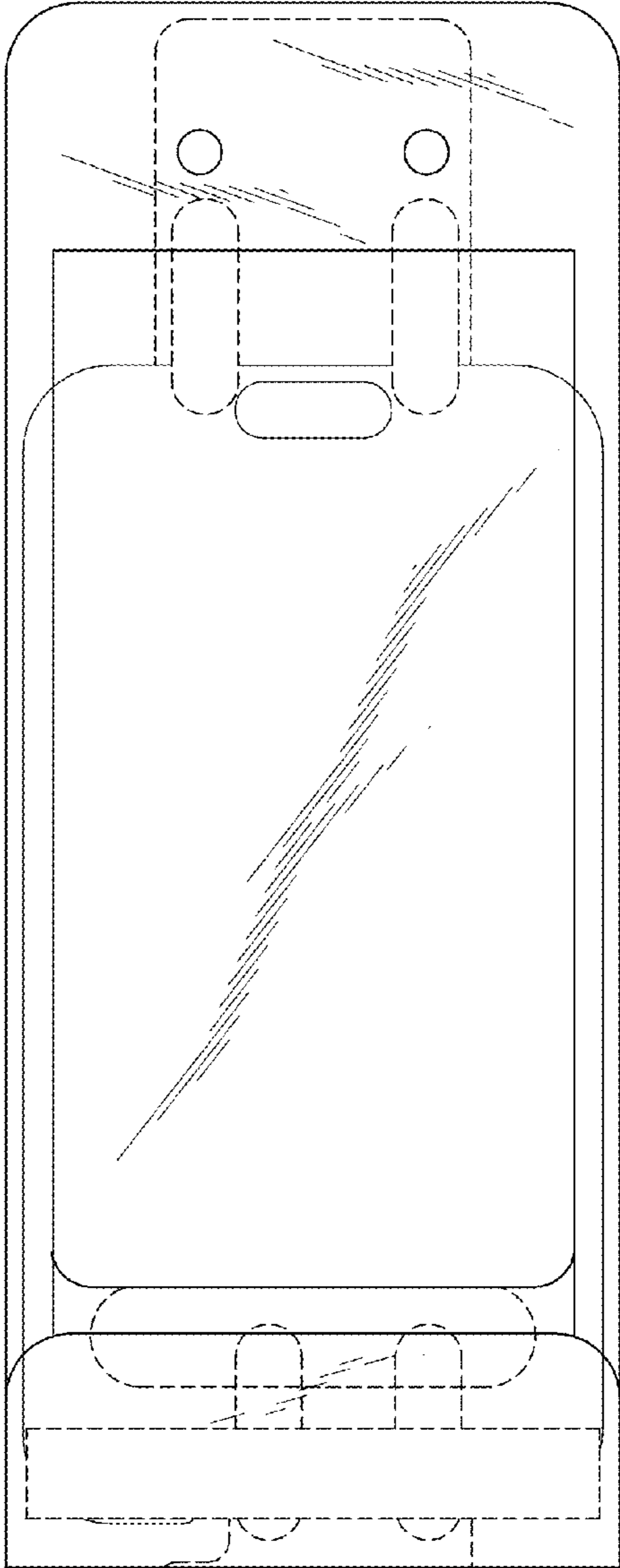


FIG. 11

FIG. 12

