



US00D781860S

(12) **United States Design Patent**
Tsiopanos et al.

(10) **Patent No.:** **US D781,860 S**
(45) **Date of Patent:** **** Mar. 21, 2017**

(54) **MOBILE COMPUTER DEVICE**

(71) Applicant: **SYMBOL TECHNOLOGIES, LLC**,
Lincolnshire, IL (US)

(72) Inventors: **Konstantinos Tsiopanos**, Selden, NY
(US); **Jaeho Choi**, Whitestone, NY
(US)

(73) Assignee: **Symbol Technologies, LLC**, Holtsville,
NY (US)

(**) Term: **15 Years**

(21) Appl. No.: **29/533,680**

(22) Filed: **Jul. 21, 2015**

(51) **LOC (10) Cl.** **14-02**

(52) **U.S. Cl.**
USPC **D14/426**

(58) **Field of Classification Search**
USPC D14/420, 426-430, 453, 346, 341, 347,
D14/412, 138; D13/107, 184; 358/473;
235/462.43, 462.45, 462.47, 462.48,
235/462.44, 462.46, 487, 472.01, 472.02,
235/145 A, 145 R; D10/78, 57, 2, 46, 52,
D10/53, 81; 324/426; D3/273; 710/73;
D18/7; 361/679, 728, 679.56; 382/313,
382/321; 455/575.1, 561, 572, 41.2;
345/156, 168, 169, 172, 173, 87; 705/17,
705/18, 22-25; D16/206, 218, 202, 219,
D16/208, 209; 356/328; 396/419, 423,
396/424; 374/130, 100, 121, 102, 141,
374/124, 170, 104, 103; 702/130, 135;
348/164, 165, 149, 333.01, 333.11,
348/E5.043, E5.047, E5.09, 33, 82,
348/E5.028, 347, 373, 374, 375; 250/330,
250/351, 353, 332, 334, 358.1, 316.1,
250/338.1; 600/549, 474, 413, 473, 200,
600/184

CPC G06F 1/626; G06F 1/1626; G06F 1/1656;
G06F 1/1632; G06F 1/1684; G06F
1/1635; G06F 8/63; G06F 17/30091;
G06F 9/4401; G06K 7/10881; G06K

7/1098; G06K 7/1404; G06K 7/0004;
G06K 7/10633; G06K 7/10851; G06K
7/1091; G06K 7/1092; G06K 7/1093;
G06K 7/10; G06K

(Continued)

(56) **References Cited**

U.S. PATENT DOCUMENTS

6,319,199 B1 11/2001 Sheehan
D455,750 S 4/2002 Krantz

(Continued)

OTHER PUBLICATIONS

Design U.S. Appl. No. 29/453,478, filed Apr. 30, 2013.

(Continued)

Primary Examiner — Susan Moon Lee

(57) **CLAIM**

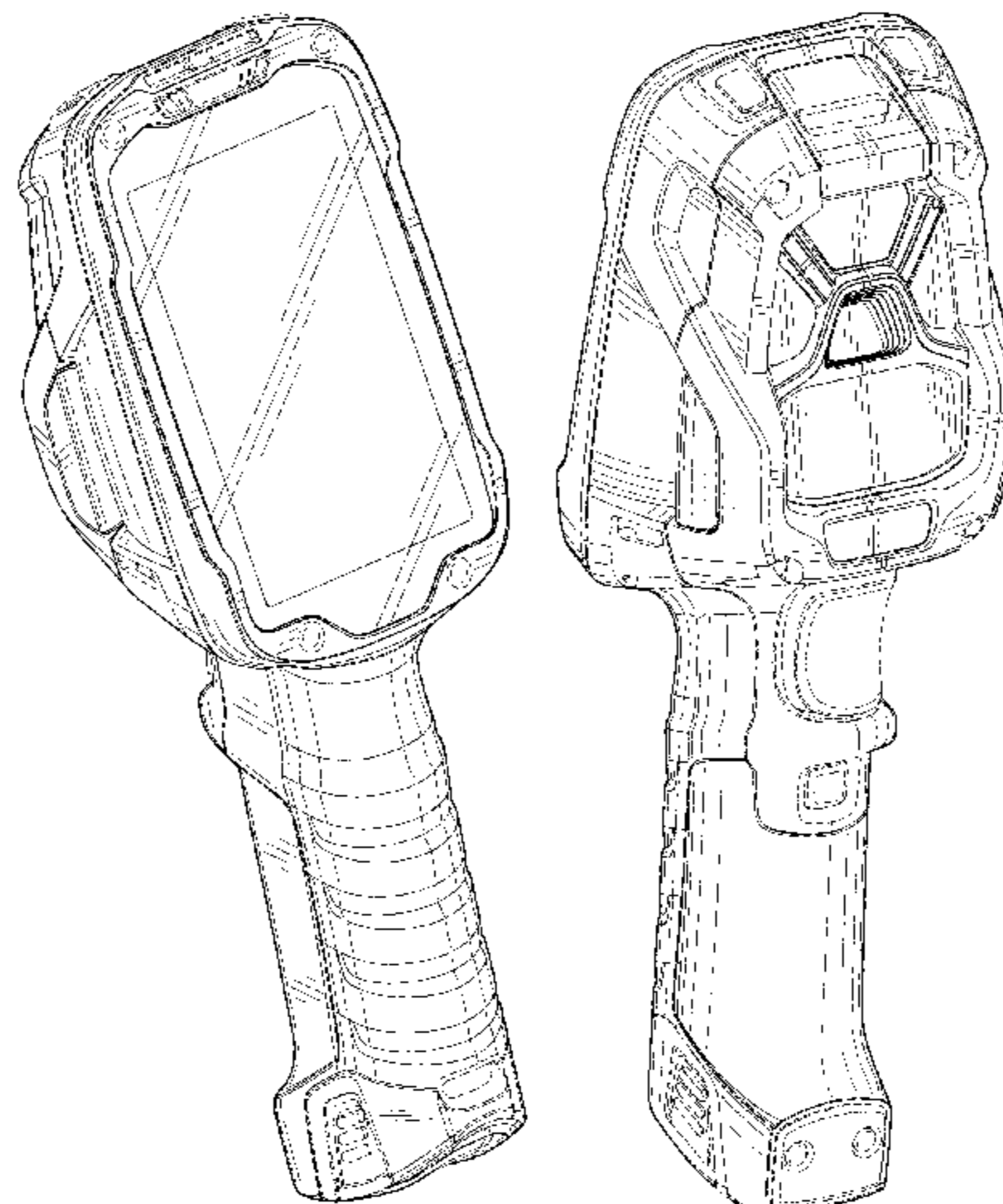
The ornamental design for a mobile computer device, as shown and described.

DESCRIPTION

FIG. 1 is a front perspective view of a mobile computer device;
FIG. 2 is a rear perspective view thereof;
FIG. 3 is a front view thereof;
FIG. 4 is a rear view thereof;
FIG. 5 is a left side view thereof;
FIG. 6 is a right side view thereof;
FIG. 7 is a top view thereof; and,
FIG. 8 is a bottom view thereof.

In drawing FIGS. 1-8, any broken lines and unshaded portions contained within broken lines, depict portions of the mobile computer device that form no part of the claimed design.

1 Claim, 7 Drawing Sheets



(58) **Field of Classification Search**

CPC .. 7/109; G06K 7/10722; G06K 7/1417; G06K 9/228; G06K 17/0022; G06K 17/00; G06K 2207/1011; G06K 2207/1013; G06K 2207/1016; G06K 2207/1018; G06K 2017/0051; G06K 2017/0067; G06K 2007/10524; G07G 1/0081; G07G 1/009; G06Q 20/20; G06Q 20/201; G06Q 20/202; G06Q 20/203; G06Q 20/30; G06Q 20/32; G06Q 20/322; G06Q 20/4014; G06Q 10/087; H04N 1/00127; H04N 1/00135; H04N 1/00326; H04N 1/00334; H04N 1/00307; H04N 1/107; H04N 2201/0084; H04N 2101/00; H04N 5/332; H04N 5/33; H04N 5/2251; H04N 5/2258; H04N 5/2256; H04N 5/23293; H04N 5/23203; H04N 5/2254; H04N 5/2252; H04N 5/2253; H04N 5/23229; H04N 5/3651; H04M 1/0249; H04M 1/0262; H04M 1/0266; H04M 1/18; H04M 1/23; H04M 1/236; H04B 1/3827; H04B 1/3833; H04B 1/3877; H04B 1/3883; H04B 1/3888; H04B 2001/3894; H01M 2/1066; G01J 5/025; G01J 5/0265; G01J 5/026; G01J 5/027; G01J 5/02; G01J 5/06; G01J 5/08; G01J 5/04; G01J 5/12; G01J 5/00; G01J 5/18; G01J 5/0834; G01J 5/522; G01J 5/0806; G01J 5/028; G01J 2005/0077; G01J 2005/0081; G02B 7/08; G02B 7/04; G01K 1/02; G01K 3/04; G03B 17/18; G03B 3/02; G03B 3/04; G03B 3/10

See application file for complete search history.

(56) **References Cited**

U.S. PATENT DOCUMENTS

6,486,473 B2 * 11/2002 Salapow H04N 5/2251
250/330
D466,540 S 12/2002 Lannestedt
6,502,754 B1 1/2003 Bhatia et al.
D472,911 S * 4/2003 Bielefeld D16/130
D481,053 S * 10/2003 Colburn D16/130
D493,733 S * 8/2004 Chen D10/57
D524,813 S 7/2006 Nakajima
7,093,974 B2 8/2006 Kienitz
7,157,705 B2 * 1/2007 Hamrelius G01J 5/025
250/330
D540,838 S 4/2007 Aronsson et al.
7,236,243 B2 6/2007 Beecroft
7,304,297 B1 * 12/2007 King G01J 5/522
250/252.1
D574,838 S 8/2008 Palmer
D583,263 S 12/2008 Sebban
D585,927 S 2/2009 Sheard
7,484,885 B1 * 2/2009 Carlson G01J 5/02
250/338.1
D594,361 S 6/2009 Miller
D599,392 S 9/2009 Hamelius
7,746,511 B2 6/2010 Hamilton et al.
D623,754 S 9/2010 Tuhkanen
7,867,019 B1 1/2011 Loukusa et al.
8,003,941 B1 * 8/2011 Heinke G01J 5/02
250/330
8,079,951 B2 12/2011 Yokota
8,136,984 B1 * 3/2012 Heinke G01J 5/025
136/200
D658,222 S 4/2012 Elrod et al.
D665,440 S 8/2012 Sigward

8,253,105 B1 * 8/2012 Warnke G01N 25/72
250/330
D666,928 S 9/2012 Elrod
D667,040 S 9/2012 Holmes
D668,561 S 10/2012 Dunkin
D671,121 S 11/2012 Schickling
D677,298 S 3/2013 Hallgren
D710,424 S 8/2014 Hallgren
D723,605 S 3/2015 Palm
D727,393 S 4/2015 Elrod
D729,247 S 5/2015 Hackett
D731,909 S 6/2015 Weakly
D733,783 S 7/2015 Wu
9,109,945 B1 * 8/2015 Warnke G06F 3/04847
D741,390 S 10/2015 Mayeur
D757,838 S * 5/2016 Laho D16/206
D763,261 S 8/2016 Choi et al.
2002/0162963 A1 11/2002 Lannestedt
2004/0124359 A1 7/2004 Hamrelius
2004/0264542 A1 * 12/2004 Kienitz G01J 5/02
374/120
2005/0024495 A1 2/2005 Hamrelius
2007/0106121 A1 5/2007 Yokota
2007/0131774 A1 6/2007 Celestini
2008/0116093 A1 5/2008 Von Felten
2008/0163504 A1 * 7/2008 Smith G01C 21/20
33/268
2008/0221930 A1 * 9/2008 Wekell A61B 5/02055
705/3
2009/0090864 A1 * 4/2009 Glatzmaier G01J 5/04
250/330
2009/0102925 A1 4/2009 Sheard
2009/0109283 A1 4/2009 Scott
2009/0125330 A1 * 5/2009 Sebban G06F 19/3406
705/3
2009/0225159 A1 9/2009 Schneider
2009/0257469 A1 * 10/2009 Jones G01J 5/00
374/133
2010/0046577 A1 2/2010 Sheard et al.
2010/0101569 A1 4/2010 Kim
2010/0148066 A1 6/2010 Stratmann
2010/0270469 A1 10/2010 Johnson
2011/0121978 A1 5/2011 Schworer
2012/0184872 A1 * 7/2012 Haik A61K 41/0052
600/549
2012/0224067 A1 9/2012 Stuart
2012/0314083 A1 12/2012 Ratliff
2012/0314084 A1 12/2012 Lammert
2012/0320189 A1 * 12/2012 Stuart G01J 5/025
348/135
2013/0083199 A1 4/2013 Choi
2013/0155188 A1 6/2013 Heinke
2013/0162835 A1 6/2013 Forland
2013/0188058 A1 7/2013 Nguyen
2013/0321638 A1 * 12/2013 Stratmann G06T 3/4061
348/162
2014/0002668 A1 1/2014 Nguyen
2014/0014728 A1 1/2014 Choi
2014/0028854 A1 1/2014 Heinke
2014/0042319 A1 2/2014 Pickett
2014/0160298 A1 6/2014 Johnson
2014/0160299 A1 6/2014 Mumaw
2014/0176725 A1 * 6/2014 Stuart G01J 5/025
348/164
2014/0184805 A1 7/2014 Schmidt
2014/0267353 A1 9/2014 Schmidt
2014/0267879 A1 9/2014 Loukusa
2015/0022667 A1 1/2015 McManus
2015/0098663 A1 4/2015 Heinke

OTHER PUBLICATIONS

“Notice of Allowance,” issued in connection with Design U.S. Appl. No. 29/453,478 on Apr. 7, 2016.
Design U.S. Appl. No. 29/546,340, filed Nov. 20, 2015.

* cited by examiner

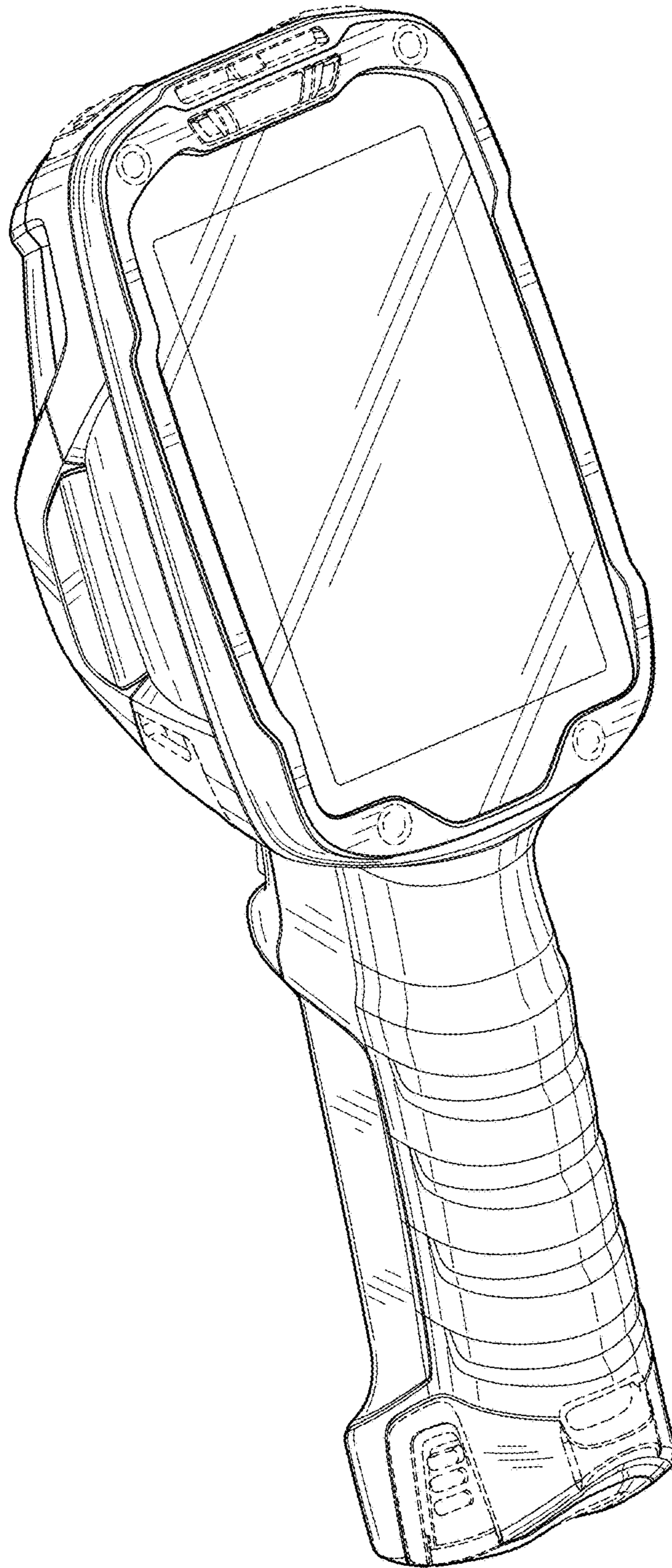


FIG. 1

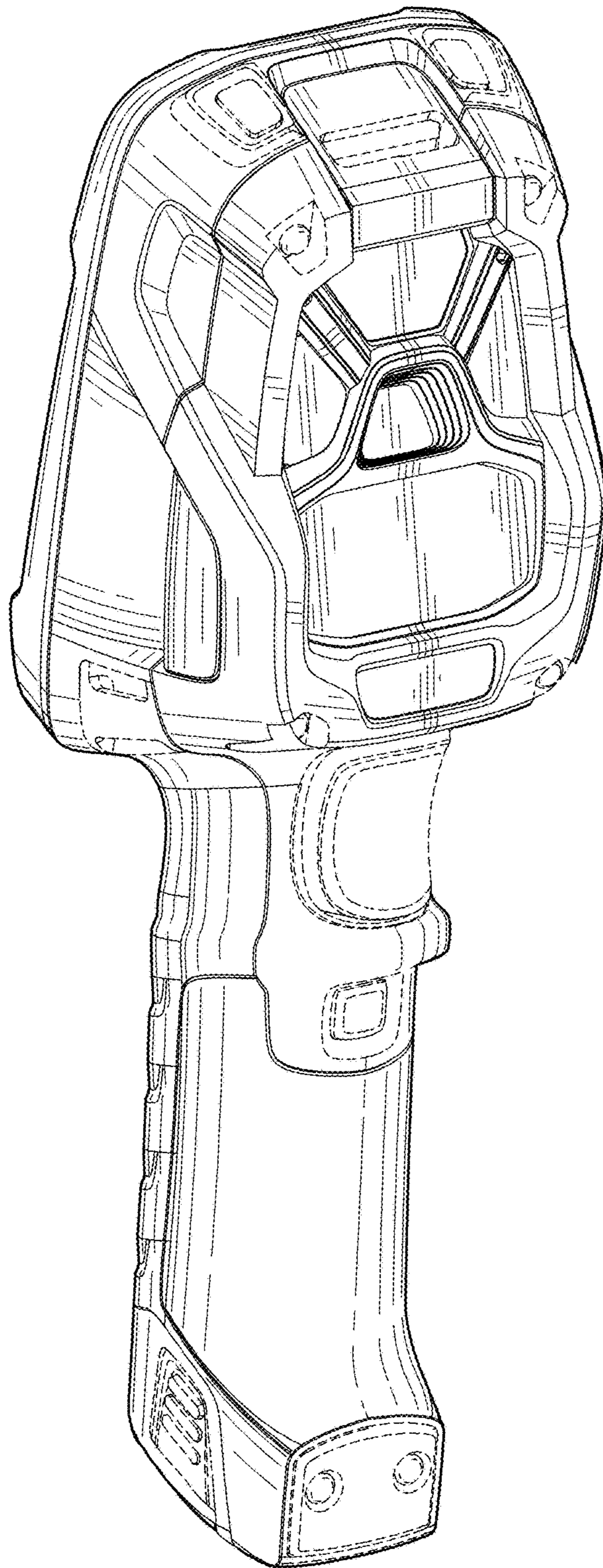


FIG. 2

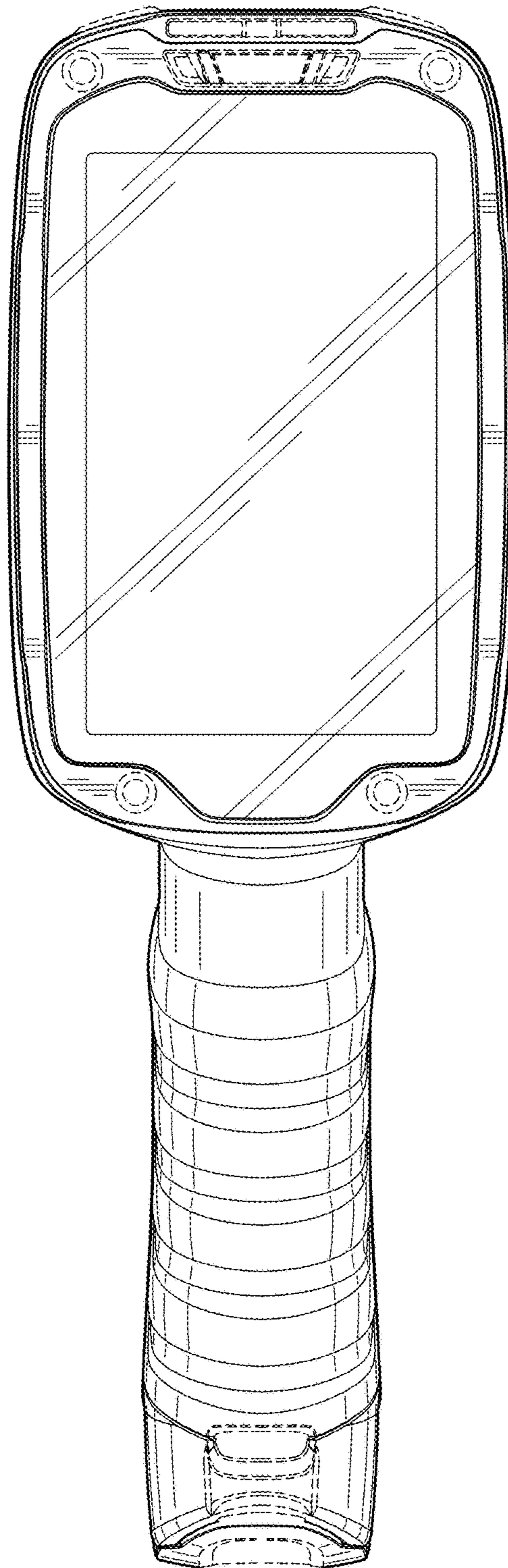


FIG. 3

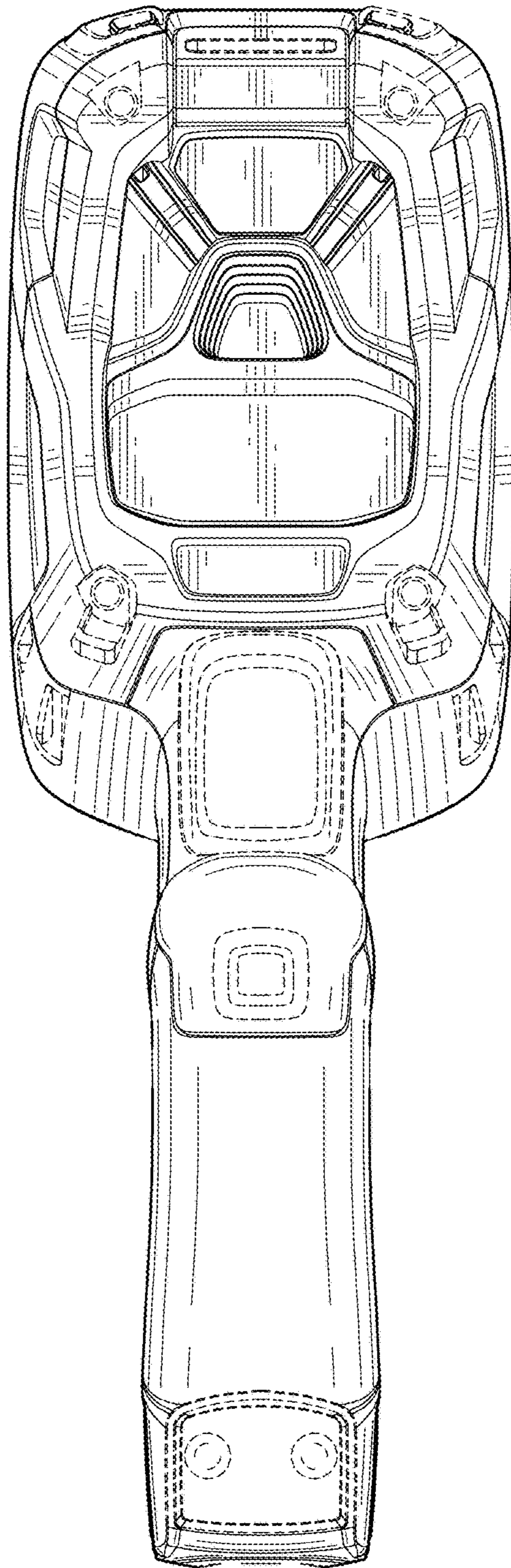


FIG. 4

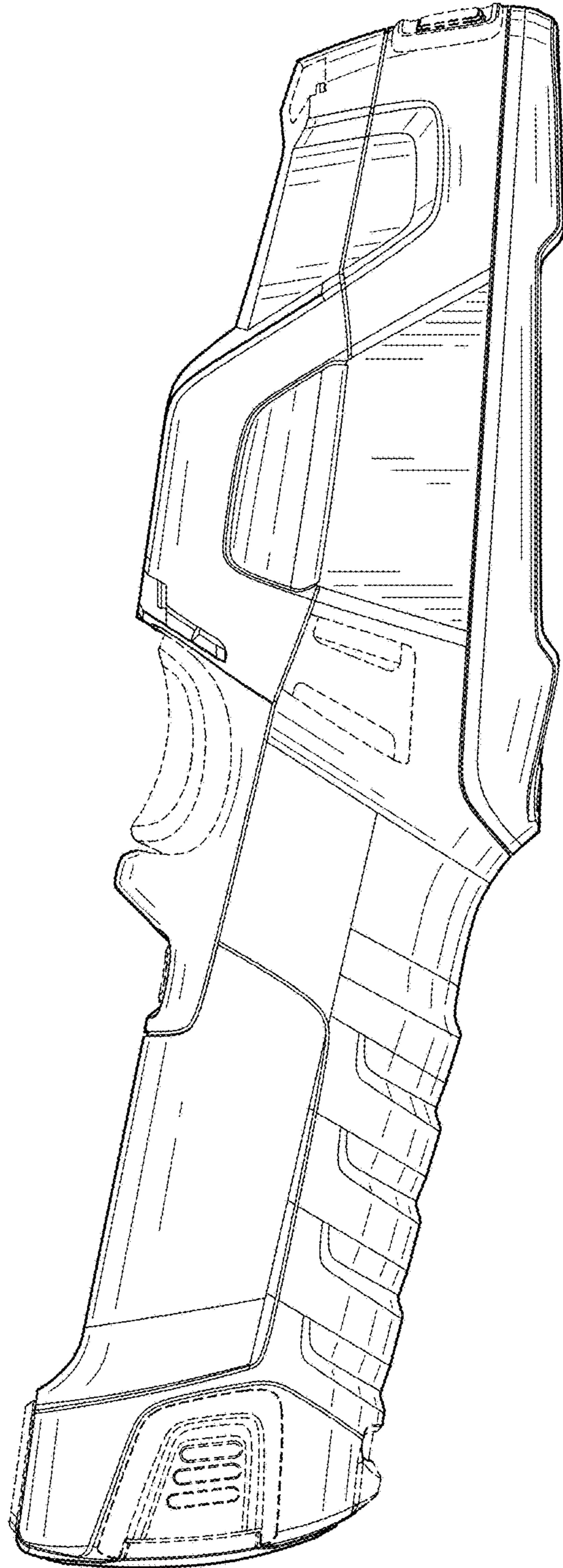


FIG. 5

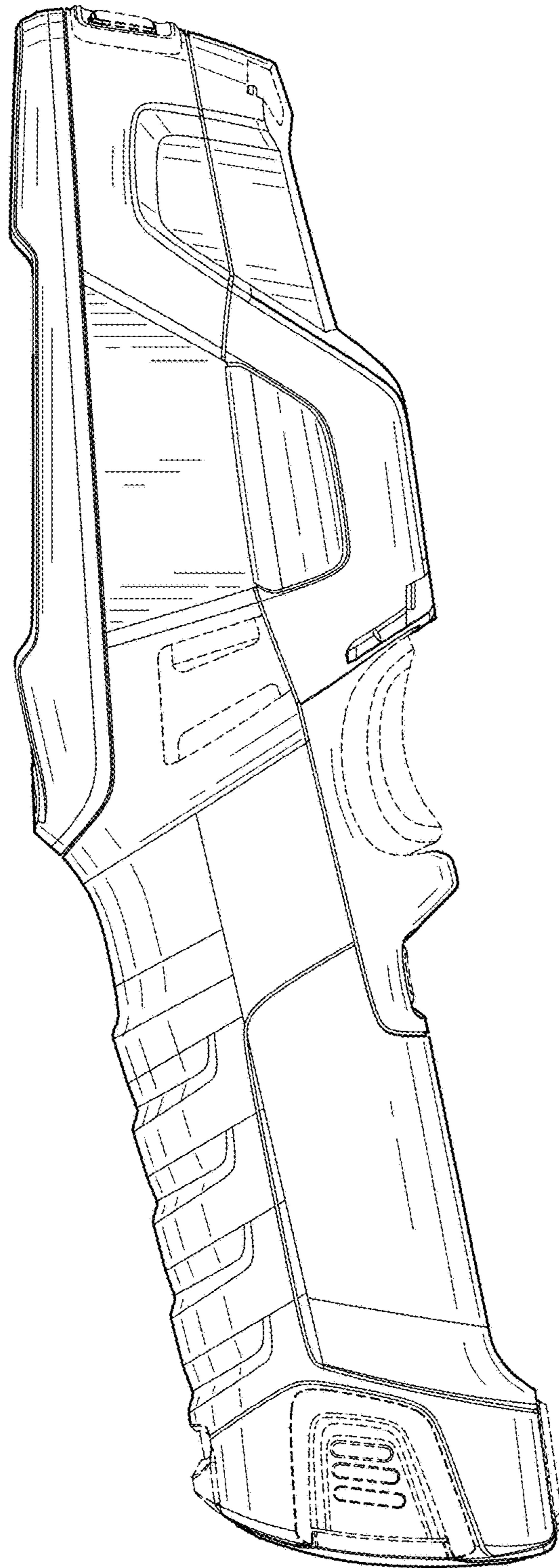


FIG. 6

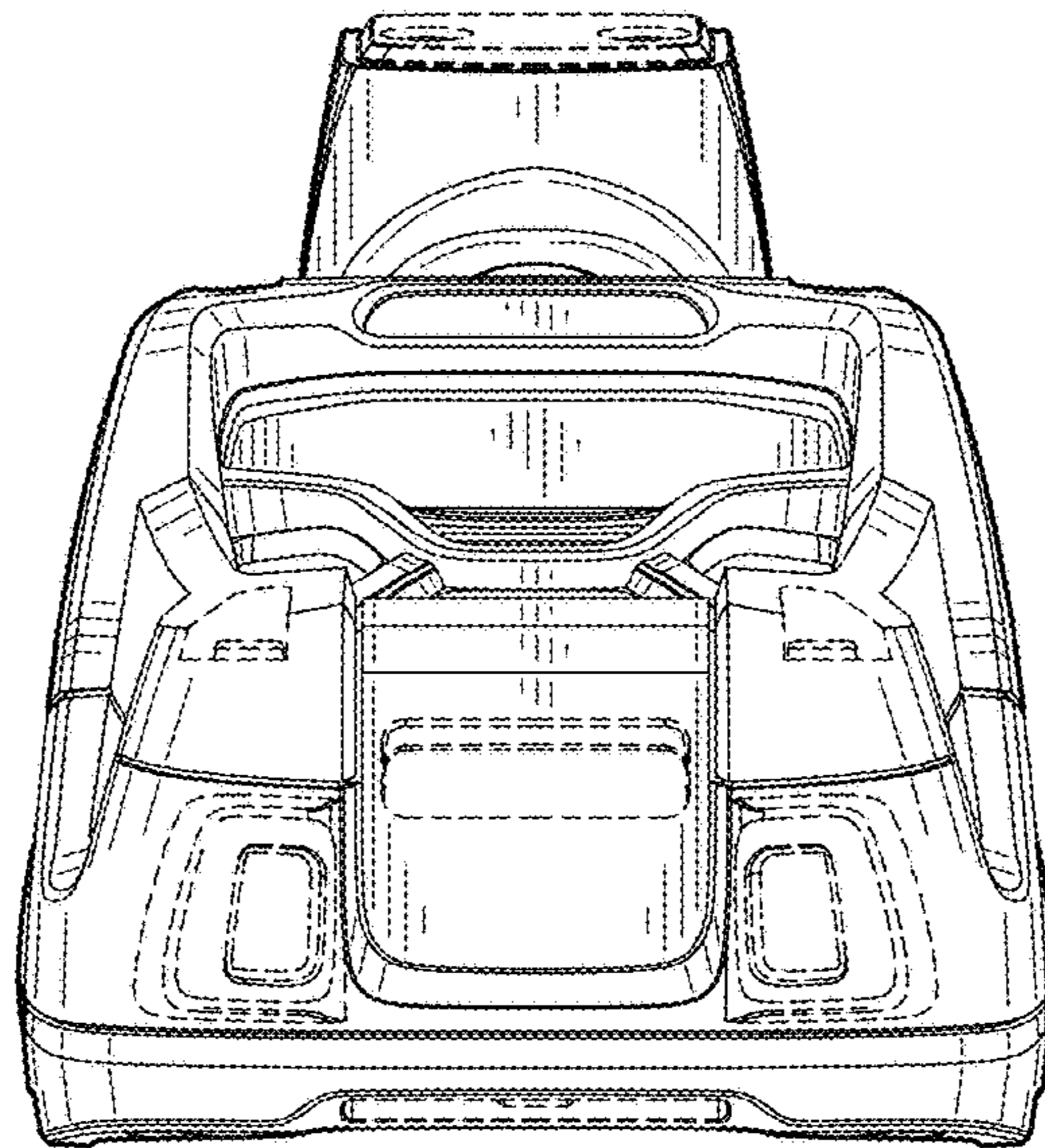


FIG. 7

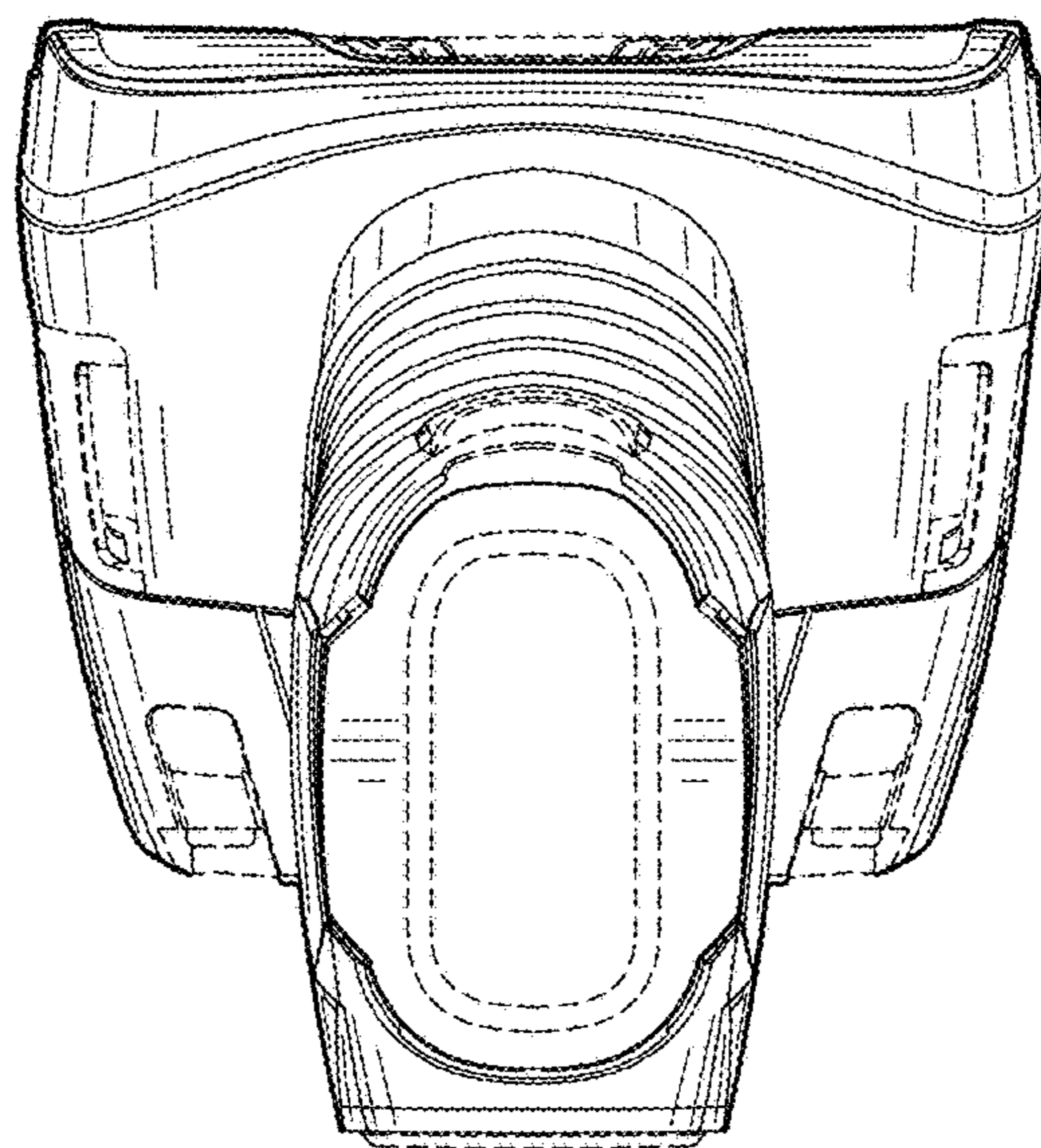


FIG. 8