



US00D781859S

(12) **United States Design Patent**  
**Magi**

(10) **Patent No.:** **US D781,859 S**  
(45) **Date of Patent:** **\*\* Mar. 21, 2017**

- (54) **STYLUS WITH INTEGRATED TOUCHSCREEN DISPLAY**
- (71) Applicant: **Intel Corporation**, Santa Clara, CA (US)
- (72) Inventor: **Aleksander Magi**, Aloha, OR (US)
- (73) Assignee: **Intel Corporation**, Santa Clara, CA (US)
- (\*\*) Term: **15 Years**
- (21) Appl. No.: **29/547,567**
- (22) Filed: **Dec. 4, 2015**
- (51) **LOC (10) Cl.** ..... **07-05**
- (52) **U.S. Cl.**  
USPC ..... **D14/411**
- (58) **Field of Classification Search**  
USPC ..... D14/372, 496, 432, 371, 125, 126, 129, D14/299, 411; D16/300-342; 351/158, 351/153, 144; 345/7-9, 905; 455/344; 348/115, 53, 121, 739  
CPC ..... G02B 27/017; G06F 3/016; G06F 3/033; G06F 3/0317; G06F 3/03545; G06F 3/041; G06K 9/222  
See application file for complete search history.

- D719,163 S \* 12/2014 Dowd ..... D14/411
- D720,348 S \* 12/2014 Robinson ..... D14/411
- D723,557 S \* 3/2015 Dowd ..... D14/411
- D737,275 S \* 8/2015 Dowd ..... D14/411
- D743,964 S \* 11/2015 Swessi ..... D14/411

\* cited by examiner

*Primary Examiner* — Austin Murphy  
(74) *Attorney, Agent, or Firm* — Patent Capital Group

(57) **CLAIM**

The ornamental design for a stylus with integrated touchscreen display, as shown and described.

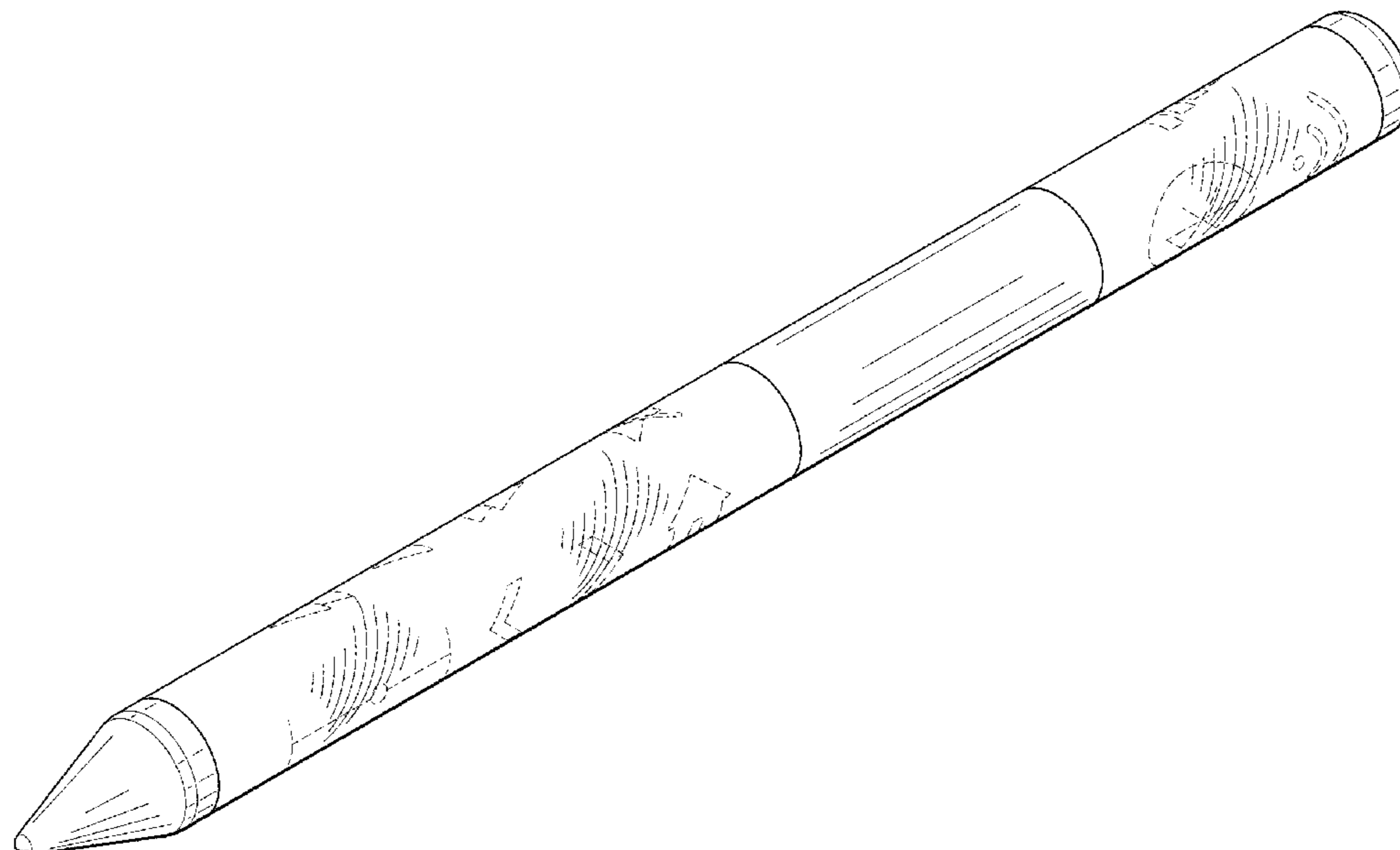
**DESCRIPTION**

FIG. 1 is a perspective view illustrating a design for a stylus with integrated touchscreen display according to one embodiment;  
FIG. 2 is a top view thereof;  
FIG. 3 is a bottom view thereof;  
FIG. 4 is a side view thereof;  
FIG. 5 is another side view thereof;  
FIG. 6 is a back view thereof;  
FIG. 7 is a front view thereof; and,  
FIG. 8 is a perspective view illustrating a design for a stylus with integrated touchscreen display according to another embodiment.

The broken lines and the unshaded regions bounded by broken lines of the preceding FIGURES illustrate boundaries for the FIGURES; however, the broken lines and the unshaded regions bounded by broken lines form no part of the claimed design. Non-oblique line shading is meant to show contour and not surface ornamentation.

**1 Claim, 5 Drawing Sheets**

- (56) **References Cited**  
U.S. PATENT DOCUMENTS  
D670,699 S \* 11/2012 Sato ..... D14/411  
D697,916 S \* 1/2014 Dowd ..... D14/411  
D715,298 S \* 10/2014 Hong ..... D14/411



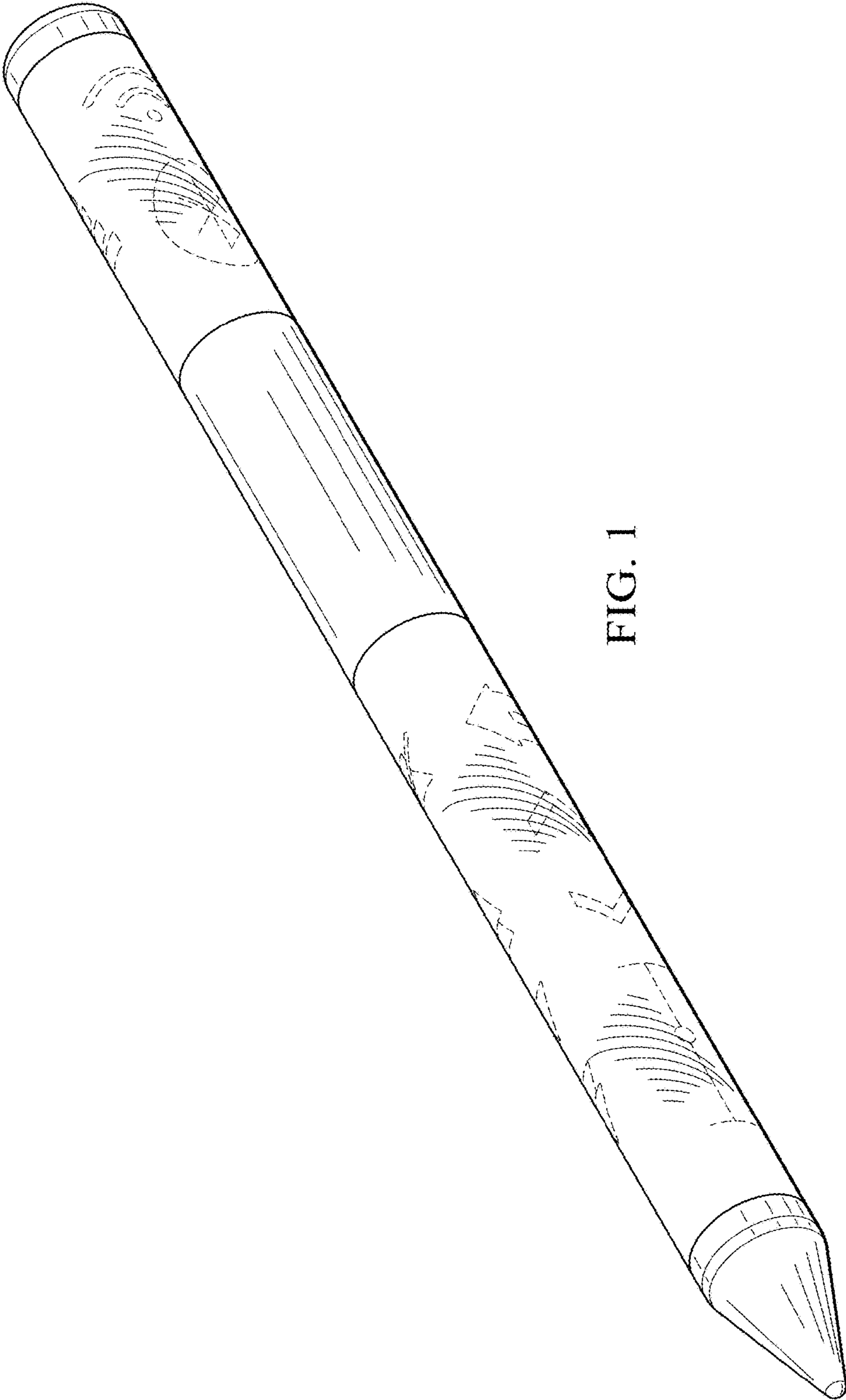


FIG. 1

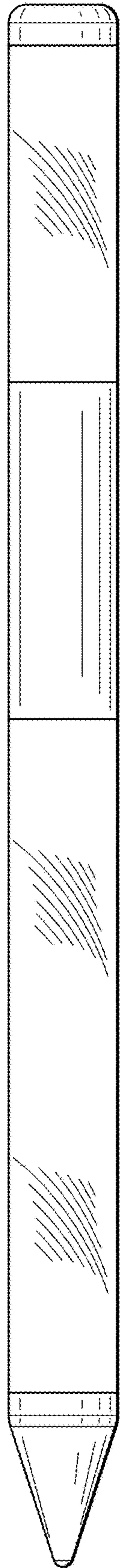


FIG. 2



FIG. 3

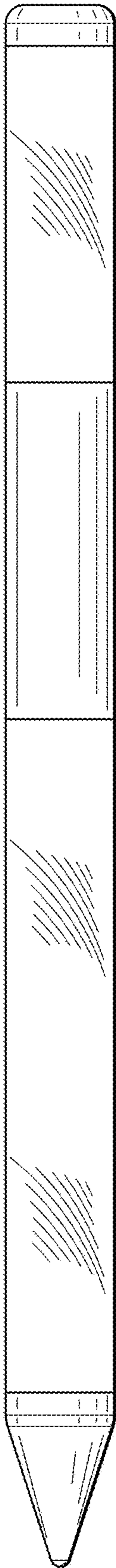


FIG. 4



FIG. 5

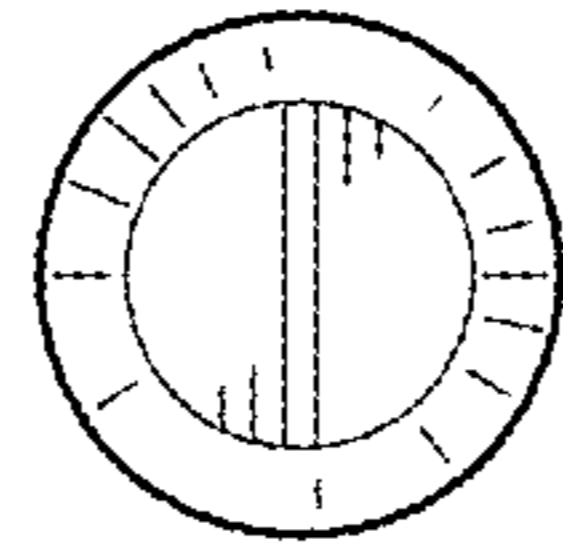


FIG. 6

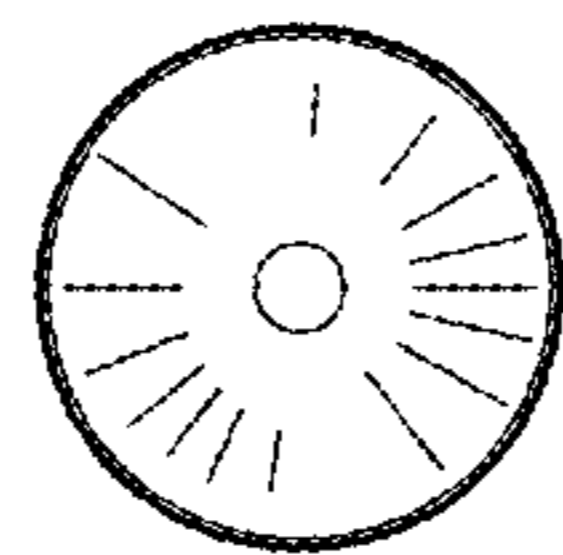


FIG. 7

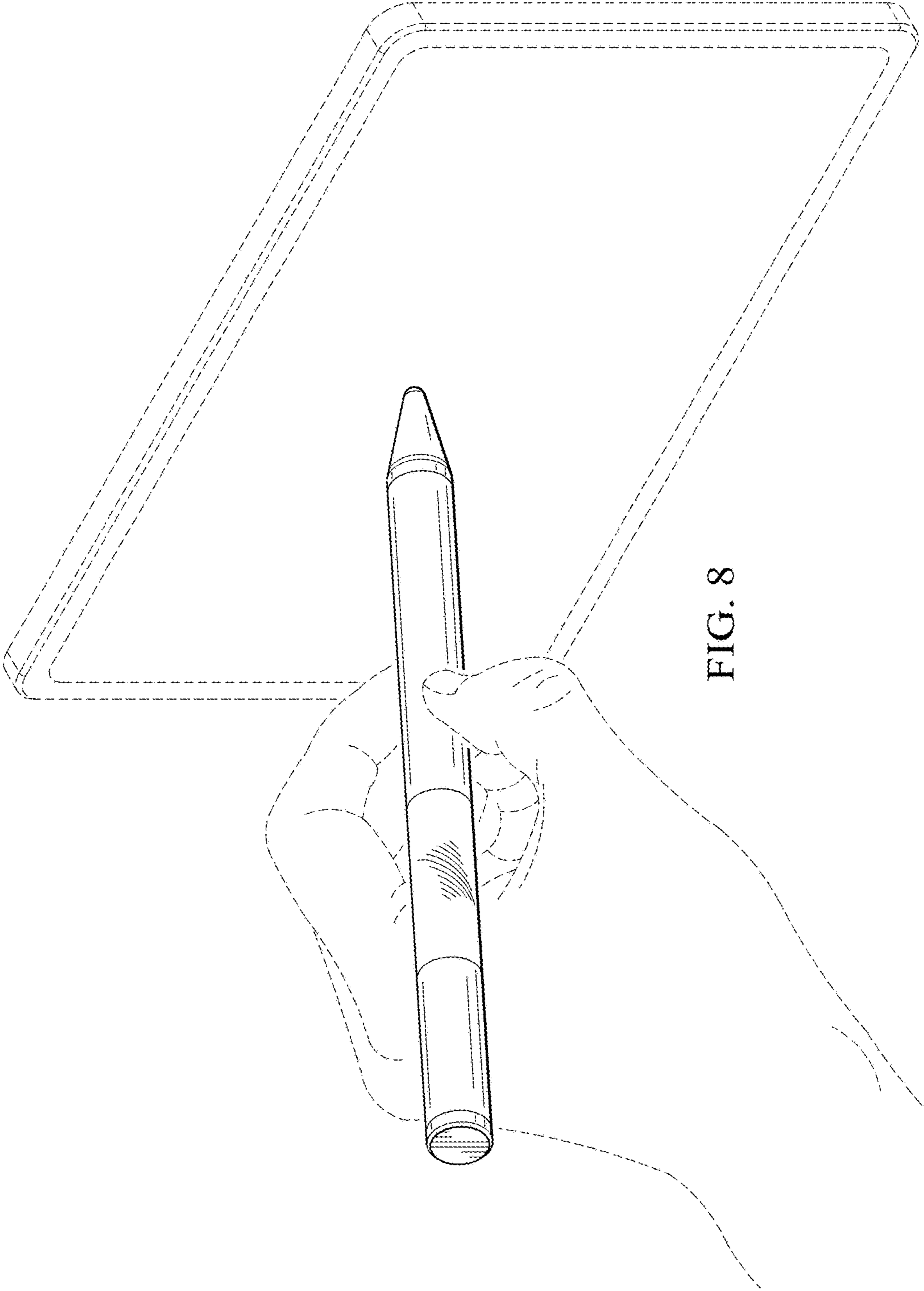


FIG. 8