



US00D781858S

(12) **United States Design Patent** (10) **Patent No.:** **US D781,858 S**
Lee (45) **Date of Patent:** **** Mar. 21, 2017**

(54) **DATA INPUT DEVICE FOR COMPUTER**

(71) Applicants: **Yun Jae Lee**, Seoul (KR); **Goonies Co., Ltd.**, Seoul (KR)

(72) Inventor: **Yun Jae Lee**, Seoul (KR)

(73) Assignees: **Yun Jae Lee**, Seoul (KR); **GOONIES CO., LTD.**, Seoul (KR)

(**) Term: **14 Years**

(21) Appl. No.: **29/518,338**

(22) Filed: **Feb. 23, 2015**

(30) **Foreign Application Priority Data**

Dec. 23, 2014 (KR) 30-2014-0062586

(51) **LOC (10) Cl.** **14-02**

(52) **U.S. Cl.**
USPC **D14/399**

(58) **Field of Classification Search**

USPC D14/388, 389, 390, 391, 320, 331, 333,
D14/334, 338, 339, 341, 346, 356, 347,
D14/379, 380, 384, 218; D13/162, 164,
D13/168, 184, 123; D18/12, 12.2, 52;
D21/324, 333; D10/78

CPC G06F 3/02; G06F 3/0202; G06F 3/0219;
G06F 3/0234; G06F 3/002; G06F 3/016;
G06F 1/1662; G06F 1/1664; G06F
1/1666; G06F 1/1669; G06F 1/1671;
G06F 1/1673; H04M 1/23

See application file for complete search history.

(56) **References Cited**

U.S. PATENT DOCUMENTS

D291,787 S * 9/1987 Sheldon D10/103
D308,832 S * 6/1990 Shields, Jr. D10/78

D462,354 S * 9/2002 Kimbre D14/392
D480,726 S * 10/2003 Yokota D14/396
D490,076 S * 5/2004 Griffin D14/346
D492,310 S * 6/2004 Chien D14/398
D496,634 S * 9/2004 Tseng D13/168
D497,882 S * 11/2004 Huang D13/168
D533,172 S * 12/2006 Lee D14/240
D533,173 S * 12/2006 Lee D14/247
D552,668 S * 10/2007 Hattori D18/19
D557,264 S * 12/2007 Richardson D14/398
D629,393 S * 12/2010 Chiu D14/218
D631,048 S * 1/2011 Adriano D14/399
D633,478 S * 3/2011 Bolton D14/218
D633,910 S * 3/2011 Cacioppo D14/218
D653,653 S * 2/2012 Fang D14/218
D671,917 S * 12/2012 Gibbens, Jr. D14/218
D690,695 S * 10/2013 Butterworth D14/218
D691,136 S * 10/2013 Griffin D14/392

(Continued)

Primary Examiner — Susan Bennett Hattan

Assistant Examiner — Marie Fast Horse

(74) *Attorney, Agent, or Firm* — Cantor Colburn LLP

(57) **CLAIM**

The ornamental design for a data input device for computer, as shown and described.

DESCRIPTION

FIG. 1 is a top side perspective view of a data input device for computer showing my new design;
FIG. 2 is a front elevational view thereof;
FIG. 3 is a rear elevational view thereof;
FIG. 4 is a left side elevational view thereof;
FIG. 5 is a right side elevational view thereof;
FIG. 6 is a top plan view thereof;
FIG. 7 is a bottom plan view thereof; and,
FIG. 8 is a bottom side perspective view thereof.

1 Claim, 6 Drawing Sheets

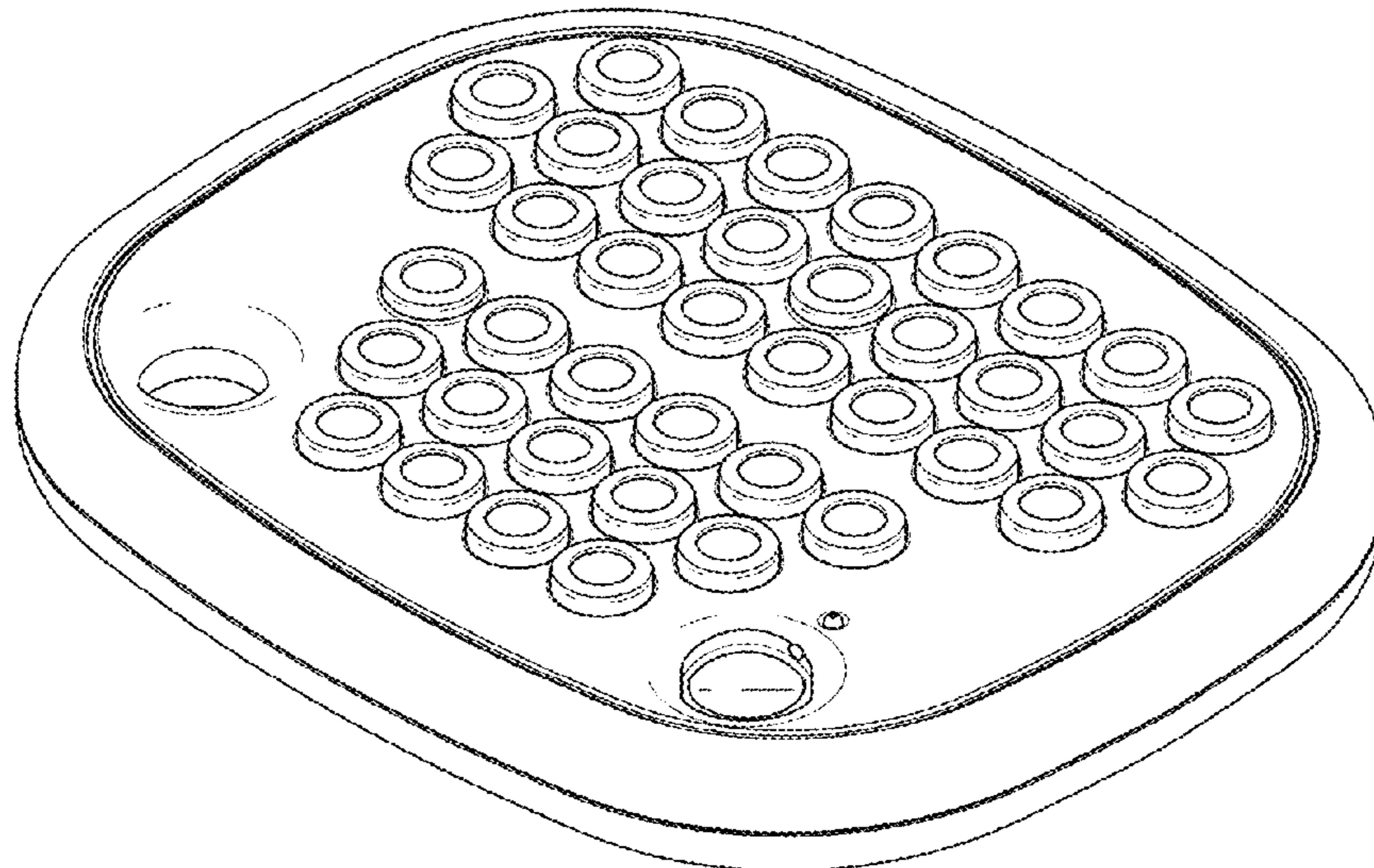


FIG. 1

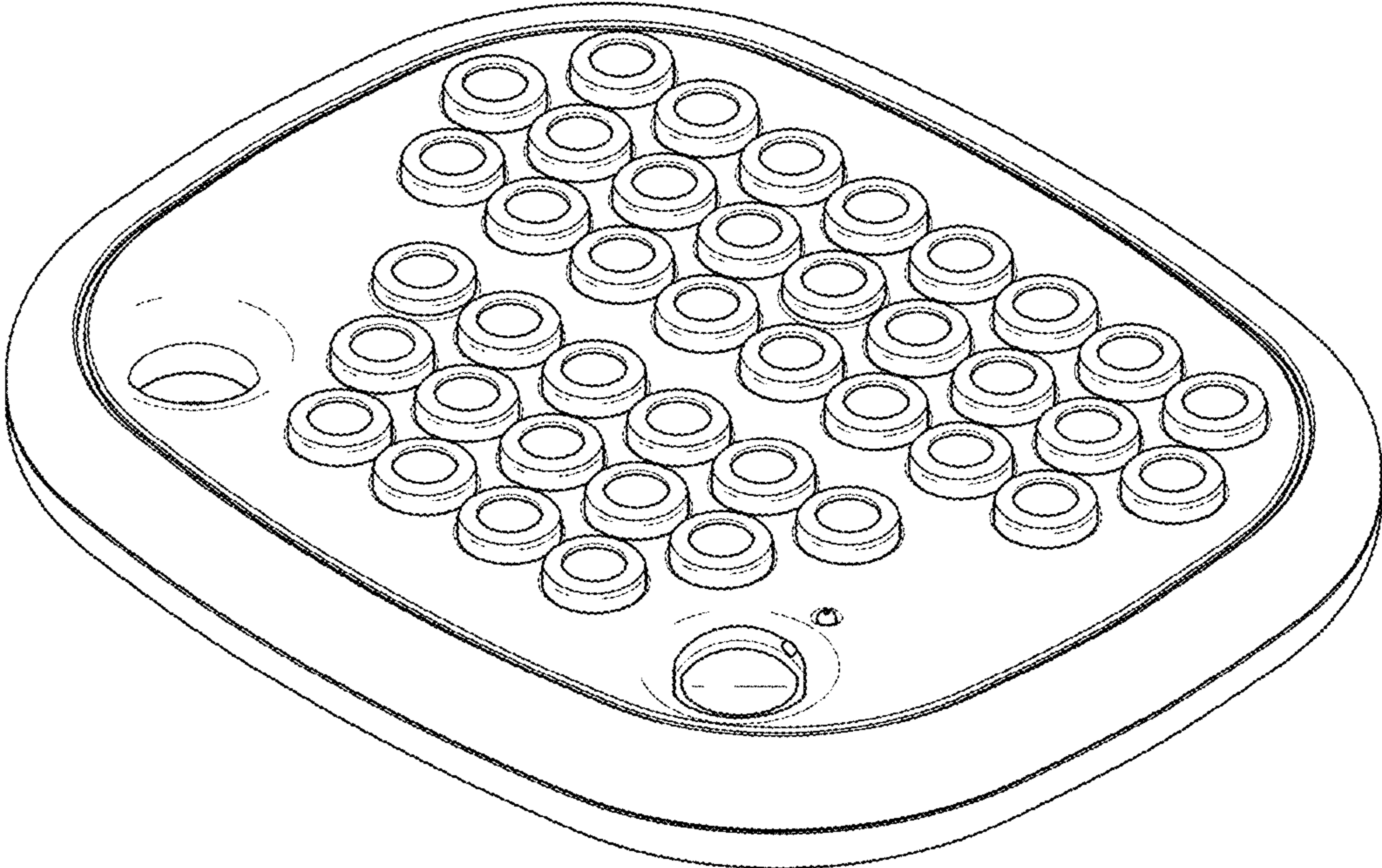


FIG. 2

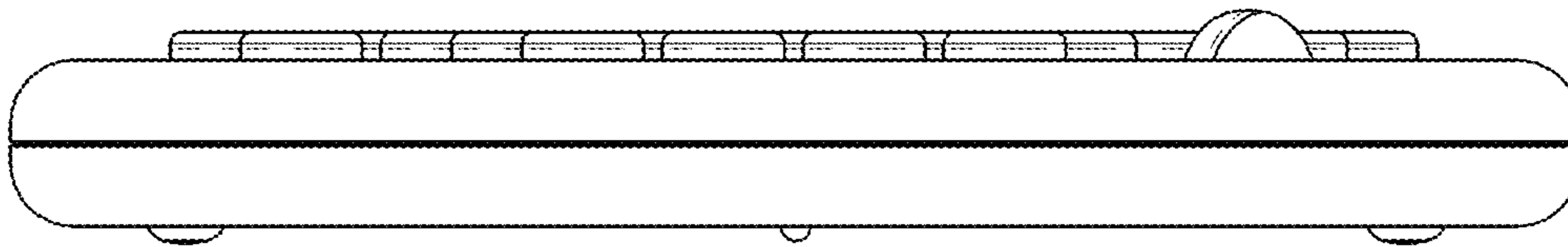


FIG. 3

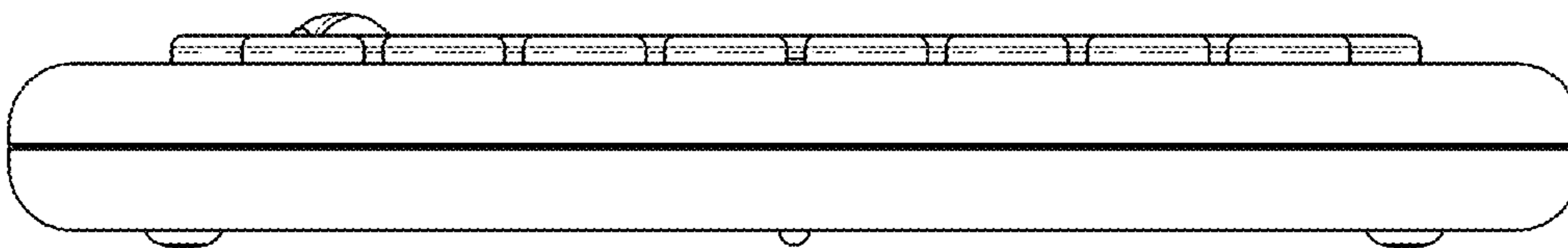


FIG. 4

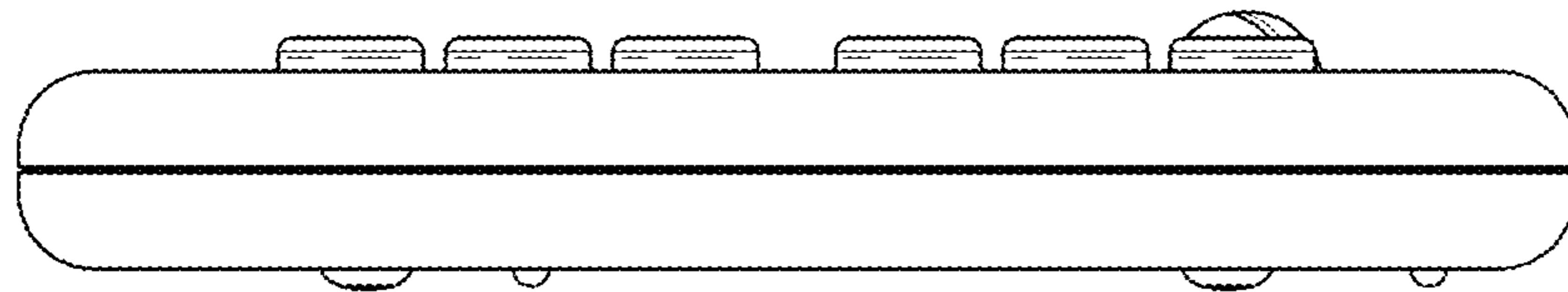


FIG. 5

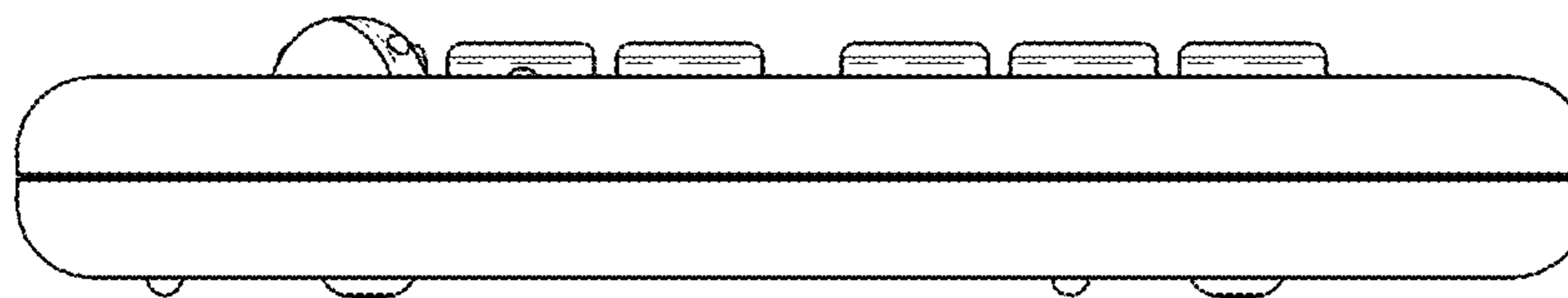


FIG. 6

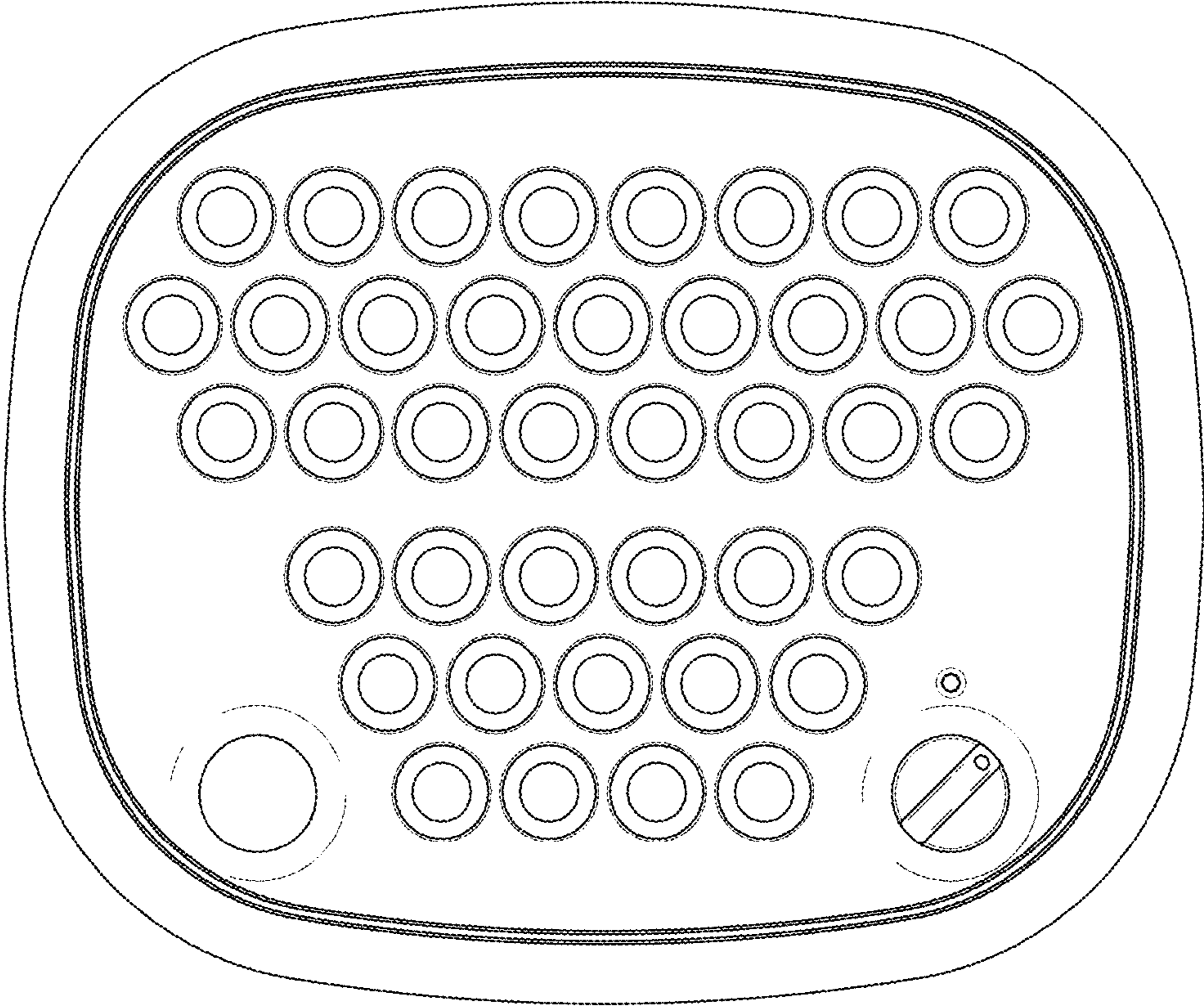


FIG. 7

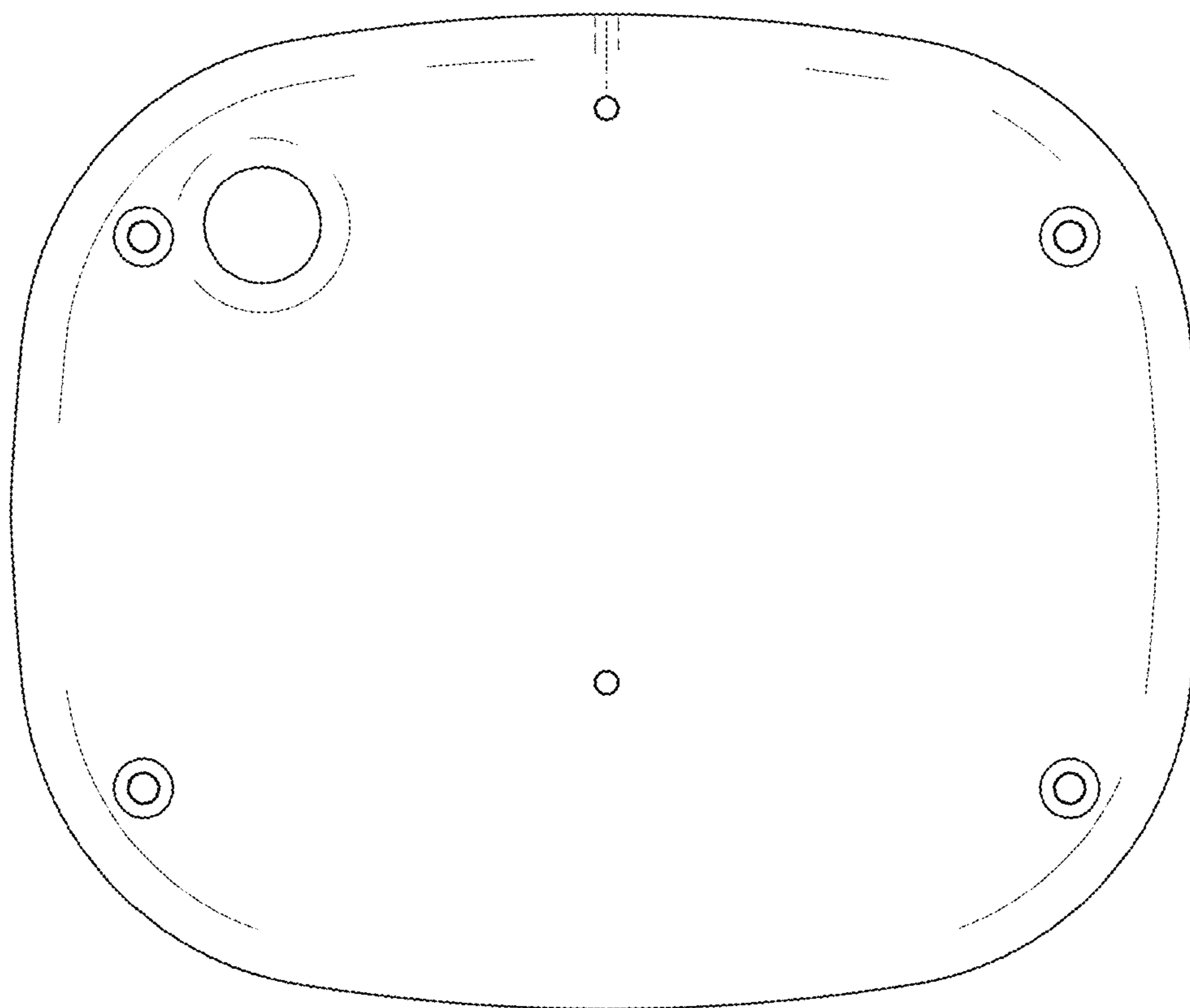


FIG. 8

