



US00D781857S

(12) **United States Design Patent**
Drabant

(10) **Patent No.:** **US D781,857 S**
(45) **Date of Patent:** **** Mar. 21, 2017**

- (54) **LINEAR MODULAR INFORMATION DISPLAY**
- (71) Applicant: **Nanolumens Acquisition, Inc.**,
Norcross, GA (US)
- (72) Inventor: **Stephen J. Drabant**, Lawrenceville,
GA (US)
- (73) Assignee: **Nanolumens Acquisition, Inc.**,
Norcross, GA (US)
- (**) Term: **15 Years**
- (21) Appl. No.: **29/548,465**
- (22) Filed: **Dec. 14, 2015**
- (51) **LOC (10) Cl.** **14-02**
- (52) **U.S. Cl.**
USPC **D14/371**
- (58) **Field of Classification Search**
USPC D14/371-375, 125-129, 336, 337, 341;
341/12; 345/104, 156, 168, 173;
(Continued)

(56) **References Cited**

U.S. PATENT DOCUMENTS

- 1,794,572 A * 3/1931 Wyatt C04B 28/02
264/DIG. 57
- D251,335 S * 3/1979 Carrier D20/10
(Continued)

Primary Examiner — Freda S Nunn

(74) *Attorney, Agent, or Firm* — Theodore Heske, III

(57) **CLAIM**

The ornamental design for a linear modular information display, as shown and described.

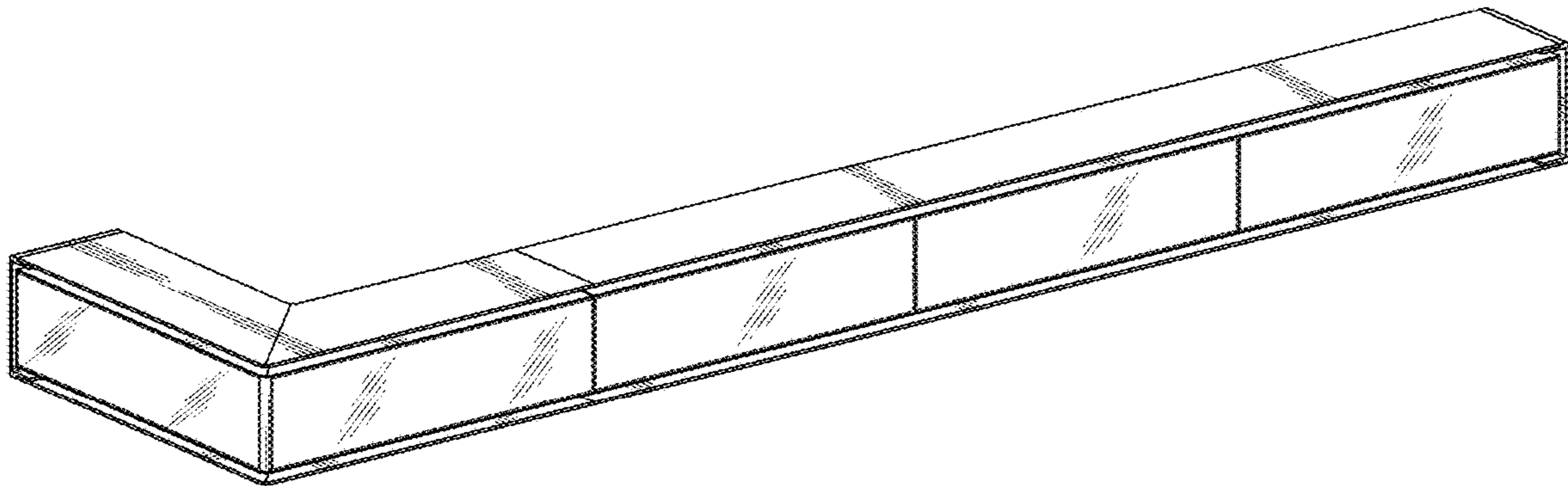
DESCRIPTION

FIG. 1 is a perspective view of a linear modular information display showing our new design;

FIG. 2 is a front elevation view thereof;
 FIG. 3 is a back elevation view thereof;
 FIG. 4 is a left elevation view thereof the right elevation view being a mirror image of this view.
 FIG. 5 is a top plan view thereof; the bottom plan view being a mirror image of this view.
 FIG. 6 is a perspective view of a second embodiment thereof;
 FIG. 7 is a front elevation view thereof;
 FIG. 8 is a back elevation view thereof;
 FIG. 9 is a left elevation view thereof;
 FIG. 10 is a right elevation view thereof;
 FIG. 11 is a top plan view thereof, the bottom plan view being a mirror image thereof.
 FIG. 12 is a perspective view of a third embodiment thereof;
 FIG. 13 is a front elevation view thereof;
 FIG. 14 is a back elevation view thereof;
 FIG. 15 is a left elevation view thereof; the right elevation view being a mirror image of this view.
 FIG. 16 is a top plan view thereof; the bottom plan view being a mirror image of this view.
 FIG. 17 is a perspective view of a fourth embodiment thereof;
 FIG. 18 is a front elevation view thereof;
 FIG. 19 is a back elevation view thereof;
 FIG. 20 is a left elevation view thereof;
 FIG. 21 is a right elevation view thereof; and,
 FIG. 22 is a top plan view thereof, the bottom plan view being a mirror image thereof.

The lines shown broken away indicate that the linear modular information display is of indeterminate length and the appearance of any portion of the article between the break lines forms no part of the claimed design, all broken lines shown in the disclosure represent environment only and form no part of the claimed design.

1 Claim, 8 Drawing Sheets



(58) **Field of Classification Search**

USPC 348/180, 184, 325, 739; 349/1, 2, 11, 62;
361/679.05-679.07, 679.21; D6/300,
D6/301, 308, 310; D16/241; D25/113,
D25/118; D21/385; D10/114.3; D20/10,
D20/17
CPC G06F 1/16; G06F 1/1601; G06F 3/037;
G06F 1/162; G06F 1/1626; G06F 1/1652;
G06F 1/1656; G06F 1/1613; G09G
2380/02; G09G 2340/0464; G09G
2320/0238; H05K 5/0017; H05K 5/0217;
H05K 1/028; G02F 1/133305; G02F
1/133308

See application file for complete search history.

(56) **References Cited**

U.S. PATENT DOCUMENTS

D271,861	S	*	12/1983	Patton	D20/10
D281,790	S	*	12/1985	Cobbe	D20/10
D326,826	S	*	6/1992	Trimble, Jr.	D10/114.3
D355,675	S	*	2/1995	Craig	D20/10
D386,801	S	*	11/1997	Orgovan	D20/10
6,557,283	B1	*	5/2003	Canfield	G09F 13/04 40/545
D476,039	S	*	6/2003	Forman	D20/17

* cited by examiner

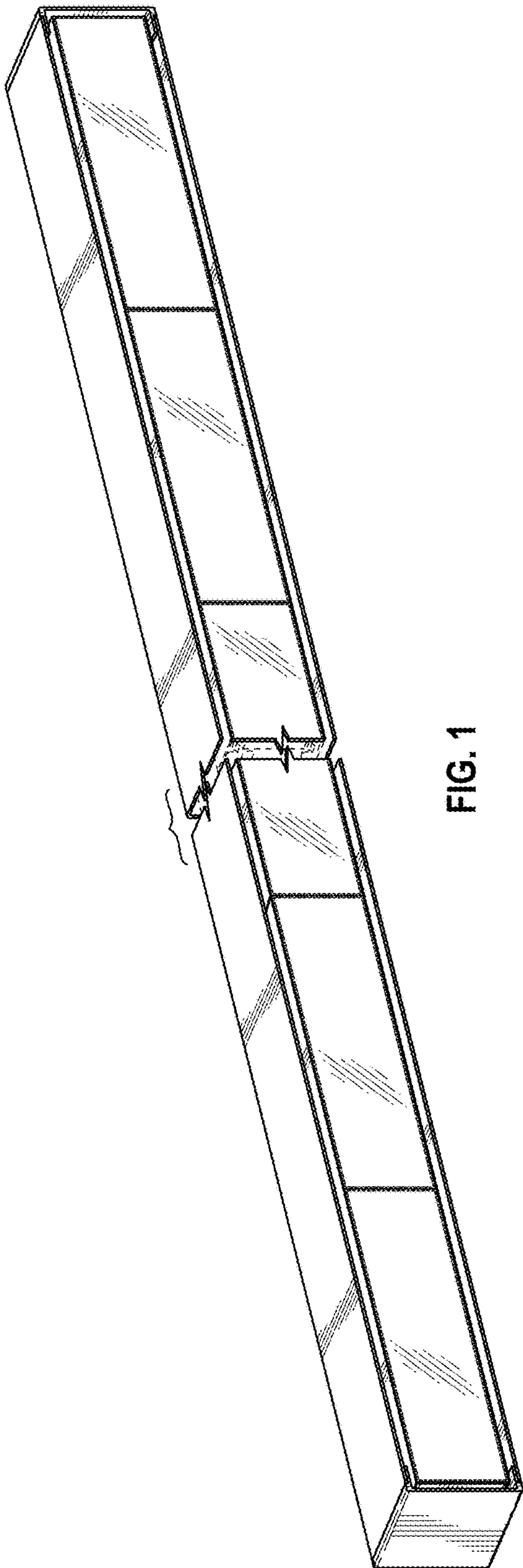


FIG. 1

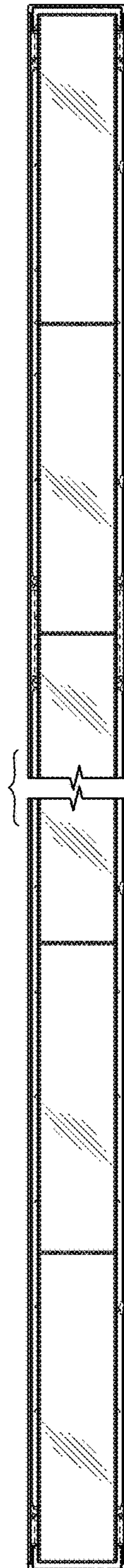


FIG. 2

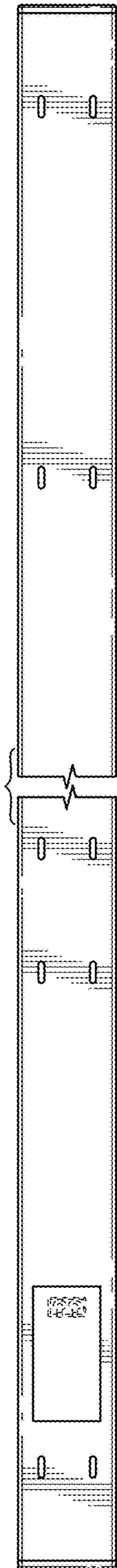


FIG. 3

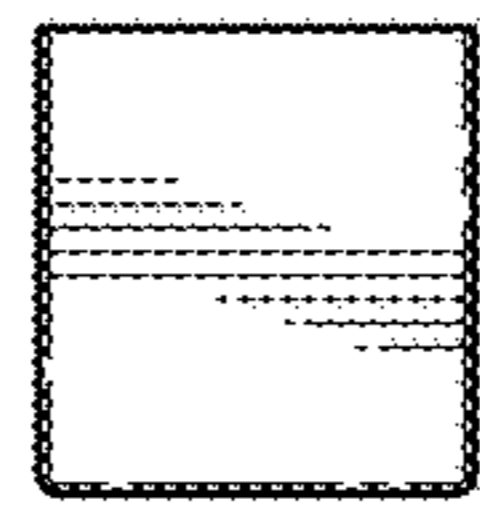


FIG. 4

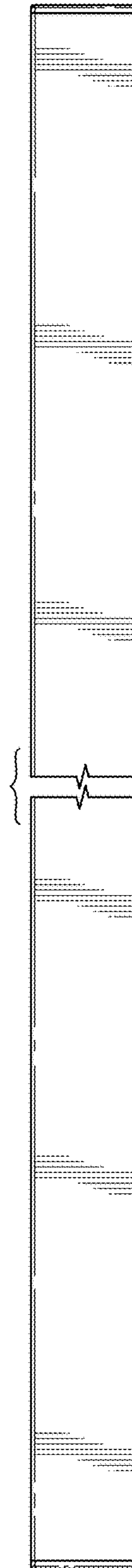
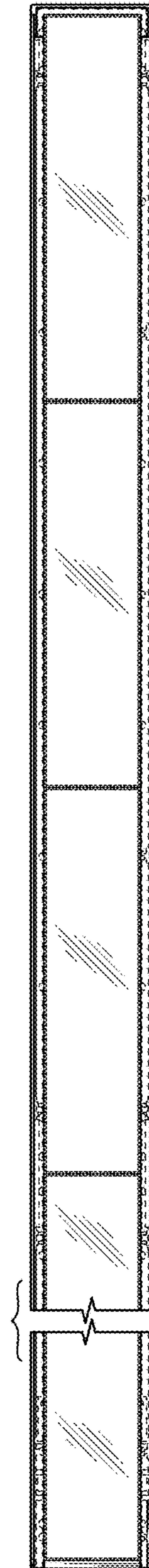
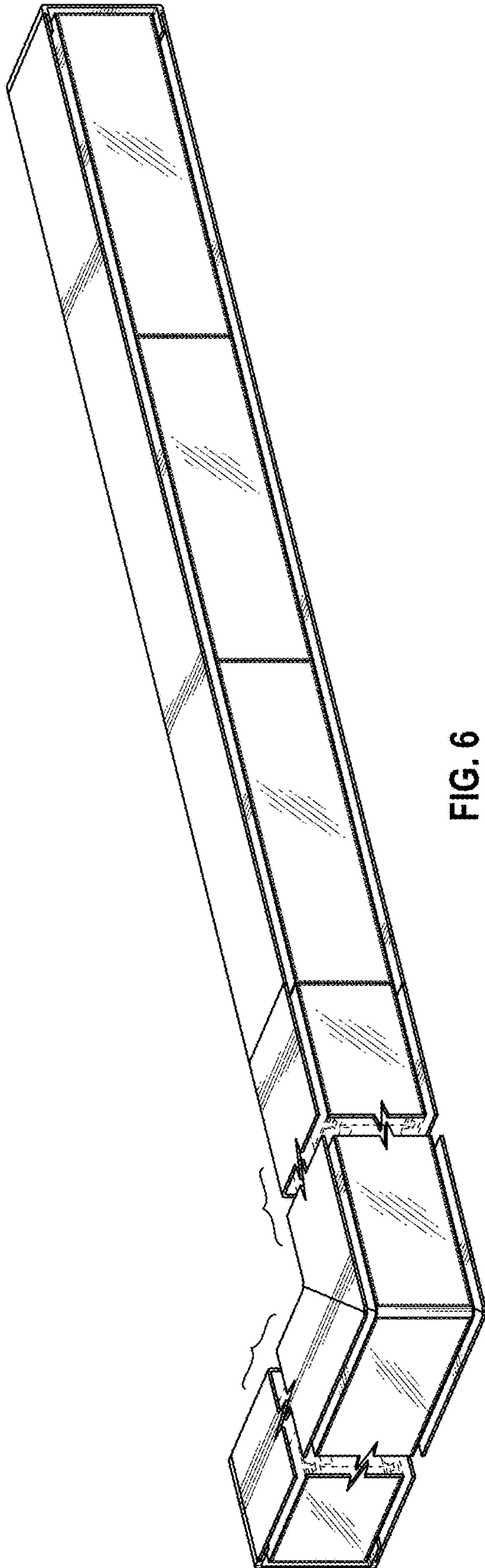


FIG. 5



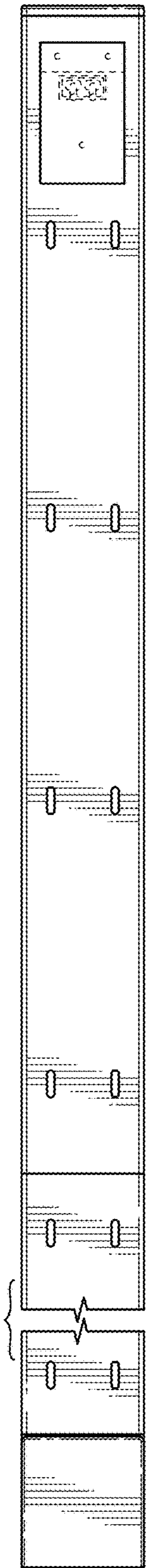


FIG. 8

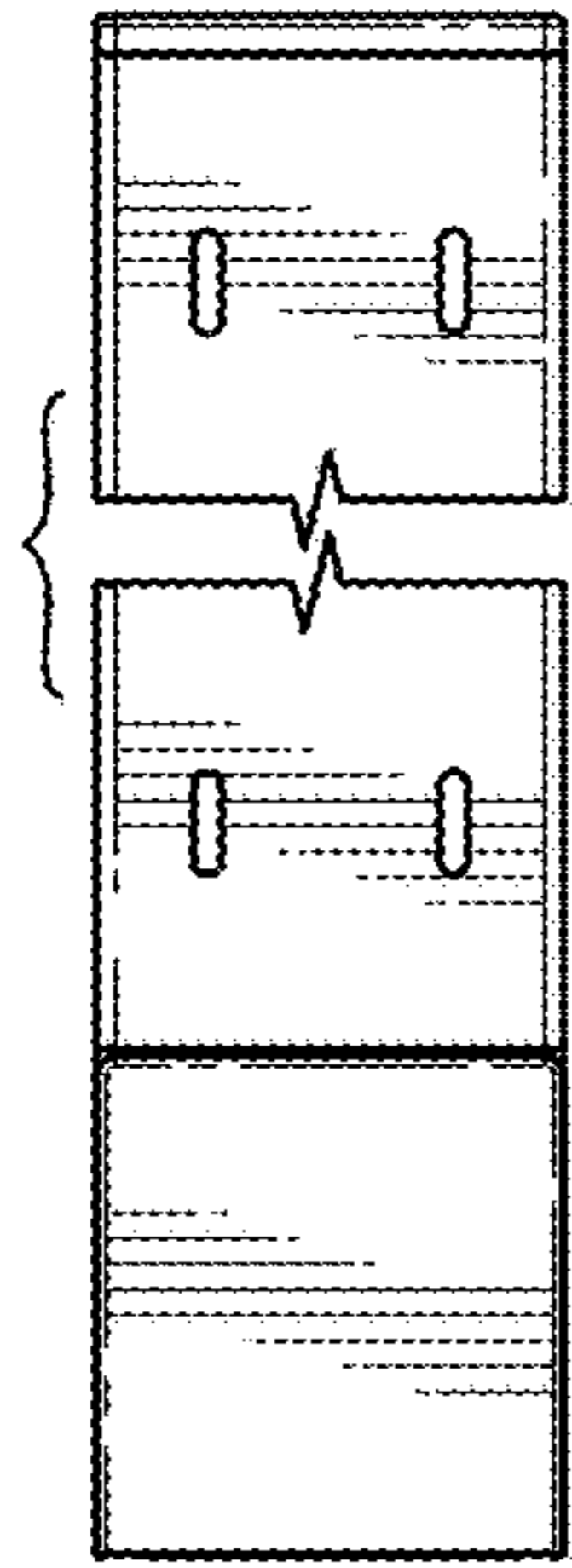


FIG. 9

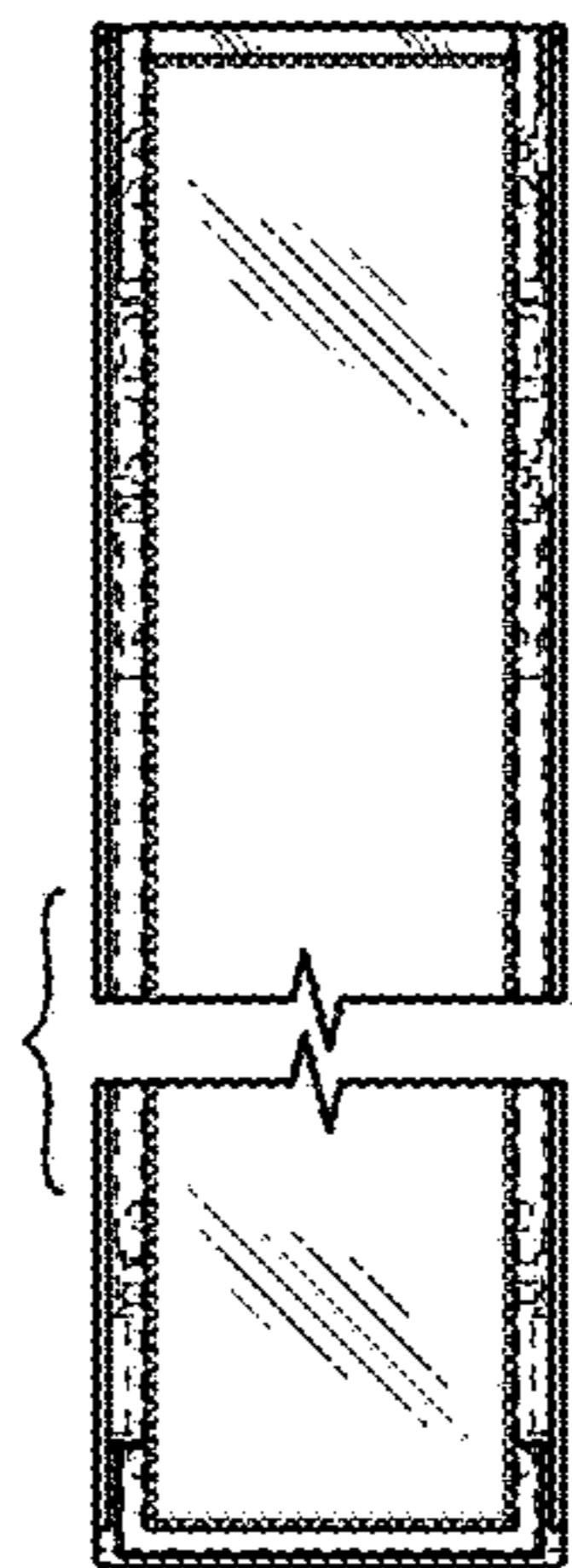


FIG. 10



FIG. 11

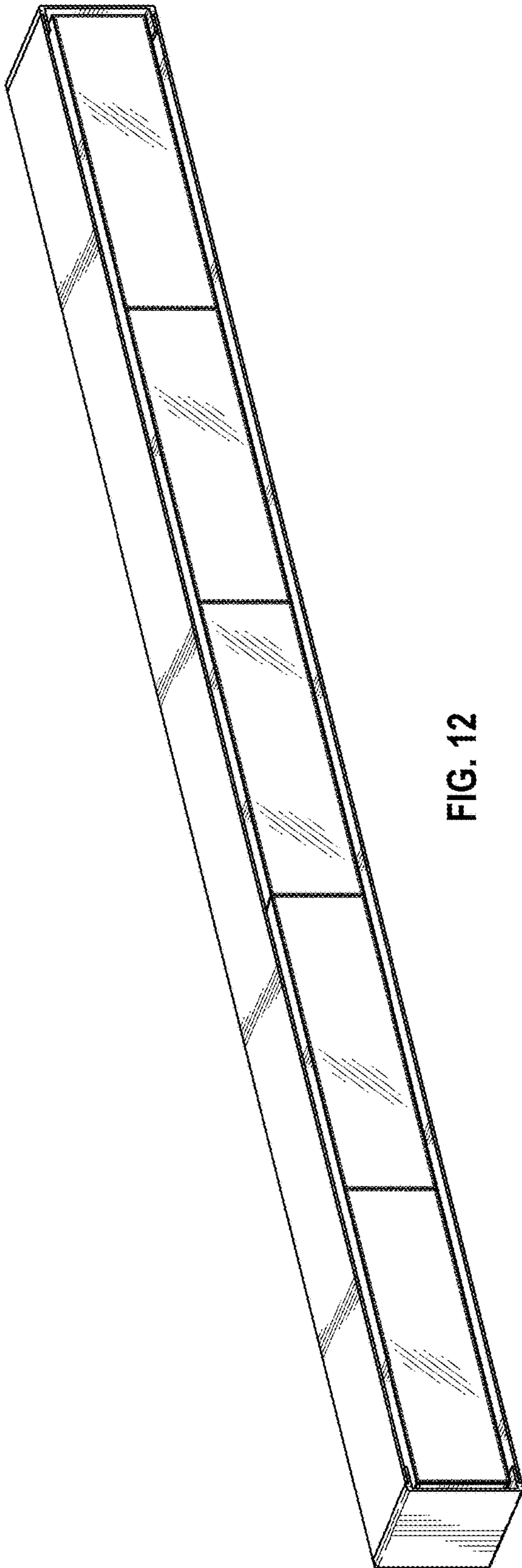


FIG. 12

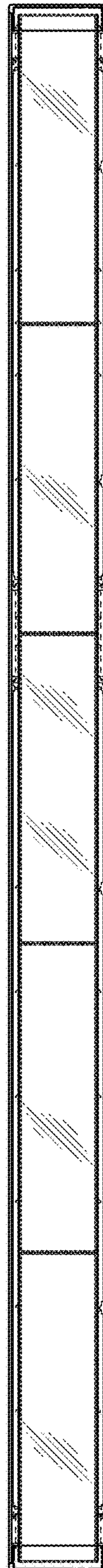


FIG. 13

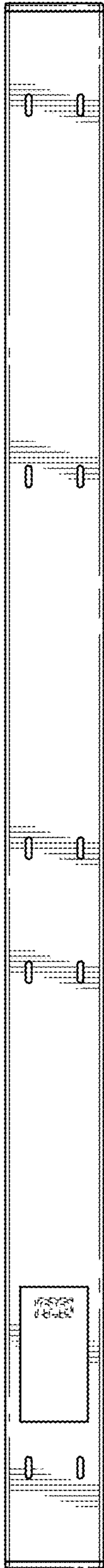


FIG. 14

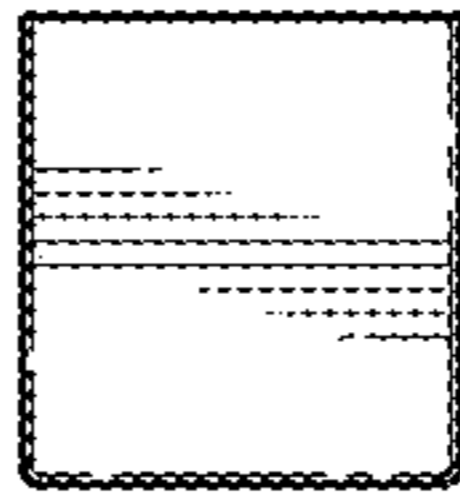


FIG. 15

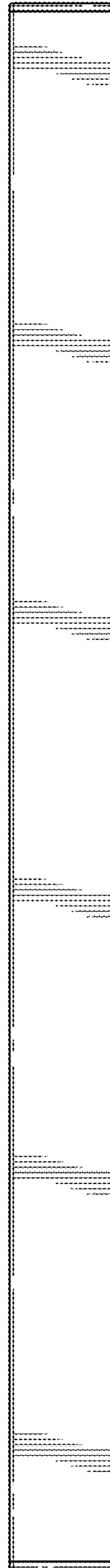


FIG. 16

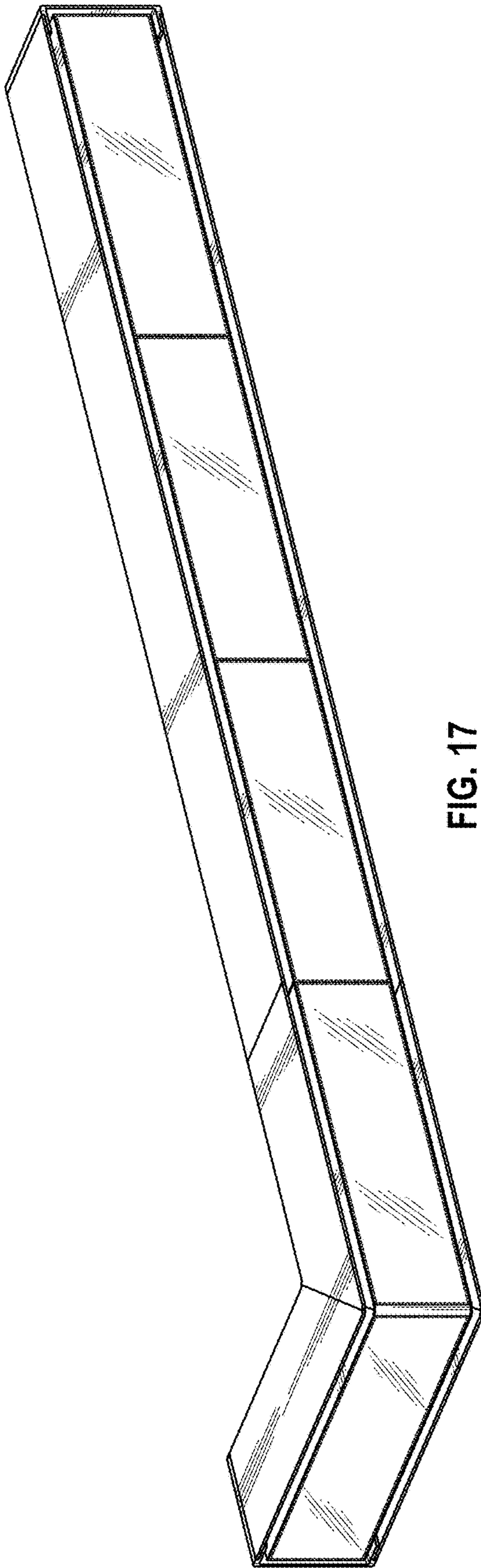


FIG. 17

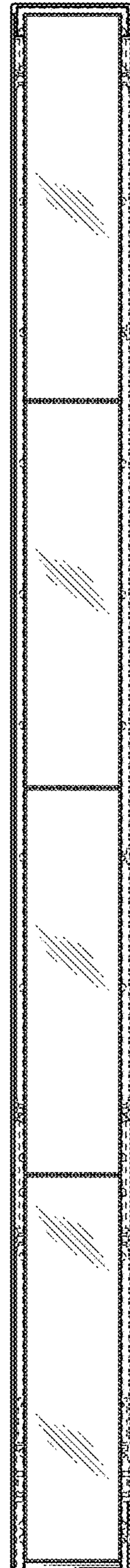


FIG. 18

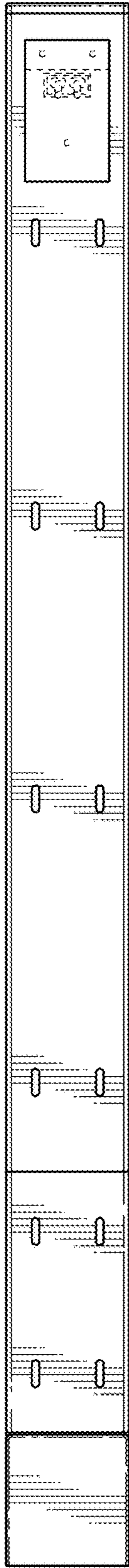


FIG. 19

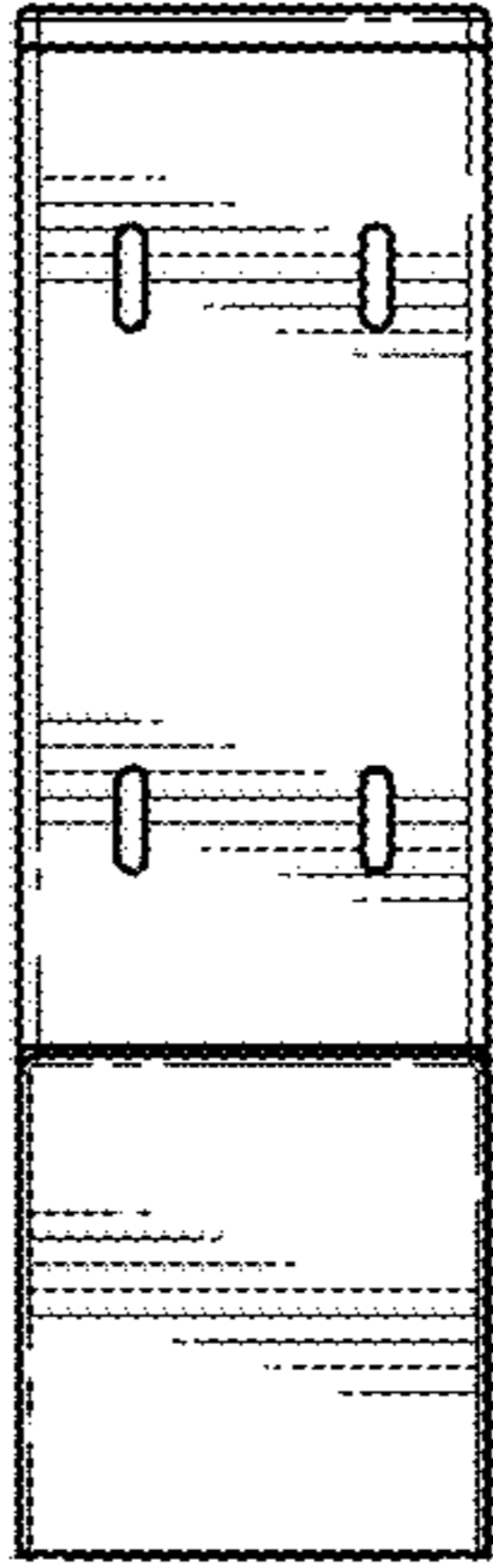


FIG. 21

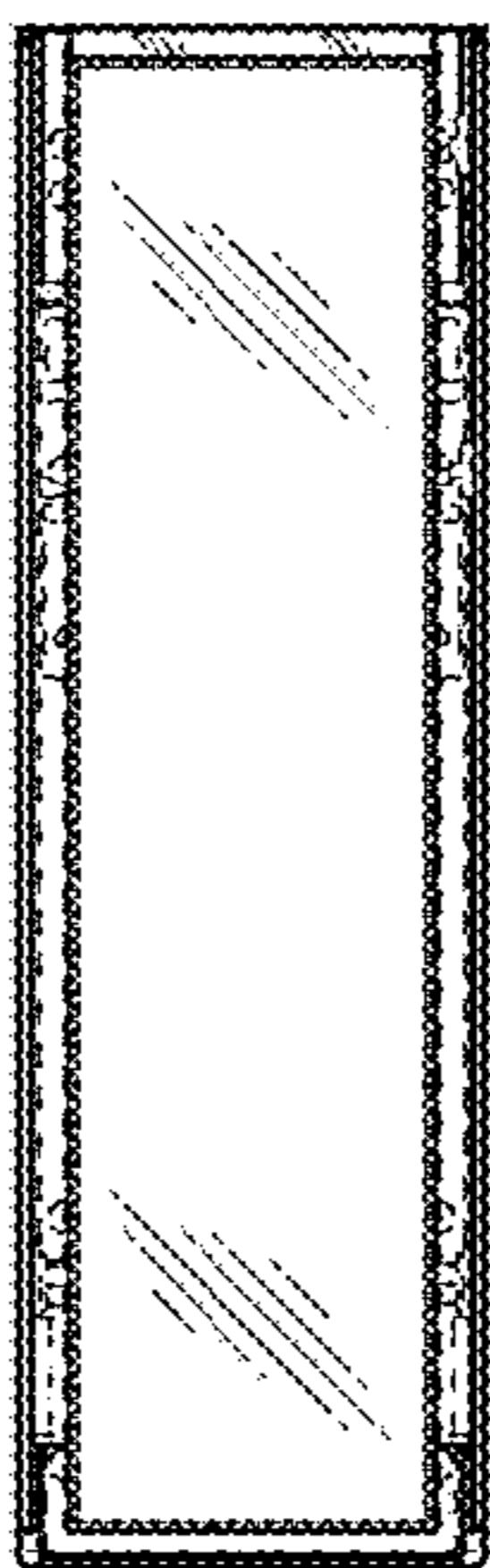


FIG. 20



FIG. 22