



US00D781855S

(12) **United States Design Patent**
Sanders

(10) **Patent No.:** **US D781,855 S**

(45) **Date of Patent:** **** Mar. 21, 2017**

(54) **COMPUTER CASE**

(71) Applicant: **Joseph Sanders**, St. Louis, MO (US)

(72) Inventor: **Joseph Sanders**, St. Louis, MO (US)

(**) Term: **15 Years**

(21) Appl. No.: **29/545,294**

(22) Filed: **Nov. 11, 2015**

(51) **LOC (10) Cl.** **14-02**

(52) **U.S. Cl.**
USPC **D14/352**

(58) **Field of Classification Search**

USPC D14/240, 300, 301, 308, 313, 314,
D14/348-356, 364-368, 441-446, 188;
D13/123, 158, 162, 184, 199;
312/223.1-223.3, 351.11;
360/99.01-99.12; 369/34.01-36.01;
361/679.31-679.33, 679.37, 679.39,
361/679.46, 679.53, 679.4, 679.41, 727
CPC . G06F 1/20; G06F 1/181; G06F 1/187; G06F
1/183; G06F 1/184; G06F 1/16; H05K
7/16; H05K 7/1424; H05K 7/1409; H05K
7/20; H05K 7/20545; H05K 7/20727;
H05K 7/1425; H05K 7/1488; H05K
7/183; H05K 7/14; H05K 5/00; H05K
7/00; H05H 7/20; G11B 33/126; G11B
33/128; G11B 33/08; G11B 33/02
See application file for complete search history.

(56) **References Cited**

U.S. PATENT DOCUMENTS

D280,898 S * 10/1985 Benigni D14/313
D456,021 S * 4/2002 Komatsu D14/349

6,549,397 B1 * 4/2003 Diaz G06F 1/181
312/223.1
D490,804 S * 6/2004 Whitehorn D14/308
D514,118 S * 1/2006 Christianson D14/496
D568,314 S * 5/2008 Wang D14/356
D590,389 S * 4/2009 Musgrave D14/349
D649,151 S * 11/2011 Ramones D14/358
2009/0009953 A1 * 1/2009 Lin G11B 33/123
361/679.33

* cited by examiner

Primary Examiner — Freda S Nunn

(74) *Attorney, Agent, or Firm* — CreatiVenture Law;
Linda L. Lewis

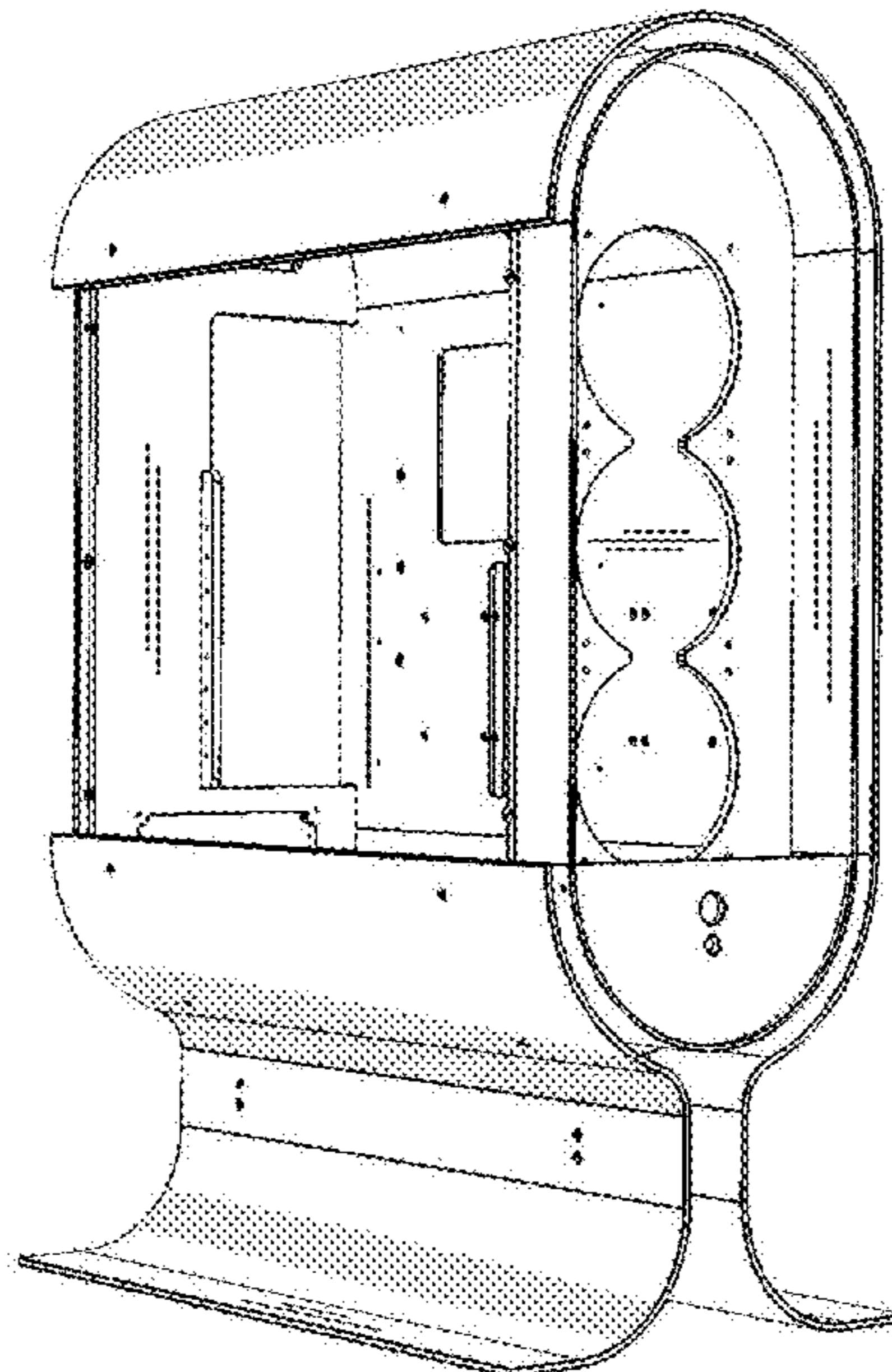
(57) **CLAIM**

The ornamental design for a computer case, as shown and described.

DESCRIPTION

FIG. 1 is a back view of a computer case of my new design;
FIG. 2 is a bottom view thereof;
FIG. 3 is a front view thereof;
FIG. 4 is a right side view thereof;
FIG. 5 is a left side view thereof;
FIG. 6 is a top view thereof;
FIG. 7 is a perspective of the elevated front left thereof;
FIG. 8 is a perspective of the front left thereof; and,
FIG. 9 is a perspective of the rear left thereof.

1 Claim, 9 Drawing Sheets



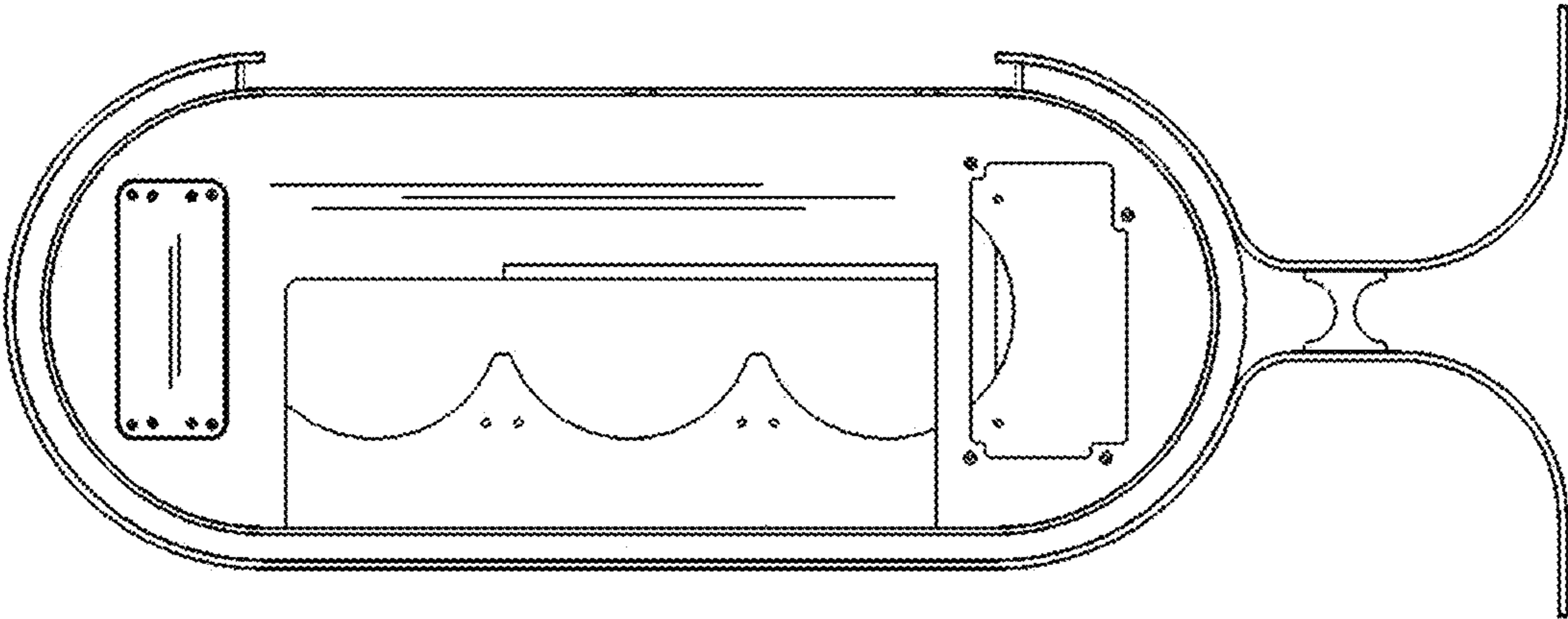


Fig. 1

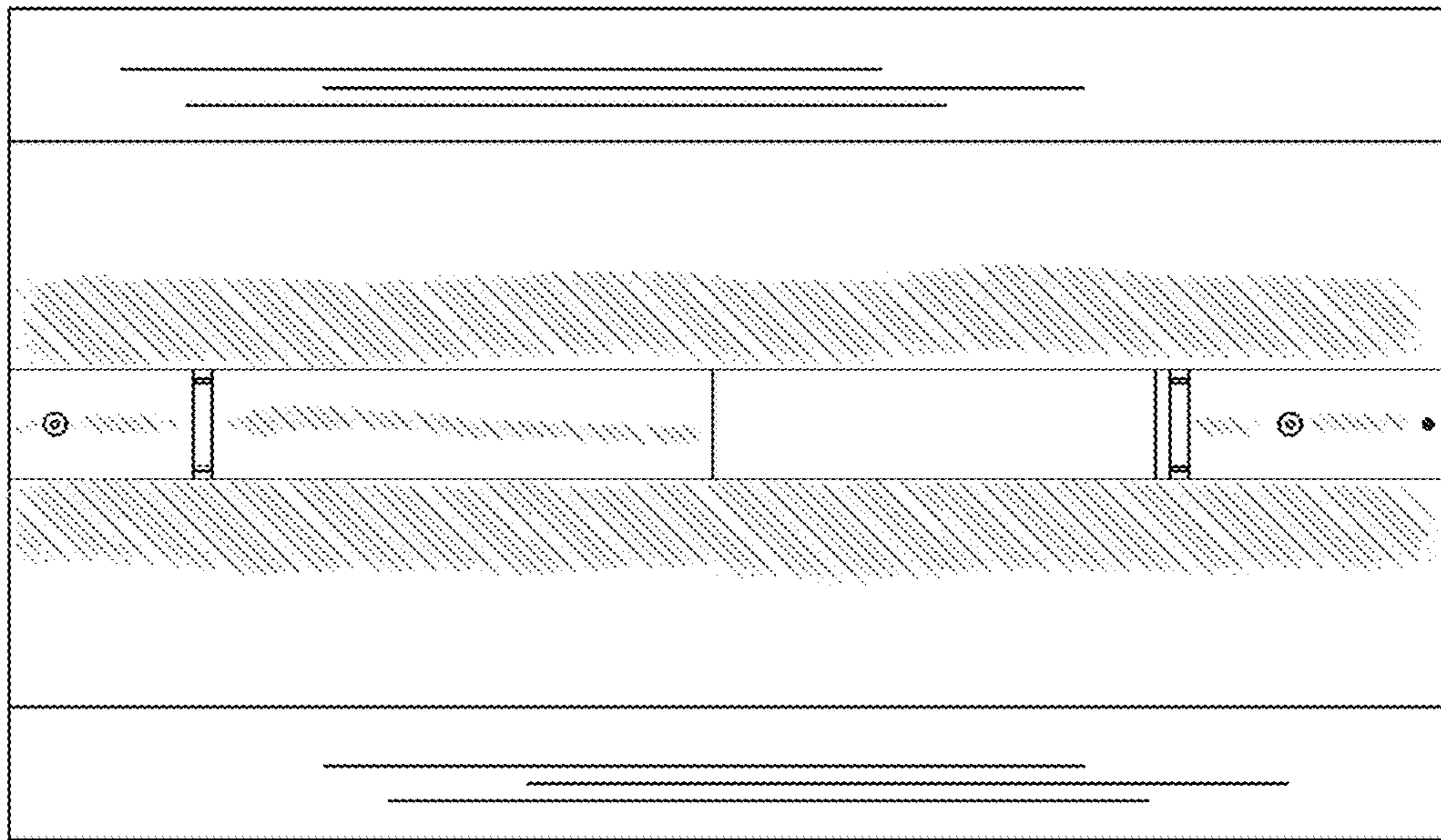


Fig. 2

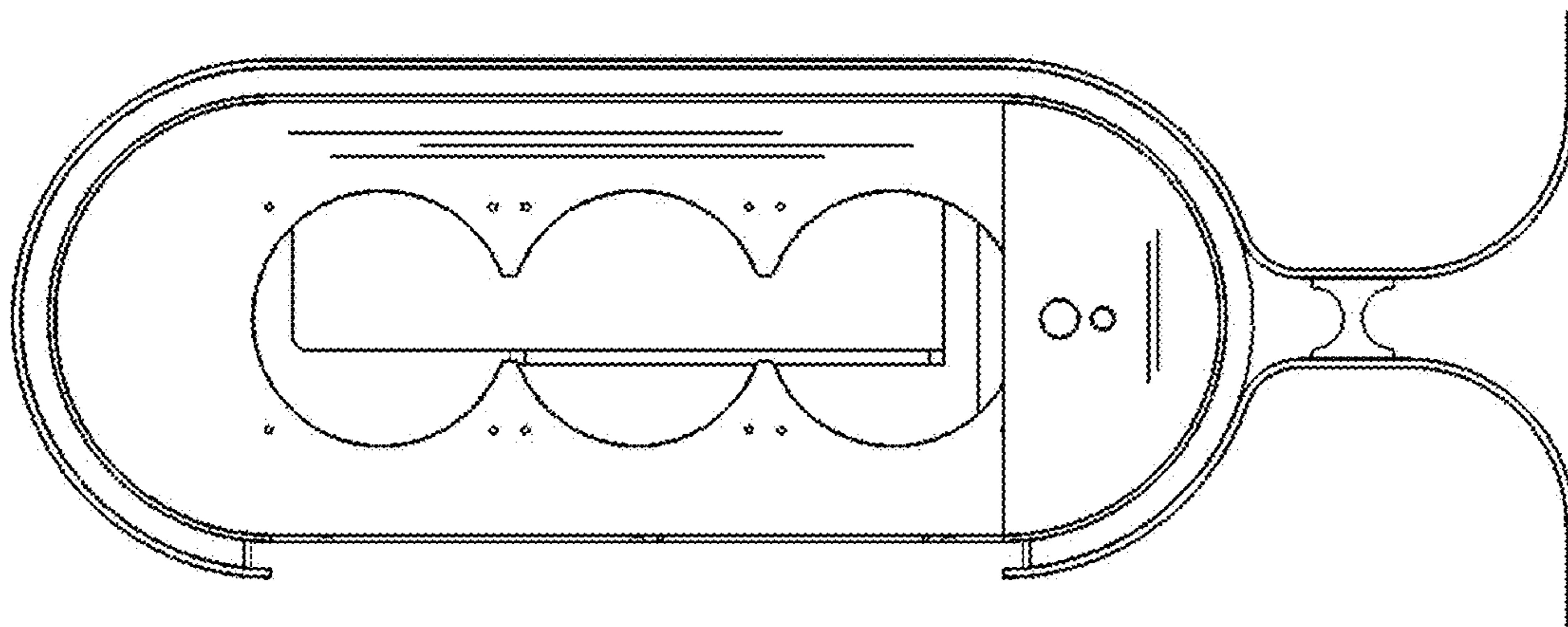


Fig. 3

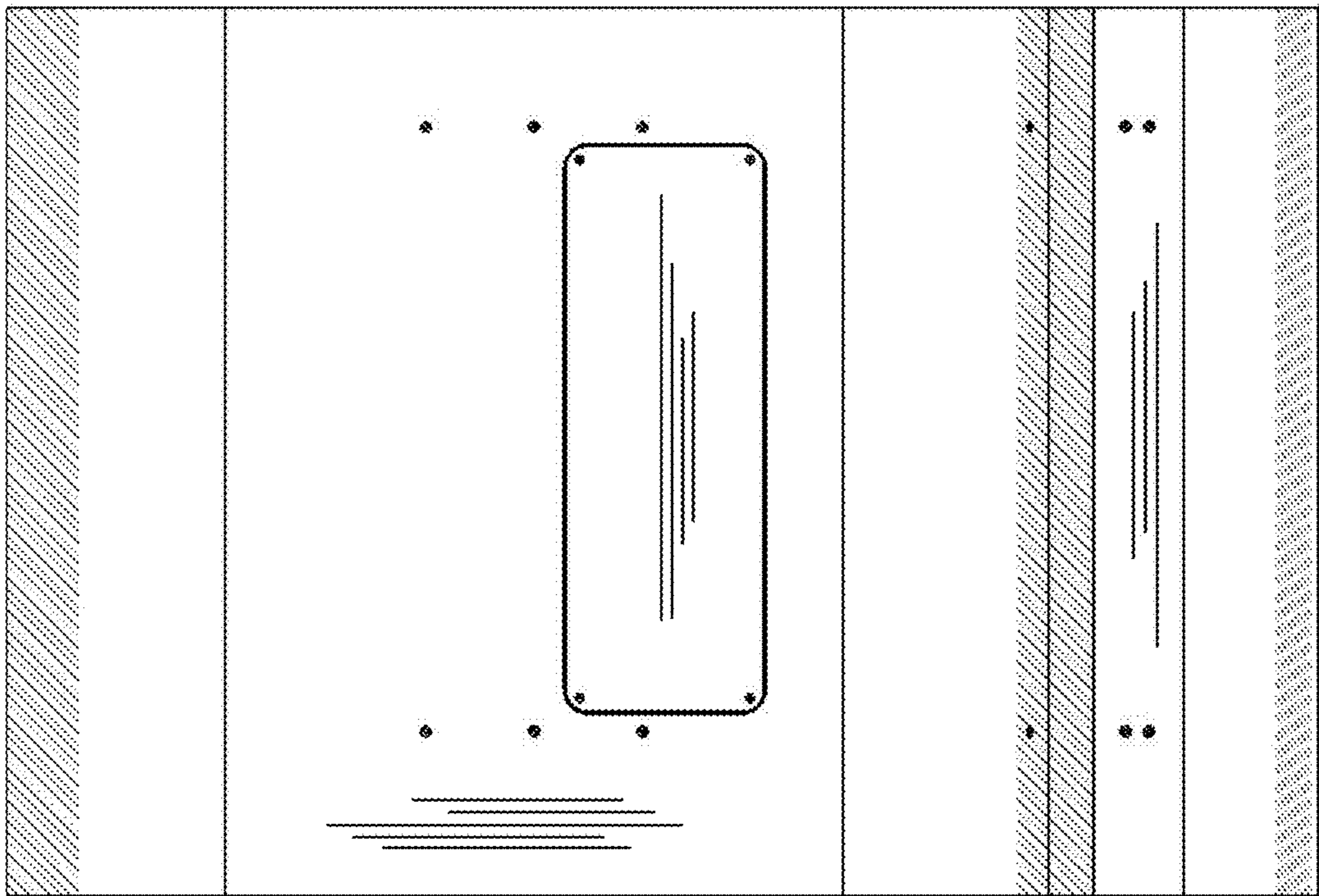


Fig. 4

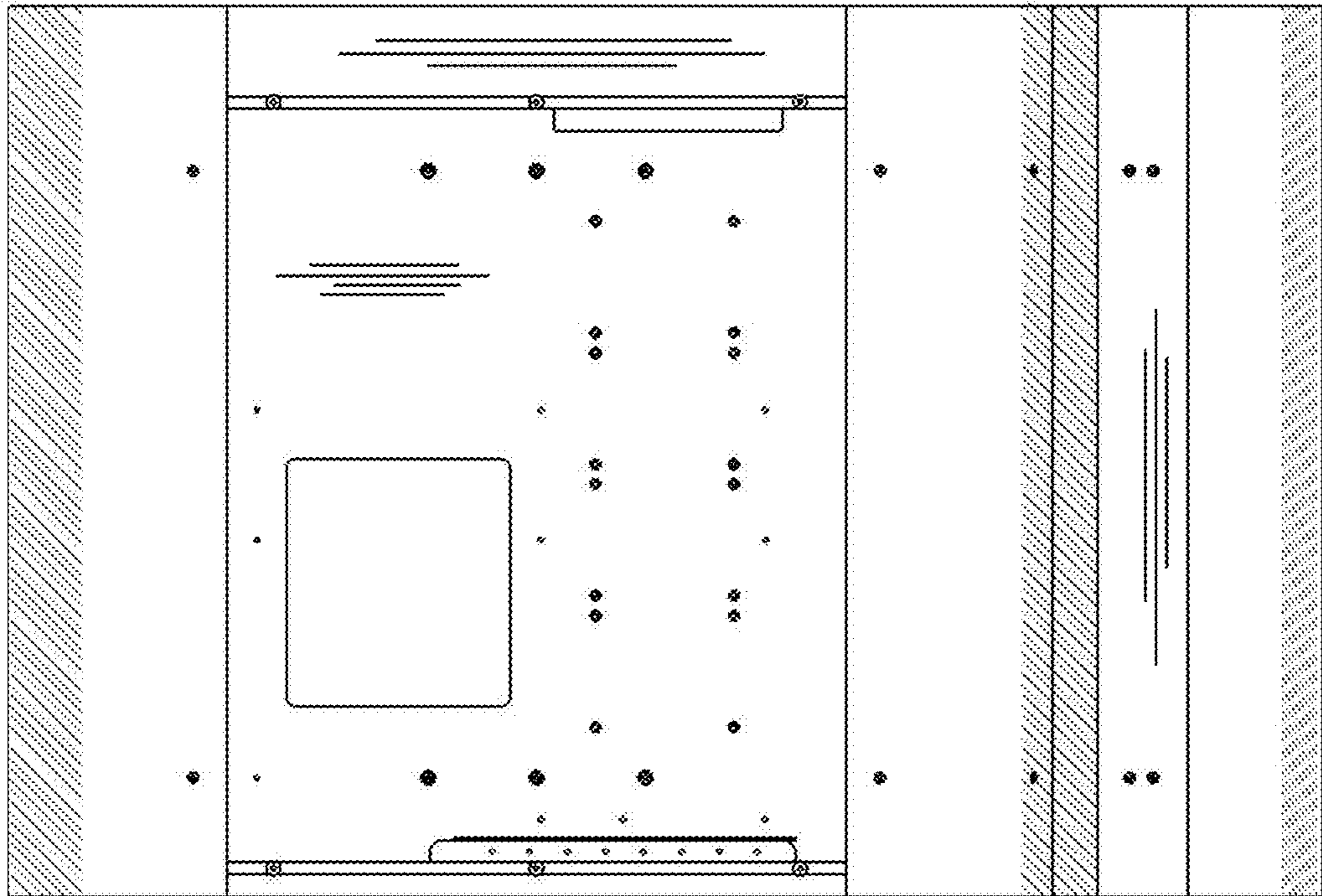


Fig. 5

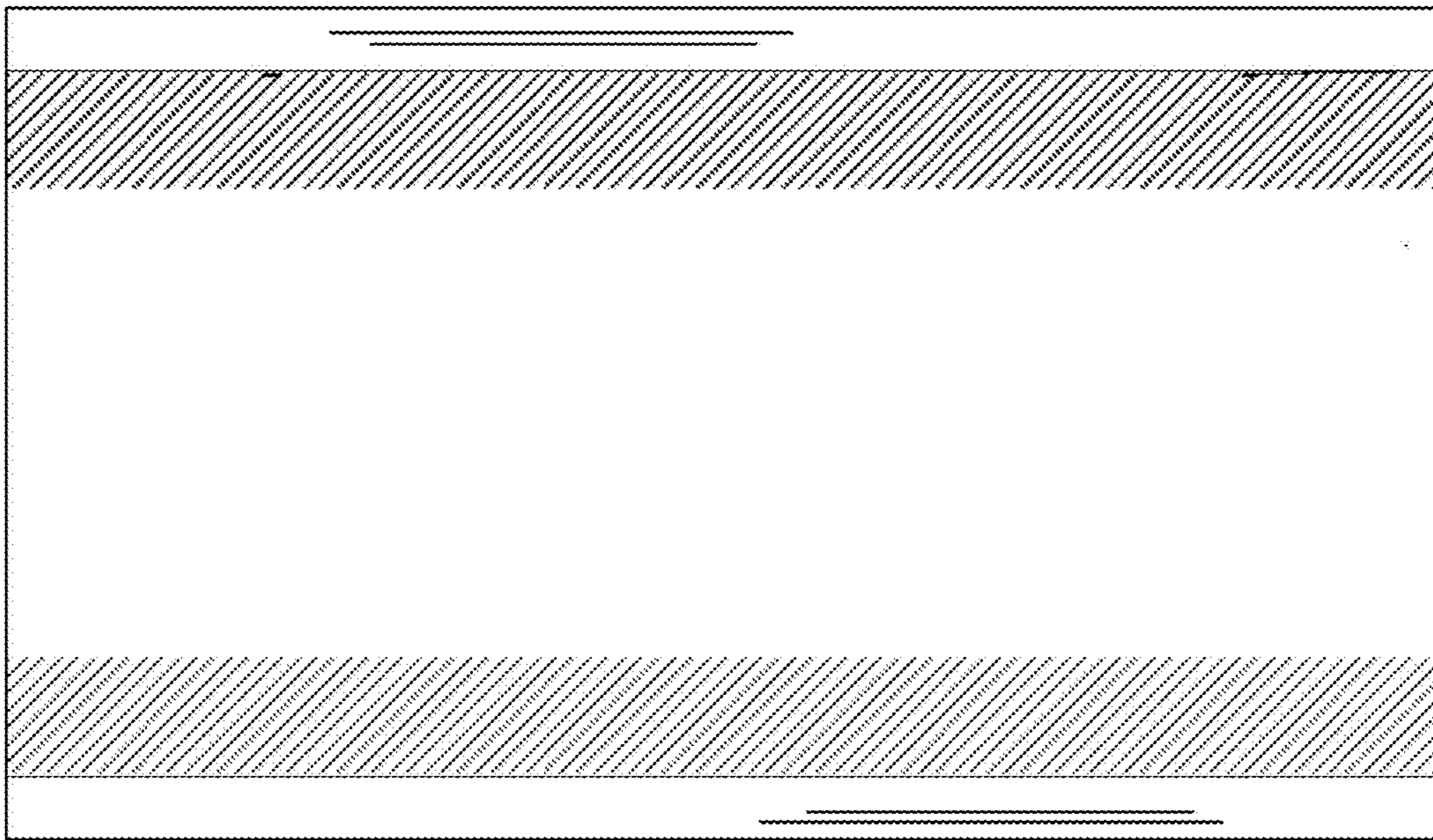


Fig. 6

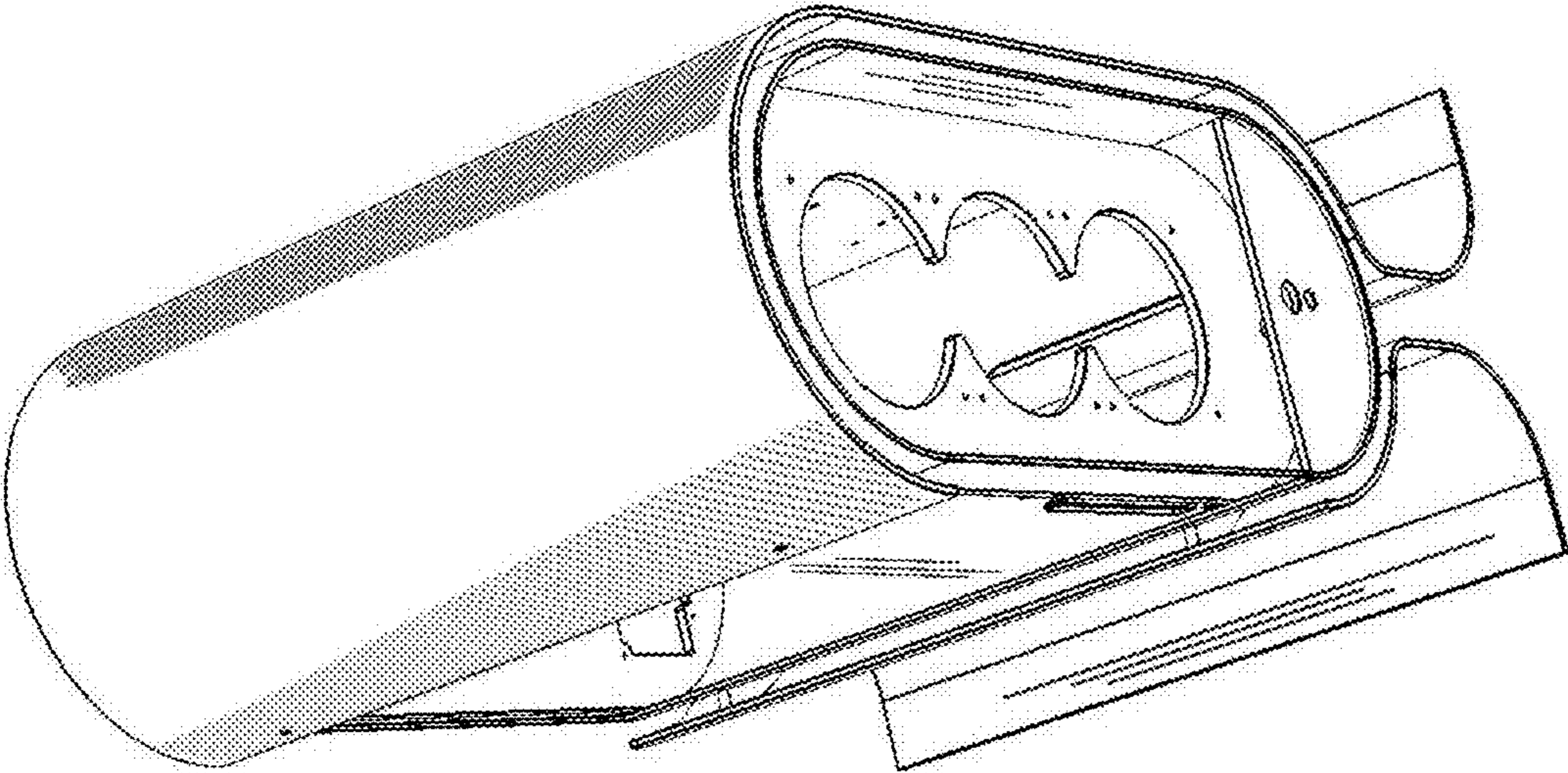


Fig. 7

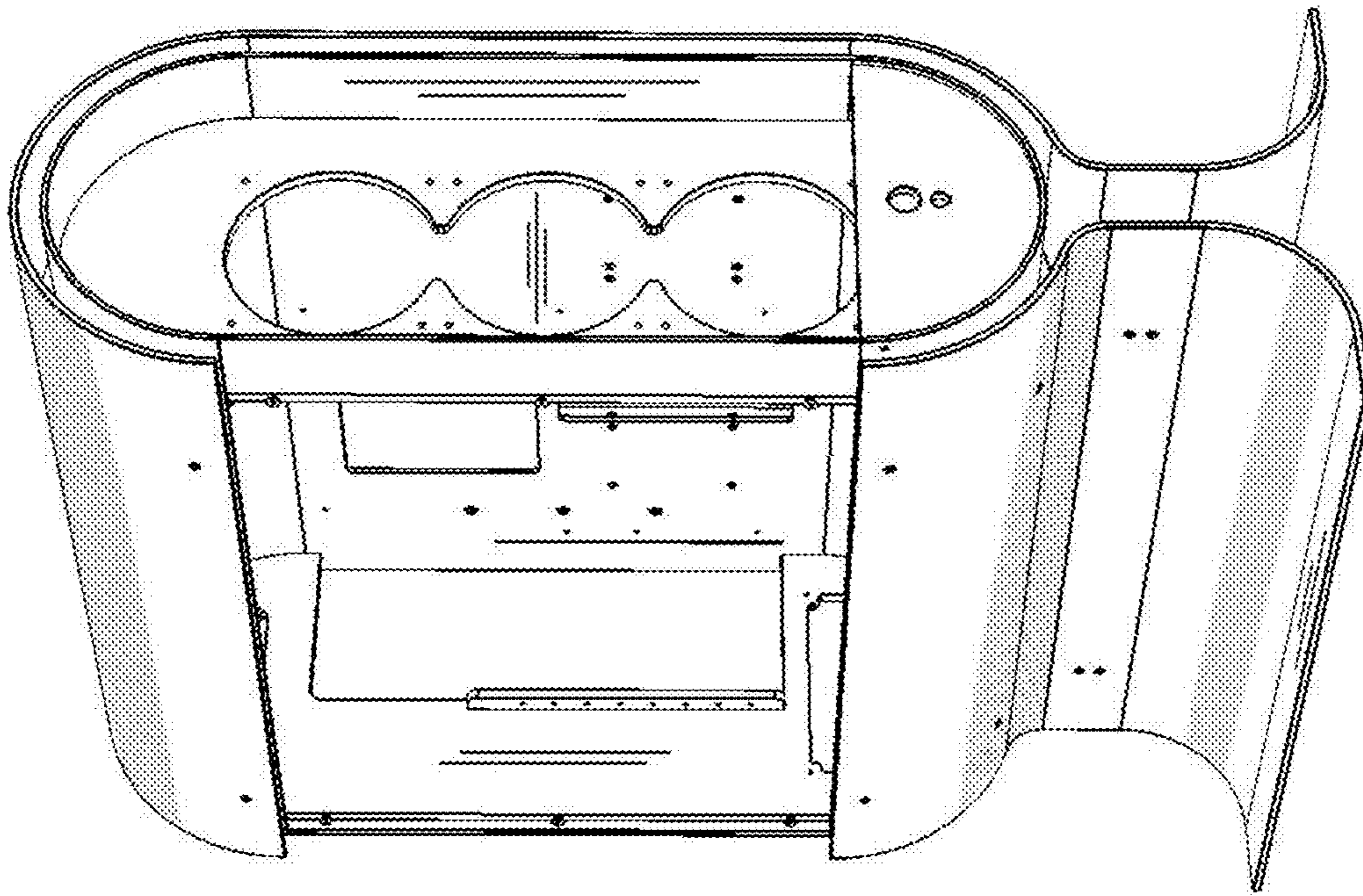


Fig. 8

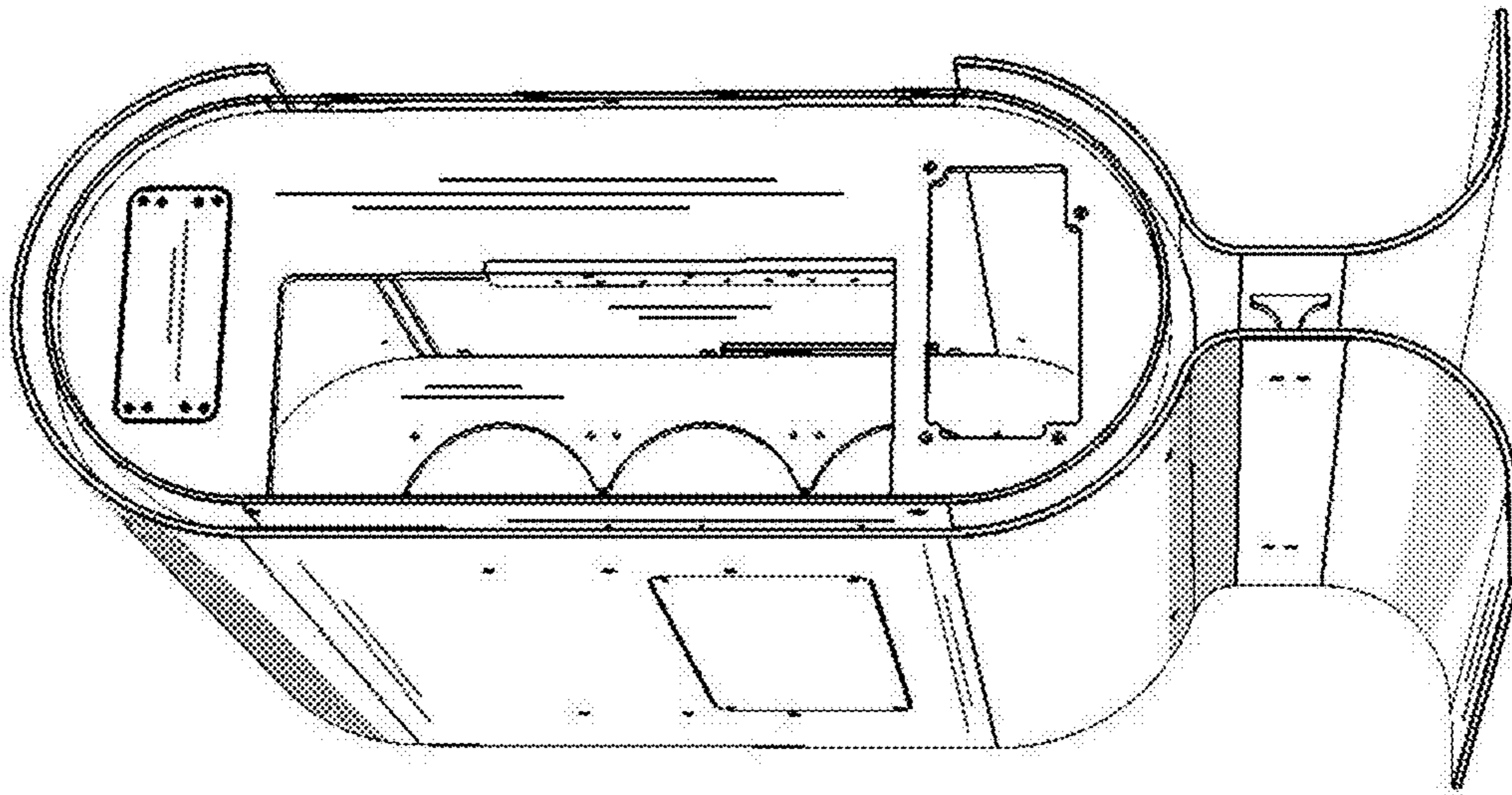


Fig. 9