



US00D781853S

(12) **United States Design Patent**
Akana et al.

(10) **Patent No.:** **US D781,853 S**
(45) **Date of Patent:** **** Mar. 21, 2017**

(54) **WEARABLE DEVICE**

(71) Applicant: **Apple Inc.**, Cupertino, CA (US)

(72) Inventors: **Jody Akana**, San Francisco, CA (US);
Molly Anderson, San Francisco, CA (US);
Bartley K. Andre, Palo Alto, CA (US);
Shota Aoyagi, San Francisco, CA (US);
Anthony Michael Ashcroft, San Francisco, CA (US);
Jeremy Bataillou, San Francisco, CA (US);
Daniel J. Coster, San Francisco, CA (US);
Daniele De Iuliis, San Francisco, CA (US);
M. Evans Hankey, San Francisco, CA (US);
Julian Hoenig, San Francisco, CA (US);
Richard P. Howarth, San Francisco, CA (US);
Jonathan P. Ive, San Francisco, CA (US);
Duncan Robert Kerr, San Francisco, CA (US);
Marc A. Newson, London (GB);
Matthew Dean Rohrbach, San Francisco, CA (US);
Peter Russell-Clarke, San Francisco, CA (US);
Benjamin Andrew Shaffer, San Jose, CA (US);
Mikael Silvano, San Francisco, CA (US);
Christopher J. Stringer, Woodside, CA (US);
Eugene Antony Whang, San Francisco, CA (US);
Rico Zörkendörfer, San Francisco, CA (US)

(73) Assignee: **Apple Inc.**, Cupertino, CA (US)

(**) Term: **15 Years**

(21) Appl. No.: **29/557,215**

(22) Filed: **Mar. 7, 2016**

(51) **LOC (10) Cl.** **14-02**

(52) **U.S. Cl.**
USPC **D14/344**

(58) **Field of Classification Search**
USPC **D14/344; D2/623, 626, 639, 878; D8/88,**

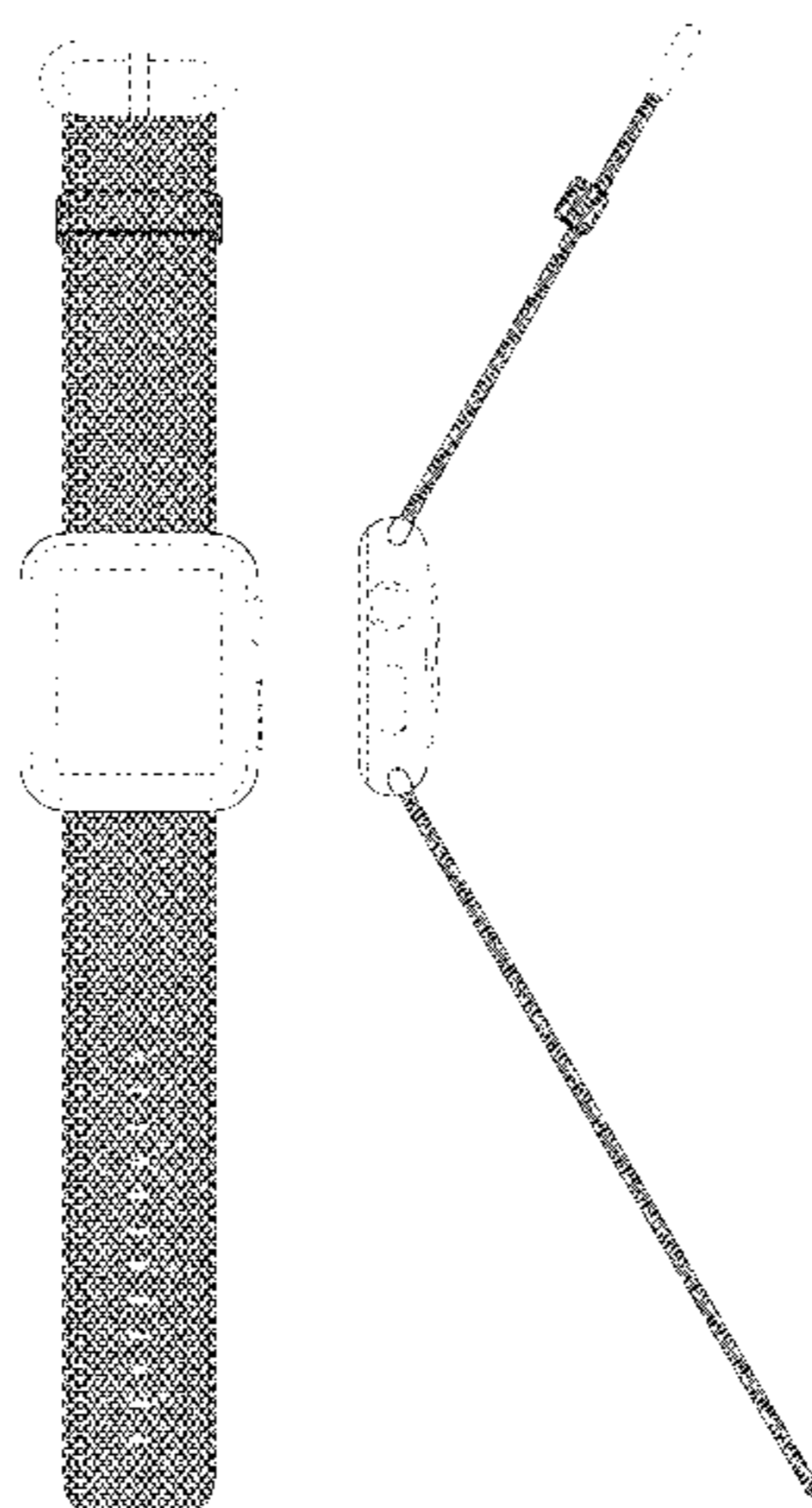
D8/356; D10/30-39, 70, 98; D11/3, 87,
D11/93-94, 200, 201, 210, 216, 218, 221,
D11/230-231; D24/167, 169, 186-187
CPC G06F 1/163; G06F 1/1628; G06F 1/1626;
G06F 1/1635; G06F 1/08; G06F 1/10;
G06F 1/04; G06F 1/14; G06F 1/3203;
A41D 1/002; H04M 1/02; H04M 1/03;
H04M 1/04; H04M 1/05; H04M 1/667;
H04M 1/6058; Y02B 60/1217; H04B
1/385; H04B 1/3888; H04B 1/3833;
A44C 5/00

See application file for complete search history.

(56) **References Cited**

U.S. PATENT DOCUMENTS

D80,307	S	*	1/1930	Conant	D10/38
2,280,490	A		4/1942	Keltie		
2,397,797	A		4/1946	Curto		
2,451,750	A	*	10/1948	Kreisler	A44C 5/0061 29/896.411
D181,889	S	*	1/1958	Taylor	D10/32
3,030,686	A		4/1962	Burkhardt		
3,640,065	A		2/1972	Lederrey et al.		
3,665,565	A		5/1972	Kruger		
3,675,284	A		7/1972	Rieth		
D270,430	S	*	9/1983	Fukuoka	D10/39
D287,471	S		12/1986	Sato et al.		
4,627,231	A	*	12/1986	Kiuchi	A44C 11/00 59/79.1
D320,356	S		10/1991	Boyer et al.		
D344,038	S	*	2/1994	Phillips	D11/3
5,363,351	A		11/1994	Carney		
5,386,933	A		2/1995	Greene et al.		
5,574,701	A		11/1996	Harilela		
D377,914	S		2/1997	Riley		
D379,327	S		5/1997	Navera		
D379,775	S		6/1997	Gazzola		
D383,985	S	*	9/1997	Davenport	D10/31
D386,980	S		12/1997	Houlihan		
5,886,669	A		3/1999	Kita		
D438,812	S	*	3/2001	Bert	D11/3
D439,172	S		3/2001	Brzezinski		
D440,901	S		4/2001	Bruce et al.		
6,219,303	B1		4/2001	Morohoshi et al.		
D441,680	S		5/2001	Bruce et al.		
6,238,083	B1		5/2001	Hirano et al.		
D461,726	S	*	8/2002	Jamin	D10/32
D473,818	S		4/2003	Salvisberg		



US D781,853 S

Page 2

6,655,831 B1 12/2003 Ruffieux
D494,098 S 8/2004 Cohen
D496,589 S 9/2004 Perrenoud
6,801,476 B2 10/2004 Gilmour
6,970,157 B2 11/2005 Siddeeq
D513,195 S 12/2005 Gruosi
7,004,469 B2 2/2006 Von Goeben
D528,439 S 9/2006 Burton
D528,928 S 9/2006 Burton
7,106,197 B2 9/2006 Gaiotto et al.
7,275,667 B2 10/2007 Bertucci
D558,227 S 12/2007 Cho et al.
D564,904 S 3/2008 Leung
D572,266 S 7/2008 Anderson et al.
D574,735 S 8/2008 Landman et al.
D578,922 S 10/2008 Hoshino
D584,170 S 1/2009 Morrison
D586,823 S 2/2009 Anderson et al.
D589,375 S 3/2009 Tang
D596,610 S 7/2009 Hou
D606,889 S * 12/2009 Nusbbaumer D10/39
D616,417 S 5/2010 Liao
7,708,457 B2 5/2010 Girardin et al.
D622,164 S 8/2010 Mikkelsen
D631,373 S 1/2011 Mikkelsen
D637,094 S 5/2011 Cobbett et al.
D637,918 S 5/2011 Cobbett et al.
D650,706 S 12/2011 Zanella et al.
D666,503 S 9/2012 Bulgari
D674,488 S * 1/2013 McKay D24/167
D681,483 S 5/2013 Biegert et al.
8,601,784 B2 12/2013 Kaltenrieder
8,613,544 B2 12/2013 Kitahara et al.
D699,701 S 2/2014 Kim
D715,674 S 10/2014 Squires
D719,123 S 12/2014 Park et al.
D719,467 S 12/2014 Bradbury
D720,249 S 12/2014 Park et al.
D724,469 S 3/2015 Akana et al.
D724,556 S 3/2015 Choi et al.
D727,197 S 4/2015 Akana et al.
D727,198 S * 4/2015 Akana D11/3
D727,199 S 4/2015 Akana et al.
D728,624 S 5/2015 Akana et al.
D729,237 S 5/2015 Fagnot
D729,654 S 5/2015 Nuovo et al.
D729,670 S 5/2015 Nuovo et al.
D731,346 S 6/2015 Akana et al.
D732,416 S 6/2015 Akana et al.
D737,156 S 8/2015 Akana et al.
D737,157 S 8/2015 Akana et al.
D737,158 S * 8/2015 Akana D10/32
D737,159 S 8/2015 Akana et al.
D739,780 S 9/2015 Akana et al.
D740,693 S 10/2015 Carmichael
D741,726 S 10/2015 Akana et al.
D744,356 S 12/2015 Akana et al.
D745,421 S 12/2015 Akana et al.
D745,515 S * 12/2015 Solomon D14/344
D746,707 S * 1/2016 Akana D10/39
D748,008 S 1/2016 Akana et al.
D748,009 S 1/2016 Akana et al.
D748,010 S 1/2016 Akana et al.
D748,527 S 2/2016 Akana et al.
D749,009 S 2/2016 Akana et al.
D749,460 S 2/2016 Akana et al.
D750,524 S 3/2016 Akana et al.
D751,070 S 3/2016 Akana et al.
D752,044 S 3/2016 Akana et al.
D753,008 S * 4/2016 Akana D11/3
D756,357 S 5/2016 Akana et al.
D756,824 S 5/2016 Akana et al.
D757,722 S * 5/2016 Akana D10/31
D757,819 S 5/2016 Akana et al.
D758,363 S 6/2016 Akana et al.
D759,011 S * 6/2016 Akana D14/344
D759,121 S 6/2016 Akana et al.
D759,725 S * 6/2016 Akana D14/496
D764,340 S * 8/2016 Akana D11/3

D764,341 S * 8/2016 Akana D11/3
D766,115 S * 9/2016 Ma D10/38
D768,025 S * 10/2016 Akana D11/3
D768,623 S * 10/2016 Zou D10/39
D769,869 S * 10/2016 Zhou D10/38
2001/0017663 A1 8/2001 Yamaguchi et al.
2002/0051075 A1 5/2002 Yamaguchi et al.
2010/0061191 A1 3/2010 Chen
2014/0096345 A1 4/2014 Tschumi
2014/0098649 A1 4/2014 Tschumi
2016/0062392 A1 3/2016 Townsend et al.
2016/0062405 A1 3/2016 Mylvaganam et al.

FOREIGN PATENT DOCUMENTS

DE 19513647 A1 10/1995
DE 10229050 C1 6/2003
EP 1098231 A1 5/2001
EP 001109706-0025 5/2009
EP 2636328 A1 9/2013
ES 001359301-0002 6/2013
GB 618917 A 3/1949
GB 1056574 8/1989
GB 2047767 9/1995
GB 2049316 12/1995
GB 2082277 6/1999
HK 0501949.8 12/2005
HK 1001605.7 12/2010
JE D1126907 11/2001
JP D1337795 8/2008
JP D1423962 9/2011
JP D1433115 2/2012
JP D1448029 8/2012
JP D1462747 2/2013
WO WO-DM/012262-001 1/1989
WO WO-DM/049450-002 12/1999
WO WO-DM/066491-004 3/2005
WO WO-DM072215 9/2009
WO WO-DM/077452-004 6/2011
WO WO-DM/079044-003 9/2012
WO WO-2013182397 A1 12/2013
WO WO-2014135709 A2 9/2014

OTHER PUBLICATIONS

Top Brand Luxury Style Daniel Wellington Watches DW Watch for Men Nylon Strap Military Quartz Wristwatch Clock Reloj hombre 40mm, posted unknown, [retrieved Oct. 26, 2016]. Retrieved from Internet, <URL: <http://www.dhgate.com/product/top-brand-luxury-style-daniel-wellington/239253633.html> >.*

Free Silicone Band, Inteny Apple Watch Band Series 1 Series 2 Colorful Pattern Woven Nylon Band Replacement Wrist Bracelet Strap Buckle for iWatch, 38mm, Toasted Coffee & Caramel, posted unknown, [retrieved Oct. 27, 2016]. Retrieved from Internet, <URL: <https://www.amazon.com/dp/B01LXBIO6M?psc=1> >.*

Alvarez, Edgar, "Basis Peak to get its smartwatch-like features in December," *engadget.com*, <<http://www.engadget.com/2014/11/20/basis-peak-new-features/>>, dated Nov. 20, 2014, accessed Dec. 15, 2014.

Cool Material, "Braun Square Digital Watch," <<http://web.archive.org/web/20111125033014/http://coolmaterial.com/style/braun-square-digital-watch/>>, dated Nov. 25, 2011, accessed Dec. 18, 2014.

Emily, "Nixon—The Newton Digital," <<http://www.freshnessmag.com/2009/09/08/nixon-the-newton-digital/>>, *freshnessmag.com*, dated Sep. 8, 2009, accessed Oct. 9, 2014.

etsy.com, "1 Set Silver End Cap Clasp—Findings Large Toggle Clasp End Caps Buckle Connector with Five Inside Loops for Jewelry Making 26mm," <<http://www.etsy.com/listing/101269004/1-set-silver-end-cap-clasp-findings?ref=market>>, Listed on Aug. 29, 2014, accessed Oct. 9, 2014.

"Field Ops Watch Band Kit" <<http://www.511tactical.com/field-ops-watch-band-kit.html>>, accessed Nov. 25, 2014.

Fitbit, "Fitbit Surge™ Fitness Super Watch" <<https://www.fitbit.com/surge>>, accessed Dec. 15, 2014.

geekbuying.com, “Makibes unisex red led digital wrist watch with square case silicone watchband—white,” <<http://www.geekbuying.com/item/Unisex-Red-LED-Digital-Wrist-Watch-with-Square-Case-Silicone-Watchband---White-326443.html>>, accessed Oct. 9, 2014.

Hiemstra, Graham, “Worn & Wound Model 1 Horween Watch Strap,” <<http://www.coolhunting.com/style/worn-wound-model-1-horween-watch-strap>>, dated Aug. 27, 2013, accessed Nov. 25, 2014.

Hilbourne, Jason, “Wide Body: straps for Pebble,” <<https://www.kickstarter.com/projects/1171859847/wide-body-straps-for-pebble>>, Listed Apr. 2, 2013, accessed Nov. 25, 2014.

Hodinkee.com, “Apple iPod Nano Now Available With Mickey Mouse Dial, Also Cheesy, Mechanically Inaccurate Open-Worked Dial,” <<http://web.archive.org/web/20111006043916/http://www.hodinkee.com/blog/2011/10/5/apple-ipod-nano-now-available-with-mickey-mouse-dial-also-ch.html>>, dated Oct. 6, 2011, accessed Dec. 18, 2014.

Homego, “M6 Silver Smart Watch Cell Phone 1.54 inch Bluetooth 3.0 Dialer Outdoor Sports Pedometer,” amazon.com, <<http://www.amazon.com/Silver-Bluetooth-Dialer-Outdoor-Pedometer/dp/B00MQTBGK6>>, accessed Dec. 15, 2014.

Ikepod, “Original Ikepod Watch With GMT—Marc Newson Design,” Watchbox.be, <<http://www.watchbox.be/prod/Others-Watches/Marc%20Newson%20Design/item7165.htm#>>, accessed Dec. 17, 2014.

VJLm2fAo5D8>, accessed Dec. 17, 2014.

LG Life’s Good, “LG G Watch (W100),” <<http://www.lg.com/us/smart-watches/lg-W100-g-watch>>, accessed Dec. 18, 2014.

Metawatch, “Frame—Black (MW3005),” <<http://meta.watch/collections/smartwatch-all/products/fram-ss-black-leather>>, accessed Dec. 15, 2014.

Omate, “Omate TrueSmart: Water-resistant standalone Smartwatch 2.0,” <<http://www.kickstarter.com/projects/omate/omate-truesmart-water-resistant-standalone-smartwa>>, dated Aug. 21, 2013, accessed Oct. 8, 2014.

Omate, “The TrueSmart™ is the world’s first standalone smartwatch 2.0 running on top of Android and OUI 2.0,” <<http://www.omate.com/product.html>>, accessed Dec. 15, 2014.

[Online] http://a.abcnews.com/images/Business/HT_gold_apple_iwatch_jef_140909_4x3_992.jpg, Retrieved on Feb. 4, 2015, 1 page.

Pebble, “Pebble Smartwatch,” getpebble.com <<https://getpebble.com/checkout>>, accessed Dec. 15, 2014.

Samsung, “Samsung Gear™ 2 Charcoal Black SM-R3800VSAXAR,” <<http://www.samsung.com/us/mobile/wearable-tech/SM-R3800VSAXAR>>, accessed Dec. 15, 2014.

Samsung, “Samsung Gear S™, (Sprint), Black SM-R750PZKASPR,” <<http://www.samsung.com/us/mobile/wearable-tech/SM-R750PZKASPR>>, accessed Dec. 15, 2014.

Samsung, “Galaxy Gear™ Live, Black SM-R3820ZKAXAR,” <<http://www.samsung.com/us/mobile/wearable-tech/SM-R3820ZKAXAR>>, accessed Dec. 15, 2014.

Sony, “SmartWatch,” <<http://www.sonymobile.com/us/products/accessories/smartwatch/>>, accessed Dec. 15, 2014.

Sony, “SmartWatch 3 SWR50,” <<http://www.sonymobile.com/us/products/smartwear/smartwatch-3-swr50/>>, accessed Dec. 15, 2014.

Stables, James, “Clevercare smartwatch aims to help Alzheimer’s suffers and carers: Revamped Sony SmartWatch 2 designed for users that need care,” Wearable News, <<http://www.wearable.com/wearable-tech/clevercare-smartwatch-aims-to-help-alzheimers-suffers-and-carers-585>>, dated Dec. 15, 2014.

Team Luxe, “Collectors Edition: Hermes Carre H Watch,” Luxpresso, <<http://luxpresso.com/news-couture/collectors-edition-hermes-carre-h-watch/2814>>, dated Jan. 10, 2011, accessed Dec. 18, 2014.

Ted Baker, “Ted Baker Men’s TE1054 Time Flies Contemporary Square Digital Case Watch,” <<http://www.amazon.com/Ted-Baker-TE1054-Contemporary-Digital/dp/B0045CRTYO%3FSubscriptionId%3D3DAKIAJ3U4YRIBWCGGKZ2A%26tag%3Dfrases365-20%26linkCode%3Dsp1%26camp%3D2025%26creative%3D165953%26creativeASIN%3DB0045CRTYO>>, accessed Oct. 9, 2014.

“Timex Men’s Q7B808 Ironman Triathlon 30-Lap Resin 16mm Replacement Watchband” <http://www.amazon.com/Timex-Ironman-Triathlon-Replacement-Watchband/dp/B003OPZ5D0/ref=sr_1_1?s=apparel&ie=UTF8&qid=1416701895&sr=1-1&keywords=Timex+Men%27s+Q7B808+Ironman+Triathlon+Lap+Resin+16mm+Replacement+Watchband>, accessed Nov. 25, 2014.

Velazco, Chris, “Asus ZenWatch review: subtle and stylish, with a few shortcomings,” Engadget.com <<http://www.engadget.com/2014/12/11/asus-zenwatch-review/>>, dated Dec. 11, 2014, accessed Dec. 15, 2014.

WatchCat Online Shopping Mall, “PJS Seiko,” <http://m.watchcat.co.kr/board/product/read.html?board_no=4&no=27504>, dated Oct. 26, 2012, accessed Oct. 8, 2015.

WatchCat Online Shopping Mall, “PVD Zulu style Military Nylon band/strap,” <http://www.watchcat.kr/product/detail.html?product_no=5162&cate_no=642&display_group=1>, dated 2010, accessed Oct. 8, 2015.

Watches Infoniac.com, “Hermes Carre H Watch—Extremely Contemporary Design,” <<http://watches.infoniac.com/carre-h-watch-hermes.html>>, dated Aug. 13, 2010, accessed Dec. 18, 2014.

Watchismo, “Braun BN0042 Black Date Leather,” <<http://web.archive.org/web/20130815073830/http://www.watchismo.com/braun-bn0042bkbk.aspx>>, dated Aug. 15, 2013, accessed Dec. 18, 2014.

Google’s upcoming smartwatch is an Android project not X Lab, posted Mar. 22, 2013, [retrieved Jul. 22, 2016]. Retrieved from Internet, <URL: <http://www.talkandroid.com/155456-google-upcoming-smartwatch-is-an-android-project-not-x-lab/>>.

Omate Smartwatch Launches On Kickstarter Offering A Wealth Of Features, posted Aug. 22, 2013, [retrieved Jul. 22, 2016]. Retrieved from Internet, <URL: <http://www.geeky-gadgets.com/omate-smartwatch-launches-on-kickstarter-offering-a-wealth-of-features-video-22/08/2013/>>.

U.S. Appl. No. 29/499,071, filed Aug. 11, 2014; Akana et al.

U.S. Appl. No. 29/499,075, filed Aug. 11, 2014; Akana et al.

U.S. Appl. No. 29/499,081, filed Aug. 11, 2014; Akana et al.

U.S. Appl. No. 29/499,082, filed Aug. 11, 2014; Akana et al.

U.S. Appl. No. 29/499,090, filed Aug. 11, 2014; Akana et al.

U.S. Appl. No. 29/501,624, filed Sep. 5, 2014; Akana et al.

U.S. Appl. No. 29/501,772, filed Sep. 8, 2014; Akana et al.

U.S. Appl. No. 29/532,117, filed Jul. 1, 2015; Akana et al.

U.S. Appl. No. 29/557,214, filed Mar. 7, 2016; Akana et al.

U.S. Appl. No. 29/557,217, filed Mar. 7, 2016; Akana et al.

U.S. Appl. No. 29/557,219, filed Mar. 7, 2016; Akana et al.

* cited by examiner

Primary Examiner — Barbara Fox

Assistant Examiner — Kristin E Reed

(74) *Attorney, Agent, or Firm* — Sterne, Kessler, Goldstein & Fox P.L.L.C.

(57)

CLAIM

The ornamental design for a wearable device, as shown and described.

DESCRIPTION

FIG. 1 is a front perspective view of a wearable device showing the claimed design;

FIG. 2 is a front view thereof;

FIG. 3 is a rear view thereof;

FIG. 4 is a right side view thereof;

FIG. 5 is a left side view thereof;

FIG. 6 is a top view thereof; and,

FIG. 7 is a bottom view thereof.

The dashed broken lines in the figures show portions of the wearable device that form no part of the claimed design.

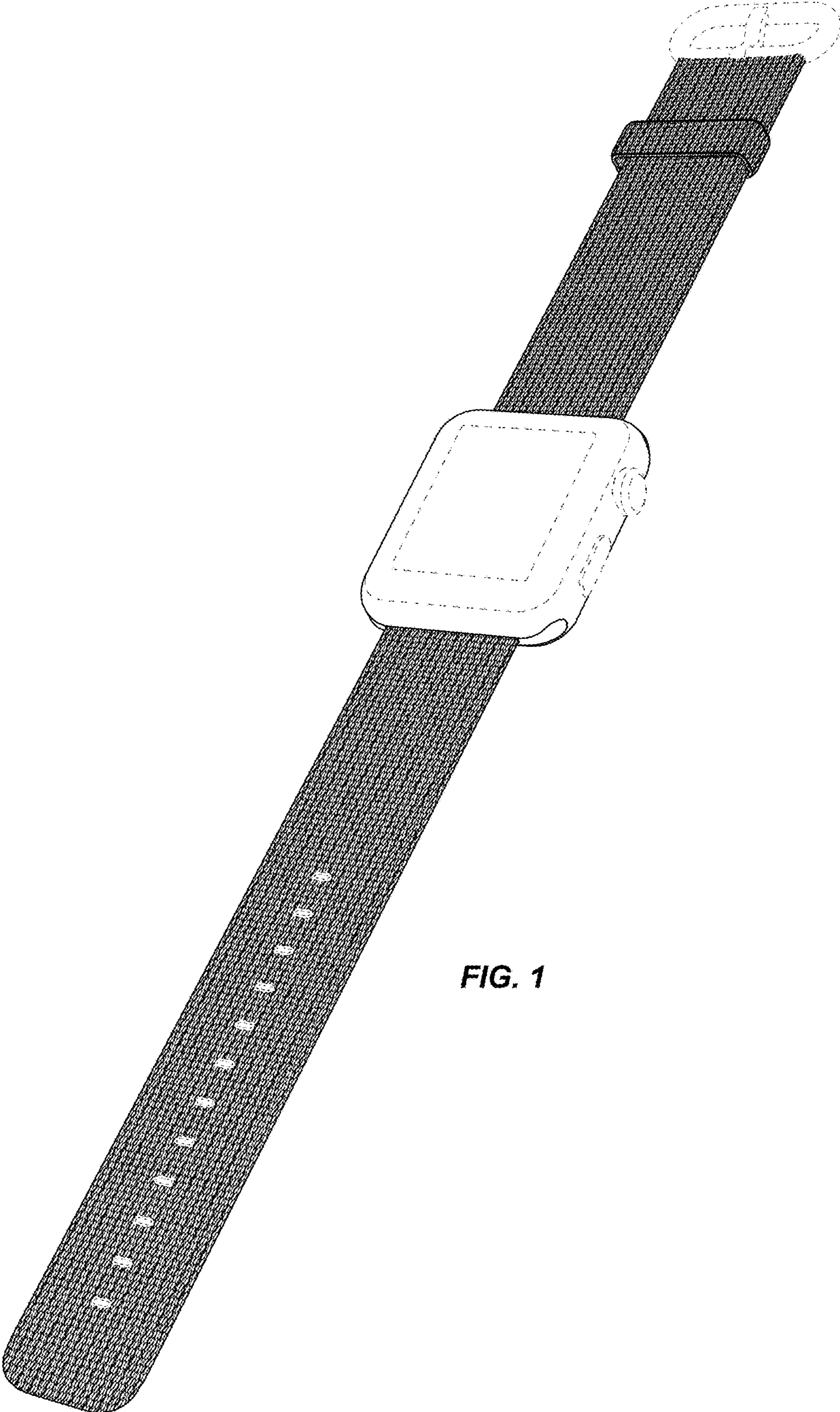


FIG. 1

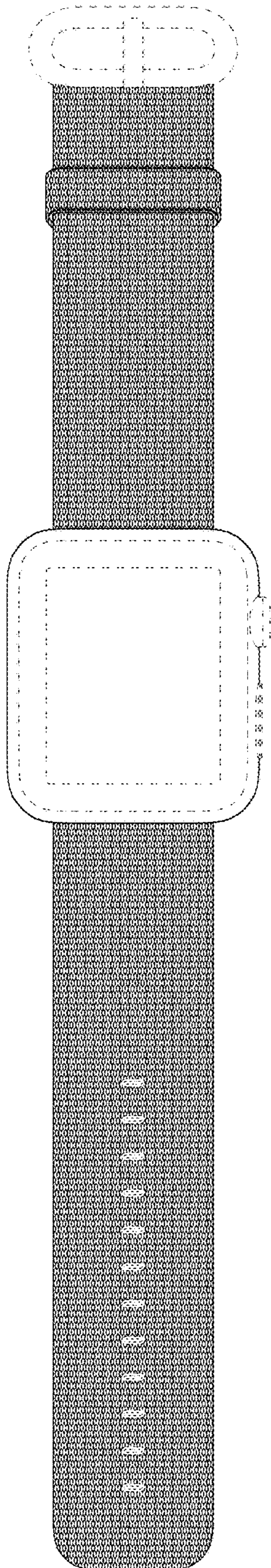


FIG. 2

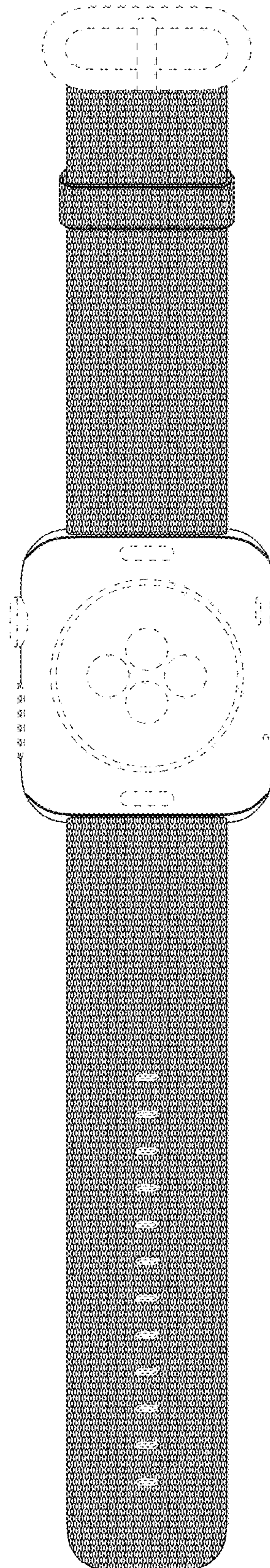


FIG. 3

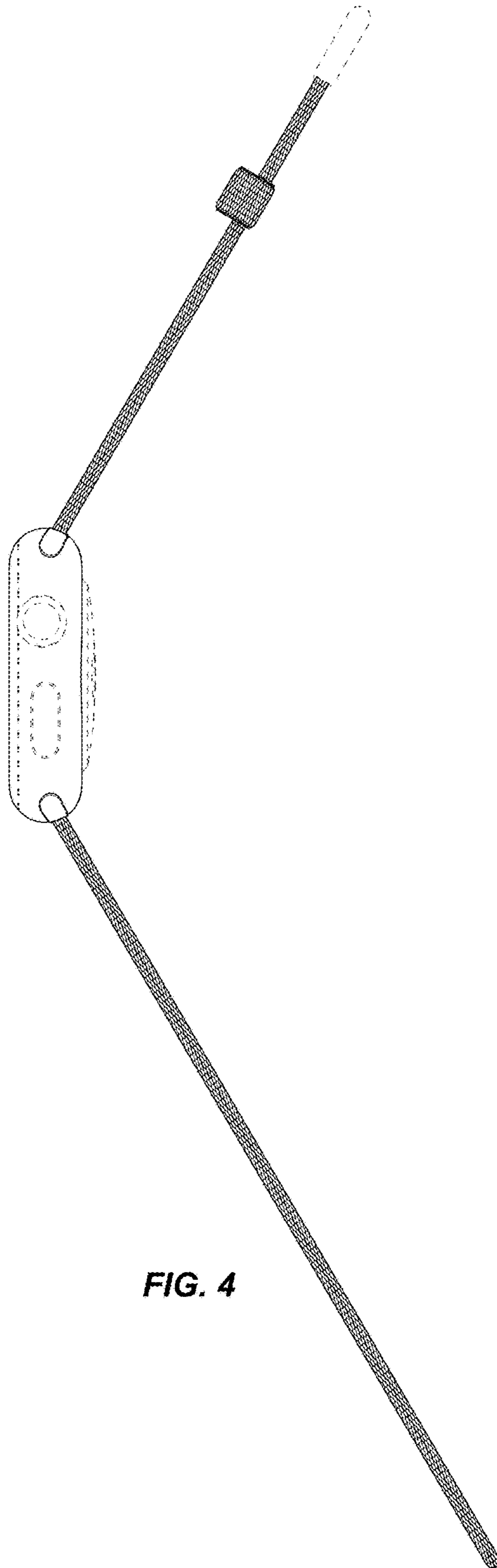


FIG. 4

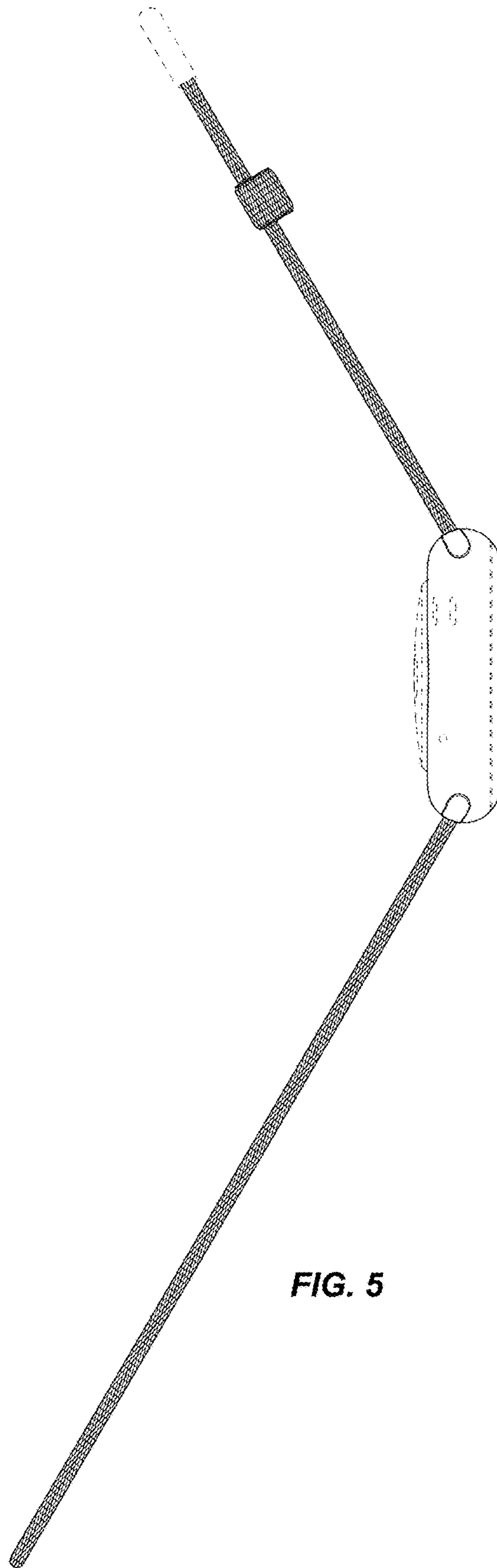


FIG. 5

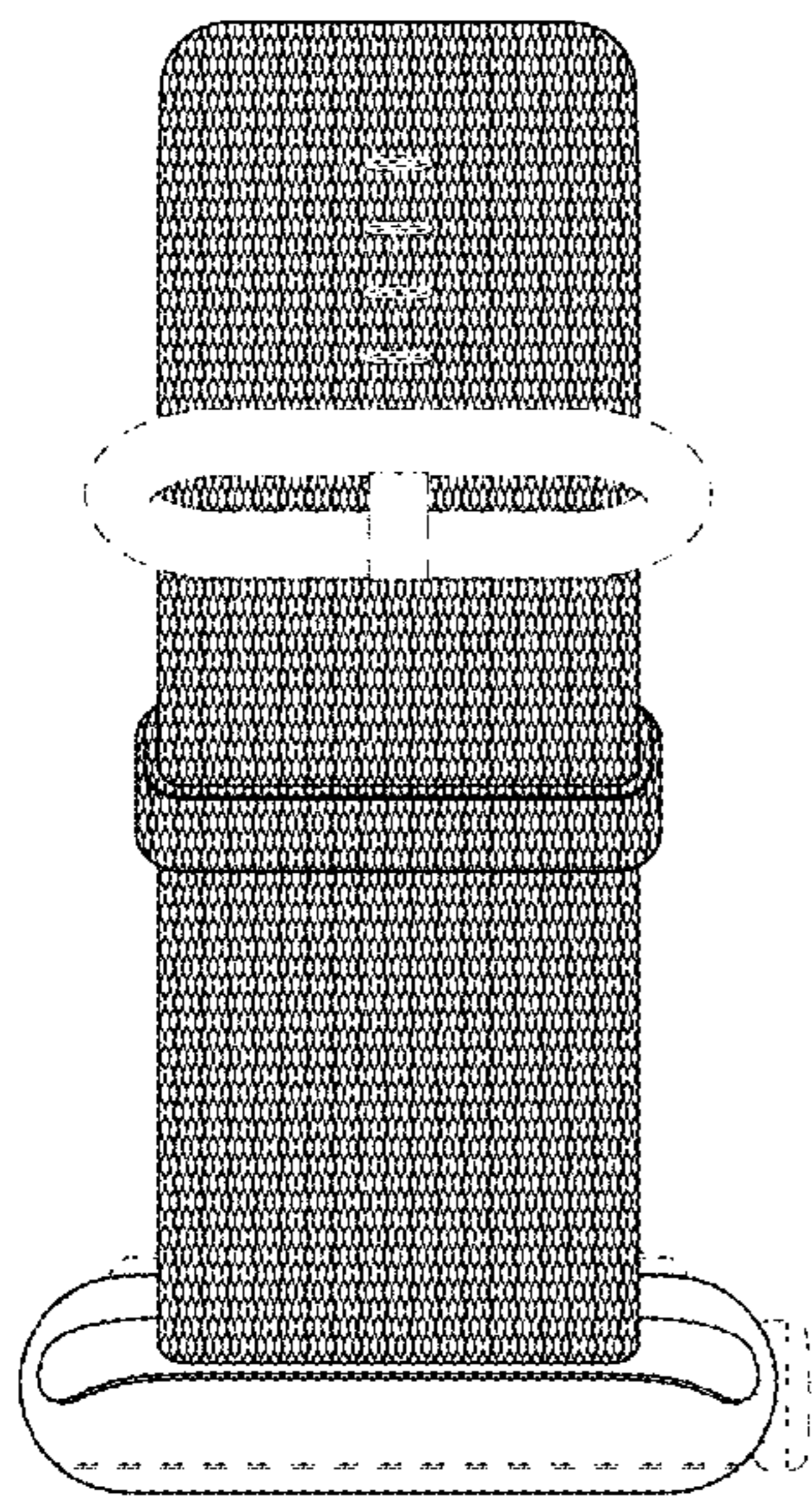


FIG. 6

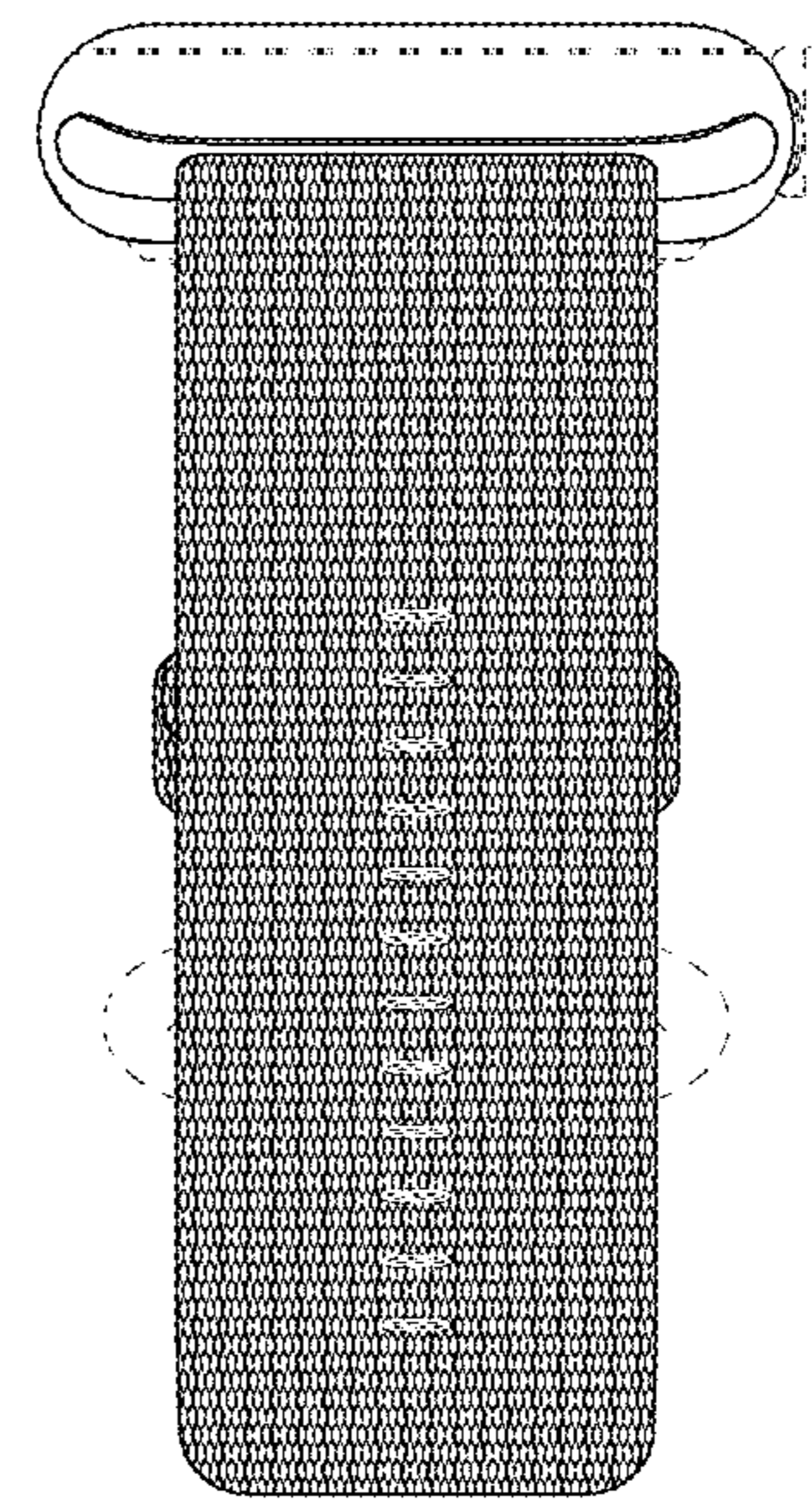


FIG. 7