



US00D781852S

(12) **United States Design Patent**
Yu et al.

(10) **Patent No.:** **US D781,852 S**
(45) **Date of Patent:** **** Mar. 21, 2017**

(54) **ACTIVITY TRACKER BAND**

(71) Applicants: **Anhui Huami Information Technology Co., Ltd.**, Hefei, Anhui (CN); **Huami Inc.**, Sunnyvale, CA (US)

(72) Inventors: **Pengtao Yu**, Mountain View, CA (US); **Xiaoxi Shi**, Mountain View, CA (US); **Wang Huang**, Beijing (CN); **Yi Zhang**, Anhui (CN); **Lian Zhang**, Anhui (CN)

(73) Assignees: **Anhui Huami Information Technology Co., Ltd.**, Hefei, Anhui (CN); **Huami Inc.**, Mountain View, CA (US)

(**) Term: **15 Years**

(21) Appl. No.: **29/542,209**

(22) Filed: **Oct. 12, 2015**

(51) **LOC (10) Cl.** **14-02**

(52) **U.S. Cl.**
USPC **D14/344; D24/186**

(58) **Field of Classification Search**
USPC **D14/344, 138 R, 144, 358; D2/623, 626, D2/639, 878; D8/88, 356; D10/30-39,**
(Continued)

(56) **References Cited**

U.S. PATENT DOCUMENTS

4,473,304 A * 9/1984 Ketner G04B 45/00
368/221
D312,587 S * 12/1990 Bulgari D10/32
(Continued)

OTHER PUBLICATIONS

Which Hardware Companies Could Put Xiaomi Back on Track in 2016?, posted Dec. 28, 2015, [retrieved Aug. 16, 2016]. Retrieved

from Internet, <URL: <http://technode.com/2015/12/28/which-hardware-companies-could-put-xiaomi-back-on-track-in-2016/>>.*

(Continued)

Primary Examiner — Barbara Fox

Assistant Examiner — Kristin E Reed

(74) *Attorney, Agent, or Firm* — Young Basile Hanlon & MacFarlane, P.C.

(57) **CLAIM**

The ornamental design for an activity tracker band, as shown and described.

DESCRIPTION

FIG. 1 is a perspective view of the front and left sides of an activity tracker band according to our new design.

FIG. 2 is a front view of the activity tracker band of FIG. 1.

FIG. 3 is a rear view of the activity tracker band of FIG. 1.

FIG. 4 is a top view of the activity tracker band of FIG. 1.

FIG. 5 is a bottom view of the activity tracker band of FIG. 1.

FIG. 6 is a left side view of the activity tracker band of FIG. 1;

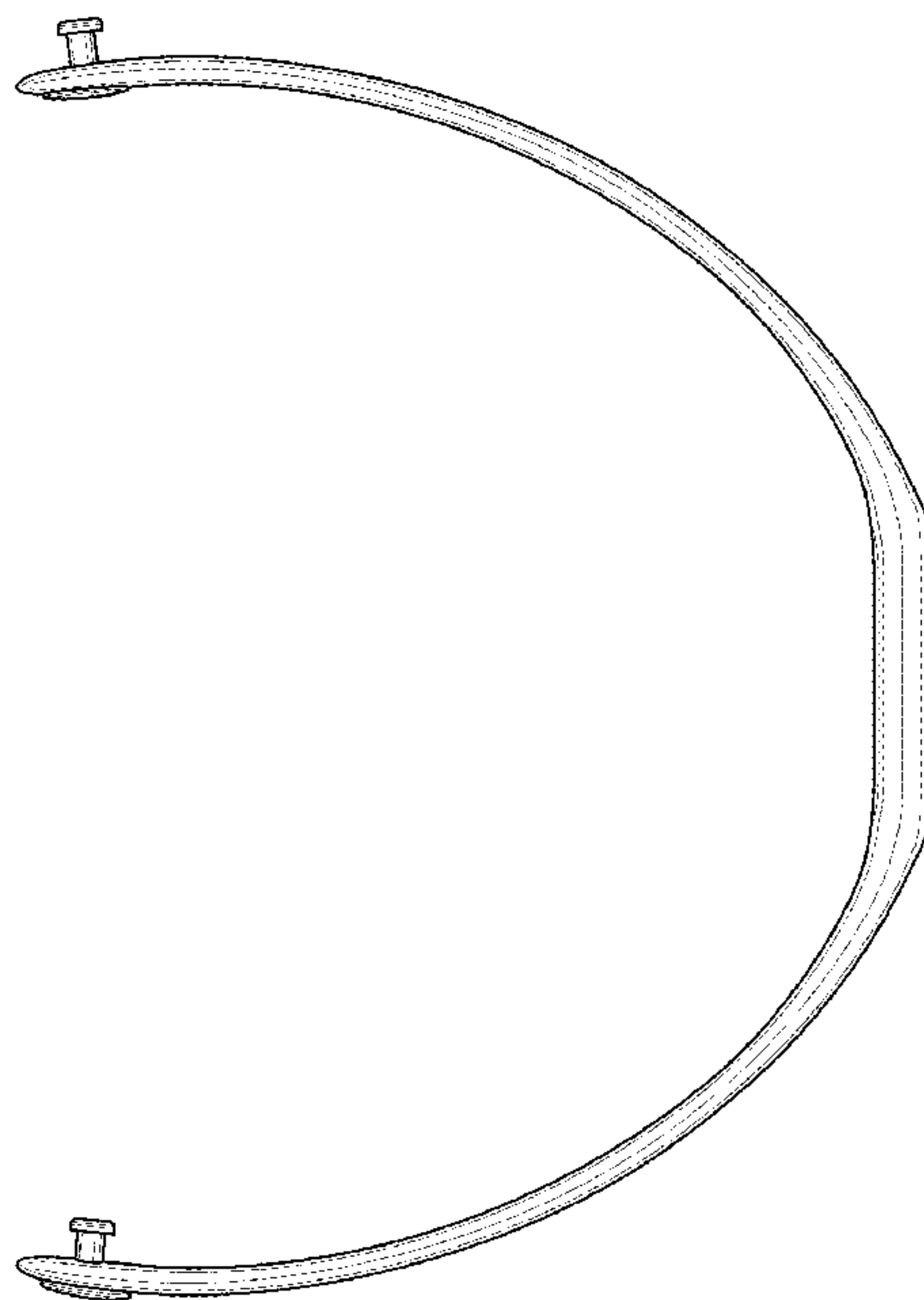
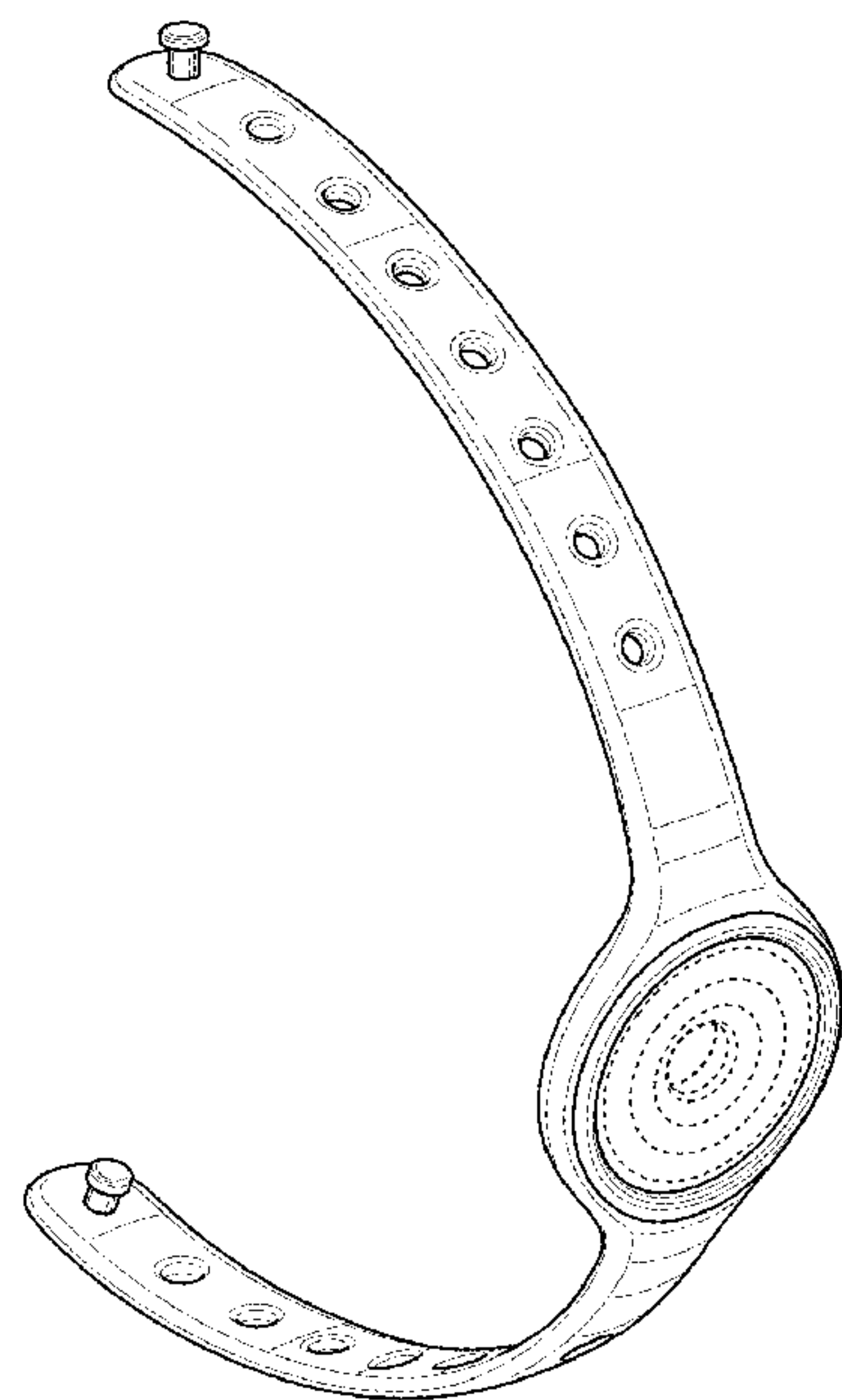
FIG. 7 is a right side view of the activity tracker band of FIG. 1; and,

FIG. 8 is a perspective view of the front and left sides the activity tracker band of FIGS. 1-7 in an alternate, fastened position.

The broken line showing of the activity track module illustrates environment and forms no part of the claimed design.

The ornamental design of the present disclosure is a wrist band for use with an activity tracker module.

1 Claim, 6 Drawing Sheets



(58) **Field of Classification Search**

USPC D10/70, 98; D11/3, 87, 93–94, 200, 201,
 D11/210, 216, 218, 221, 230–231;
 D24/167, 169, 186–187
 CPC G06F 1/163; G06F 1/1628; G06F 1/1626;
 G06F 1/1635; G06F 1/08; G06F 1/10;
 G06F 1/04; G06F 1/14; G06F 1/3203;
 A41D 1/002; H04M 1/02; H04M 1/03;
 H04M 1/04; H04M 1/05; H04M 1/667;
 H04M 1/6058; Y02B 60/1217; H04B
 1/385; H04B 1/3888; H04B 1/3833;
 A44C 5/00

See application file for complete search history.

D688,968 S *	9/2013	Guerrero, II	D11/3
D698,689 S *	2/2014	Boyd	D11/4
D718,170 S *	11/2014	Aumiller	D10/32
D720,248 S *	12/2014	Law	D11/3
D725,510 S *	3/2015	Henning	D10/70
D729,675 S *	5/2015	Behar	D10/103
D729,681 S *	5/2015	Lee	D11/3
D734,330 S *	7/2015	Huang	D14/344
D738,749 S *	9/2015	Bibl	D10/32
D757,583 S *	5/2016	Roush	D10/70
D758,907 S *	6/2016	Kaiser	D11/2
D759,516 S *	6/2016	Ling	D10/30
2013/0020367 A1 *	1/2013	Buckley	A63B 57/353 224/584

(56) **References Cited**

U.S. PATENT DOCUMENTS

D349,257 S *	8/1994	Polenberg	D11/3
D566,580 S *	4/2008	Giorgio	D10/32
7,409,837 B2 *	8/2008	Smith	A44C 17/0216 63/29.1
D584,169 S *	1/2009	Rabati	D10/32
D640,948 S *	7/2011	Quigley	87/1
D687,736 S *	8/2013	Wycoff	D11/3

OTHER PUBLICATIONS

Now You Can Try Fitness Trackers for Free Before You Buy One, posted Jan. 12, 2015, [retrieved Aug. 16, 2016]. Retrieved from Internet, <URL: <http://www.cosmopolitan.com/health-fitness/news/a35203/try-before-you-buy-fitness-trackers/> >.*

Battle!—Garmin Vivosmart versus Misfit Shine versus Fitbit Flex, posted Oct. 5, 2014, [retrieved Aug. 16, 2016]. Retrieved from Internet, <URL: <https://arijaycomet.com/2014/10/05/battle-garmin-vivosmart-versus-misfit-shine-versus-fitbit-flex/> >.*

* cited by examiner

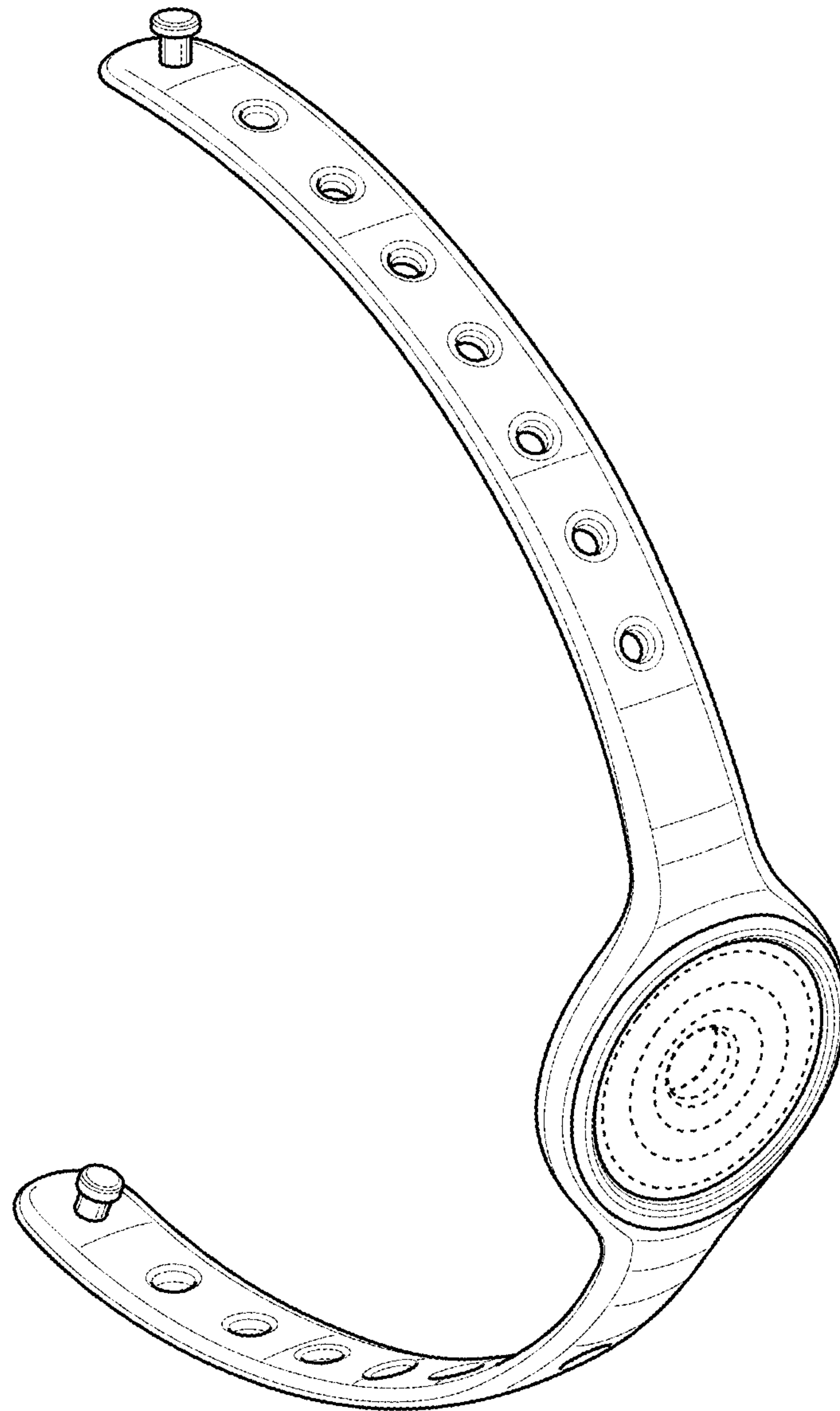


FIG. 1

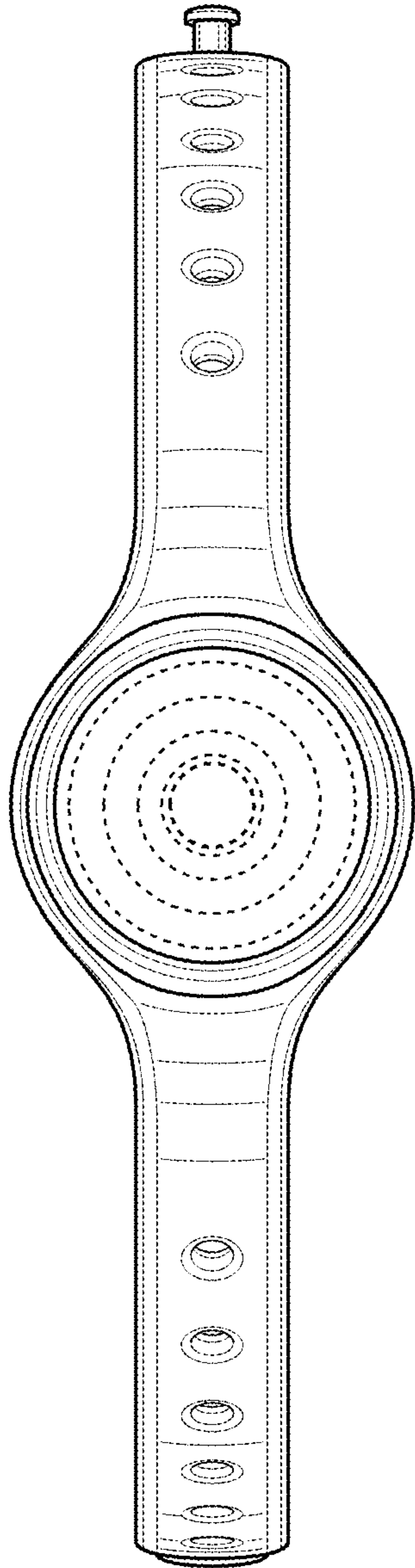


FIG. 2

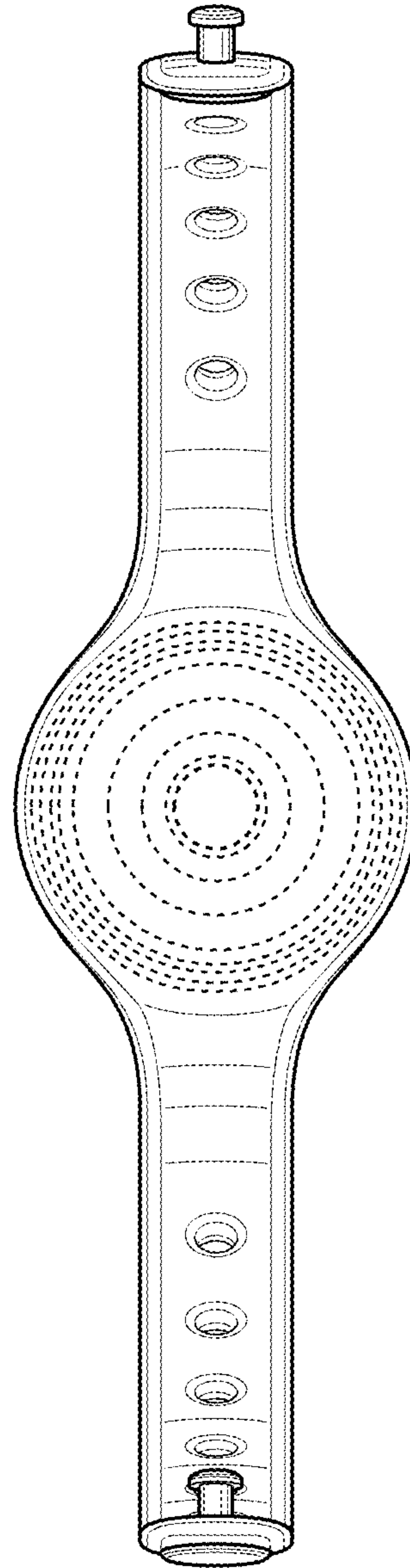


FIG. 3

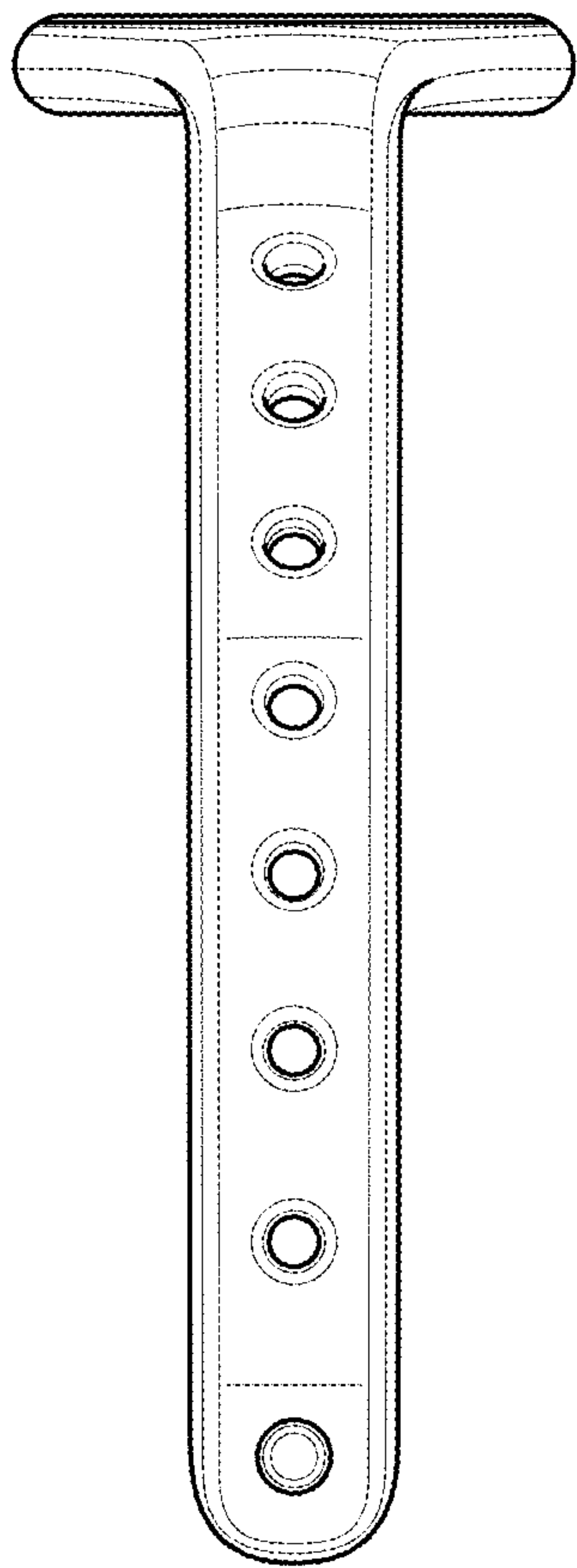


FIG. 4

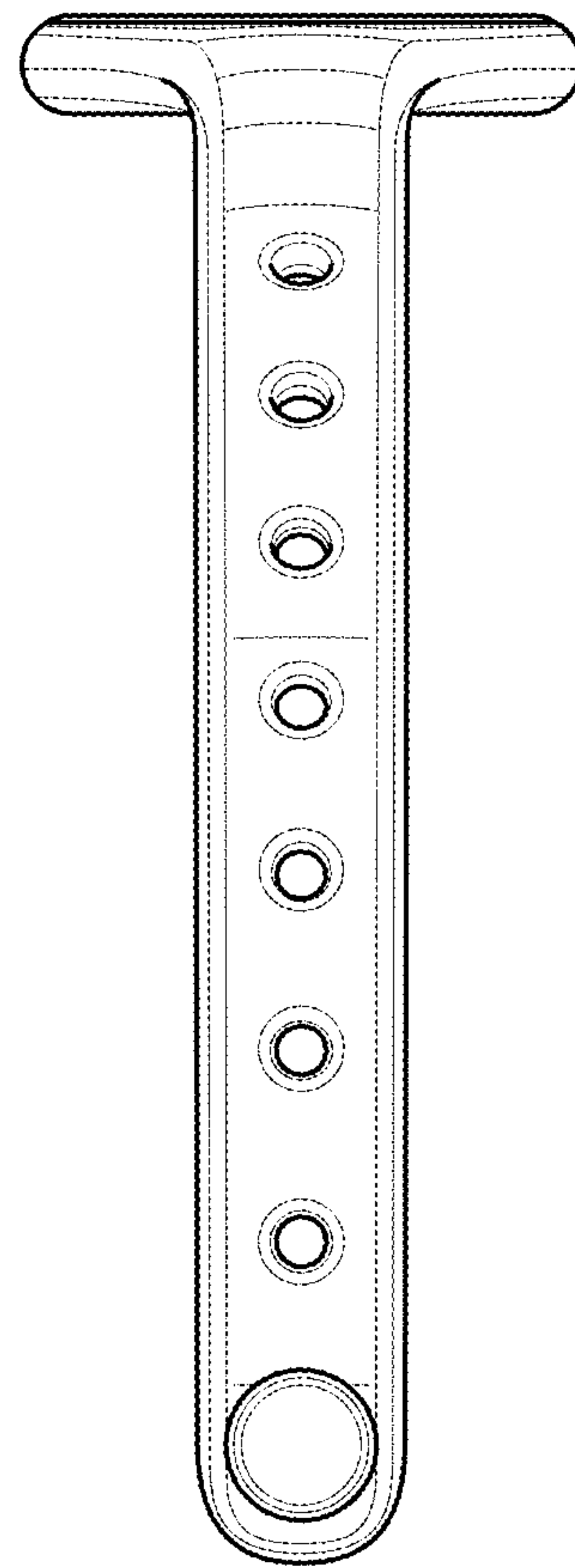


FIG. 5

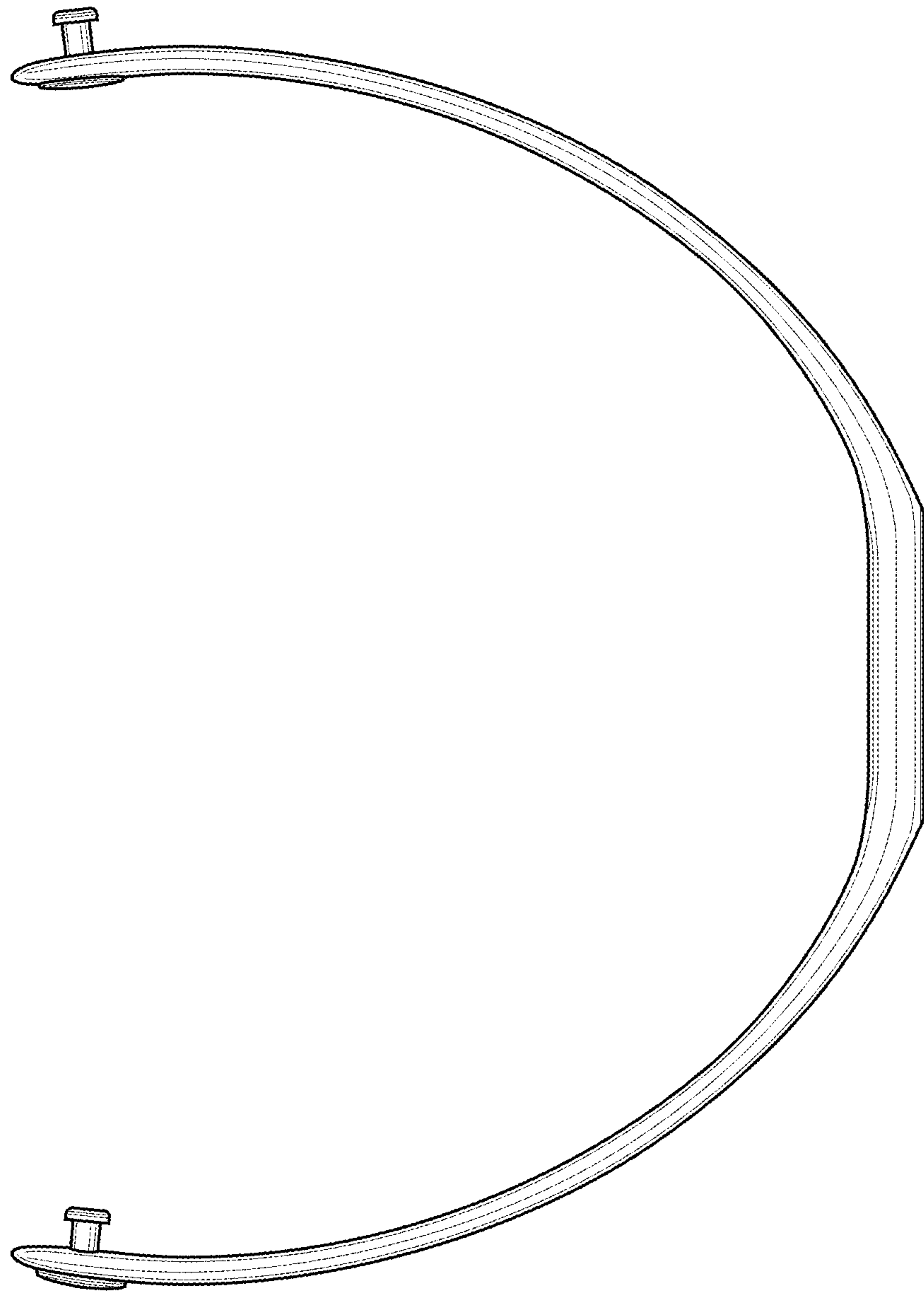


FIG. 6

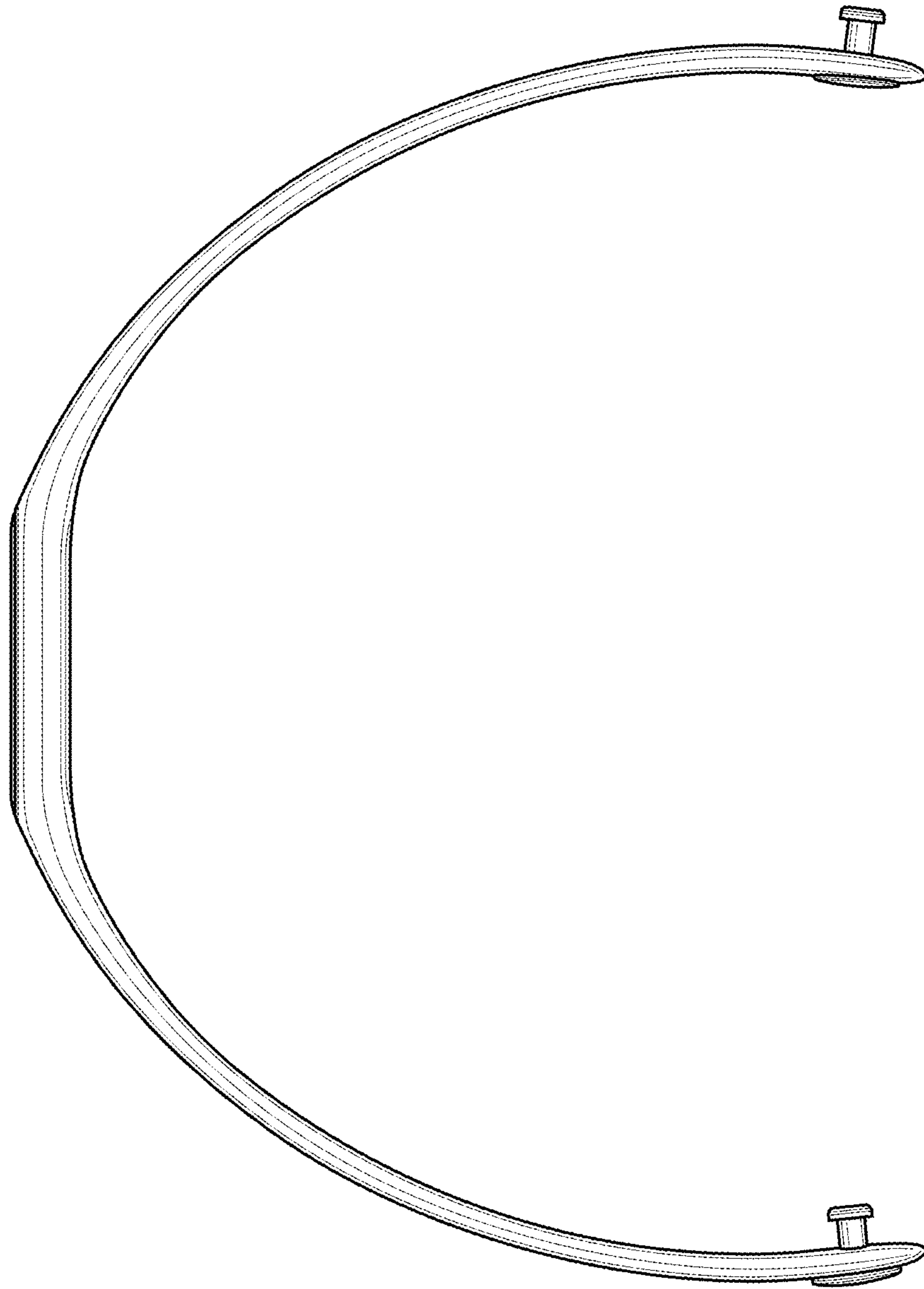


FIG. 7

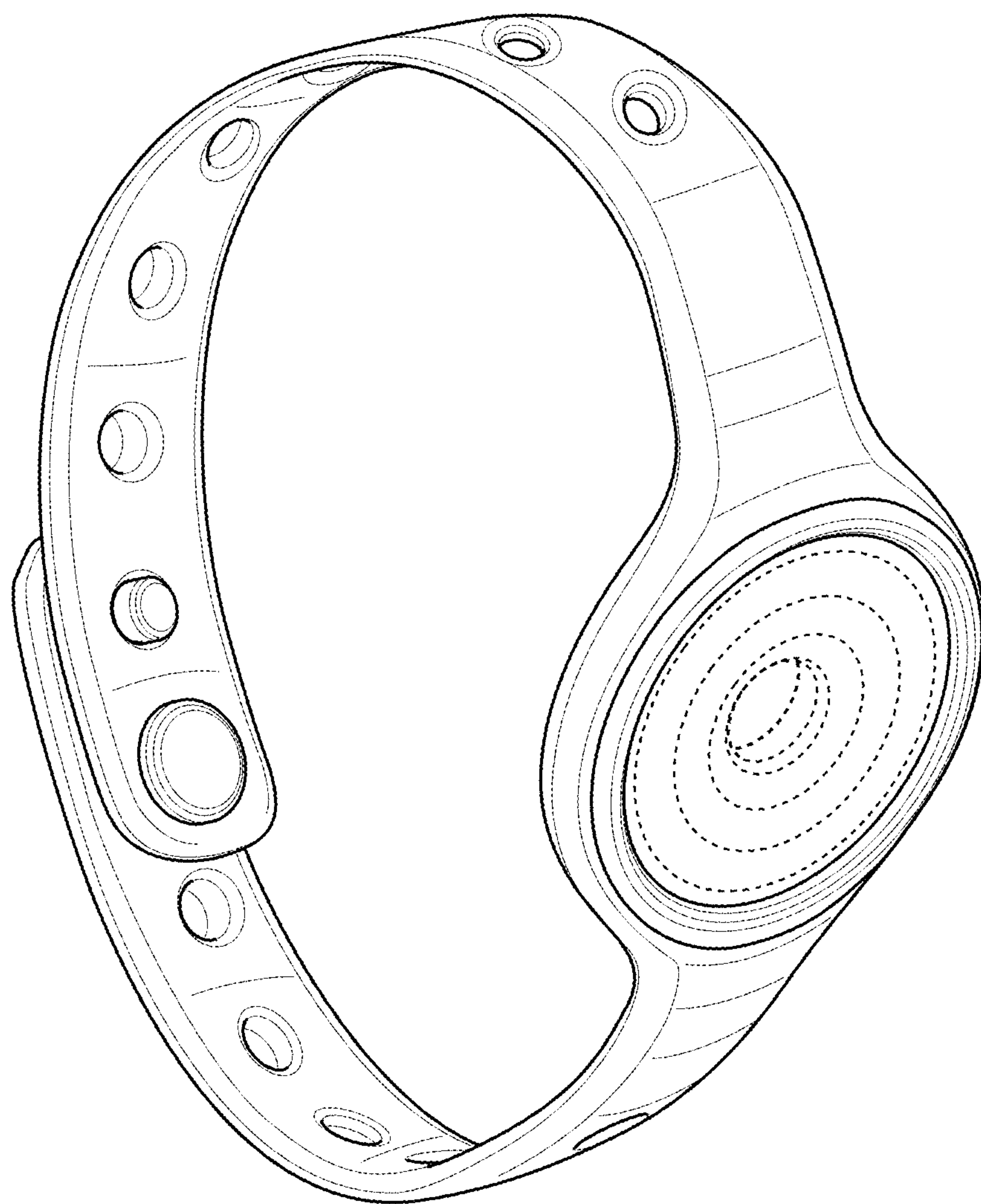


FIG. 8