



US00D781850S

(12) **United States Design Patent**
Tago

(10) **Patent No.:** **US D781,850 S**
(45) **Date of Patent:** **** Mar. 21, 2017**

(54) **WEARABLE COMPUTER**
(71) Applicant: **16Lab Inc.**, Kanagawa (JP)
(72) Inventor: **Manabu Tago**, Tokyo (JP)
(73) Assignee: **16LAB INC.**, Kanagawa (JP)
(**) Term: **14 Years**
(21) Appl. No.: **29/517,864**

D450,614 S * 11/2001 Wilkinson D11/26
D471,471 S * 3/2003 Fu D10/32
D558,198 S * 12/2007 Blankenship D11/2
D560,134 S * 1/2008 Chen D11/4
D589,462 S * 3/2009 Tupinier D13/168
D701,964 S * 4/2014 Yoneta D24/187
D727,195 S * 4/2015 Wanliss-Orlebar D11/3
D733,133 S * 6/2015 Kim D14/344
D735,712 S * 8/2015 Nishimoto D14/344
D753,108 S * 4/2016 Kuwabara D11/26

(Continued)

(22) Filed: **Feb. 18, 2015**
(30) **Foreign Application Priority Data**

Aug. 19, 2014 (JP) 2014-018020

(51) **LOC (10) Cl.** **14-02**
(52) **U.S. Cl.**
USPC **D14/344; D11/26**
(58) **Field of Classification Search**
USPC D2/623, 626, 639, 878; D8/88, 356;
D10/30-39, 70, 98; D11/3, 87, 93-94,
D11/200, 201, 210, 216, 218, 221,
D11/230-231; D14/344, 138 R, 144,
D14/358; D24/167, 169, 186-187
CPC G06F 1/163; G06F 1/1628; G06F 1/1626;
G06F 1/1635; G06F 1/08; G06F 1/10;
G06F 1/04; G06F 1/14; G06F 1/3203;
A41D 1/002; H04M 1/02; H04M 1/03;
H04M 1/04; H04M 1/05; H04M 1/667;
H04M 1/6058; Y02B 60/1217; H04B
1/385; H04B 1/3888; H04B 1/3833;
A44C 5/00
See application file for complete search history.

(56) **References Cited**
U.S. PATENT DOCUMENTS
5,218,577 A * 6/1993 Seager A44C 5/0007
224/165
D432,445 S * 10/2000 Canty D11/26

OTHER PUBLICATIONS

16Lab gesture control ring prototype first look, posted Oct. 8, 2014, [retrieved Oct. 1, 2016]. Retrieved from Internet, <URL:https://www.youtube.com/watch?v=bl3AAlmukqY>.*

Primary Examiner — Barbara Fox
Assistant Examiner — Kristin E Reed
(74) *Attorney, Agent, or Firm* — Cermak Nakajima & McGowan LLP; Tomoko Nakajima

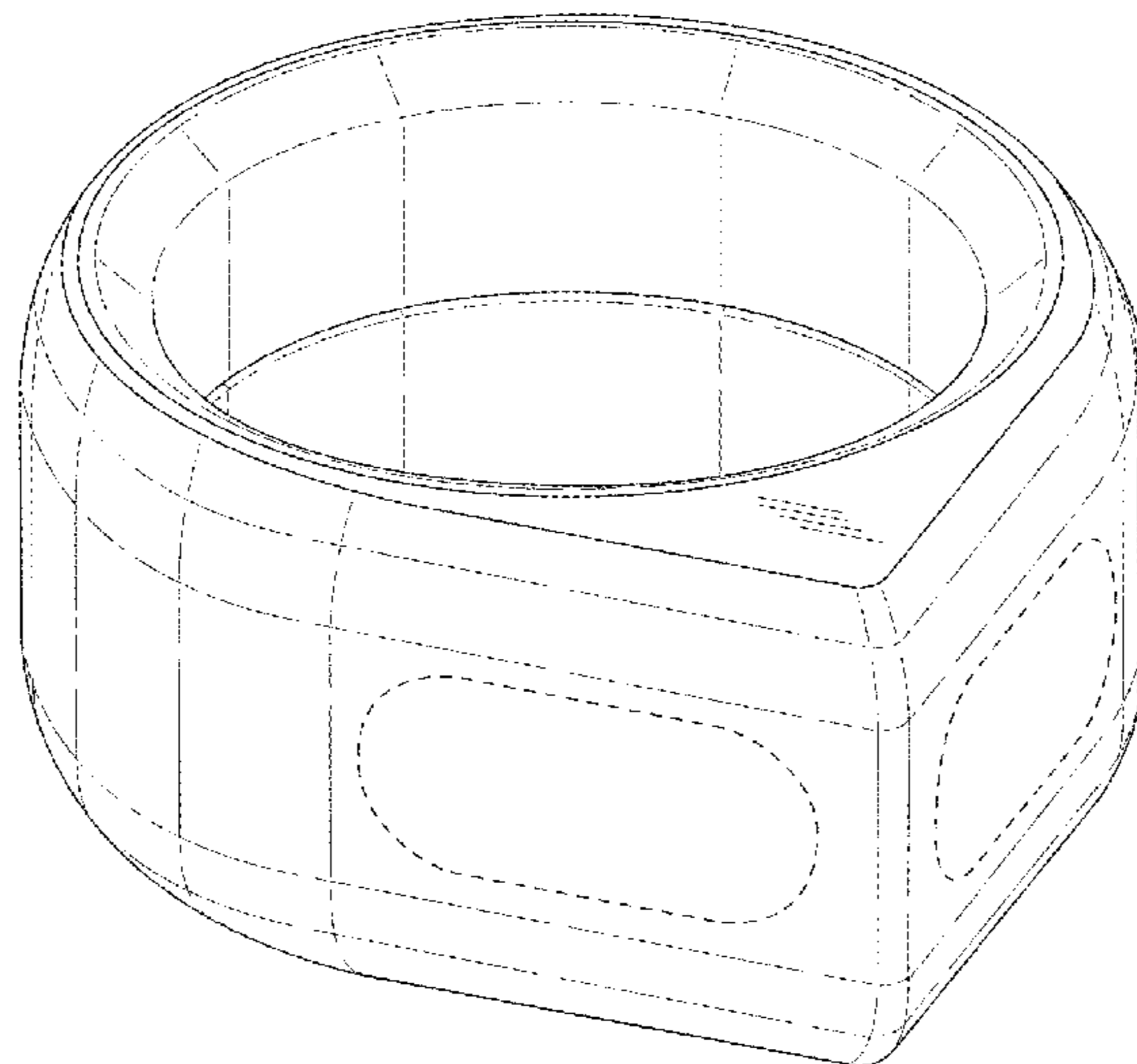
(57) **CLAIM**

The ornamental design for a wearable computer, as shown.

DESCRIPTION

FIG. 1 is a front elevational view of a wearable computer showing my new design;
FIG. 2 is a top plan view thereof;
FIG. 3 is a right side elevational view thereof;
FIG. 4 is a left side elevational view thereof;
FIG. 5 is a rear elevational view thereof;
FIG. 6 is a bottom plan view thereof; and,
FIG. 7 is a front and top perspective view thereof.
The broken lines shown in the drawings illustrate portions of the wearable computer and form no part of the claimed design.

1 Claim, 7 Drawing Sheets



(56)

References Cited

U.S. PATENT DOCUMENTS

D756,999 S * 5/2016 von Badinski D14/344
2008/0208016 A1* 8/2008 Hughes A61B 5/0533
600/301
2015/0220109 A1* 8/2015 von Badinski G01P 15/00
340/539.12
2015/0255860 A1* 9/2015 Lienau et al. H01Q 9/16
343/702

* cited by examiner

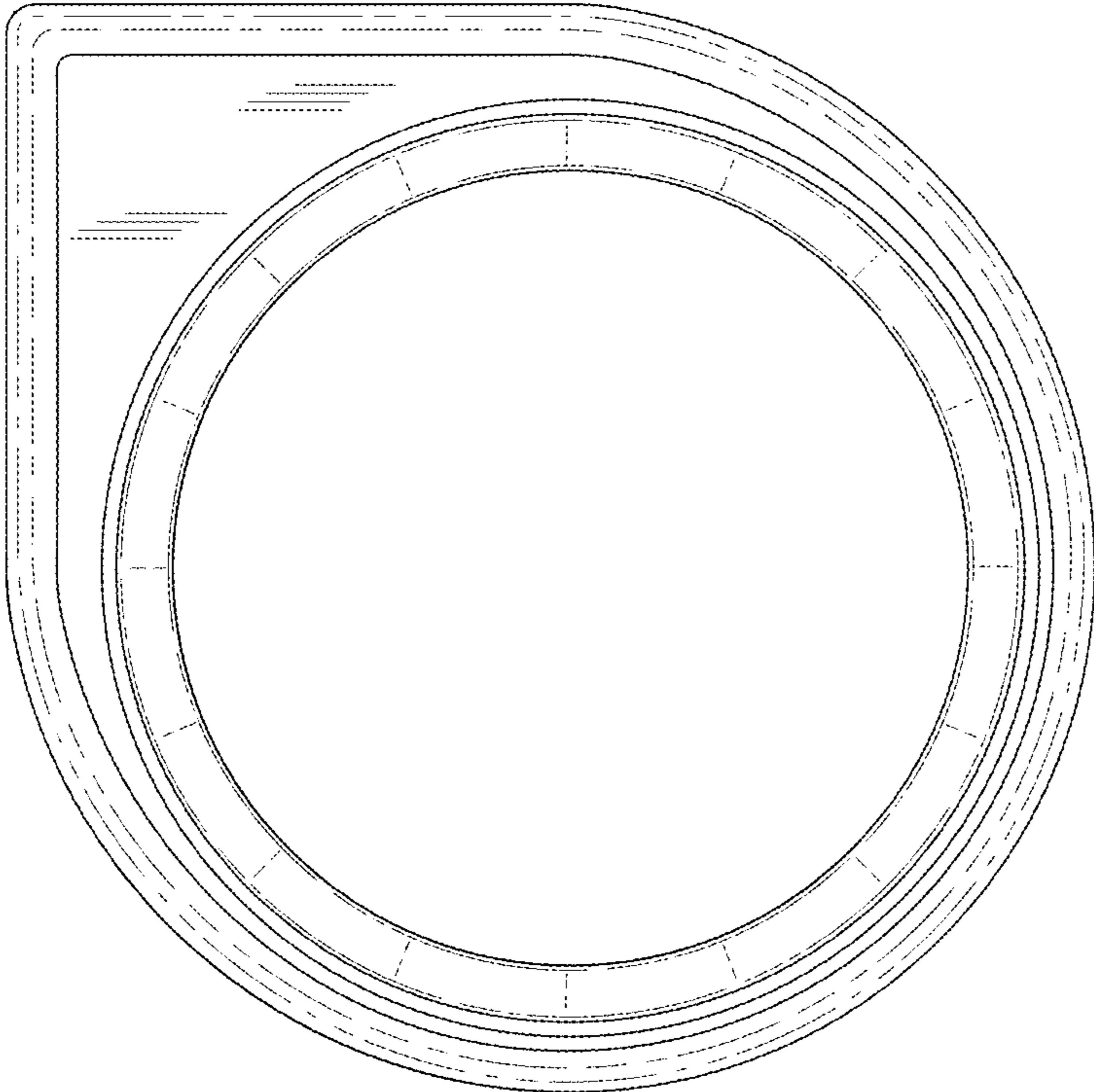


FIG. 1

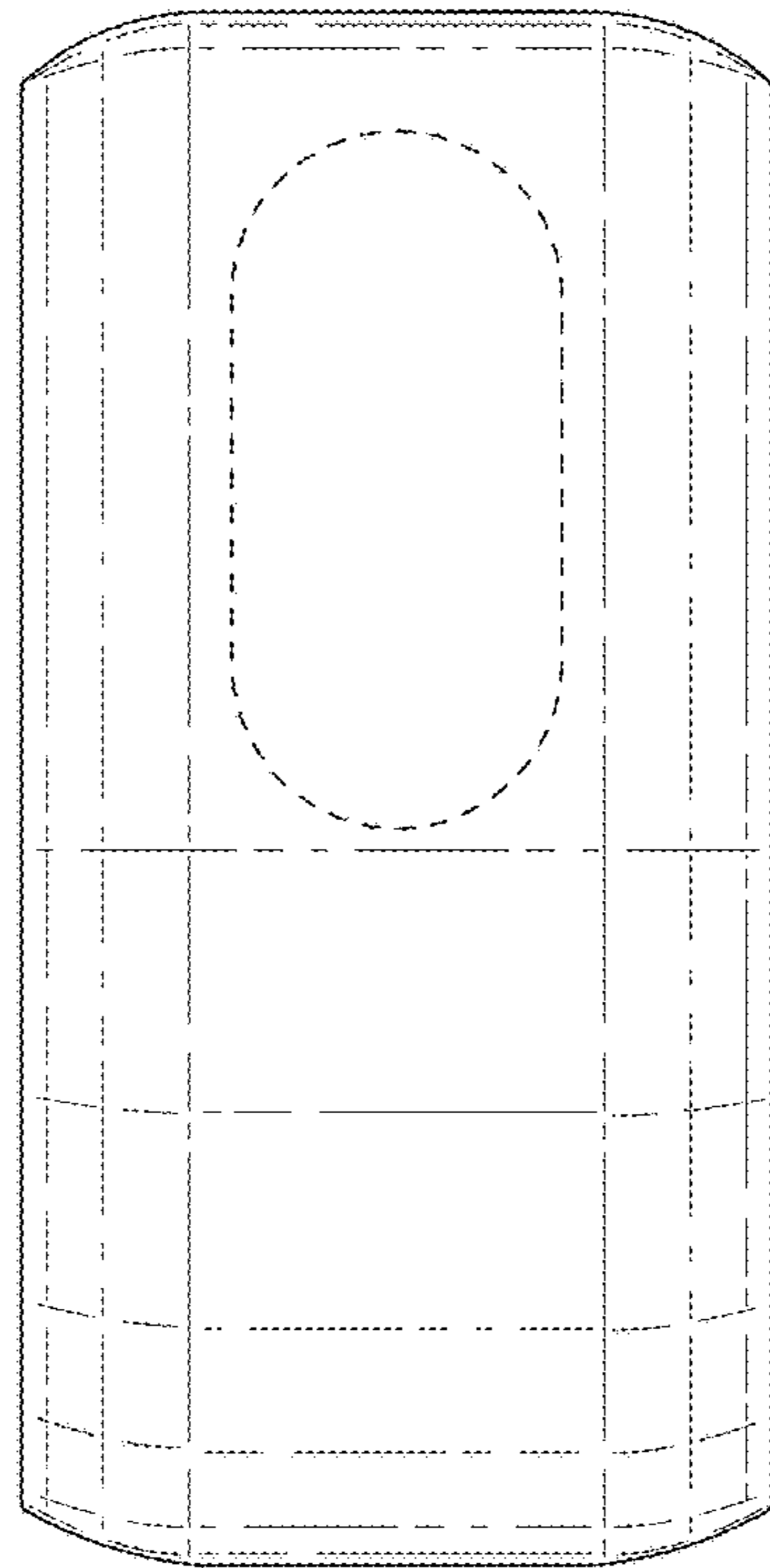


FIG.2

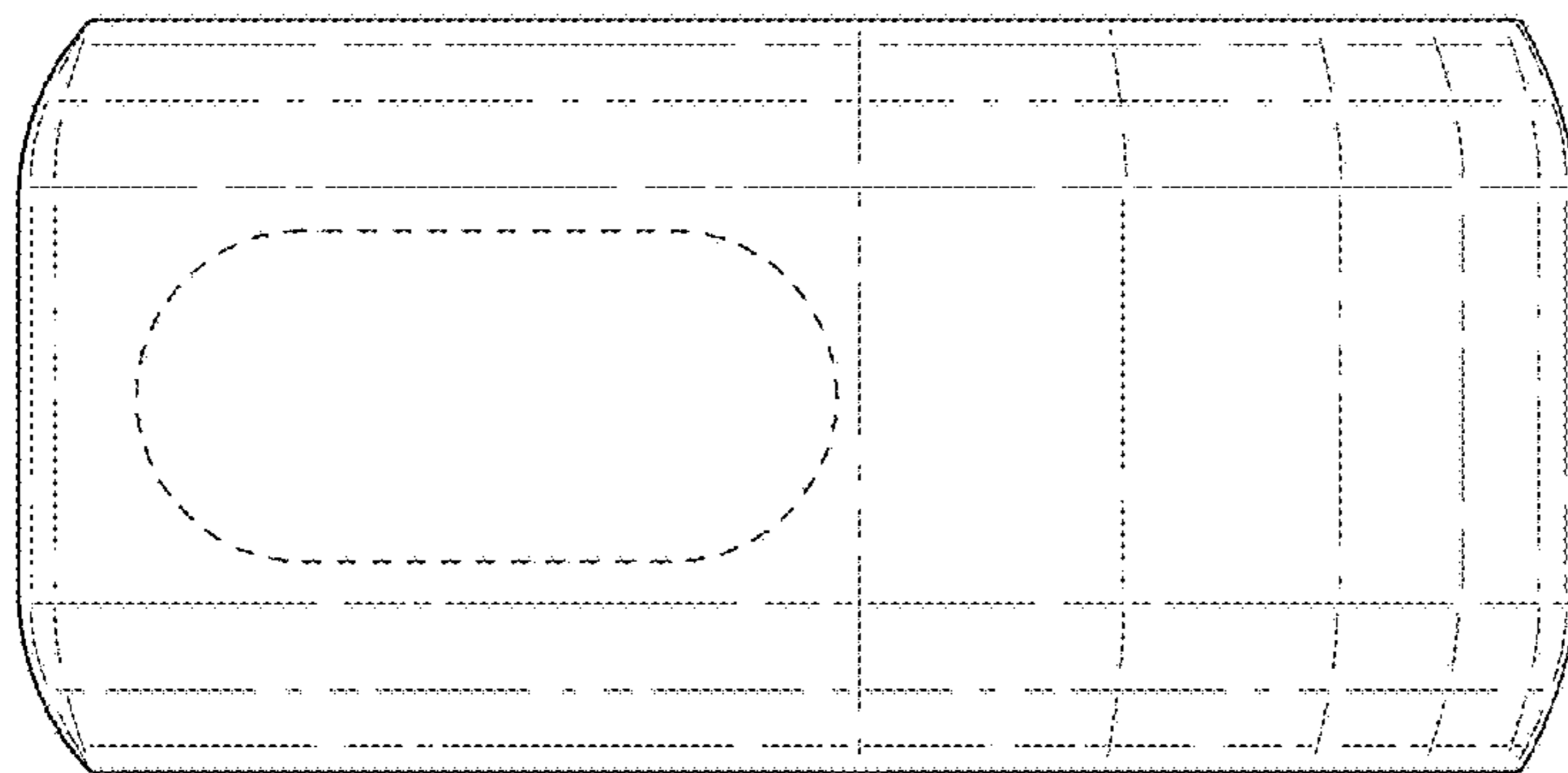


FIG.3

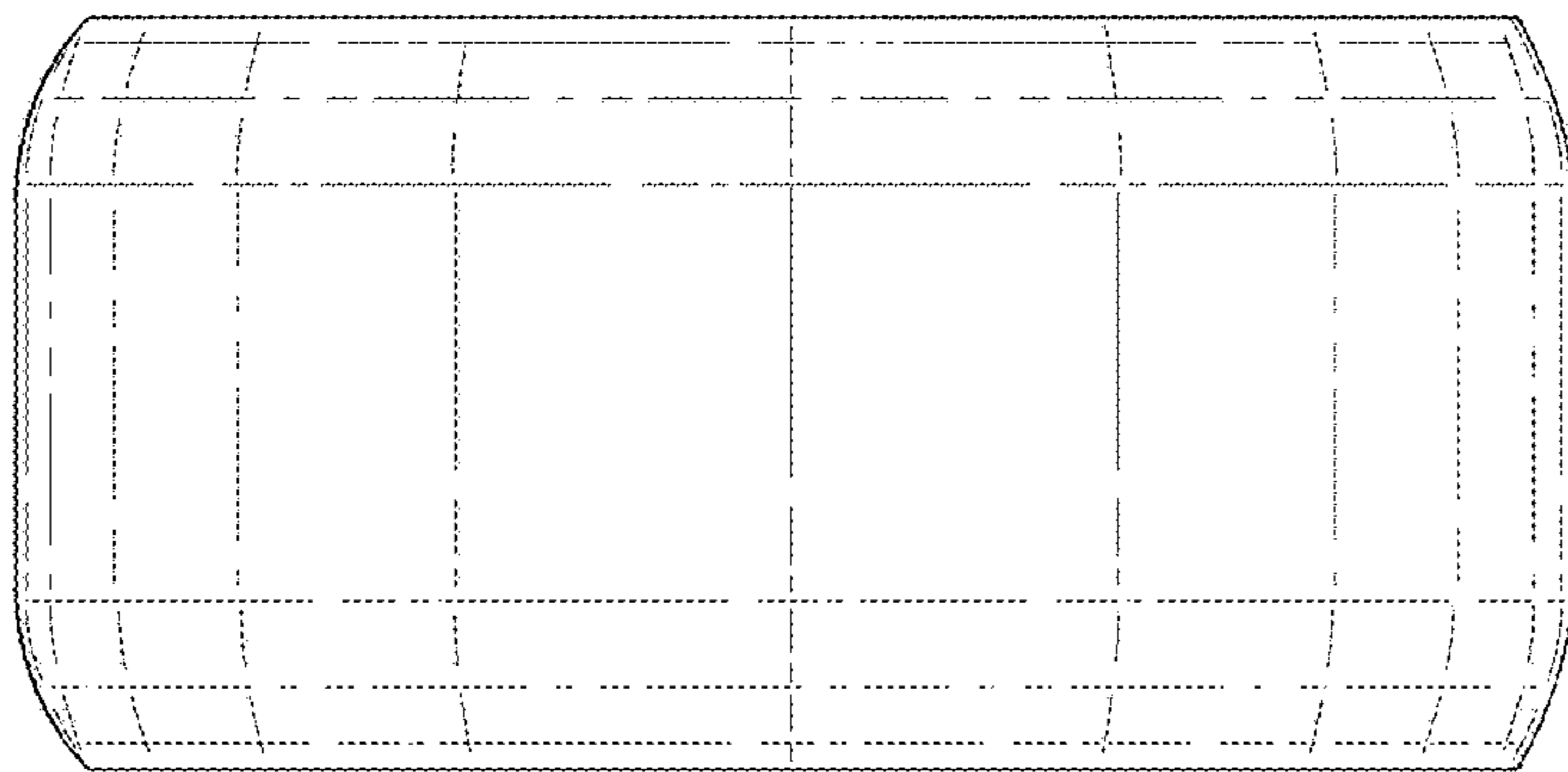


FIG.4

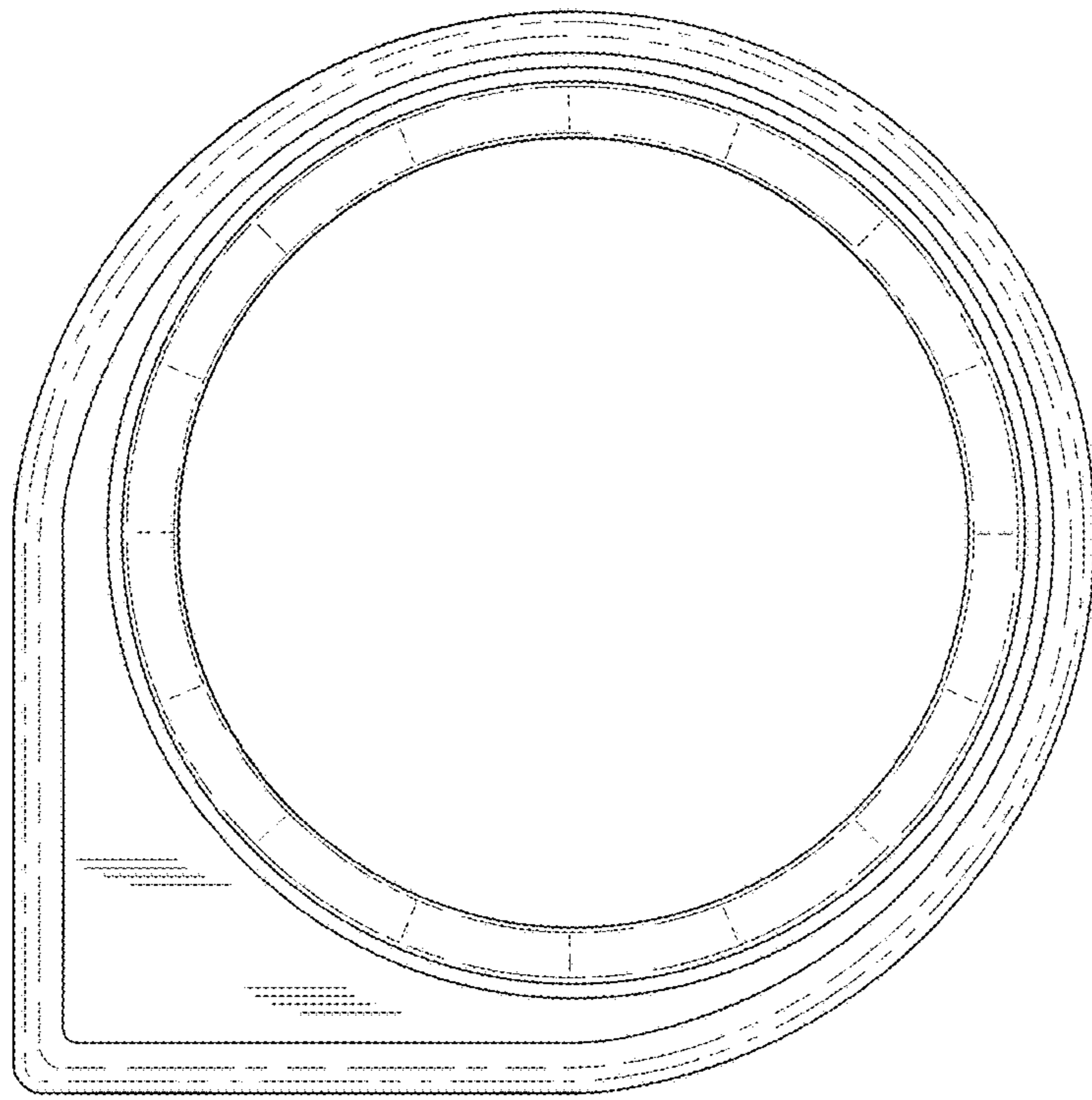


FIG.5

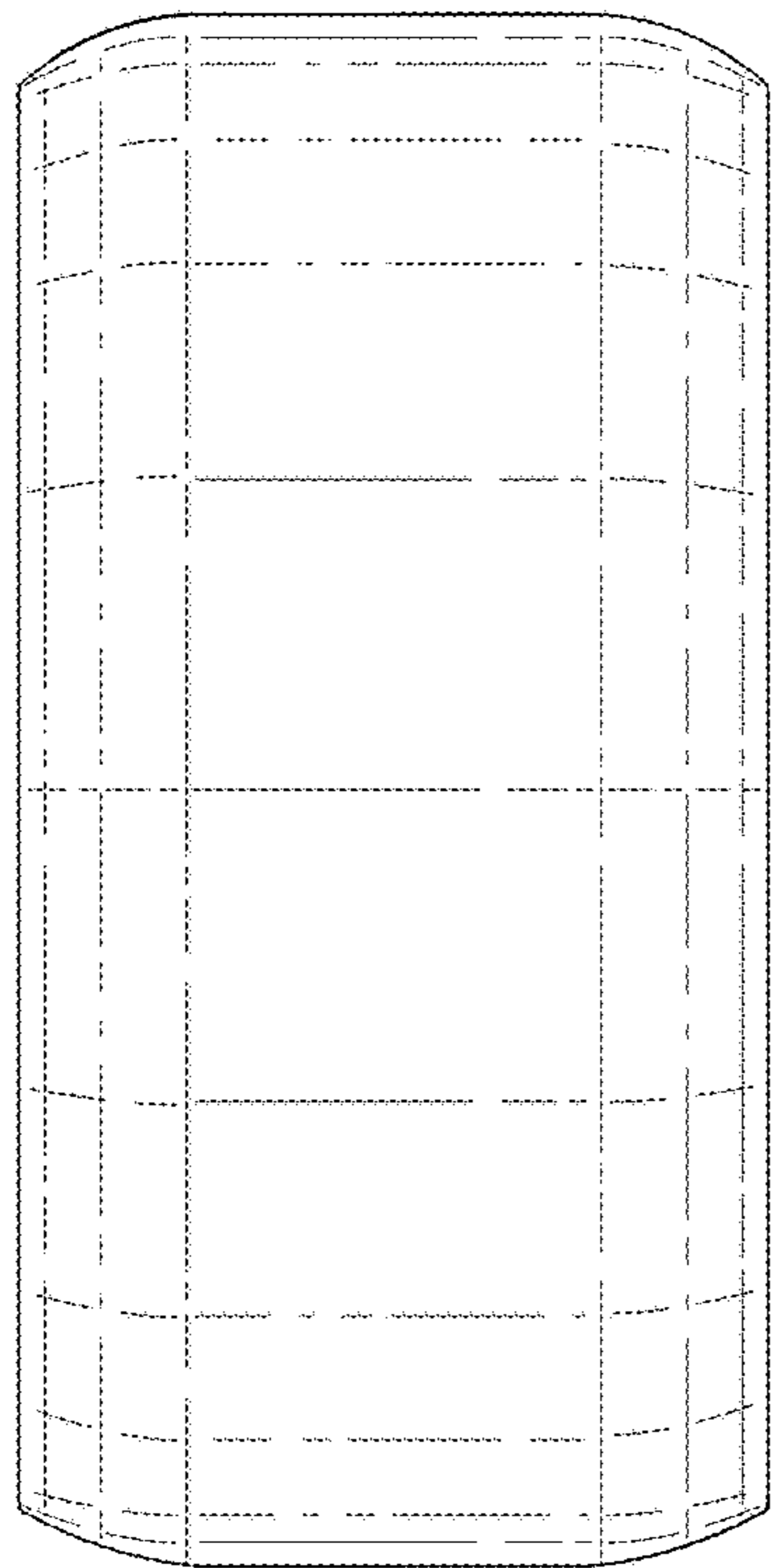


FIG.6

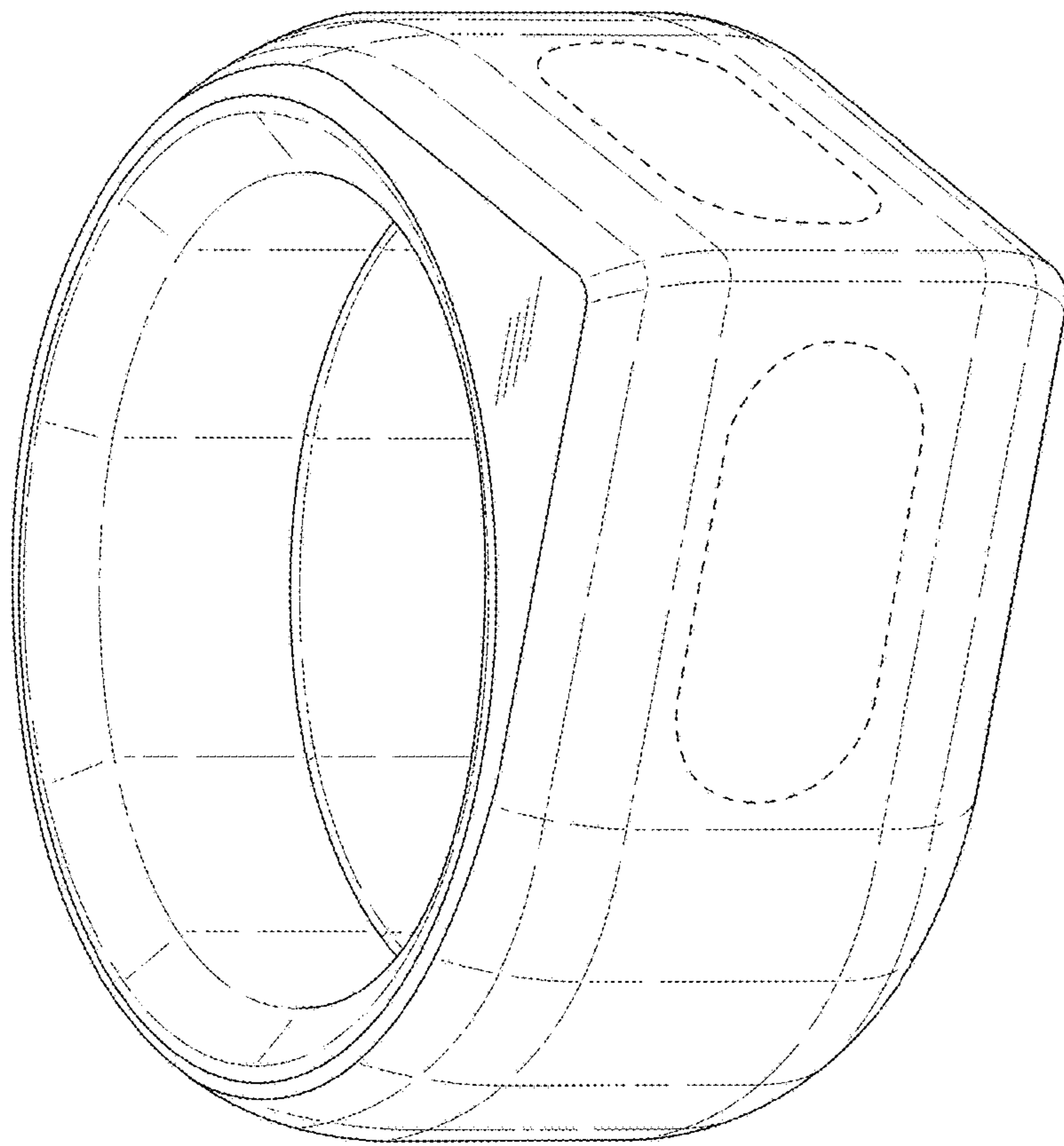


FIG.7