

US00D781849S

(12) **United States Design Patent**
Hong et al.

(10) **Patent No.:** **US D781,849 S**
(45) **Date of Patent:** **** Mar. 21, 2017**

- (54) **ELECTRONIC DEVICE**
- (71) Applicant: **Samsung Electronics Co., Ltd.**,
Suwon-si (KR)
- (72) Inventors: **Kwaneui Hong**, Yongin-si (KR);
Sungkwon Kim, Seoul (KR); **Chungha Kim**, Seoul (KR)
- (73) Assignee: **SAMSUNG ELECTRONICS CO., LTD.**,
Suwon-si (KR)
- (**) Term: **15 Years**
- (21) Appl. No.: **29/548,482**
- (22) Filed: **Dec. 14, 2015**

(30) **Foreign Application Priority Data**

Jun. 24, 2015 (KR) 30-2015-0031953

(51) **LOC (10) Cl.** **14-02**

(52) **U.S. Cl.**
USPC **D14/341**

(58) **Field of Classification Search**
USPC D14/253, 440, 203.1, 203.4, 203.7,
D14/341-347, 337, 374, 138, 138 AB,
D14/496, 447, 315, 316; D10/65;
D21/329, 330; D6/310
CPC G06F 3/016; G06F 3/0202; G06F 3/04845;
G06F 13/385; H04N 17/00; H04N 5/30;
H04N 5/66; H04N 5/2251; H04M 1/0214
See application file for complete search history.

(56) **References Cited**

U.S. PATENT DOCUMENTS

- 5,012,611 A * 5/1991 Hsu E06B 7/18
49/225
- D461,111 S * 8/2002 Gartner D8/301
- D629,373 S * 12/2010 Kim D14/126

- D678,883 S * 3/2013 Lim D14/392
- D688,237 S * 8/2013 Paulhac et al.
- D692,407 S * 10/2013 Kim D14/138 AD
- D693,821 S * 11/2013 Bates D14/440
- D719,152 S * 12/2014 Ahn D14/345
- D728,496 S * 5/2015 Kim D14/126
- D733,132 S * 6/2015 Kim D14/344

(Continued)

FOREIGN PATENT DOCUMENTS

EM	001427058-0003	1/2015
KR	30-0783066	2/2015

Primary Examiner — Barbara Fox

Assistant Examiner — Dana K Weiland

(74) *Attorney, Agent, or Firm* — McAndrews Held & Malloy, Ltd.

(57) **CLAIM**

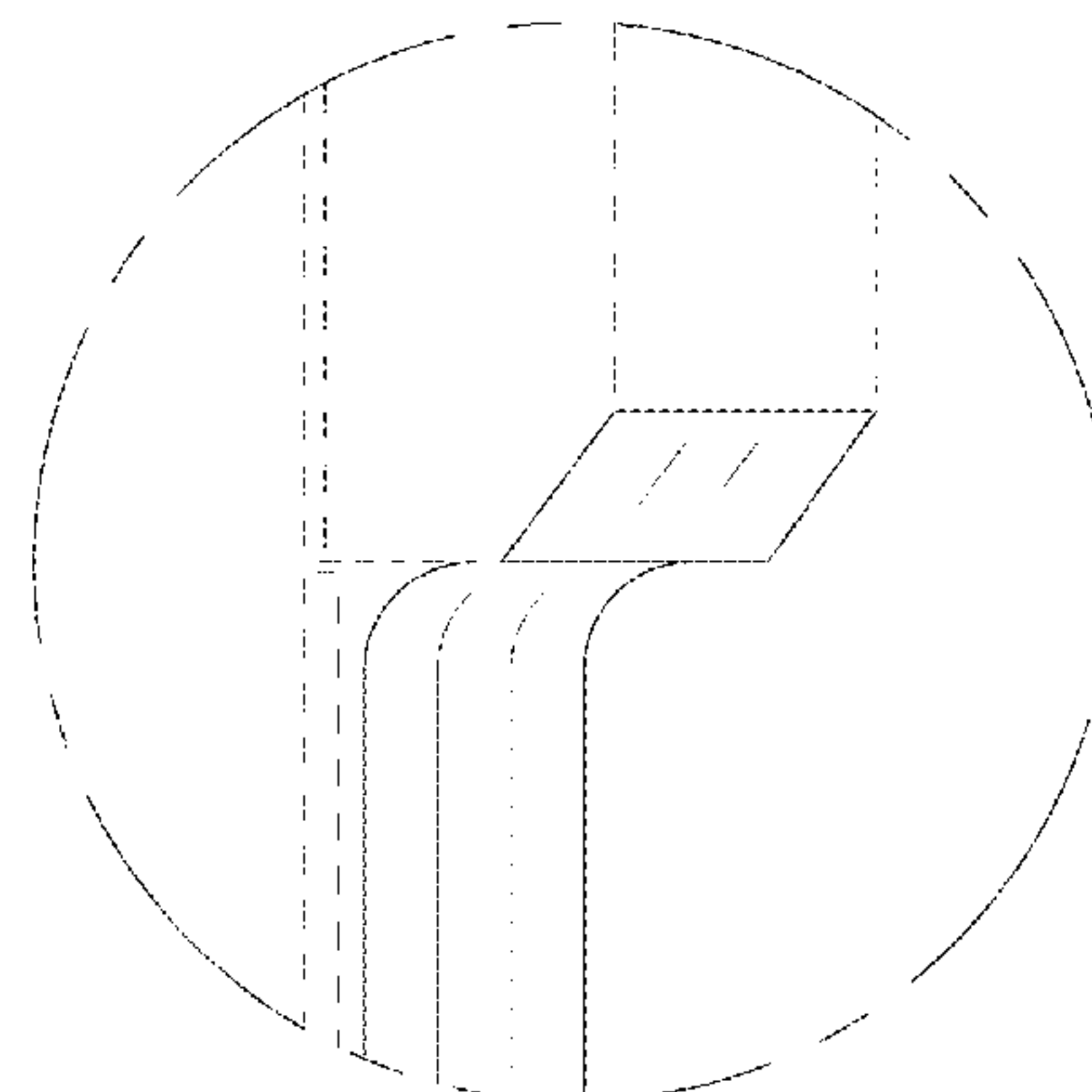
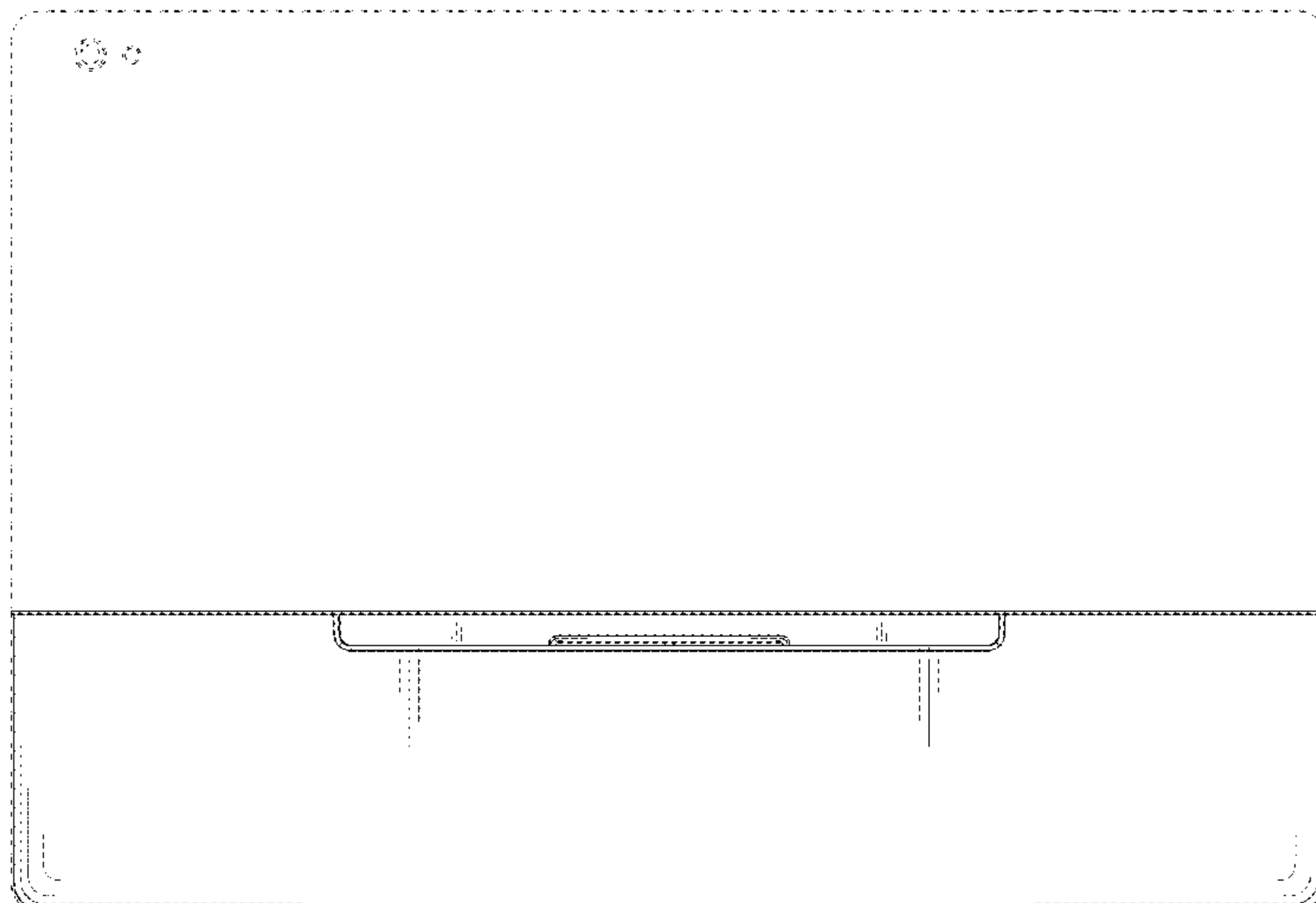
The ornamental design for an electronic device, as shown and described.

DESCRIPTION

FIG. 1 is a rear perspective view of an electronic device showing our new design;
FIG. 2 is a rear elevation view thereof;
FIG. 3 is a front elevation view thereof;
FIG. 4 is a right-side elevation view thereof;
FIG. 5 is a left-side elevation view thereof;
FIG. 6 is a top plan view thereof;
FIG. 7 is a bottom plan view thereof; and,
FIG. 8 is an enlarged view of the portion encircled in FIG. 4.

The dashed broken lines depict portions of the electronic device that form no part of the claimed design.
The dot-dash broken lines encircle portions of the claimed design that are illustrated in enlargements and form no part of the claimed design.

1 Claim, 7 Drawing Sheets



(56)

References Cited

U.S. PATENT DOCUMENTS

D735,188	S	*	7/2015	Oh	D14/341
D736,755	S	*	8/2015	Kwak	D14/248
D740,326	S	*	10/2015	Jung	D14/496
D741,070	S	*	10/2015	Martin	D14/375
D741,319	S	*	10/2015	Yun	D14/341
D742,886	S	*	11/2015	Zheng	D14/434
D751,063	S	*	3/2016	Lin	D14/341
D761,795	S	*	7/2016	Heinrich	D14/372
D766,890	S	*	9/2016	Park	D14/341
D767,530	S	*	9/2016	Bae	D14/203.3
D767,563	S	*	9/2016	Satzger	D14/341
D768,624	S	*	10/2016	Bae	D14/331
D769,243	S	*	10/2016	Wu	D14/374
D769,248	S	*	10/2016	Biondo	D14/447
2012/0268887	A1	*	10/2012	Pan	H05K 5/0278 361/679.32

* cited by examiner

FIG. 1

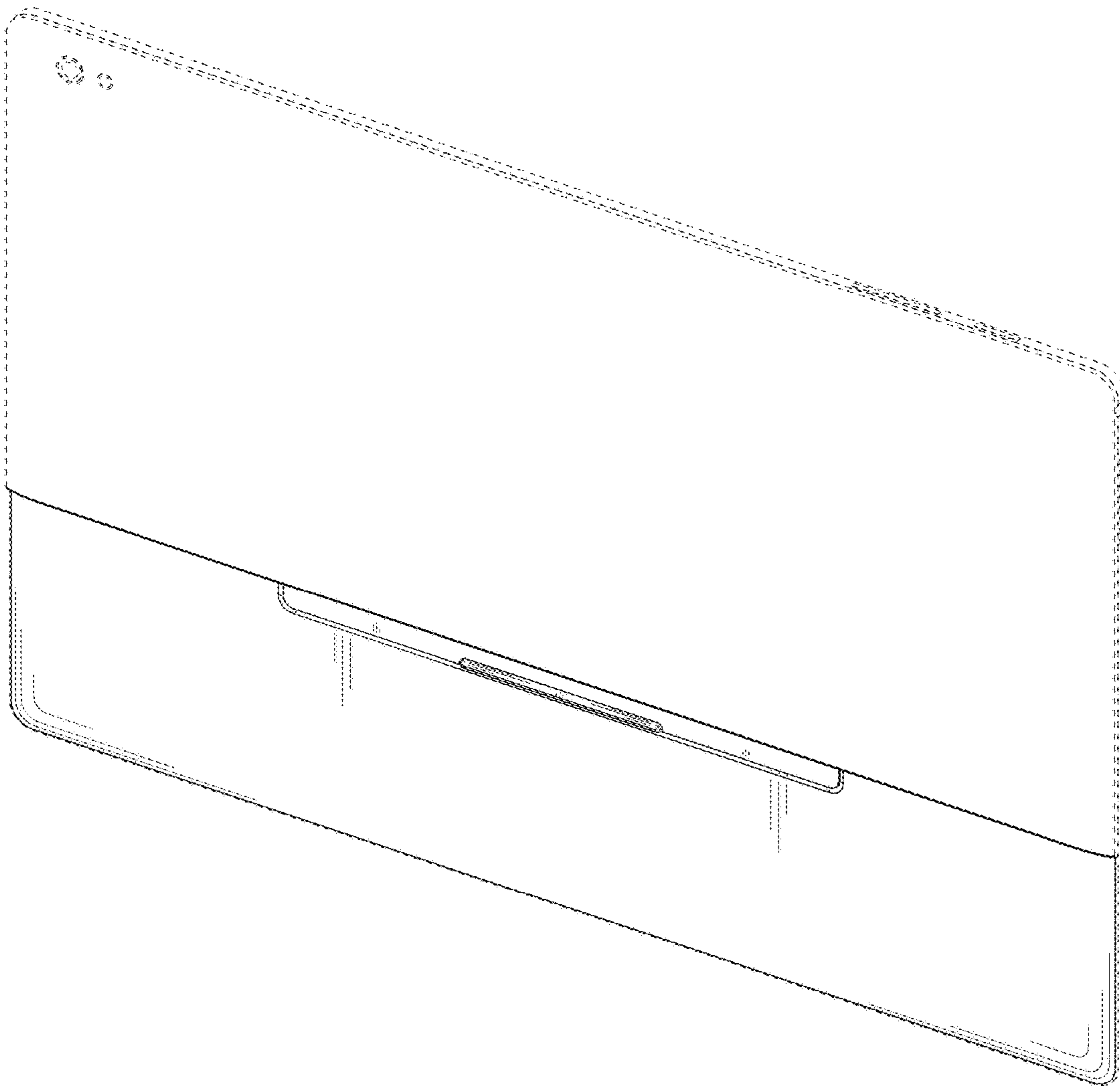


FIG. 2

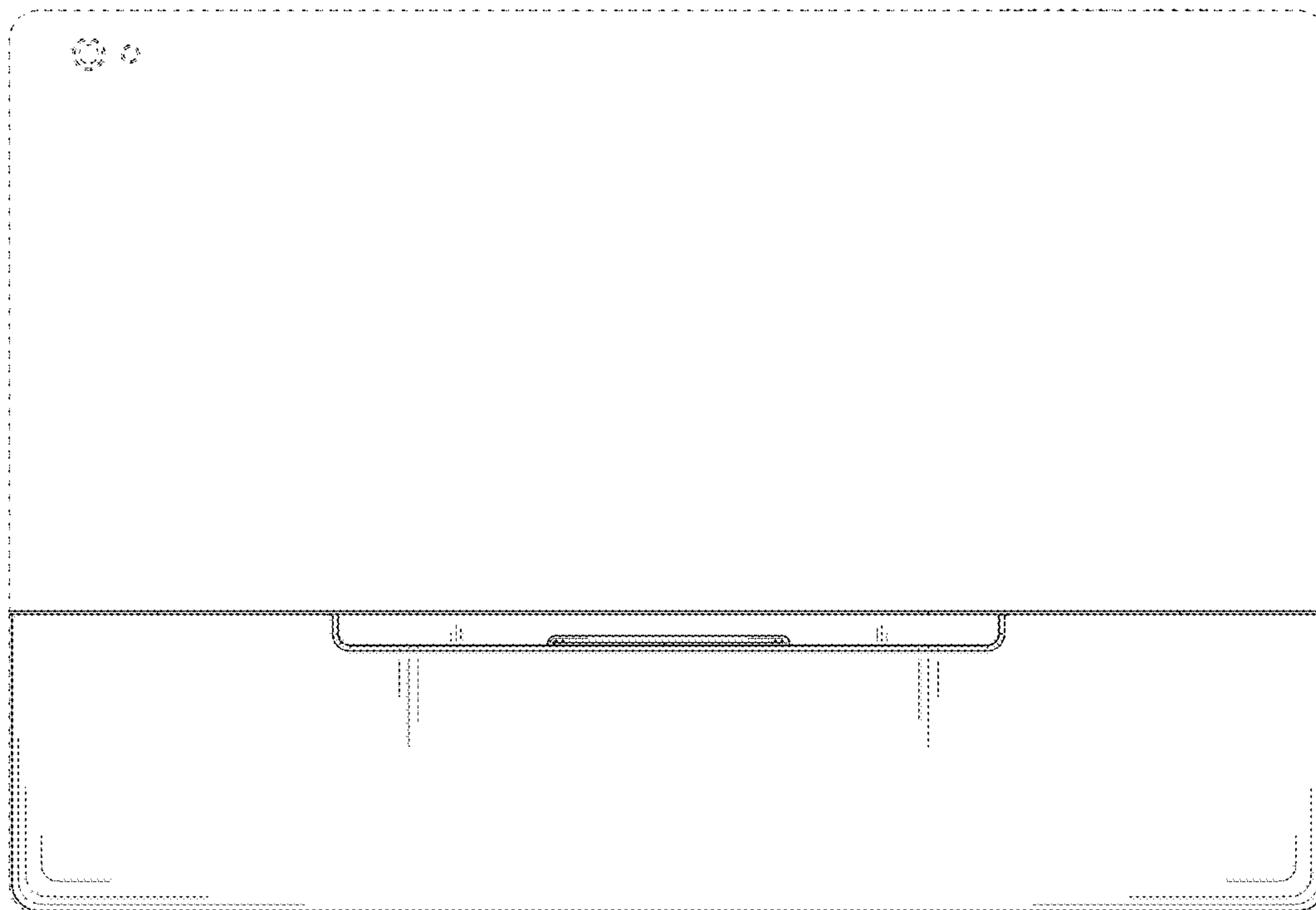


FIG. 3

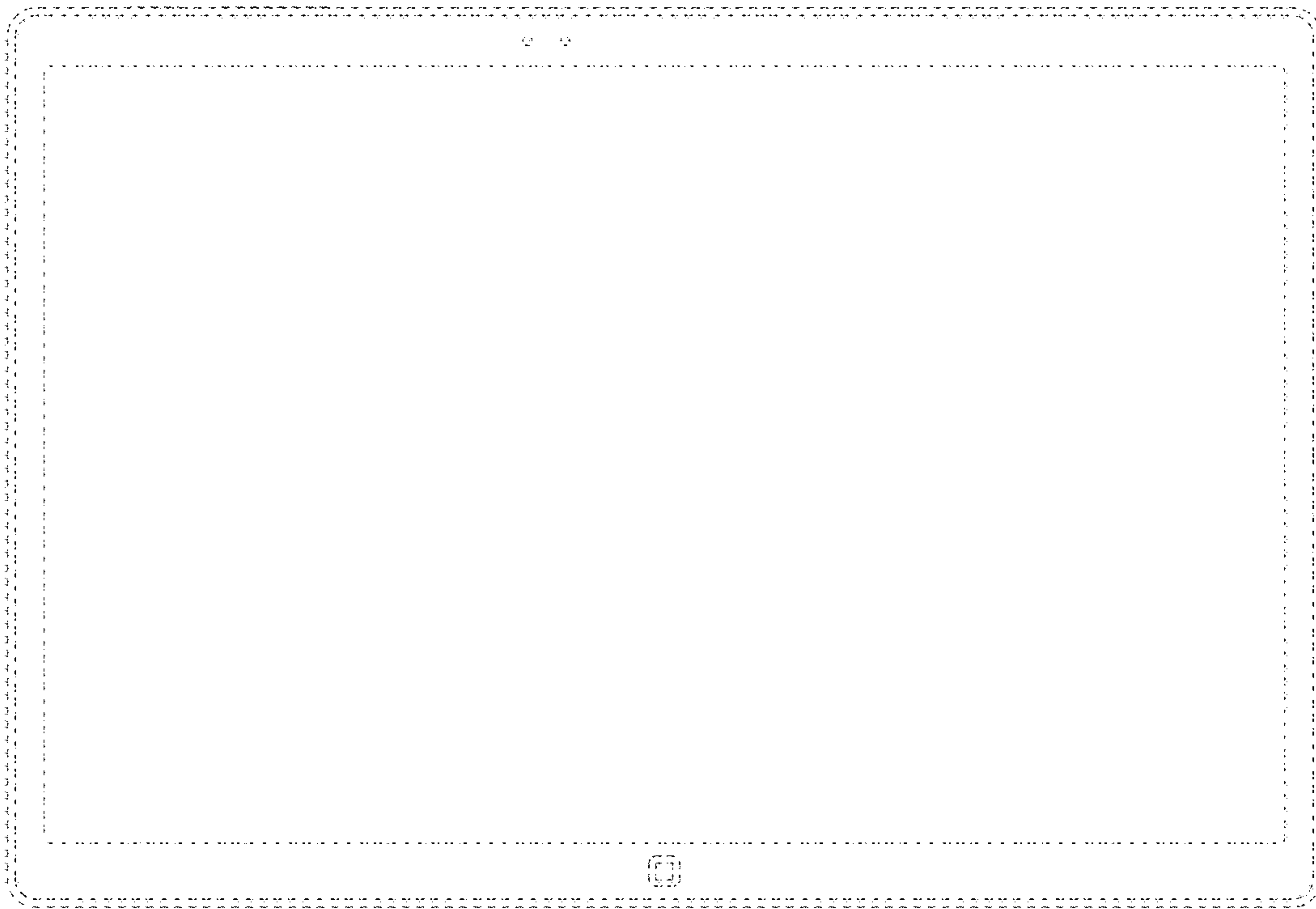


FIG. 4

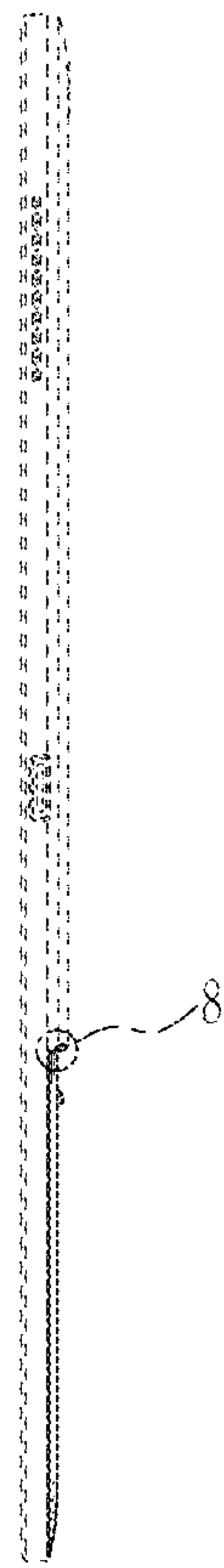


FIG. 5

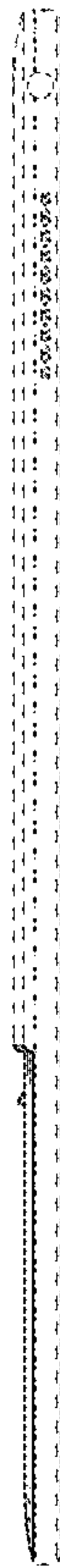


FIG. 6

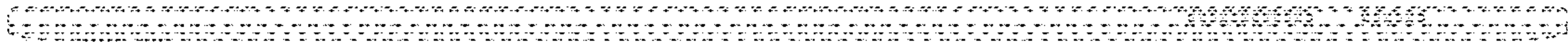


FIG. 7

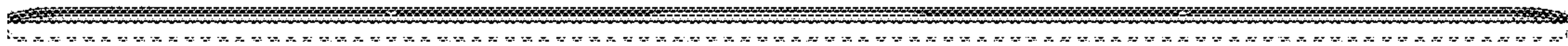


FIG. 8

