



US00D781848S

(12) **United States Design Patent**  
**Kim et al.**

(10) **Patent No.:** **US D781,848 S**

(45) **Date of Patent:** **\*\* Mar. 21, 2017**

(54) **ELECTRONIC DEVICE**

(71) Applicant: **Samsung Electronics Co., Ltd.**,  
Suwon-si (KR)

(72) Inventors: **Sungkwon Kim**, Seoul (KR); **Chungha Kim**, Seoul (KR); **Kwaneui Hong**,  
Yongin-si (KR)

(73) Assignee: **SAMSUNG ELECTRONICS CO., LTD.**,  
Suwon-si (KR)

(\*\*) Term: **15 Years**

(21) Appl. No.: **29/548,478**

(22) Filed: **Dec. 14, 2015**

(30) **Foreign Application Priority Data**

Jun. 30, 2015 (KR) ..... 30-2015-0032947

(51) **LOC (10) Cl.** ..... **14-02**

(52) **U.S. Cl.**  
USPC ..... **D14/341**

(58) **Field of Classification Search**  
USPC ..... D14/253, 440, 203.1, 203.4, 203.7,  
D14/341-347, 337, 374, 138, 138 AB,  
D14/496, 447, 315, 316; D10/65;  
D21/329, 330; D6/310  
CPC .... G06F 3/016; G06F 3/0202; G06F 3/04845;  
G06F 13/385; H04N 17/00; H04N 5/30;  
H04N 5/66; H04N 5/2251; H04M 1/0214  
See application file for complete search history.

(56) **References Cited**

**U.S. PATENT DOCUMENTS**

D580,433 S \* 11/2008 Chiang ..... D14/345  
D597,090 S \* 7/2009 Bemelmans ..... D14/341  
D631,458 S \* 1/2011 Liao ..... D14/138 G

D634,318 S \* 3/2011 Buckle ..... D14/341  
D656,497 S \* 3/2012 Chiu ..... D14/341  
D665,372 S \* 8/2012 Park ..... D14/138 G  
D668,249 S \* 10/2012 Kim ..... D14/138 G  
D678,877 S \* 3/2013 Groene ..... D14/341  
D697,911 S \* 1/2014 McManigal ..... D14/341  
D705,778 S 5/2014 Groene et al.

(Continued)

**OTHER PUBLICATIONS**

<http://logfile.tistory.com/1225>, Published Jul. 6, 2012, Last accessed  
Jan. 4, 2016.

(Continued)

*Primary Examiner* — Barbara Fox

*Assistant Examiner* — Dana K Weiland

(74) *Attorney, Agent, or Firm* — McAndrews Held &  
Malloy, Ltd.

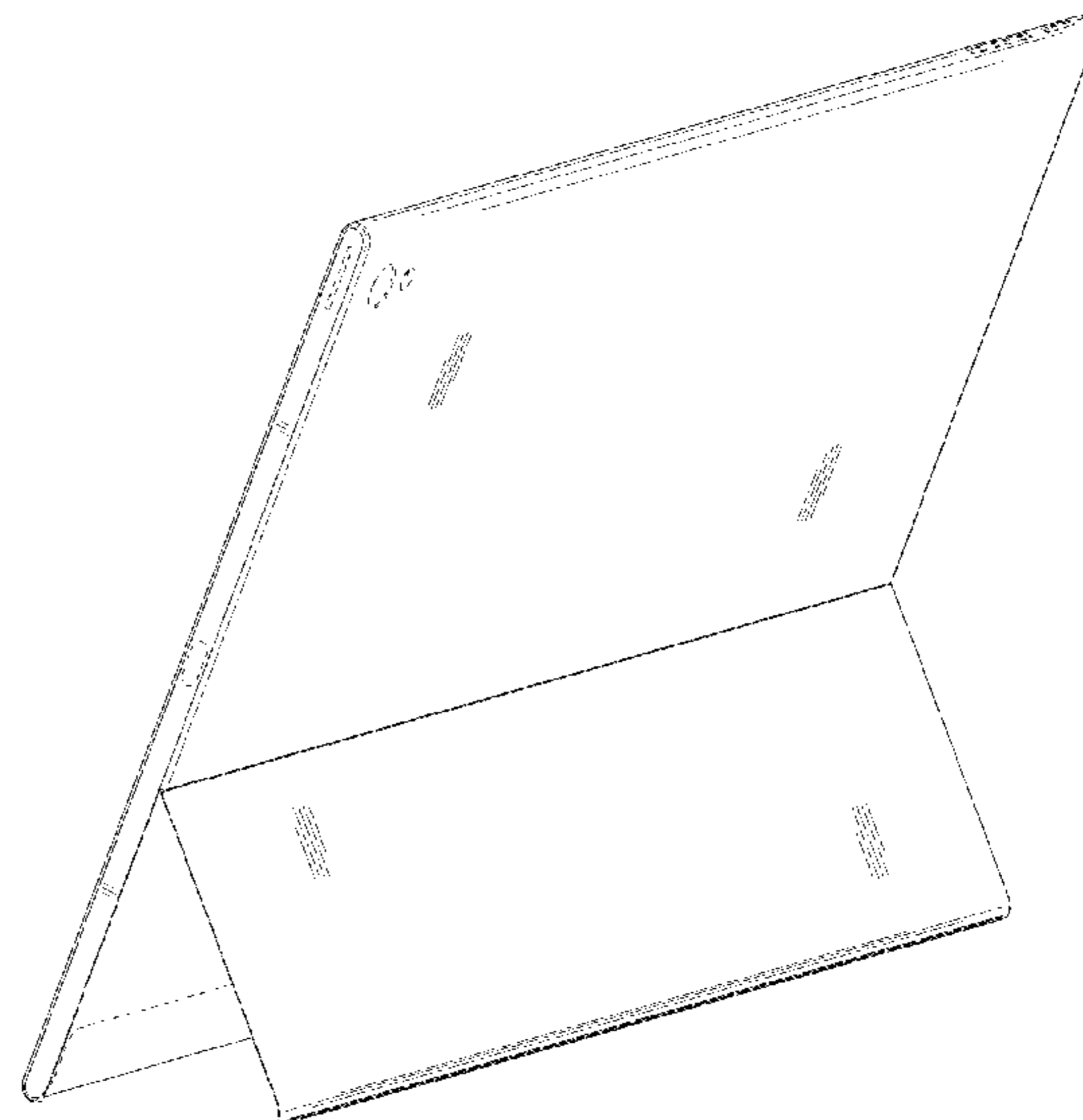
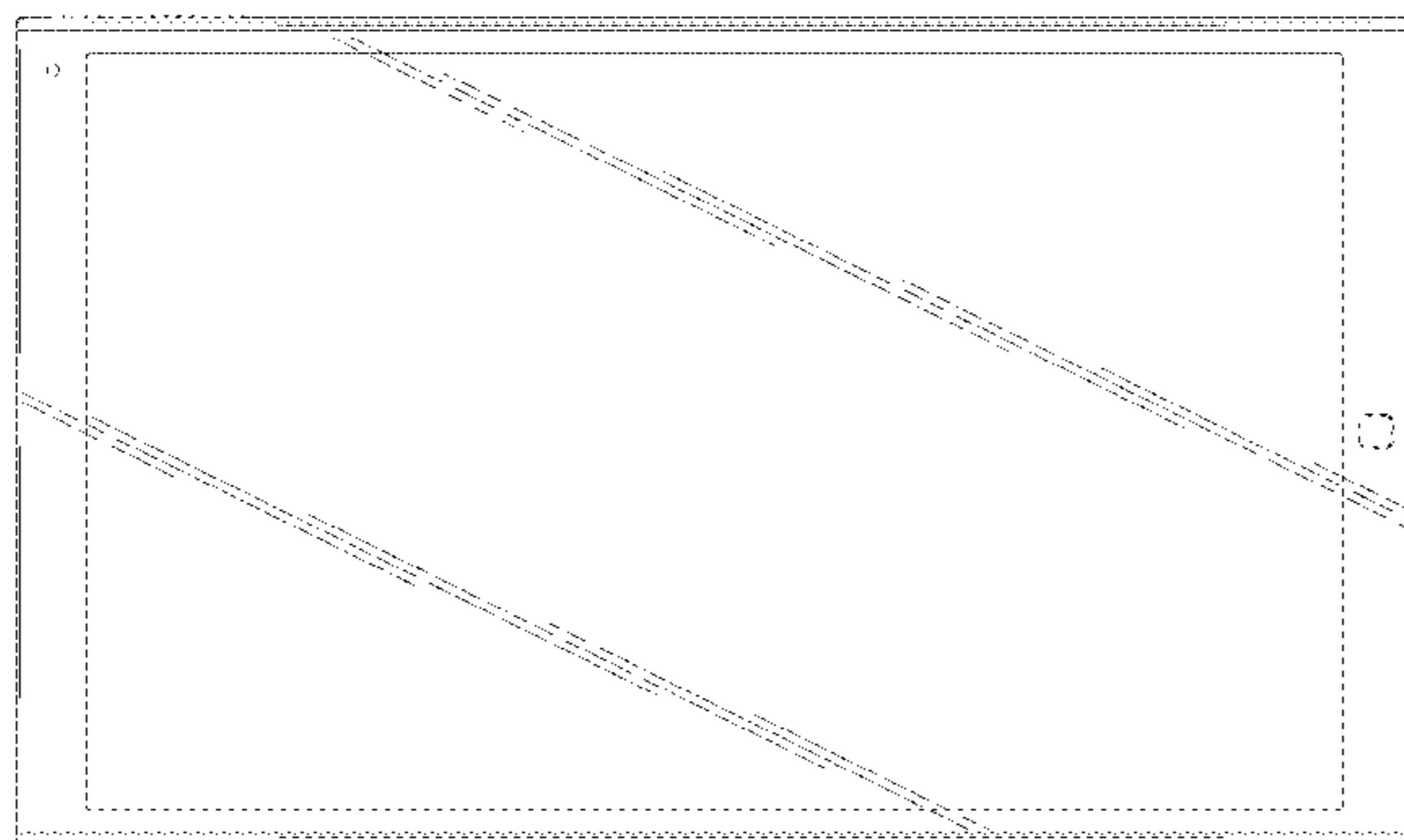
(57) **CLAIM**

The ornamental design for an electronic device, as shown  
and described.

**DESCRIPTION**

FIG. 1 is a front perspective view of an electronic device  
showing our new design;  
FIG. 2 is a front elevation view thereof;  
FIG. 3 is a rear elevation view thereof;  
FIG. 4 is a left-side elevation view thereof;  
FIG. 5 is a right-side elevation view thereof;  
FIG. 6 is a top plan view thereof;  
FIG. 7 is a bottom plan view thereof;  
FIG. 8 is a rear perspective view thereof; and,  
FIG. 9 is a rear perspective view thereof, in an alternate  
position.  
The dashed broken lines depict portions of the electronic  
device that form no part of the claimed design.

**1 Claim, 9 Drawing Sheets**



(56)

**References Cited**

U.S. PATENT DOCUMENTS

D737,270	S *	8/2015	Young .....	D14/341
D740,806	S *	10/2015	Fujimoto .....	D14/341
D741,319	S *	10/2015	Yun .....	D14/341
D750,617	S *	3/2016	Akana .....	D14/341
D754,655	S *	4/2016	Groene .....	D14/341
D763,217	S *	8/2016	Behar .....	D14/126
D766,891	S *	9/2016	Hong .....	D14/341
2005/0052831	A1 *	3/2005	Chen .....	G06F 1/1616 361/679.11
2010/0238119	A1 *	9/2010	Dubrovsky .....	G06F 1/1626 345/169
2016/0062408	A1 *	3/2016	Lee .....	G06F 1/1641 345/173

OTHER PUBLICATIONS

<http://gigglehd.com/zbxe/2969015>, Published Sep. 2, 2009, Last accessed Jan. 4, 2016.

\* cited by examiner

FIG. 1

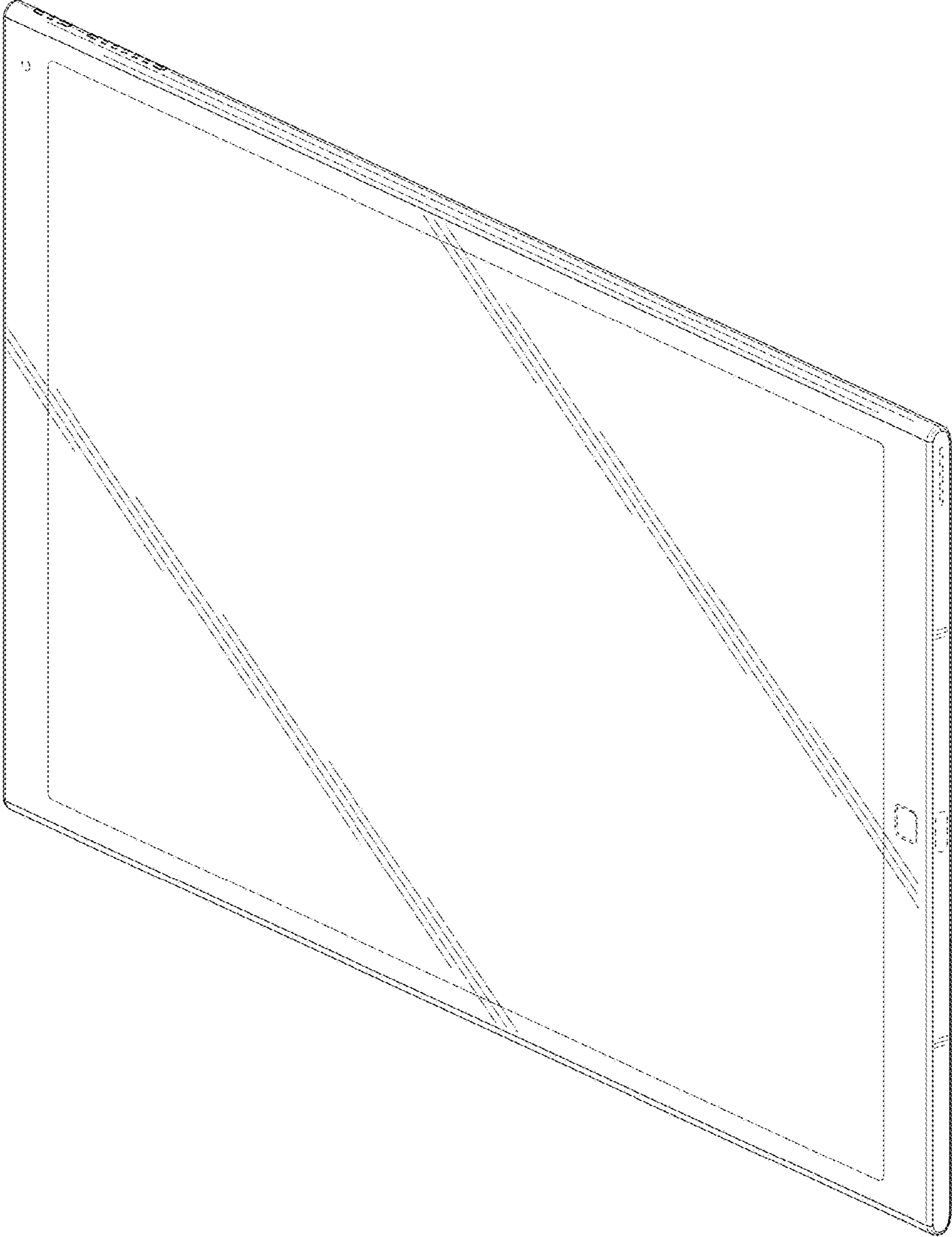


FIG. 2

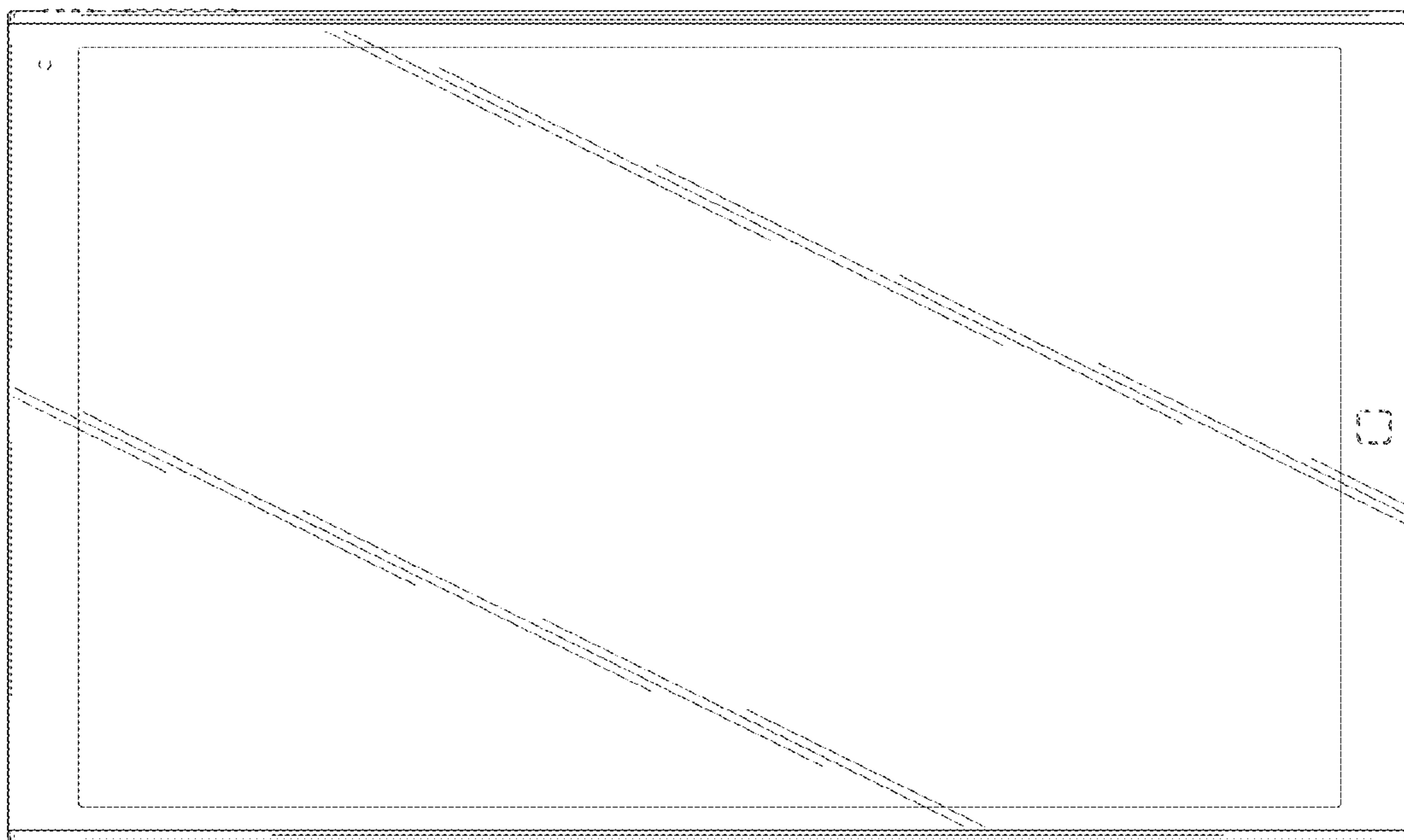


FIG. 3

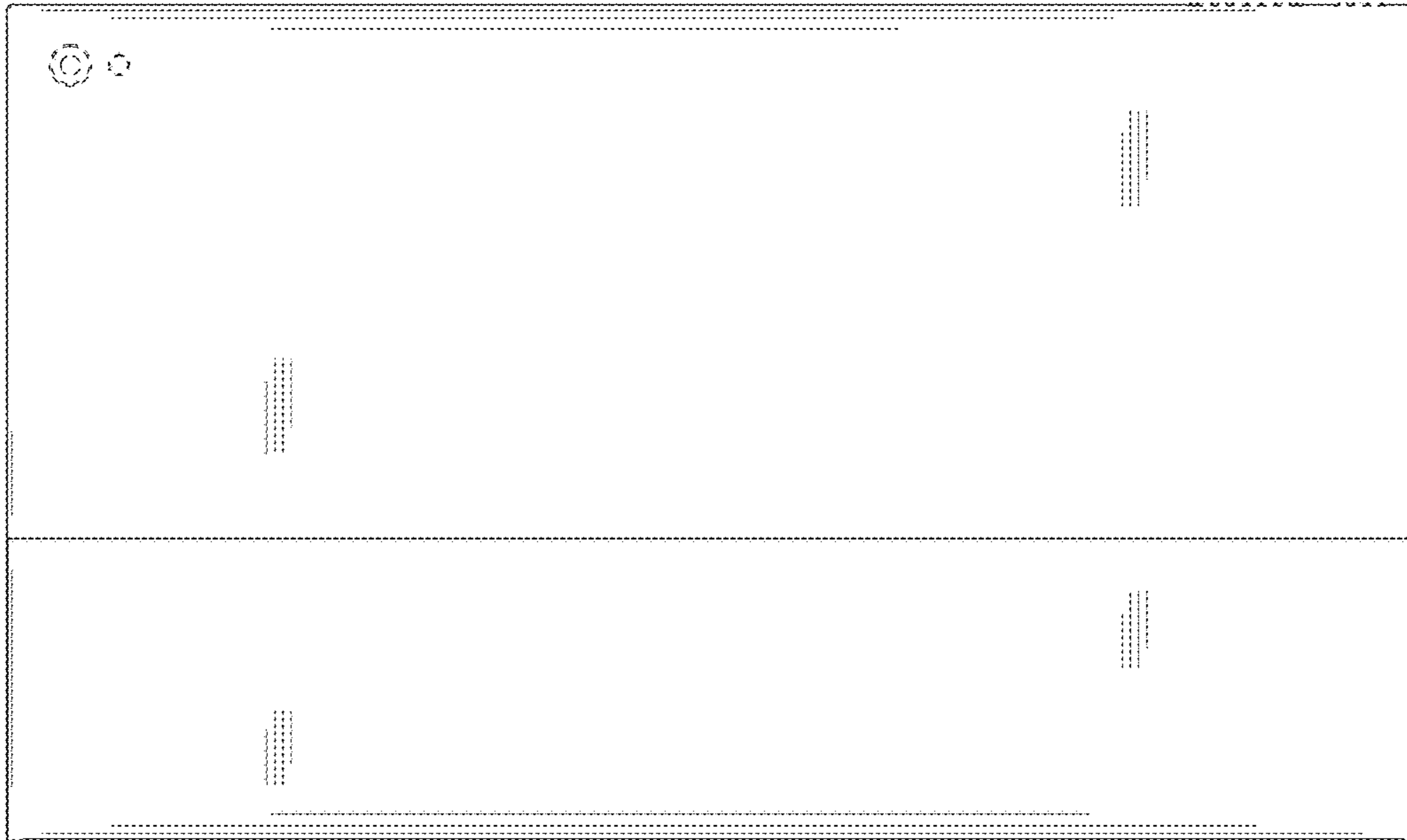


FIG. 4

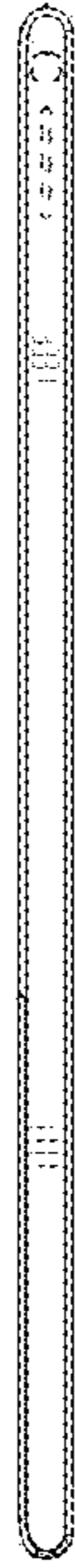


FIG. 5

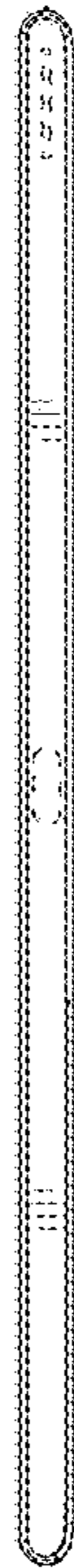


FIG. 6

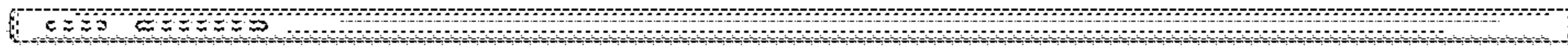




FIG. 7



FIG. 8

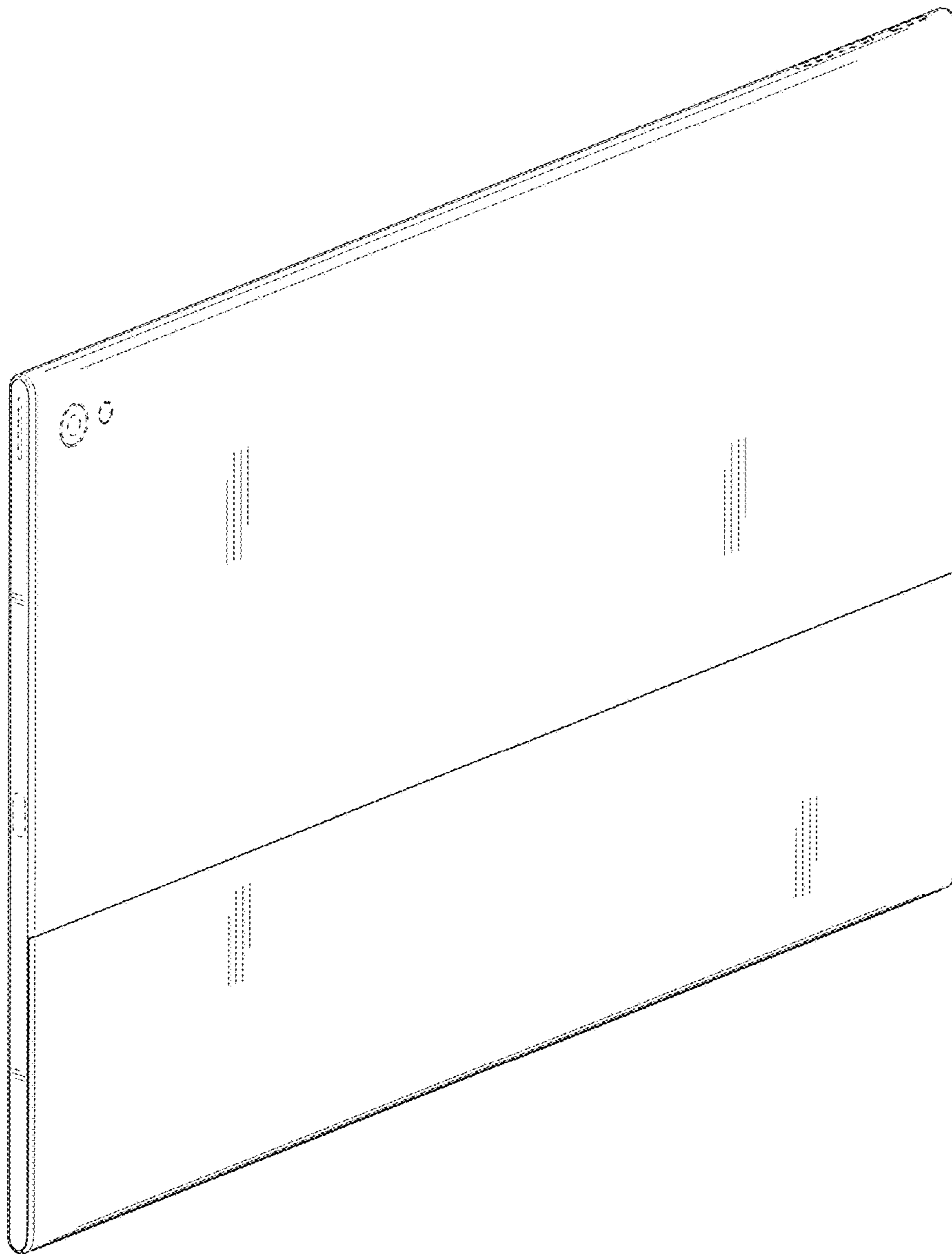


FIG. 9

