



US00D781845S

(12) **United States Design Patent**  
**Sale et al.**

(10) **Patent No.:** **US D781,845 S**  
(45) **Date of Patent:** **\*\* Mar. 21, 2017**

(54) **DISPLAY DEVICE**

455/90.3; 379/433.04, 433.01, 433.06,  
379/916; 345/173, 901, 905; 361/679.26,  
361/679.3, 679.55, 679.56

(71) Applicant: **DTT (HOLDINGS) PTY LTD,**  
Toowong, Queensland (AU)

See application file for complete search history.

(72) Inventors: **Robert Charles Sale,** Pullenvale (AU);  
**Mark Robert Guthrie,** Pullenvale  
(AU); **John Voltin,** Austin, TX (US);  
**Brooke M. Davis,** Austin, TX (US)

(56) **References Cited**

**U.S. PATENT DOCUMENTS**

(73) Assignee: **DTT (Holdings) Pty Ltd** (AU)

D434,399 S 11/2000 Lanet  
6,248,451 B1 \* 6/2001 Smith ..... A44B 15/005  
40/634

(\*\*) Term: **14 Years**

D456,371 S 4/2002 Lavelle et al.  
D462,957 S 9/2002 Ekelund  
D482,031 S 11/2003 Lin  
D517,513 S 3/2006 Peng  
D529,884 S \* 10/2006 Zernov ..... D14/129

(21) Appl. No.: **29/497,719**

(Continued)

(22) Filed: **Jul. 28, 2014**

*Primary Examiner* — Barbara Fox

**Related U.S. Application Data**

(74) *Attorney, Agent, or Firm* — Barnes & Thornburg  
LLP

(62) Division of application No. 29/439,870, filed on Dec.  
17, 2012, now Pat. No. Des. 717,298.

(57) **CLAIM**

The ornamental design for a display device, as shown and  
described.

(30) **Foreign Application Priority Data**

**DESCRIPTION**

Jul. 18, 2012 (AU) ..... 13392/2012  
Jul. 18, 2012 (AU) ..... 13393/2012  
Jul. 18, 2012 (AU) ..... 13394/2012

FIG. 1 is an isometric view of a display device from the front  
showing our new design,  
FIG. 2 is a front elevational view thereof,  
FIG. 3 is an isometric view from the rear thereof,  
FIG. 4 is a rear elevational view thereof,  
FIG. 5 a top plan view thereof,  
FIG. 6 is a bottom plan view thereof,  
FIG. 7 is a left side elevational view thereof; and,  
FIG. 8 is a right side elevational view thereof.

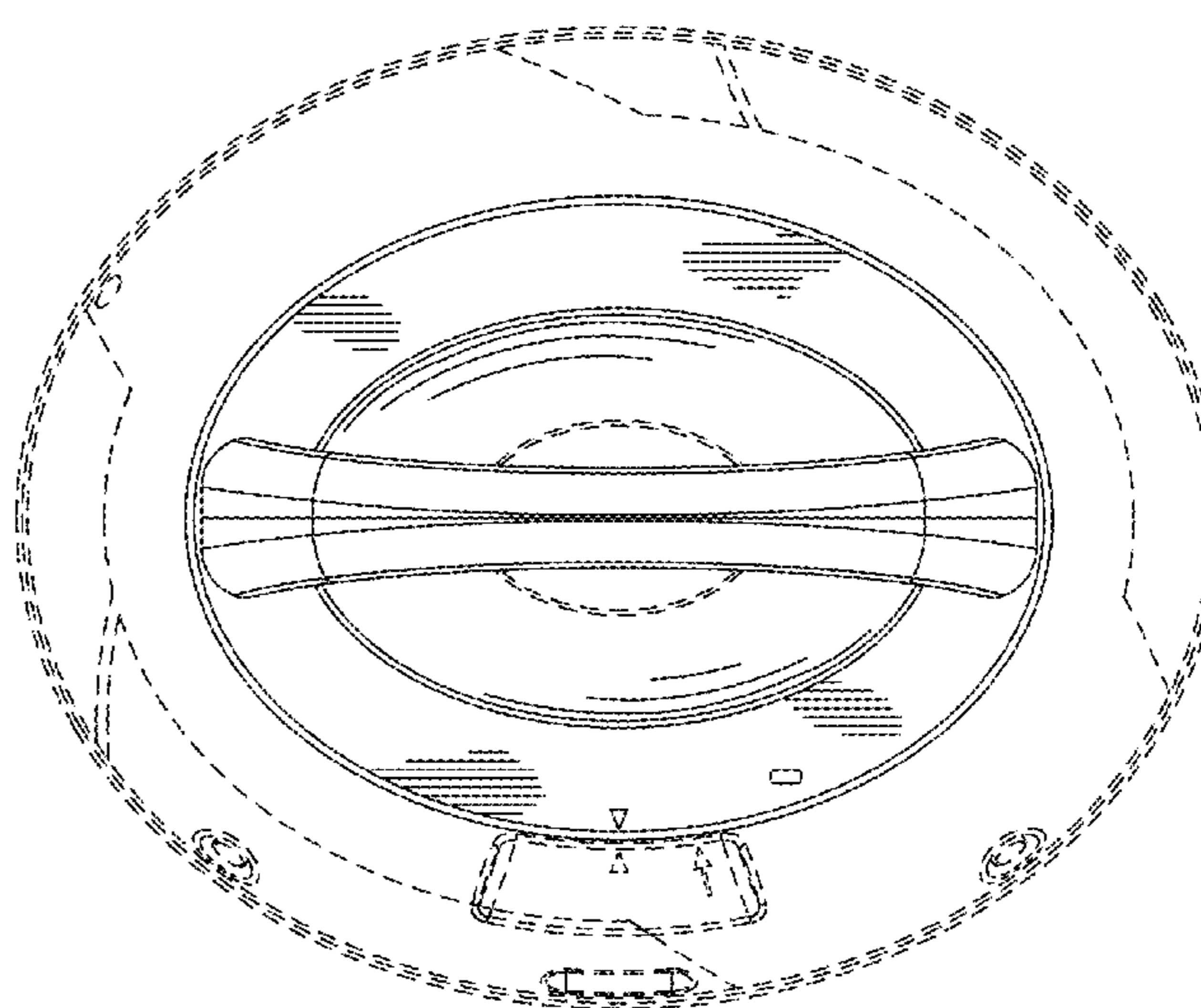
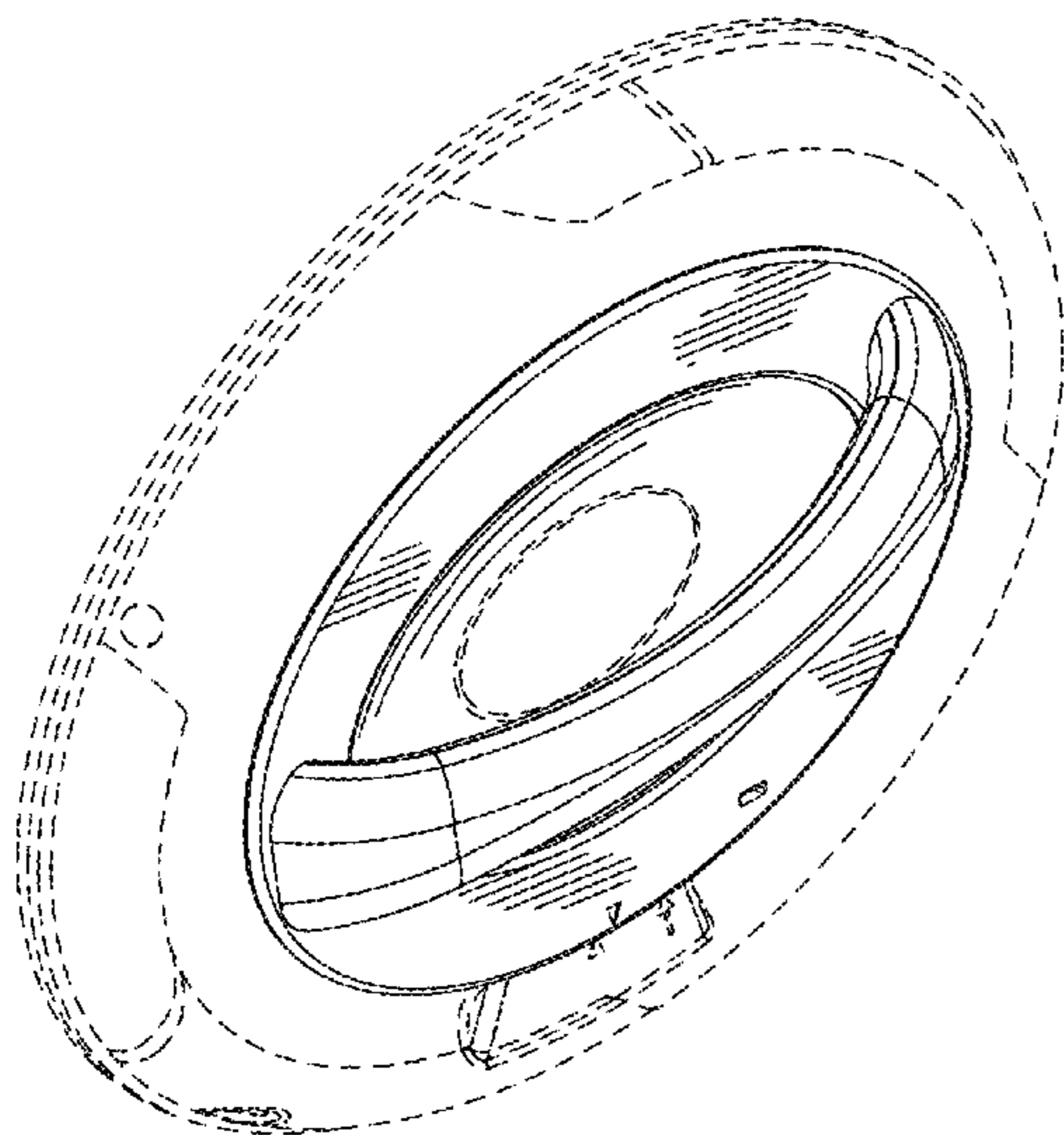
(51) **LOC (10) Cl.** ..... **14-02**

(52) **U.S. Cl.**  
USPC ..... **D14/341**

The broken lines shown in the drawings represent portions  
of the display device that form no part of the claimed design.

(58) **Field of Classification Search**  
USPC ..... D14/341-347, 137, 138 R, 138 AA,  
D14/138 C, 138 G, 496, 203.1, 203.3,  
D14/203.4, 203.7, 129, 130, 147, 218,  
D14/248, 389, 388, 426, 420; D10/65,  
D10/104.1; D18/6-7; D21/324, 329,  
D21/330; 455/556.1, 556.2, 566, 575.1,

**1 Claim, 3 Drawing Sheets**



(56)

**References Cited**

U.S. PATENT DOCUMENTS

|              |     |         |                 |           |
|--------------|-----|---------|-----------------|-----------|
| D538,766     | S   | 3/2007  | Hsiung          |           |
| D548,956     | S * | 8/2007  | Rimon .....     | D3/207    |
| D574,893     | S   | 8/2008  | Bucolo et al.   |           |
| D607,347     | S   | 1/2010  | Goh et al.      |           |
| D626,440     | S * | 11/2010 | Daicos .....    | D10/46.1  |
| D632,396     | S   | 2/2011  | Kasabach et al. |           |
| D634,232     | S   | 3/2011  | Kelly et al.    |           |
| D647,810     | S   | 11/2011 | Bohrer          |           |
| D660,368     | S   | 5/2012  | Podd            |           |
| D675,336     | S * | 1/2013  | Laverack .....  | D24/223   |
| D711,874     | S * | 8/2014  | Cope .....      | D14/374   |
| D713,404     | S * | 9/2014  | Green .....     | D14/344   |
| D716,290     | S * | 10/2014 | Lim .....       | D14/314   |
| D726,672     | S * | 4/2015  | Olodort .....   | D14/138 G |
| D740,264     | S * | 10/2015 | Kester .....    | D14/248   |
| D741,306     | S * | 10/2015 | Kester .....    | D14/248   |
| D741,307     | S * | 10/2015 | Kester .....    | D14/248   |
| 2002/0089414 | A1  | 7/2002  | Boggs et al.    |           |

\* cited by examiner

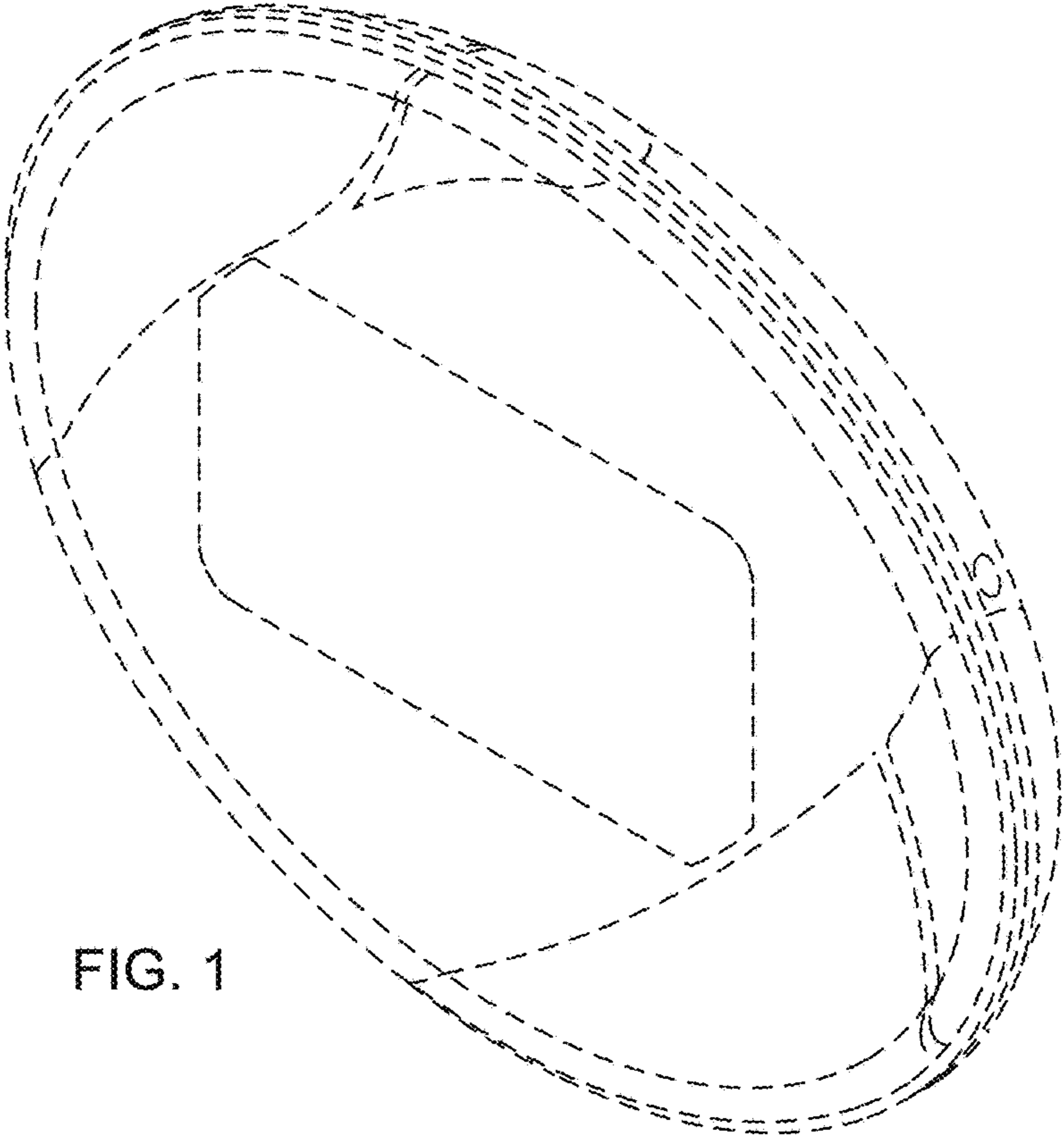


FIG. 1

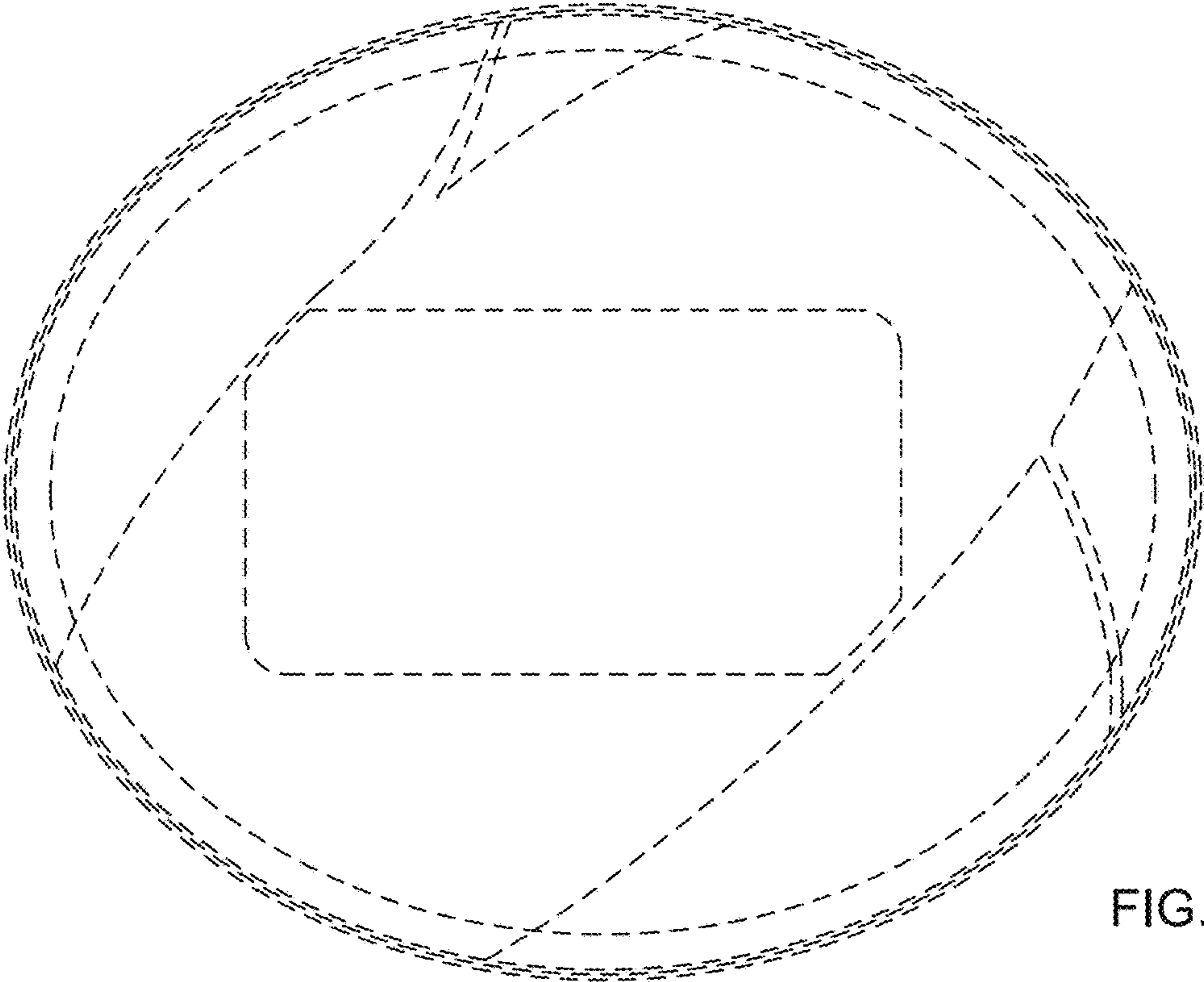


FIG. 2

FIG. 3

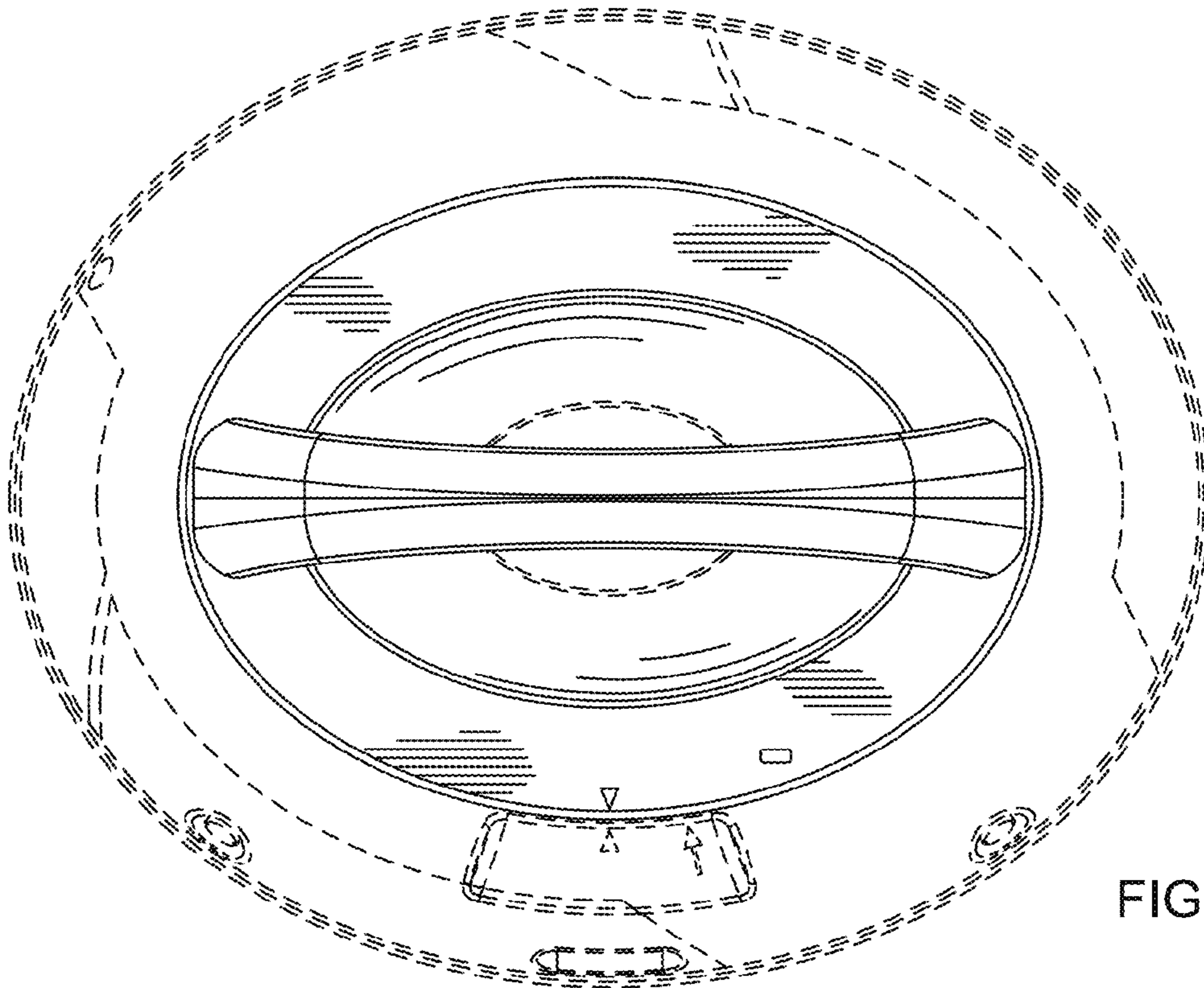
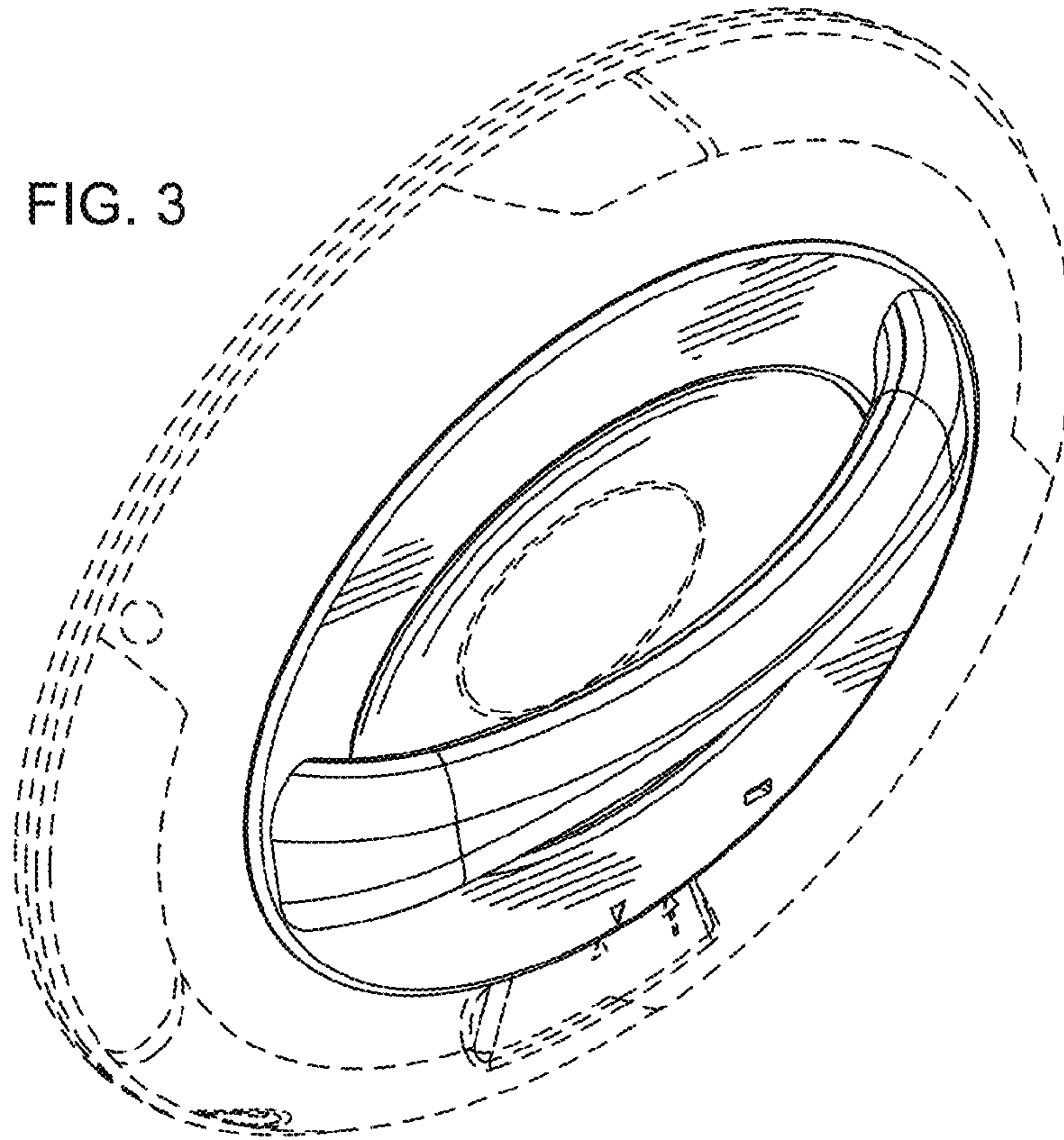


FIG. 4

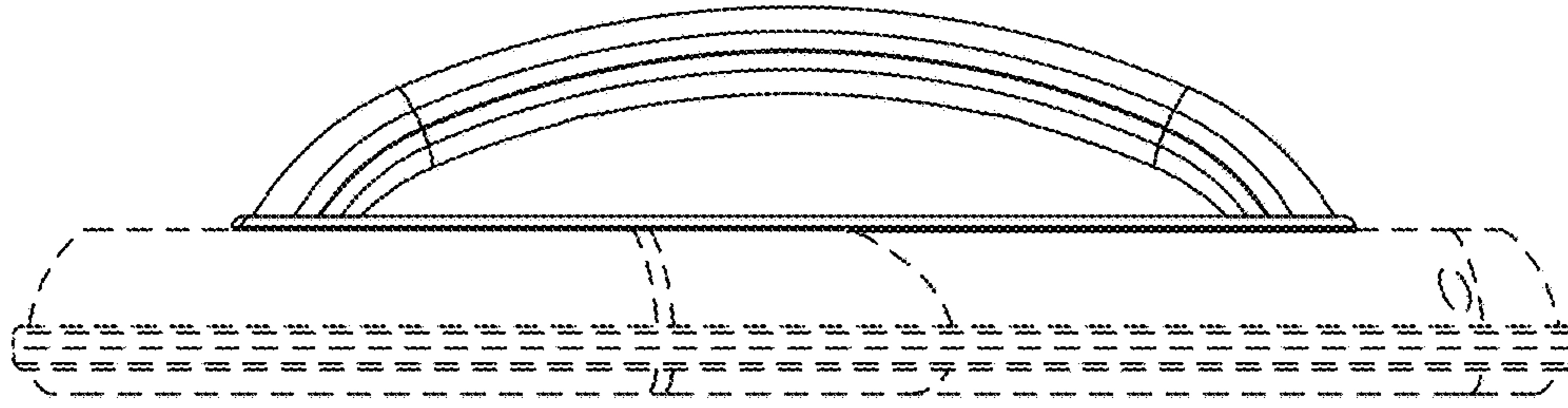


FIG. 5

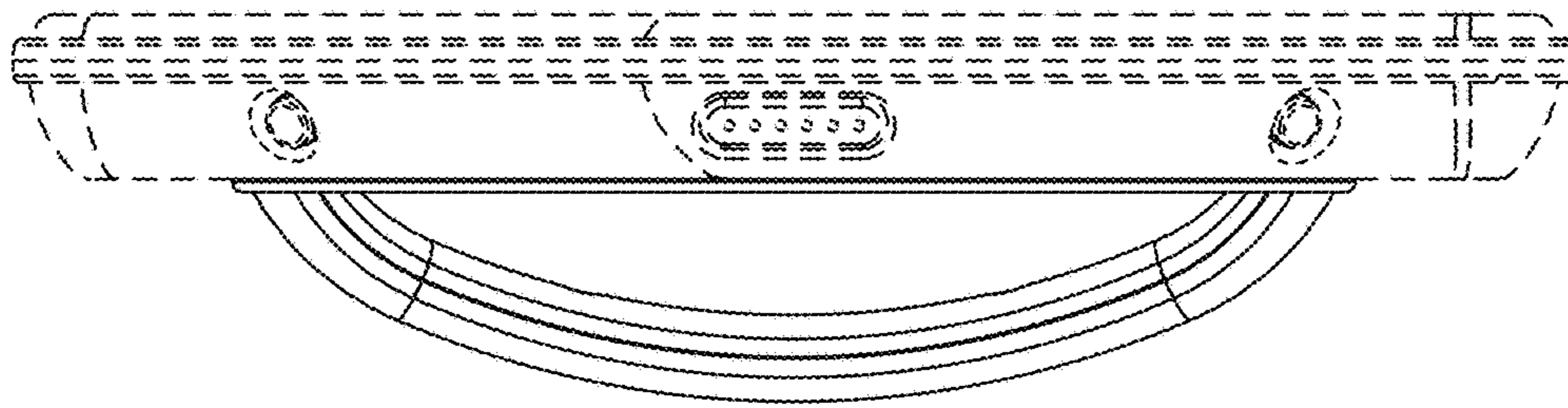


FIG. 6

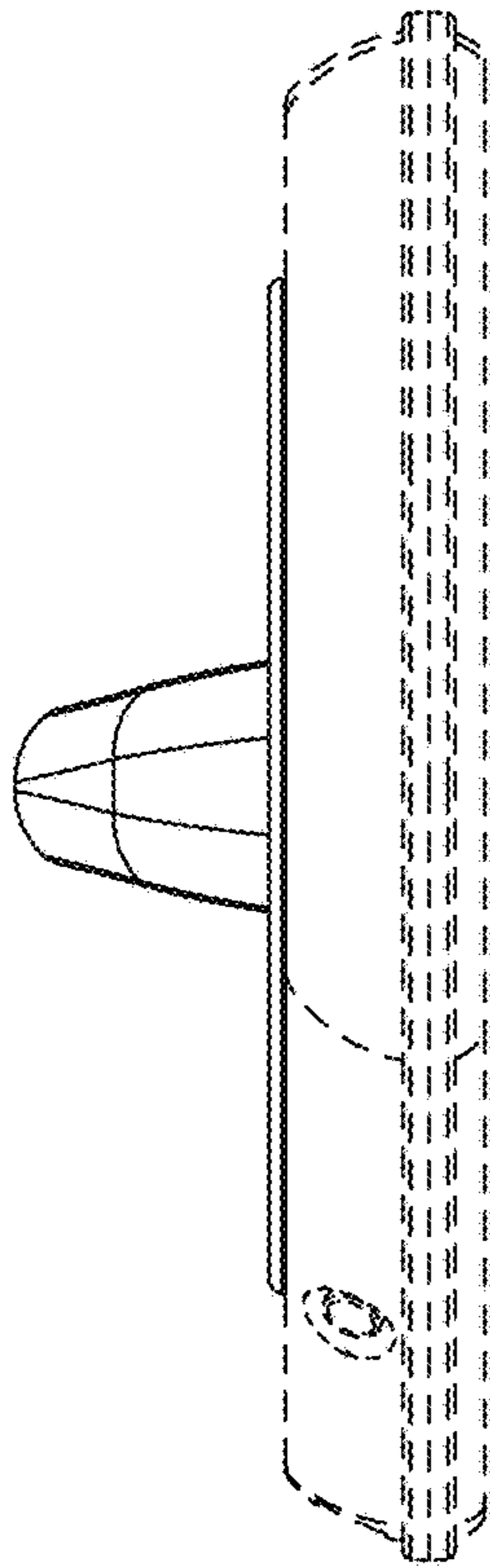


FIG. 7

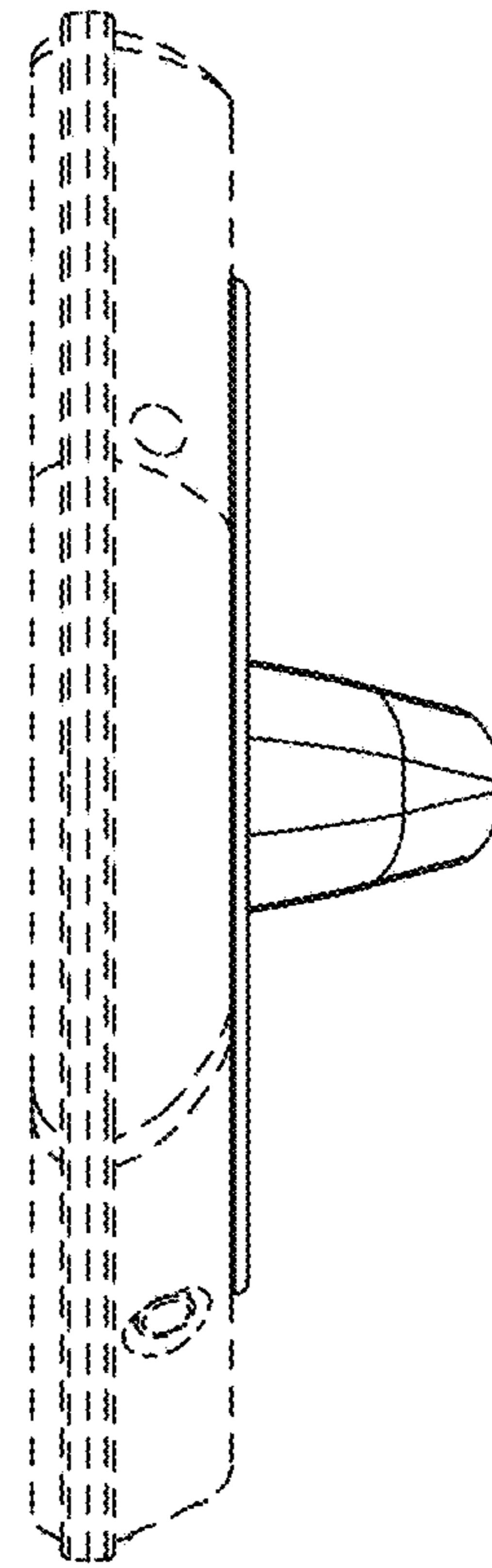


FIG. 8