



US00D781843S

(12) **United States Design Patent**
Horn, II

(10) **Patent No.:** **US D781,843 S**

(45) **Date of Patent:** **** Mar. 21, 2017**

(54) **SELF-SERVICE COMPUTER ORDERING KIOSK**

(71) Applicant: **Howard H Horn, II**, Wilmot, NH (US)

(72) Inventor: **Howard H Horn, II**, Wilmot, NH (US)

(**) Term: **15 Years**

(21) Appl. No.: **29/505,959**

(22) Filed: **Apr. 28, 2016**

(51) **LOC (10) Cl.** **14-02**

(52) **U.S. Cl.**
USPC **D14/307**

(58) **Field of Classification Search**
USPC D14/167, 154, 168, 188, 496, 156, 160,
D14/161, 162, 163, 164, 165, 158, 253,
D14/192, 159, 155, 138 AB, 137, 104.1,
D14/307; 455/351, 350, 353; D10/104,
D10/106, 65, 78; 340/573.4, 573.1
CPC G08B 13/1672; G08B 13/19645; G08B
25/006; H04M 11/04
See application file for complete search history.

(56) **References Cited**

U.S. PATENT DOCUMENTS

D438,569 S	3/2001	Hofmann	
D472,581 S	4/2003	Summers	
D587,700 S *	3/2009	Corti	D14/307
D617,575 S	6/2010	Dreyer	
D639,800 S *	6/2011	Magruder	D14/307
D646,269 S *	10/2011	Crick, Jr.	D14/307
D661,293 S	6/2012	Kuroda	

D671,535 S *	11/2012	Terashima	D14/307
D717,785 S *	11/2014	Winston	D14/307
D722,313 S *	2/2015	Birgeoglu	D14/307
D723,026 S *	2/2015	Birgeoglu	D14/307
D728,557 S *	5/2015	Soares	D14/307
D732,015 S *	6/2015	Alekhin	D14/307
D761,783 S *	7/2016	Kulkarni	D14/300
D769,238 S *	10/2016	Birnie	D14/307

* cited by examiner

Primary Examiner — Austin Murphy

(57) **CLAIM**

The ornamental design for a self-service computer ordering kiosk, as shown and described.

DESCRIPTION

FIG. 1, is a perspective view of the kiosk showing our new design. The features that are dashed form no part of the design that we are claiming.

FIG. 2, is a front view of the kiosk showing our new design. The features that are dashed form no part of the design that we are claiming.

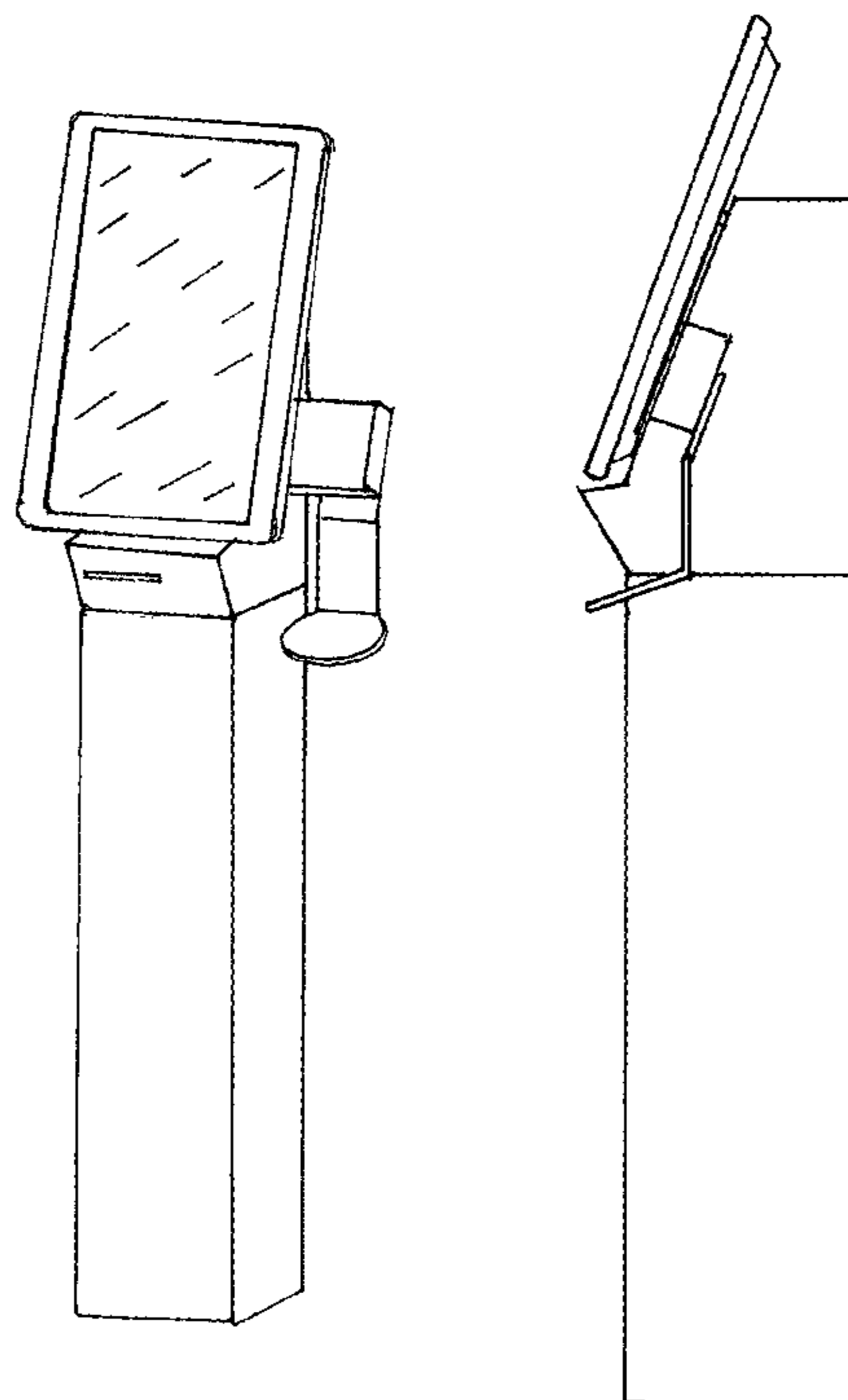
FIG. 3, is a side view of the left side of the kiosk showing our new design. The features that are dashed form no part of the design that we are claiming.

FIG. 4, is a side view of the right view of the kiosk showing our new design. The features that are dashed form no part of the design that we are claiming; and,

FIG. 5, is a top view of the top of the kiosk showing our new design. The features that are dashed form no part of the design that we are claiming.

I am not showing the bottom or back because it forms no part of my design.

1 Claim, 5 Drawing Sheets



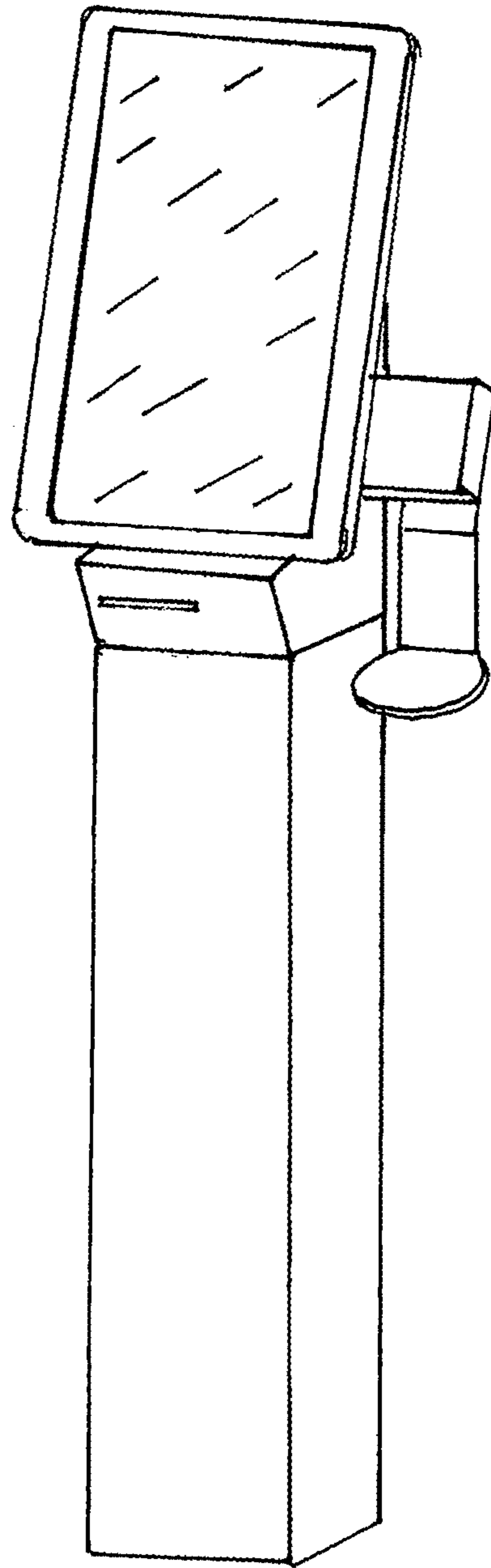


FIGURE 1

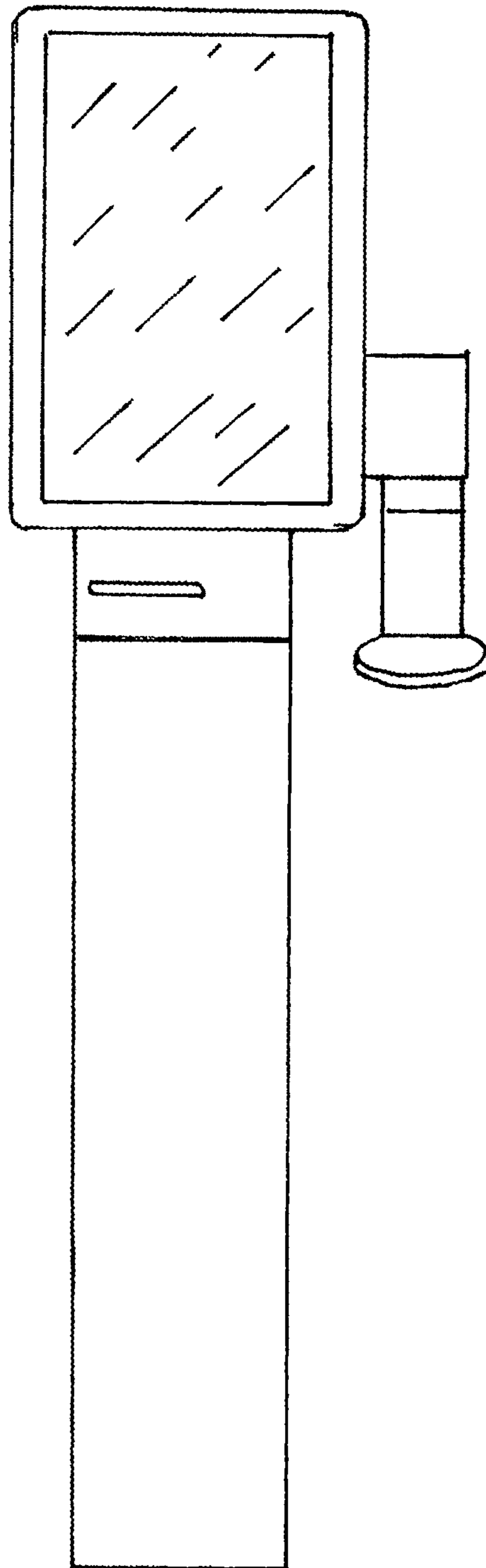


FIGURE 2

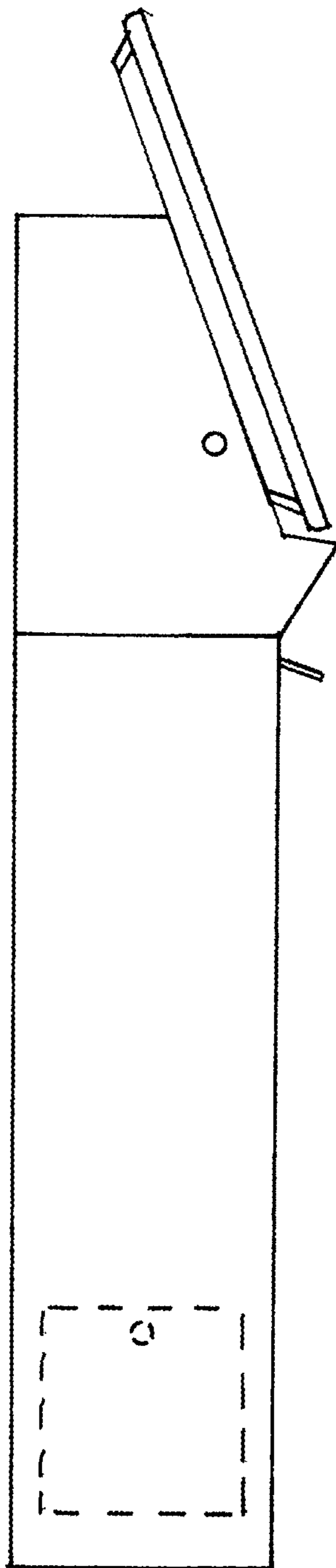


FIGURE 3

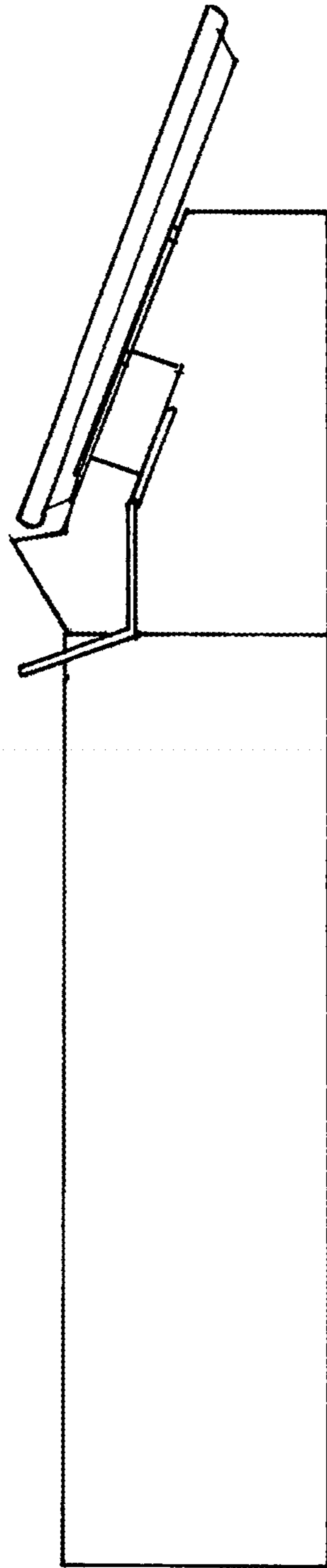


FIGURE 4

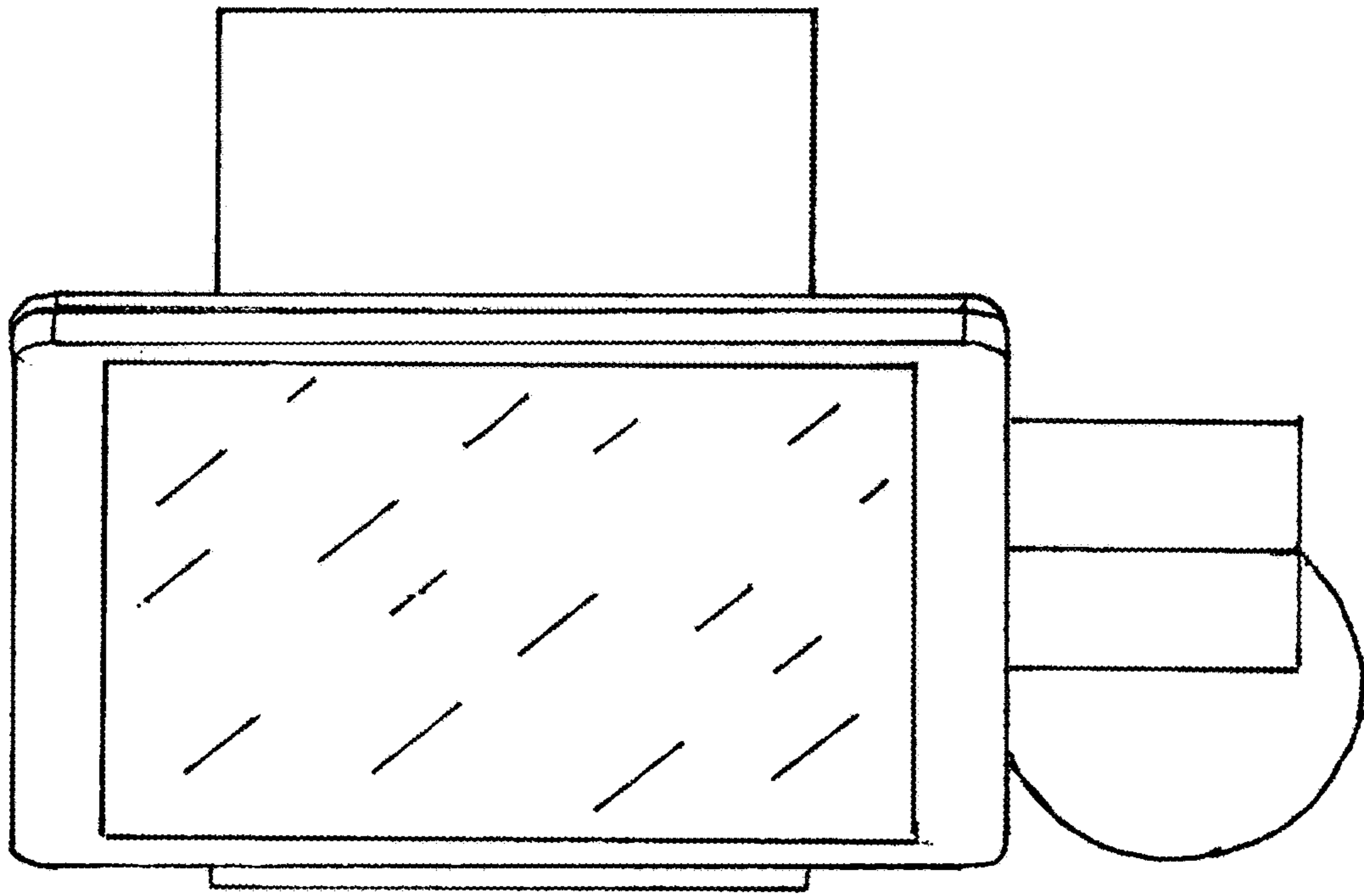


FIGURE 5