



US00D781841S

(12) **United States Design Patent** (10) **Patent No.:** **US D781,841 S**  
**Salathe** (45) **Date of Patent:** **\*\* \*Mar. 21, 2017**

(54) **MULTIPURPOSE PAD FOR MOBILE DEVICES**  
(71) Applicant: **Craig Salathe**, Redmond, WA (US)  
(72) Inventor: **Craig Salathe**, Redmond, WA (US)  
(\* ) Notice: This patent is subject to a terminal disclaimer.  
(\*\*) Term: **14 Years**  
(21) Appl. No.: **29/508,400**  
(22) Filed: **Nov. 5, 2014**  
(51) **LOC (10) Cl.** ..... **14-03**  
(52) **U.S. Cl.**  
USPC ..... **D14/253**  
(58) **Field of Classification Search**  
USPC ..... D14/253, 251, 240, 217, 496, 440, 423;  
D8/381, 323  
CPC ..... H04M 1/00; H04M 1/04; H04M 1/06;  
H04M 1/11  
See application file for complete search history.

(56) **References Cited**  
U.S. PATENT DOCUMENTS  
D215,536 S \* 10/1969 Larsen ..... D6/601  
D323,504 S \* 1/1992 Langton ..... D14/142  
D357,603 S \* 4/1995 Wolff ..... D6/672  
D362,565 S \* 9/1995 Tubbs ..... D6/310  
D365,461 S \* 12/1995 Falter ..... D19/88  
5,492,298 A \* 2/1996 Walker ..... G06F 3/0395  
248/346.01  
D382,864 S \* 8/1997 Walker ..... D14/459  
5,678,800 A \* 10/1997 Markussen ..... G06F 3/0395  
248/118  
5,692,815 A \* 12/1997 Murphy ..... G06F 3/0395  
108/26

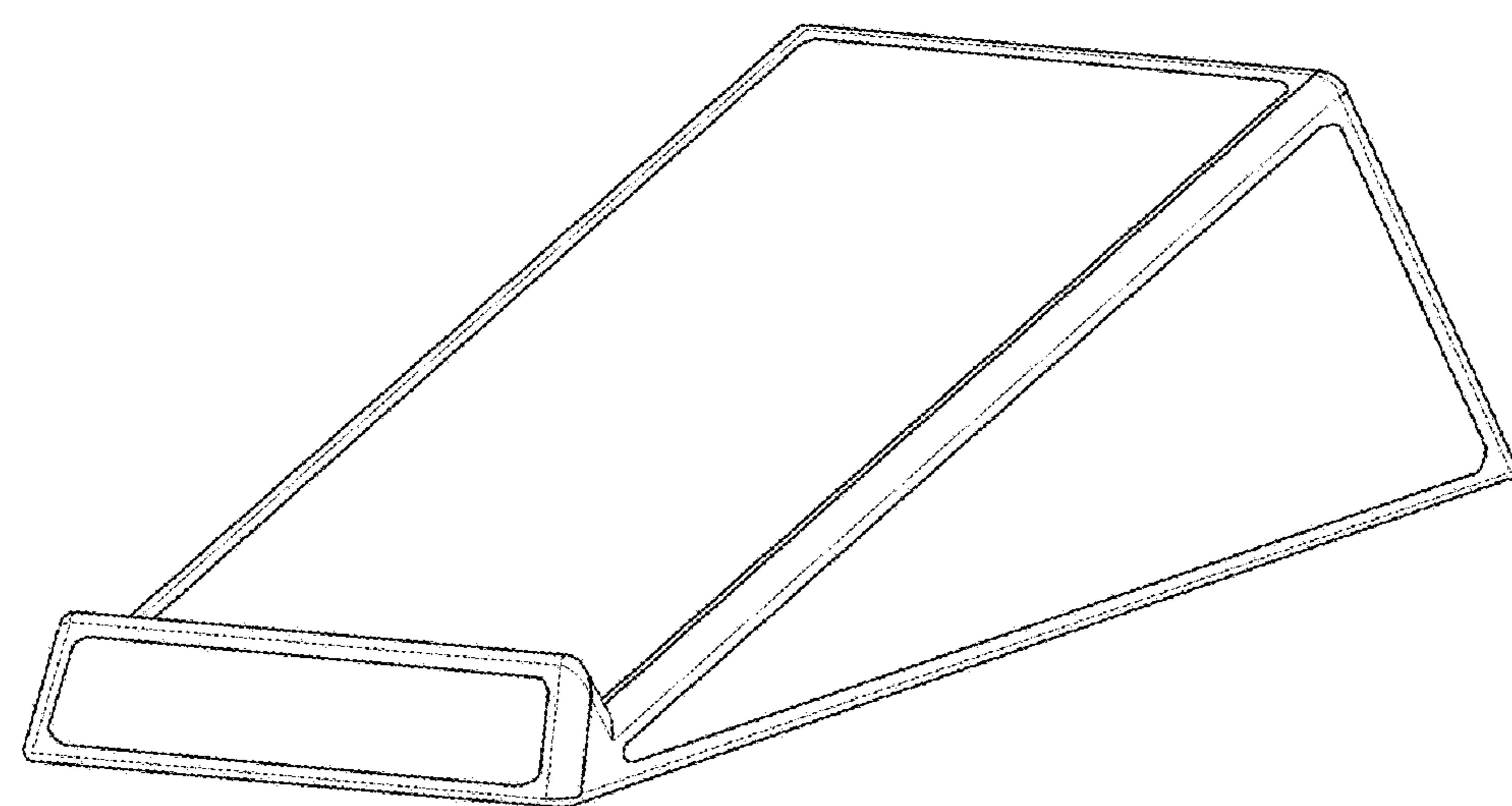
5,711,560 A \* 1/1998 Gilbertson ..... E05C 17/54  
292/343  
D414,166 S \* 9/1999 De Paris ..... D14/447  
6,543,949 B1 \* 4/2003 Ritchey ..... A47B 21/0371  
400/691  
D476,662 S \* 7/2003 Knieper ..... D14/460  
D483,771 S \* 12/2003 Esswein ..... D14/457  
D488,816 S \* 4/2004 Tyler ..... D14/457  
D508,918 S \* 8/2005 Ritchey ..... D14/457  
D517,347 S \* 3/2006 Hamilton ..... D16/242  
D555,163 S \* 11/2007 Beilstein ..... D14/447  
D555,655 S \* 11/2007 Iu ..... D14/447  
D584,531 S \* 1/2009 Falter ..... D6/406.4  
D631,009 S \* 1/2011 Son ..... D13/108  
D640,112 S \* 6/2011 Smith ..... D8/71  
D643,845 S \* 8/2011 Hong ..... D14/447  
D648,728 S \* 11/2011 Atkins ..... D14/447  
(Continued)

*Primary Examiner* — Cynthia Underwood  
(74) *Attorney, Agent, or Firm* — Seattle Patent Group LLC; James Haugen

(57) **CLAIM**  
I claim the ornamental design for a multipurpose pad for mobile devices, as shown and described.

**DESCRIPTION**  
FIG. 1 is a perspective view of a multipurpose pad for mobile devices, according to one embodiment.  
FIG. 2 is a top view of a multipurpose pad for mobile devices, according to one embodiment.  
FIG. 3 is a bottom view of a multipurpose pad for mobile devices, according to one embodiment.  
FIG. 4 is a rear view of a multipurpose pad for mobile devices, according to one embodiment.  
FIG. 5 is a front view of a multipurpose pad for mobile devices, according to one embodiment; and,  
FIG. 6 is a side view of a multipurpose pad for mobile devices, according to one embodiment.

**1 Claim, 6 Drawing Sheets**



(56)

## References Cited

## U.S. PATENT DOCUMENTS

D664,148	S	*	7/2012	Josefek	.....	D14/459
D667,831	S	*	9/2012	Stravitz	.....	D14/447
D674,392	S	*	1/2013	Cheng	.....	D14/434
D681,625	S	*	5/2013	Zehner	.....	D14/253
D681,626	S	*	5/2013	Zehner	.....	D14/253
D690,308	S	*	9/2013	McCoy	.....	D14/458
D692,009	S	*	10/2013	Ashida	.....	D14/447
D703,676	S	*	4/2014	Smith	.....	D14/447
D705,158	S	*	5/2014	Gengler	.....	D13/107
D705,722	S	*	5/2014	Gengler	.....	D13/107
D706,561	S	*	6/2014	Buller	.....	D6/682
D709,308	S	*	7/2014	Buller	.....	D6/682
D711,316	S	*	8/2014	Ryu	.....	D13/108
D712,175	S	*	9/2014	Choi	.....	D6/406.6
D714,576	S	*	10/2014	Buller	.....	D6/682.3
D714,774	S	*	10/2014	Baumann	.....	D14/253
D718,742	S	*	12/2014	Warner	.....	D14/217
D720,564	S	*	1/2015	Buller	.....	D6/682
D726,458	S	*	4/2015	Buller	.....	D6/683
D741,313	S	*	10/2015	Moon	.....	D14/253
D741,314	S	*	10/2015	Kwak	.....	D14/253
D741,336	S	*	10/2015	Miniard	.....	D14/447
D741,846	S	*	10/2015	Jeon	.....	D14/253
D741,847	S	*	10/2015	Jeon	.....	D14/253
2008/0230672	A1	*	9/2008	Pachowski	.....	A47B 23/044 248/453
2013/0003291	A1	*	1/2013	Zhou	.....	F16M 11/041 361/679.41

\* cited by examiner

FIGURE 1

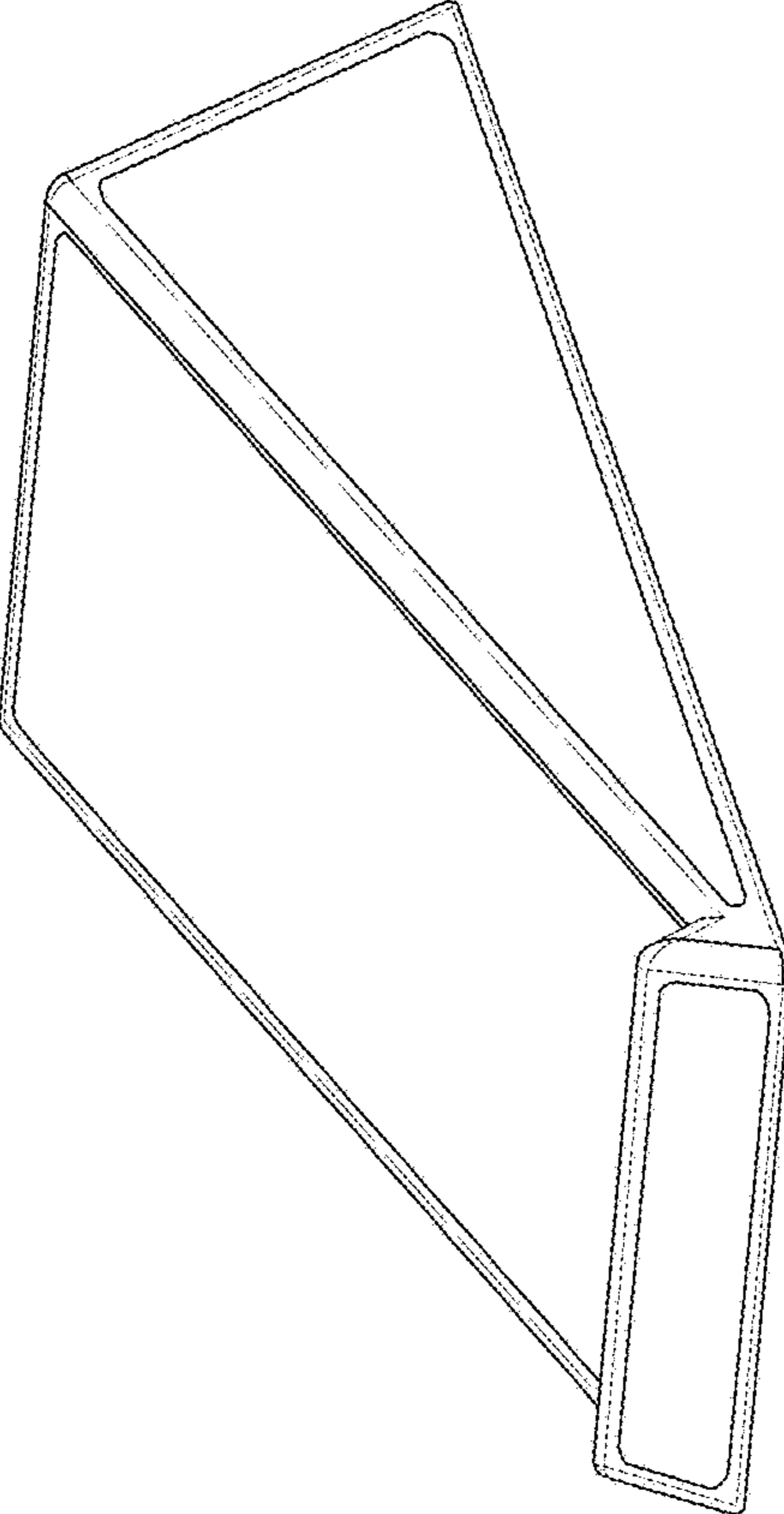


FIGURE 2

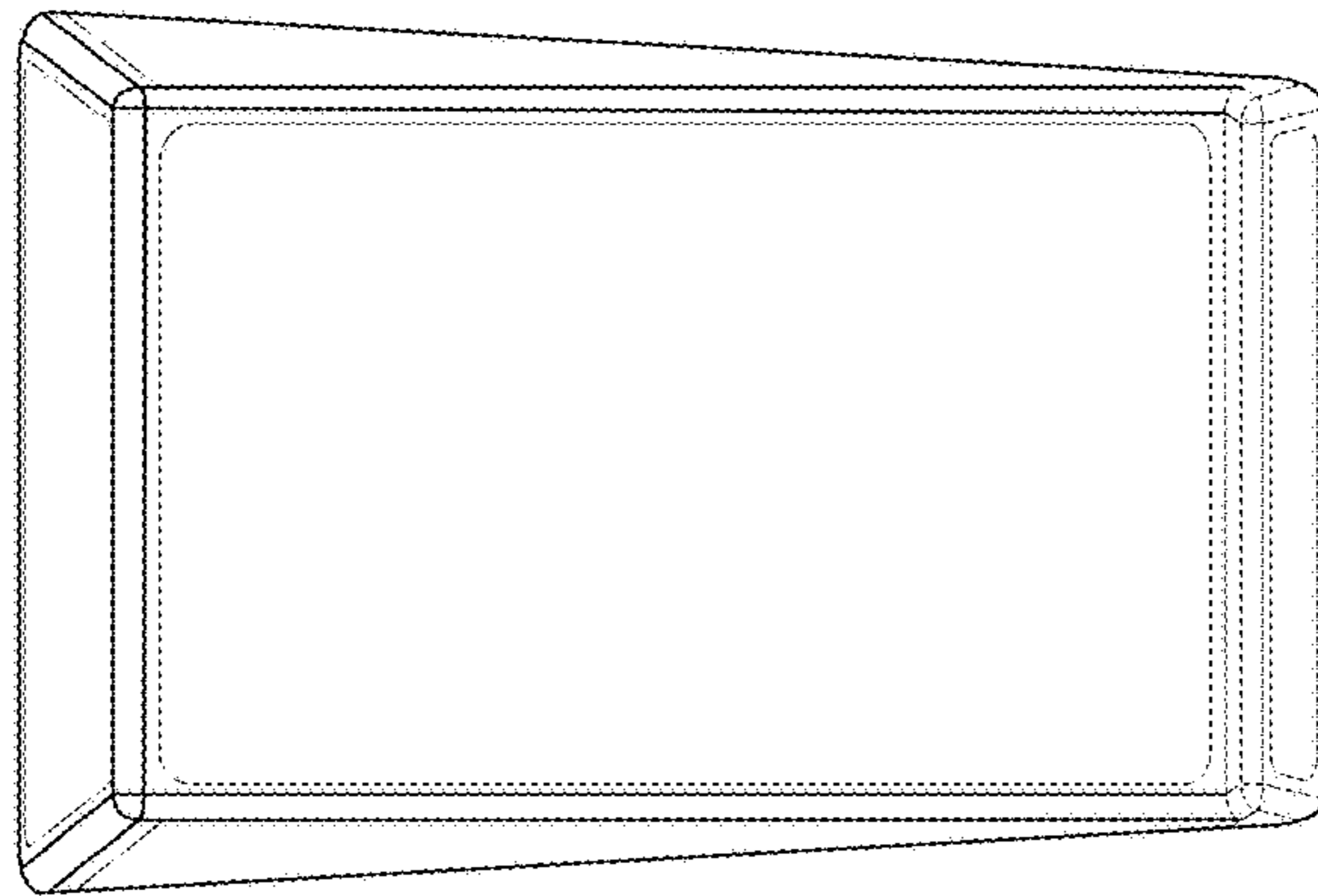
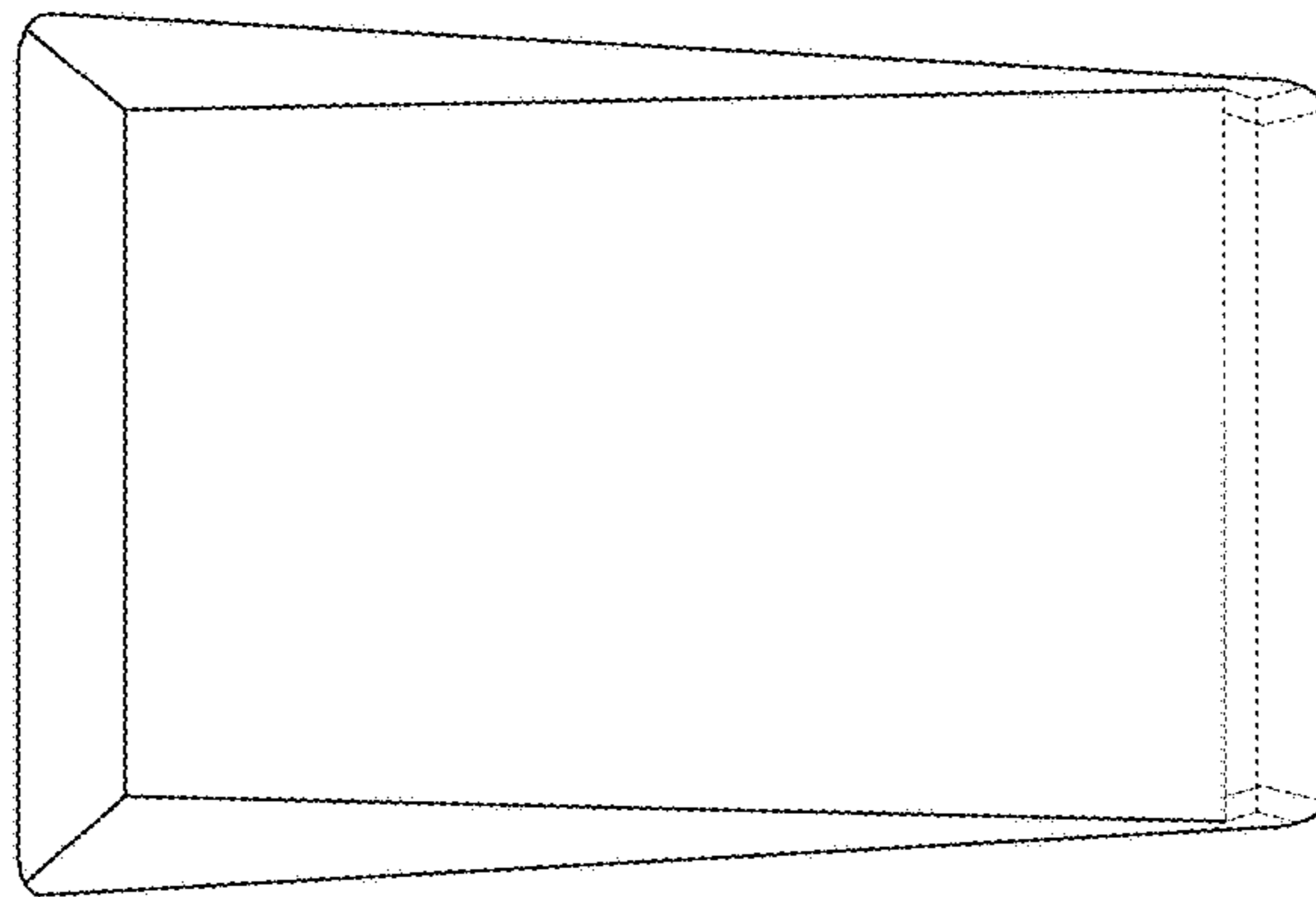


FIGURE 3



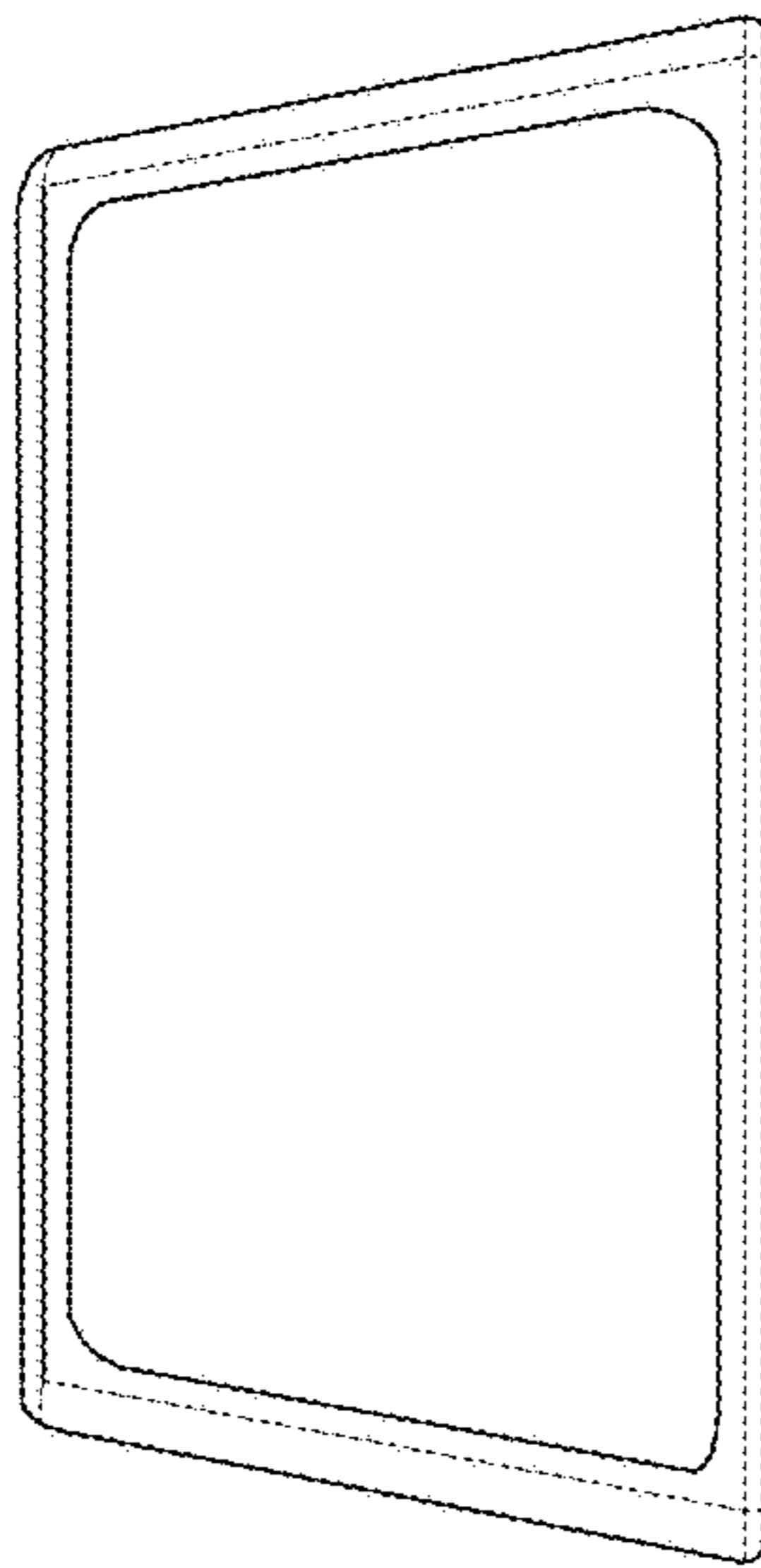


FIGURE 4

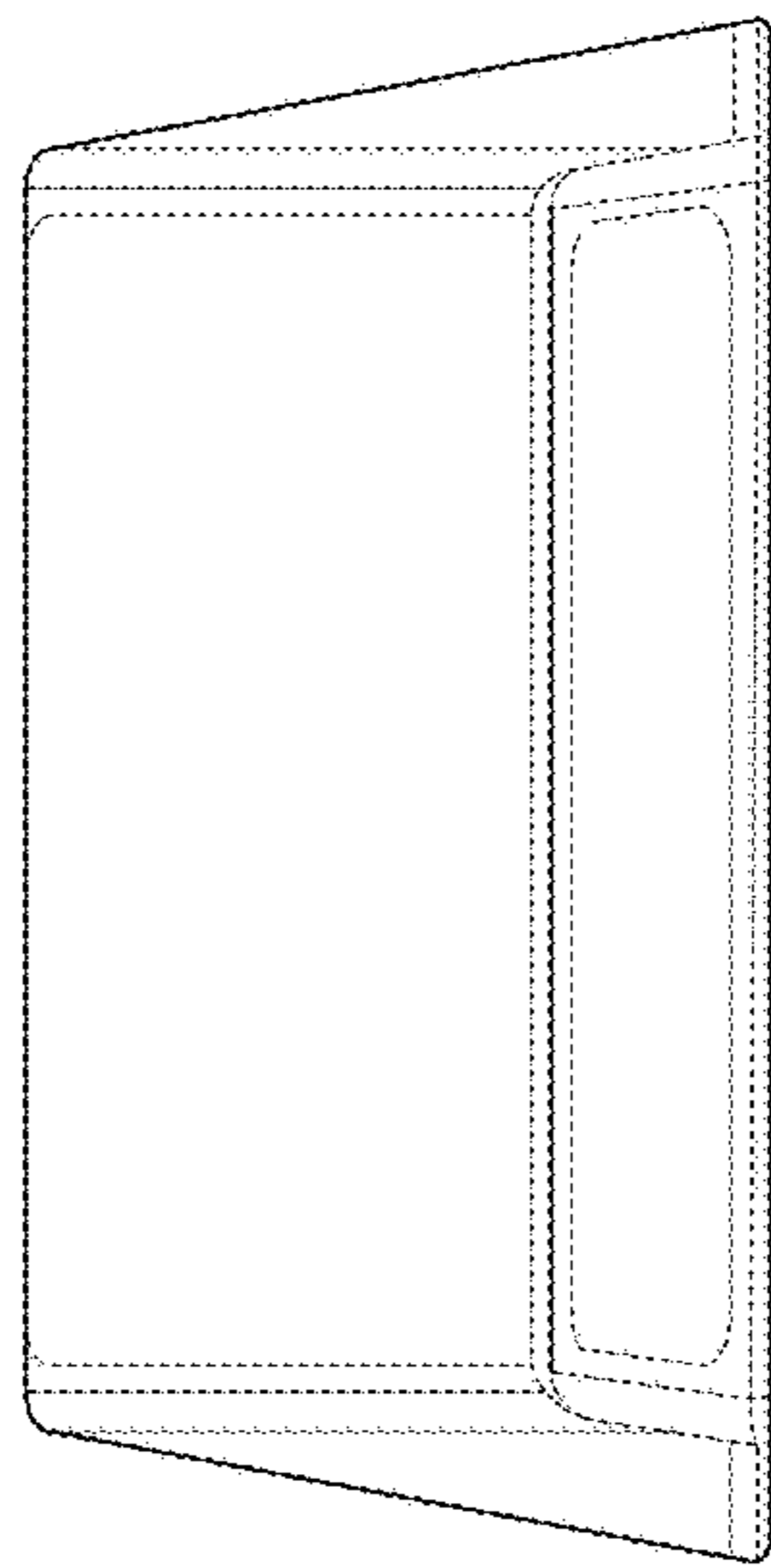


FIGURE 5

FIGURE 6

